



US00D404412S

United States Patent [19]

Yoshii et al.

[11] **Patent Number: Des. 404,412**

[45] **Date of Patent: **Jan. 19, 1999**

[54] **DIGITAL STILL CAMERA**

[75] Inventors: **Kazuto Yoshii**, Osaka; **Shinji Hioki**, Suita, both of Japan

[73] Assignee: **Sanyo Electric Co., Ltd.**, Moriguchi, Japan

[**] Term: **14 Years**

[21] Appl. No.: **82,529**

[22] Filed: **Jan. 23, 1998**

[30] Foreign Application Priority Data

Aug. 5, 1997 [JP] Japan 9-63982

[51] **LOC (6) Cl.** **16-01**

[52] **U.S. Cl.** **D16/202; D16/212**

[58] **Field of Search** D16/200-205, D16/208, 209, 211-213, 216-218; 348/373-376; 358/909.1; 396/535-543

[56] References Cited

U.S. PATENT DOCUMENTS

D. 359,501 6/1995 Hamamura D16/209

D. 385,569 10/1997 Takimura D16/202

D. 387,078 12/1997 Akita D16/202
D. 392,659 3/1998 Takano D16/202
4,556,304 12/1985 Fukuda 396/448

Primary Examiner—Ted Shooman
Assistant Examiner—Adir Aronovich
Attorney, Agent, or Firm—Darby & Darby

[57] CLAIM

The ornamental design for a digital still camera, as shown and described.

DESCRIPTION

FIG. 1 is a top, front, left perspective view, with a lens cover open, of a digital still camera showing our new design; FIG. 2 is a top, front, left perspective view, with the lens cover closed, of the digital still camera; FIG. 3 is a front elevational view thereof with the lens cover open; FIG. 4 is a rear elevational view thereof; FIG. 5 is a top plan view thereof, with the lens cover open; FIG. 6 is a bottom plan view thereof with the lens cover open; FIG. 7 is a right side elevational view thereof; and, FIG. 8 is a left side elevational view thereof.

1 Claim, 3 Drawing Sheets

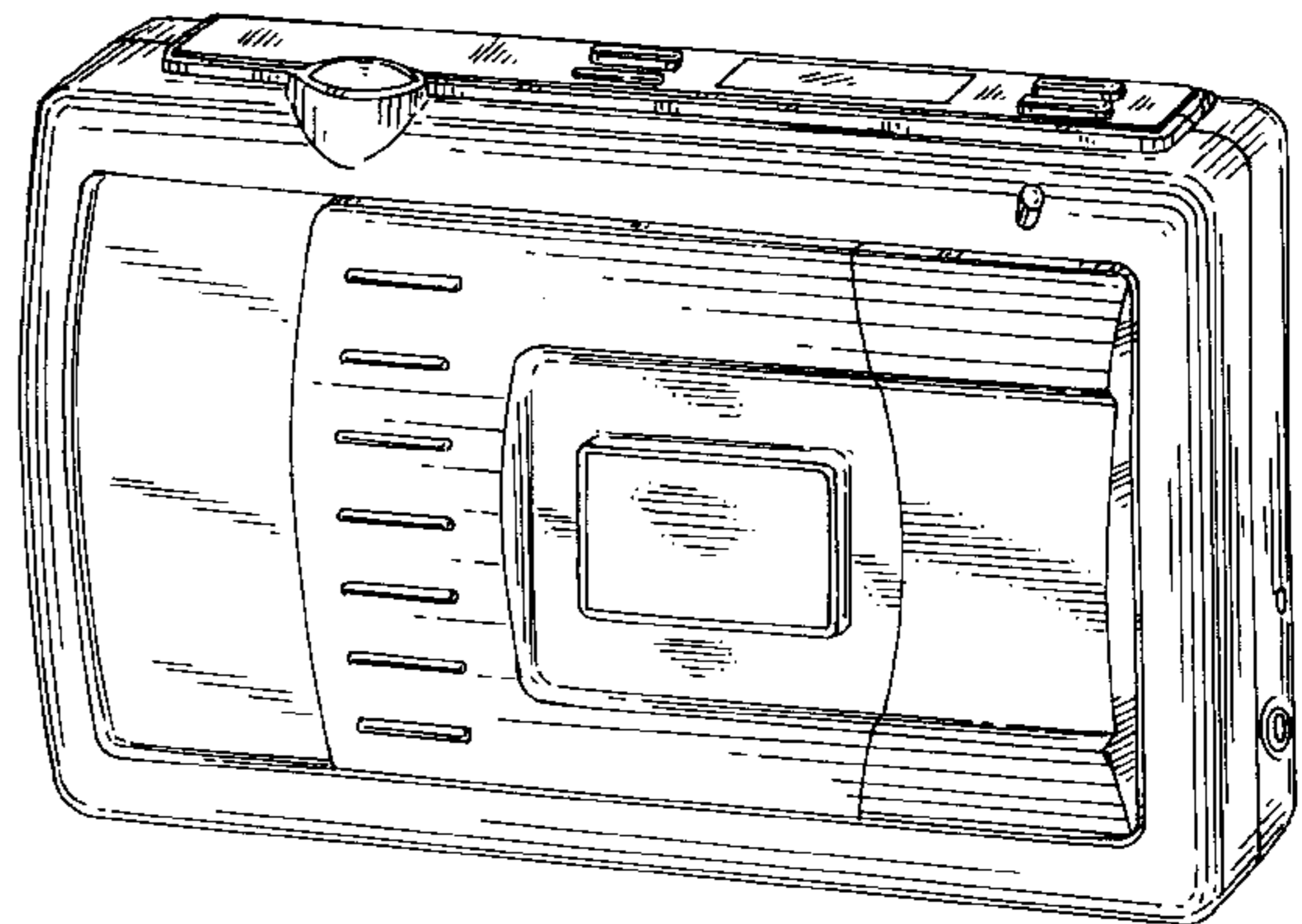
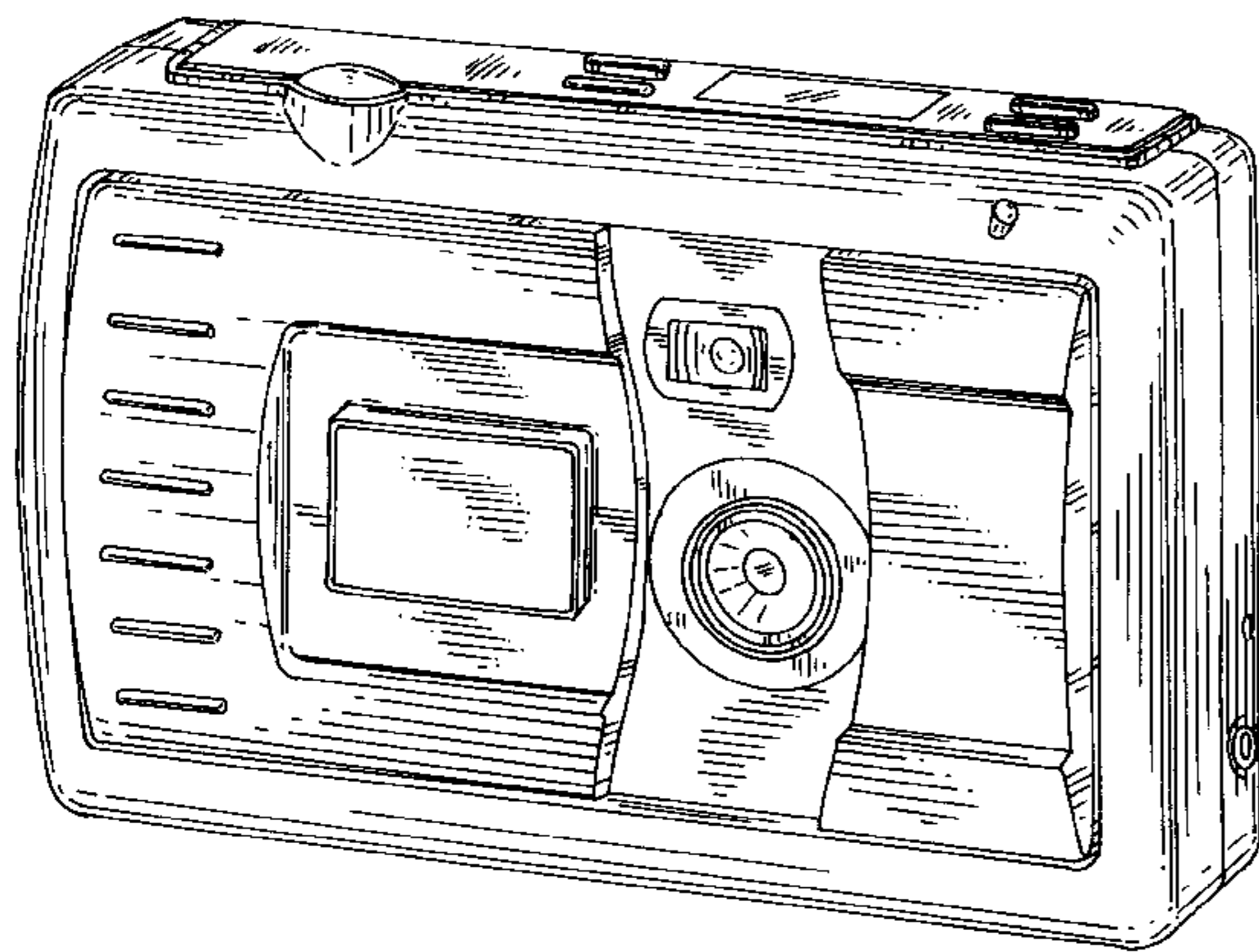


FIG. 1

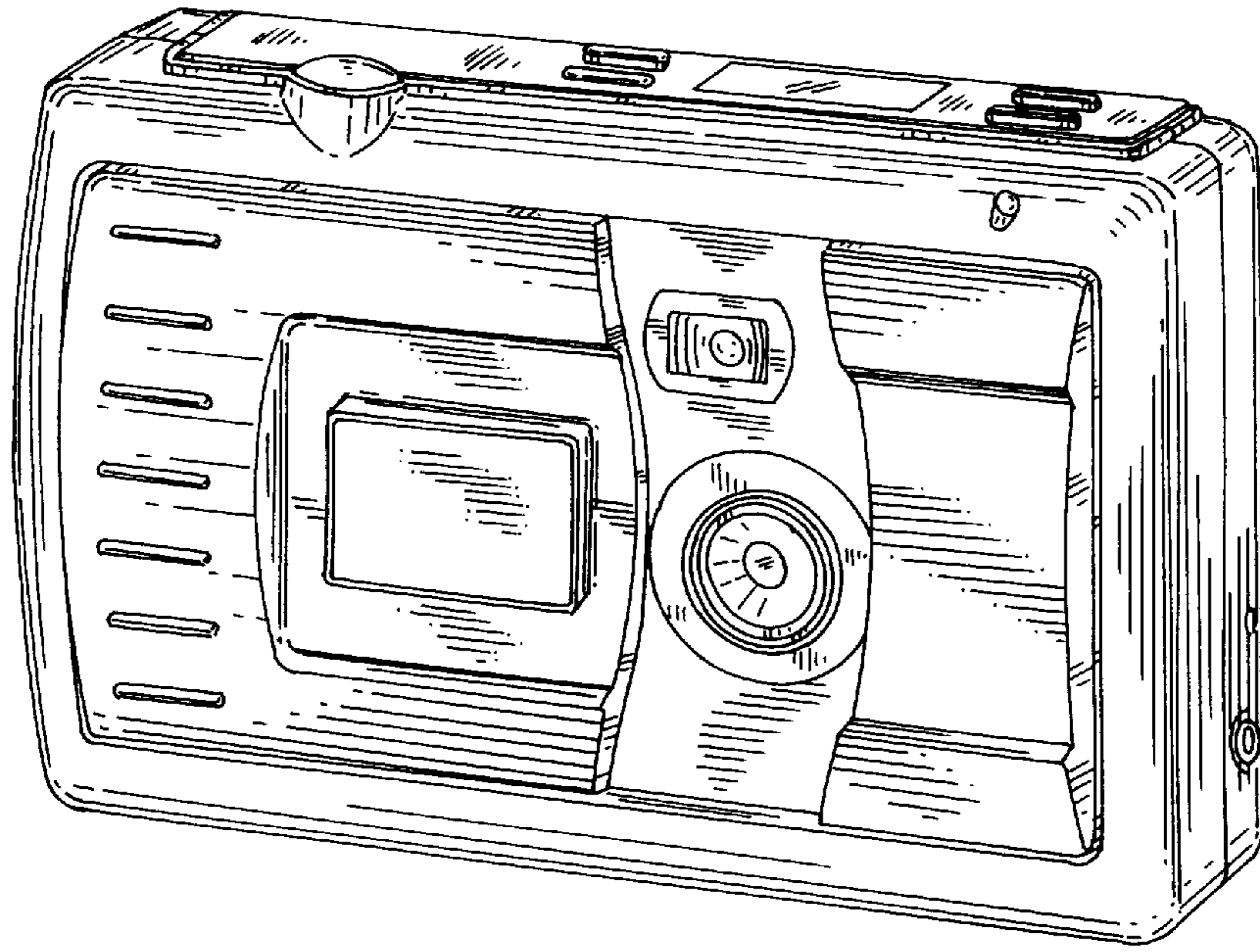


FIG. 2

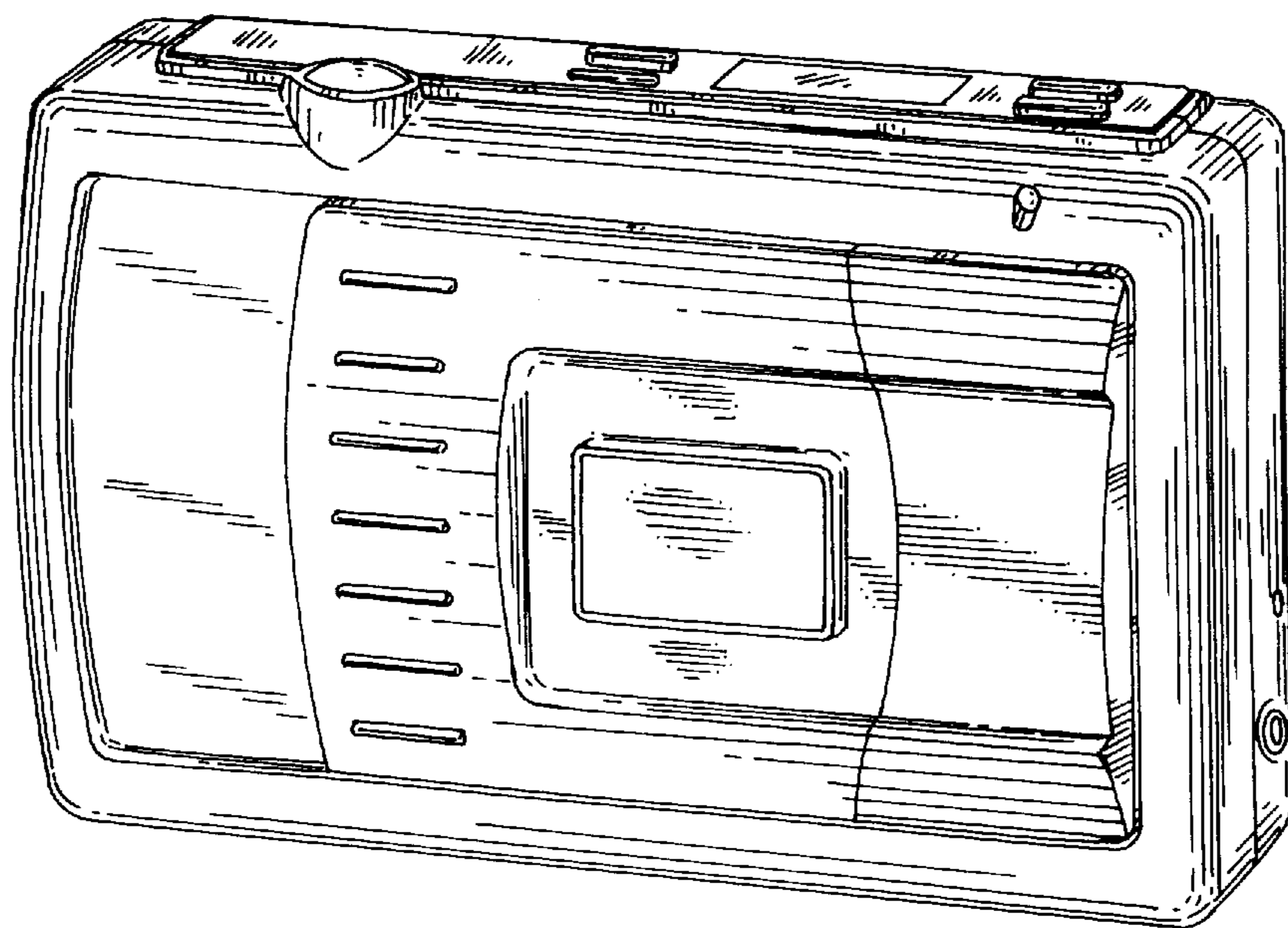


FIG. 3

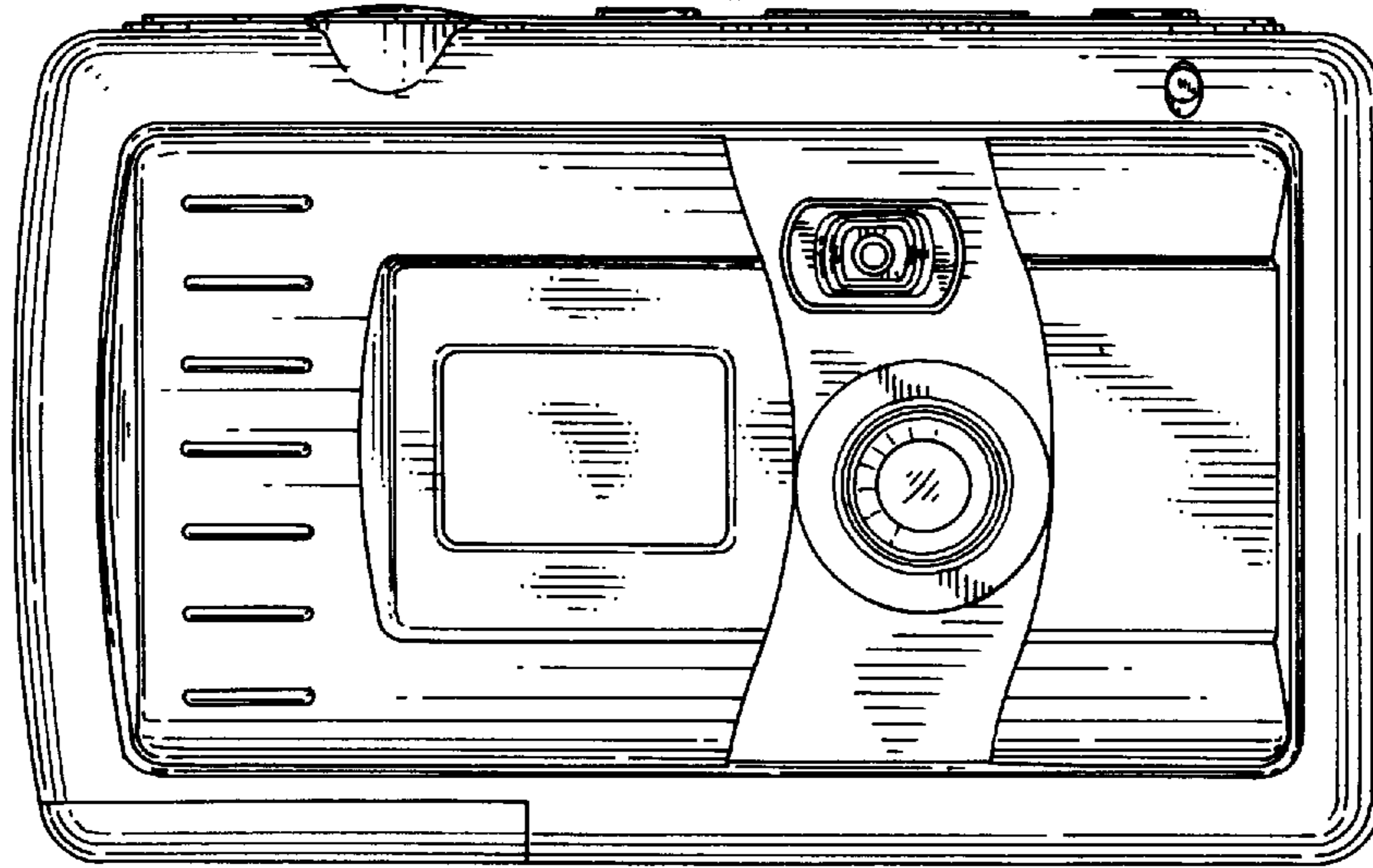


FIG. 4

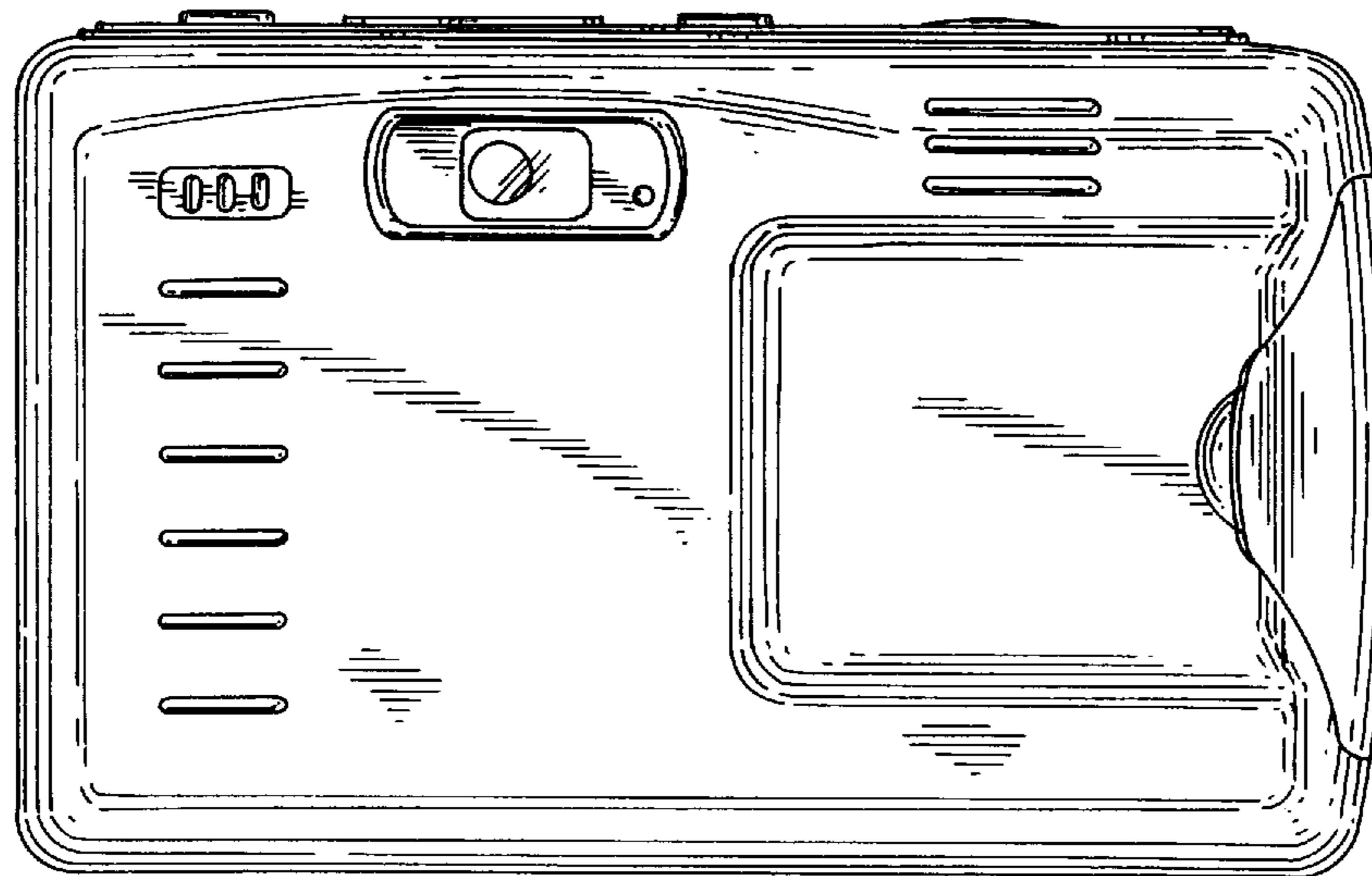


FIG. 5

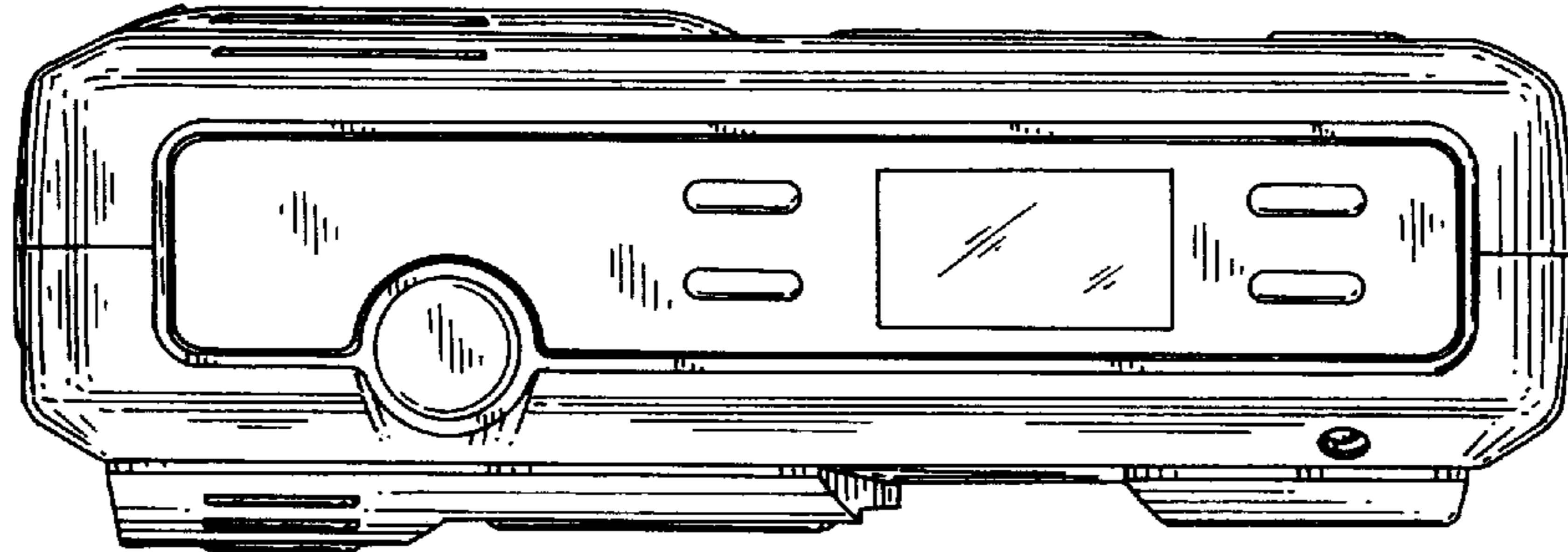


FIG. 6

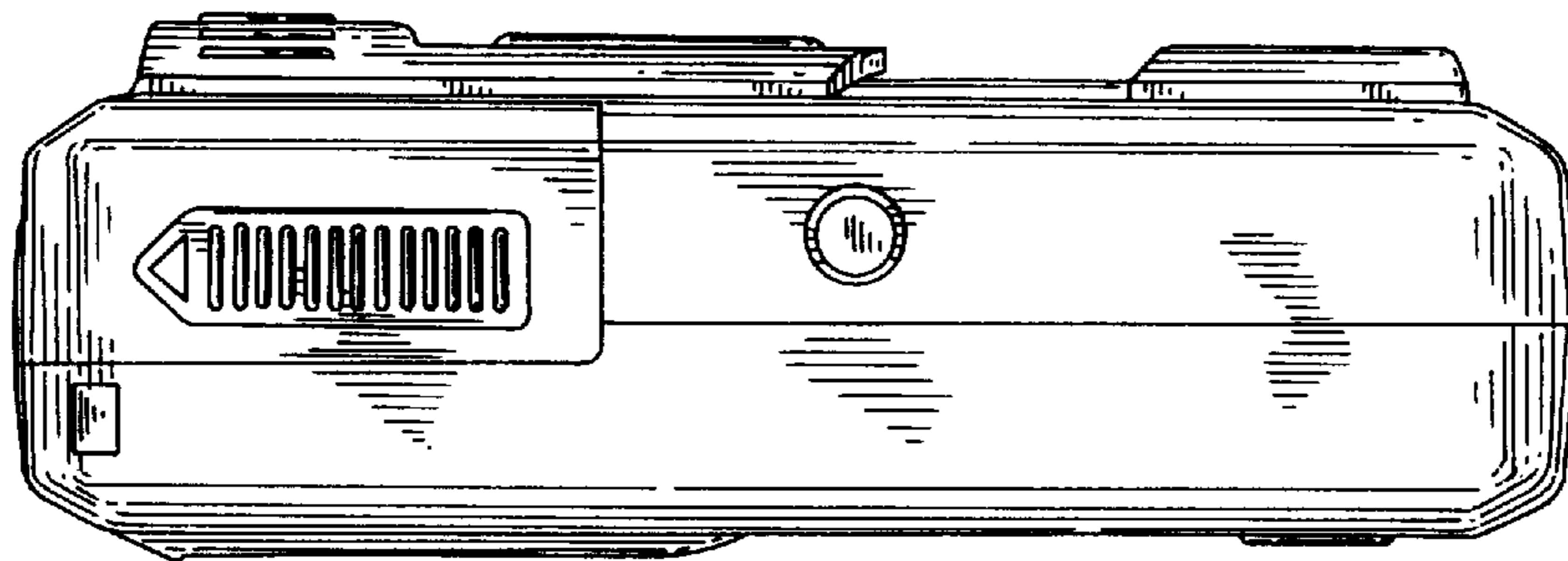


FIG. 7

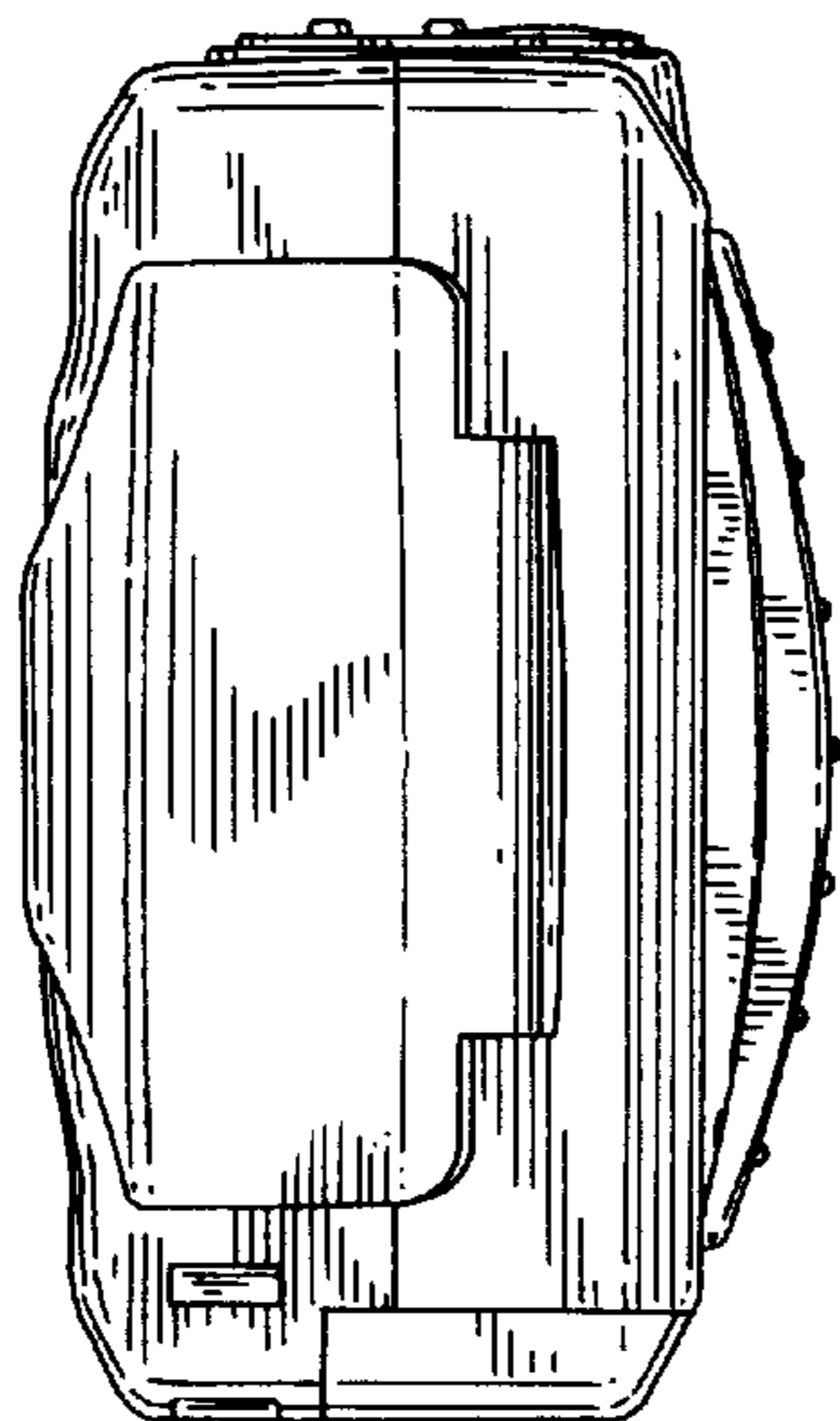


FIG. 8

