



US00D404411S

# United States Patent [19]

Swayze et al.

[11] **Patent Number: Des. 404,411**

[45] **Date of Patent: \*\*Jan. 19, 1999**

[54] **ELECTRONIC CAMERA WITH FIXED LENS**

D. 392,659	3/1998	Takano	.....	D16/202
D. 394,444	5/1998	Hoshi et al.	.....	D16/209
4,873,576	10/1989	Hattori et al.	.....	348/373

[75] Inventors: **Samuel F. Swayze**, Fairport, N.Y.; **G. Kenneth Smithborne**, Minden, Nev.

[73] Assignee: **Eastman Kodak Company**, Rochester, N.Y.

*Primary Examiner*—Philip S. Hyder  
*Assistant Examiner*—Adir Aronovich  
*Attorney, Agent, or Firm*—David M. Woods

[\*\*] Term: **14 Years**

## [57] CLAIM

[21] Appl. No.: **82,407**

The ornamental design for an electronic camera with fixed lens, as shown.

[22] Filed: **Jan. 21, 1998**

## DESCRIPTION

[51] **LOC (6) Cl.** ..... **16-01**

[52] **U.S. Cl.** ..... **D16/209; D16/209**

[58] **Field of Search** ..... D16/200–205,  
D16/208, 209, 216–218; 348/373–376;  
358/906, 909.1; 396/535–543

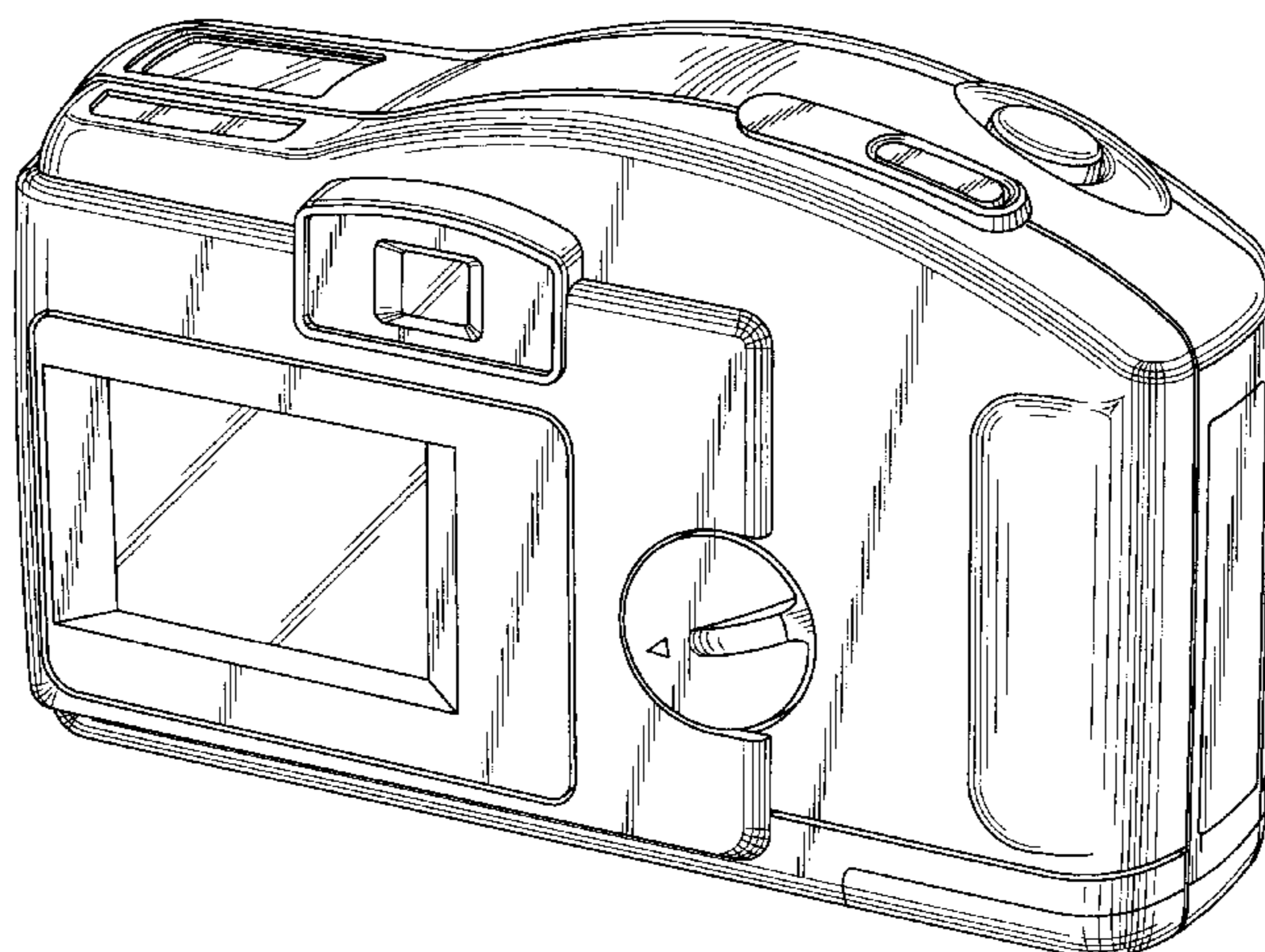
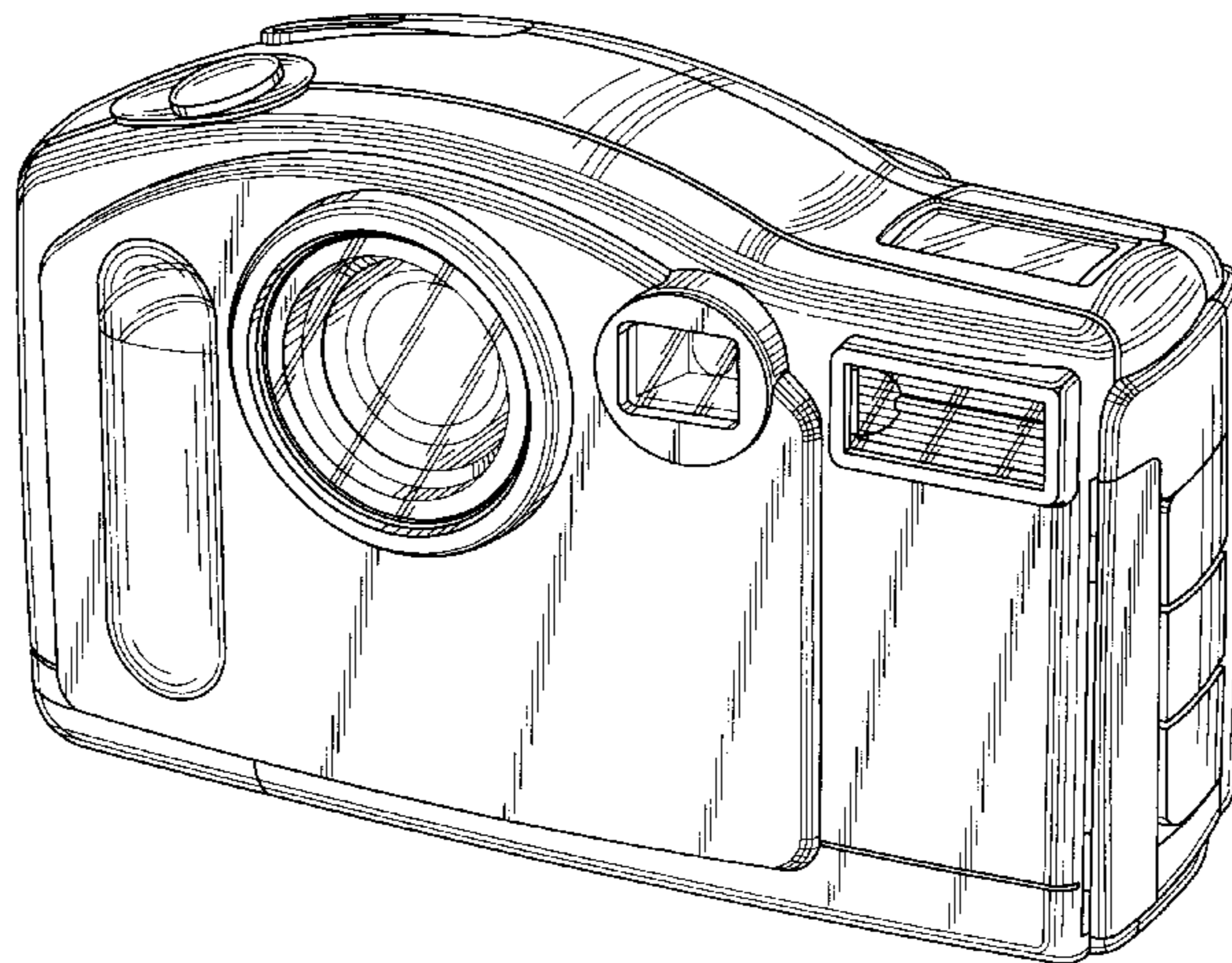
FIG. 1 is a front, top, right-side perspective view of an electronic camera, showing our new design; FIG. 2 is a rear, top, left-side perspective view thereof; FIG. 3 is a front elevation view thereof; FIG. 4 is a rear elevation view thereof; FIG. 5 is a top plan view thereof; FIG. 6 is a bottom plan view thereof; FIG. 7 is a right-side elevation view thereof; and, FIG. 8 is a left-side elevation view thereof.

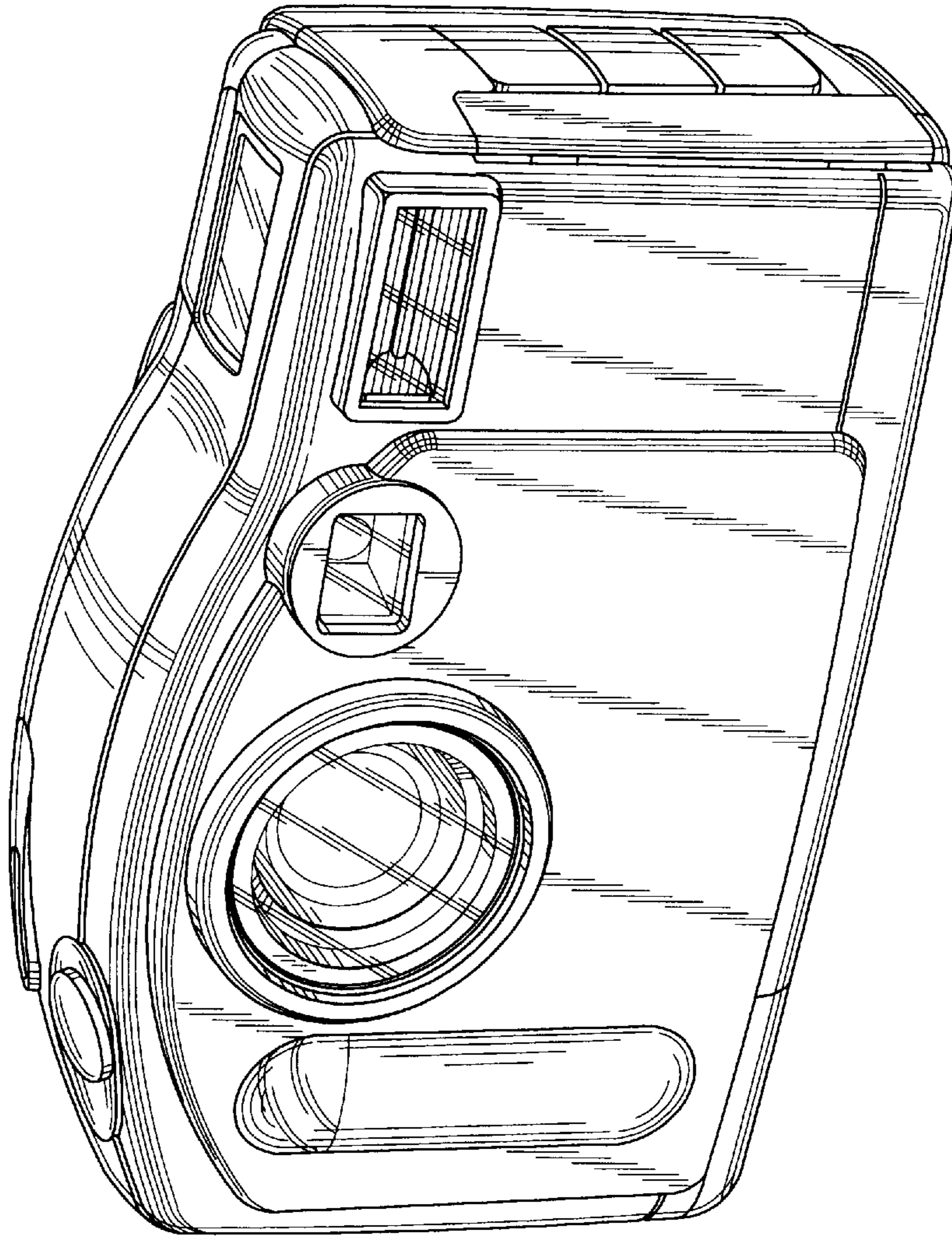
## [56] References Cited

### U.S. PATENT DOCUMENTS

D. 371,377	7/1996	Miyahara	.....	D16/202
D. 385,569	10/1997	Takimura	.....	D16/202
D. 388,449	12/1997	Ohi et al.	.....	D16/202

**1 Claim, 8 Drawing Sheets**





*FIG. 1*

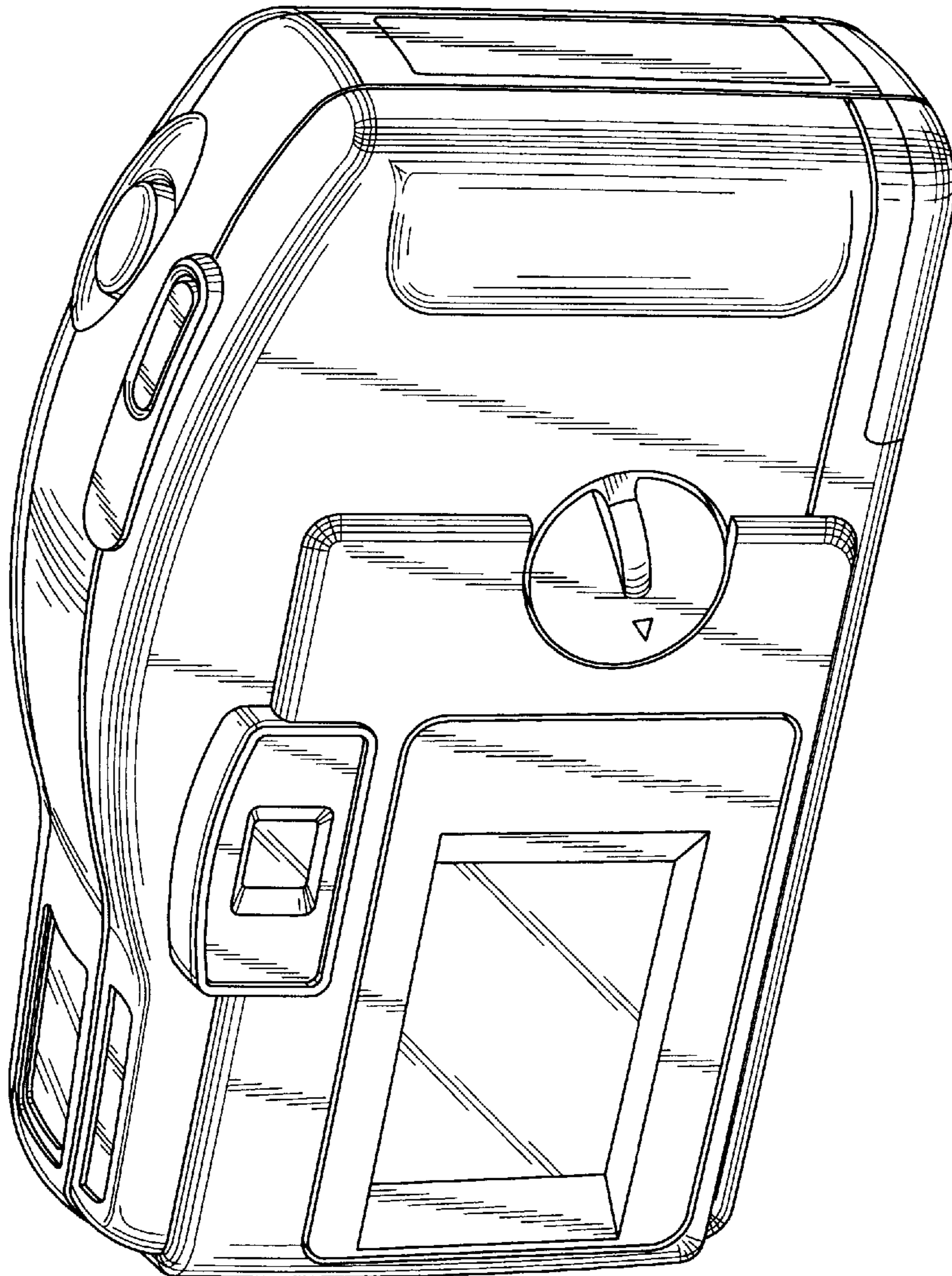


FIG. 2

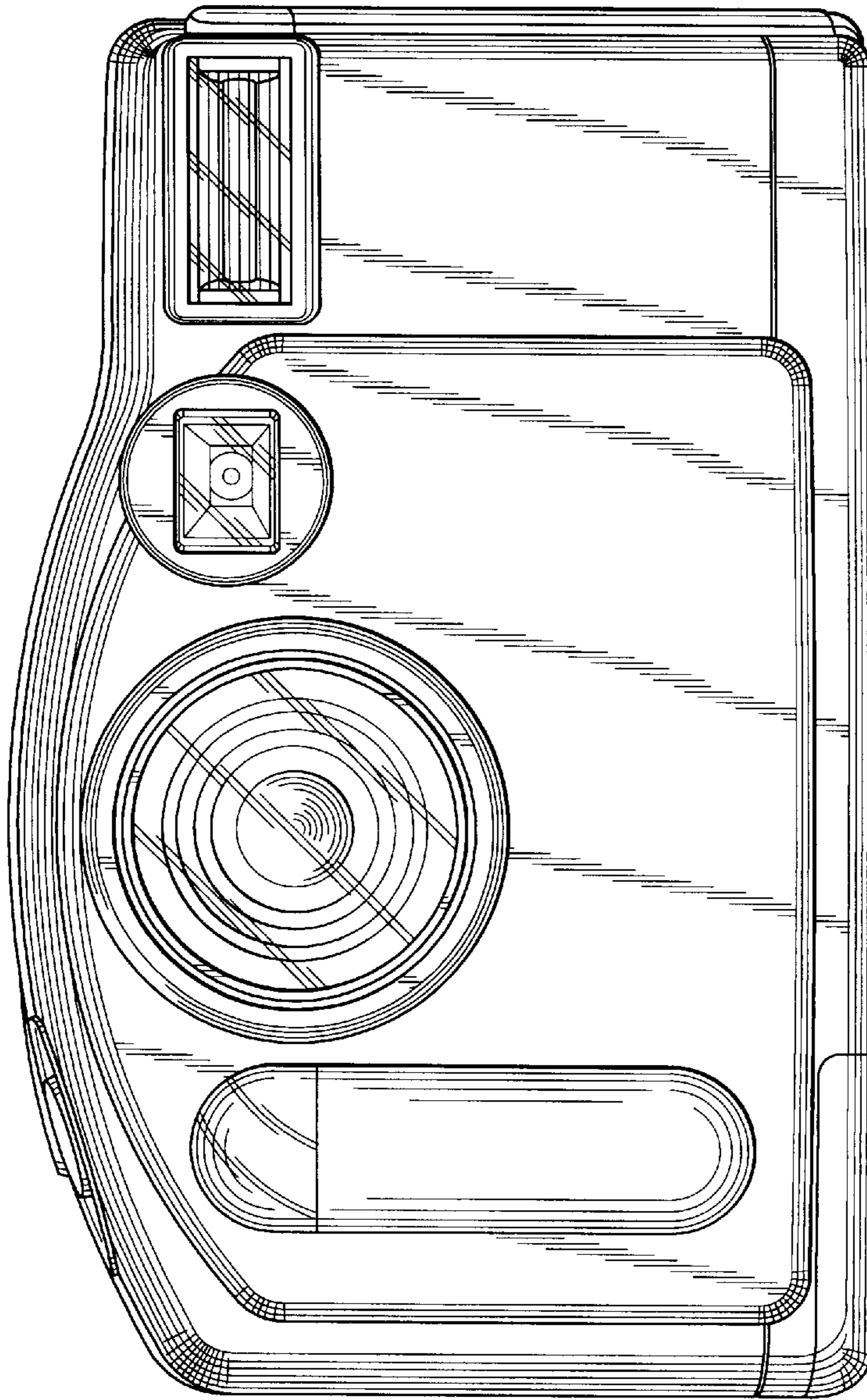


FIG. 3

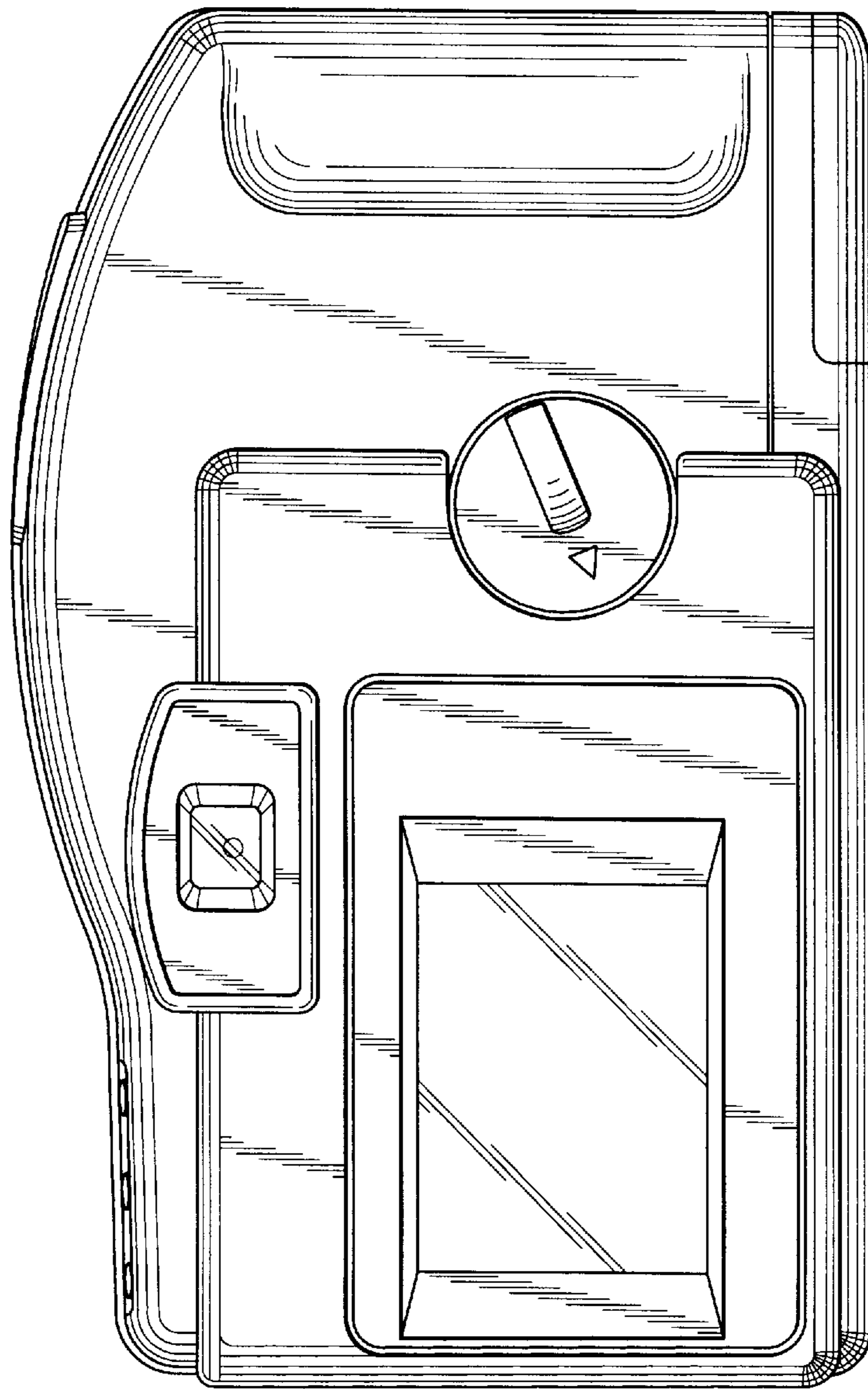
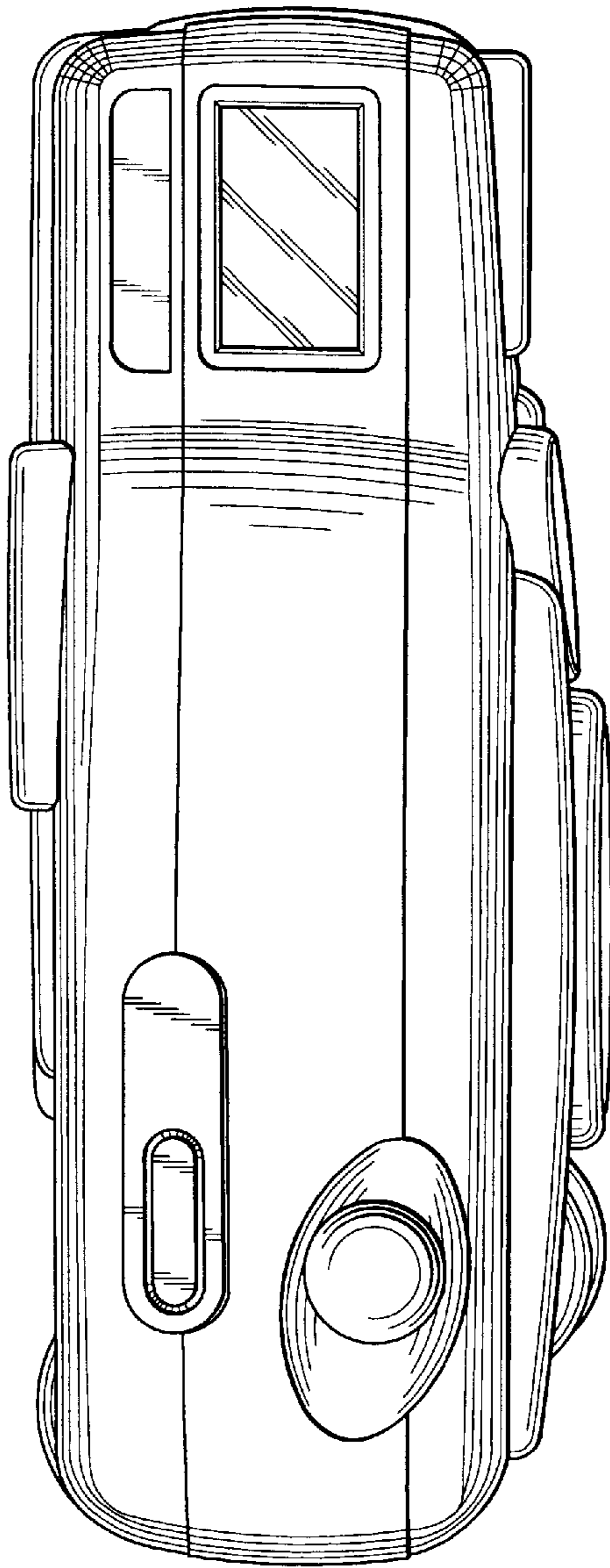


FIG. 4



*FIG. 5*

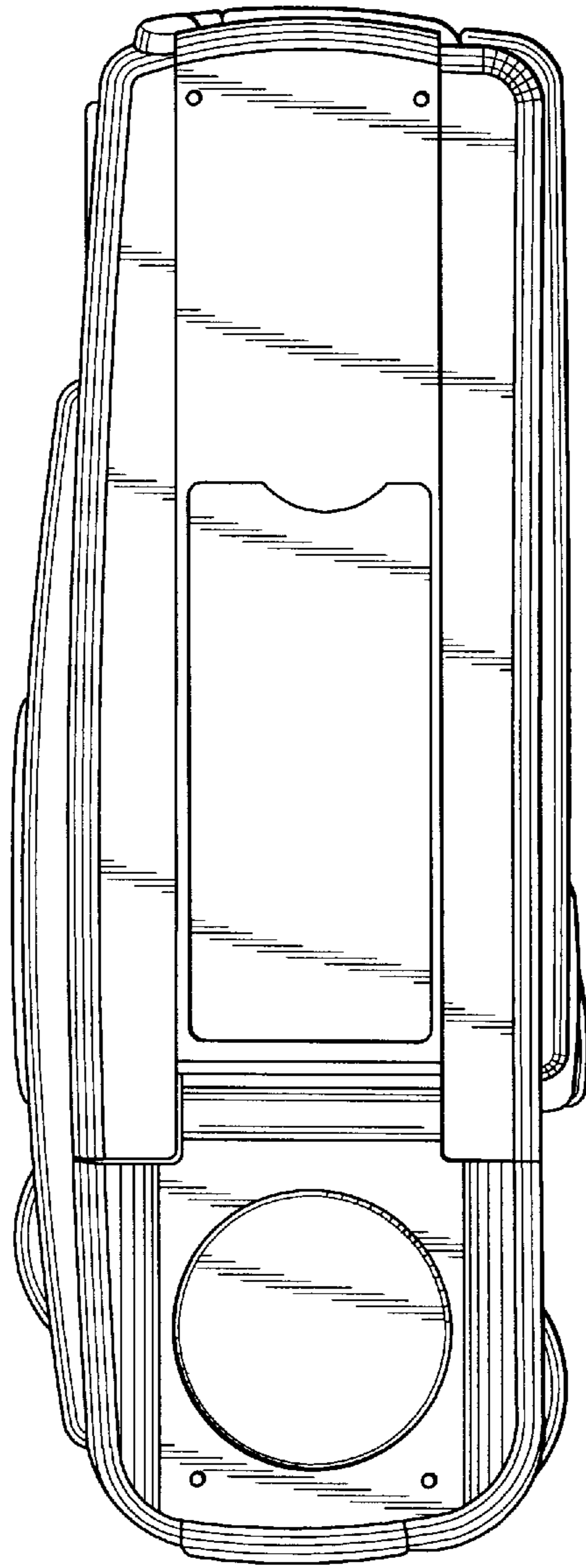
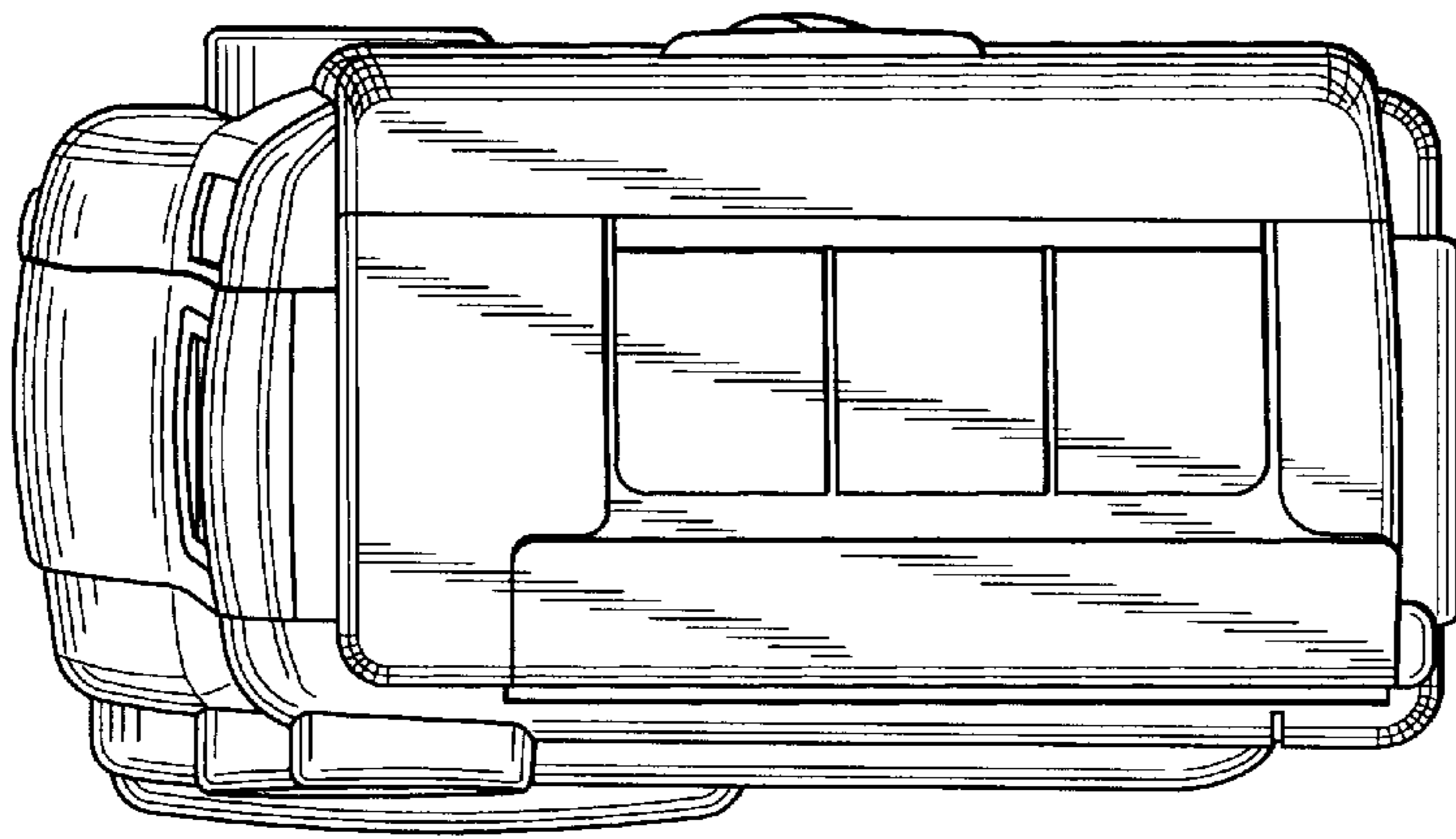
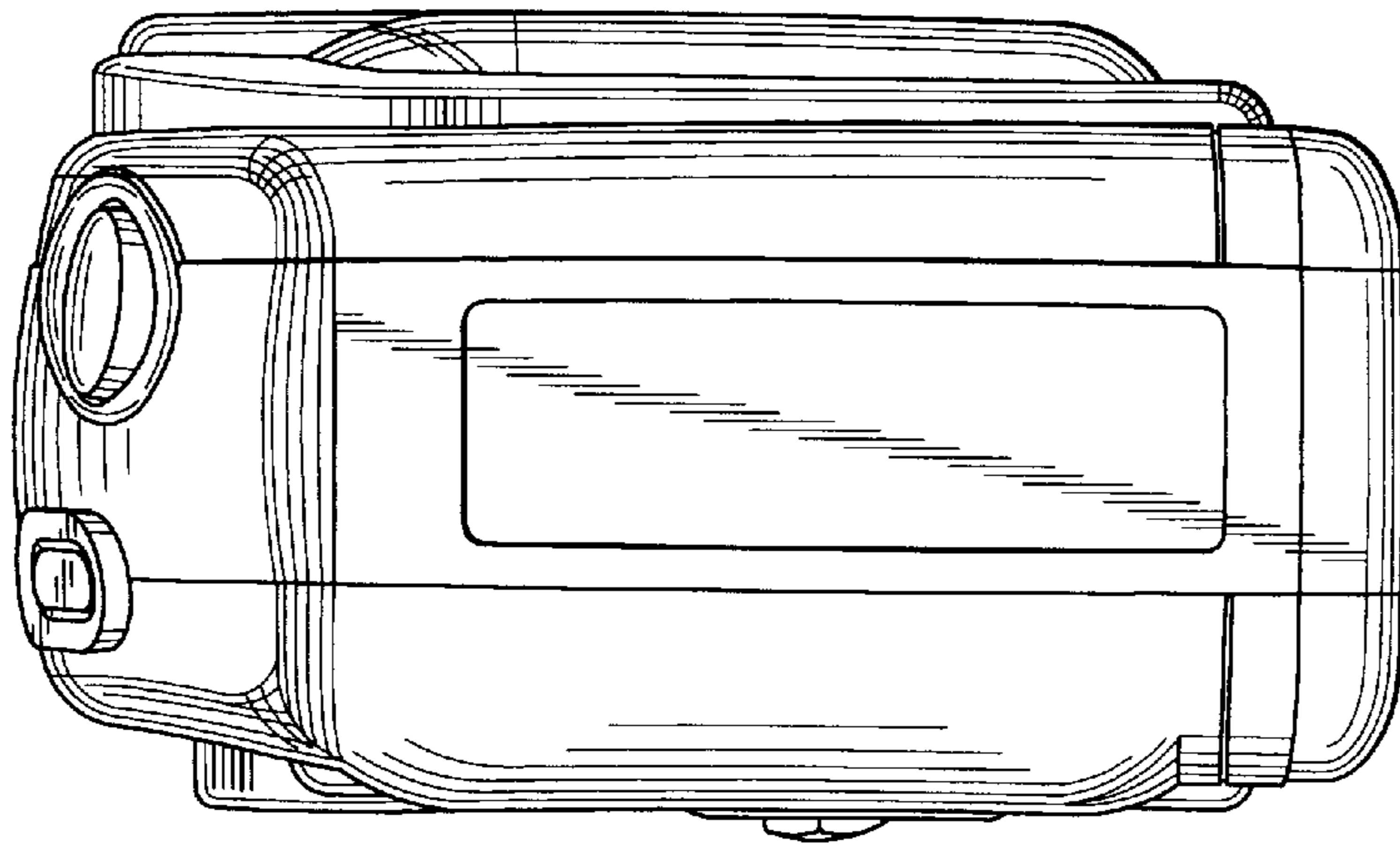


FIG. 6



*FIG. 7*





**FIG. 8**