



US00D404409S

# United States Patent [19] Mandellos

[11] **Patent Number: Des. 404,409**

[45] **Date of Patent: \*\*Jan. 19, 1999**

[54] **ELLIPTICAL RIB FOR SHUTTERED IRRADIATOR SYSTEM**

[75] Inventor: **Panagiotis Mandellos**, Glencoe, Ill.

[73] Assignee: **Con-Trol-Cure, Inc.**, Chicago, Ill.

[\*\*] Term: **14 Years**

[21] Appl. No.: **74,781**

[22] Filed: **Aug. 4, 1997**

[51] **LOC (6) Cl.** ..... **15-99**

[52] **U.S. Cl.** ..... **D15/199**

[58] **Field of Search** ..... D10/46; D15/199;  
250/455.11, 504 H, 504 R, 454.11, 492.1,  
453.11, 497.1, 496.1, 492.2-492.3; 315/39;  
34/4; 219/347

[56] **References Cited**

**U.S. PATENT DOCUMENTS**

3,831,289	8/1974	Knight	34/4
3,872,349	3/1975	Spero et al.	315/39
3,983,039	9/1976	Eastland	250/492
4,507,587	3/1985	Wood et al.	315/39
4,532,427	7/1985	Matthews et al.	250/492
4,665,627	5/1987	Wilde et al.	34/4

4,710,638	12/1987	Wood	250/492.1
5,049,725	9/1991	Abramson	219/347
5,426,308	6/1995	Sudduth et al.	250/504
5,440,137	8/1995	Sowers	250/504
5,788,940	8/1998	Cichas et al.	250/504 R

**OTHER PUBLICATIONS**

*UV Process Supply, Inc.* Catalog, copyright 1994.

*Primary Examiner*—Antoine Duval Davis  
*Attorney, Agent, or Firm*—Welsh & Katz, Ltd.; Thomas W. Tolpin

[57] **CLAIM**

The ornamental design for an elliptical rib for a shuttered irradiator system, as shown.

**DESCRIPTION**

FIG. 1 is a perspective view of an elliptical rib for a shuttered irradiator system showing my new design; FIG. 2 is a front view thereof, the back view being identical thereto; FIG. 3 is a top view thereof; FIG. 4 is a right side view thereof, the left side view being identical thereto; and, FIG. 5 is a bottom view thereof.

**1 Claim, 1 Drawing Sheet**

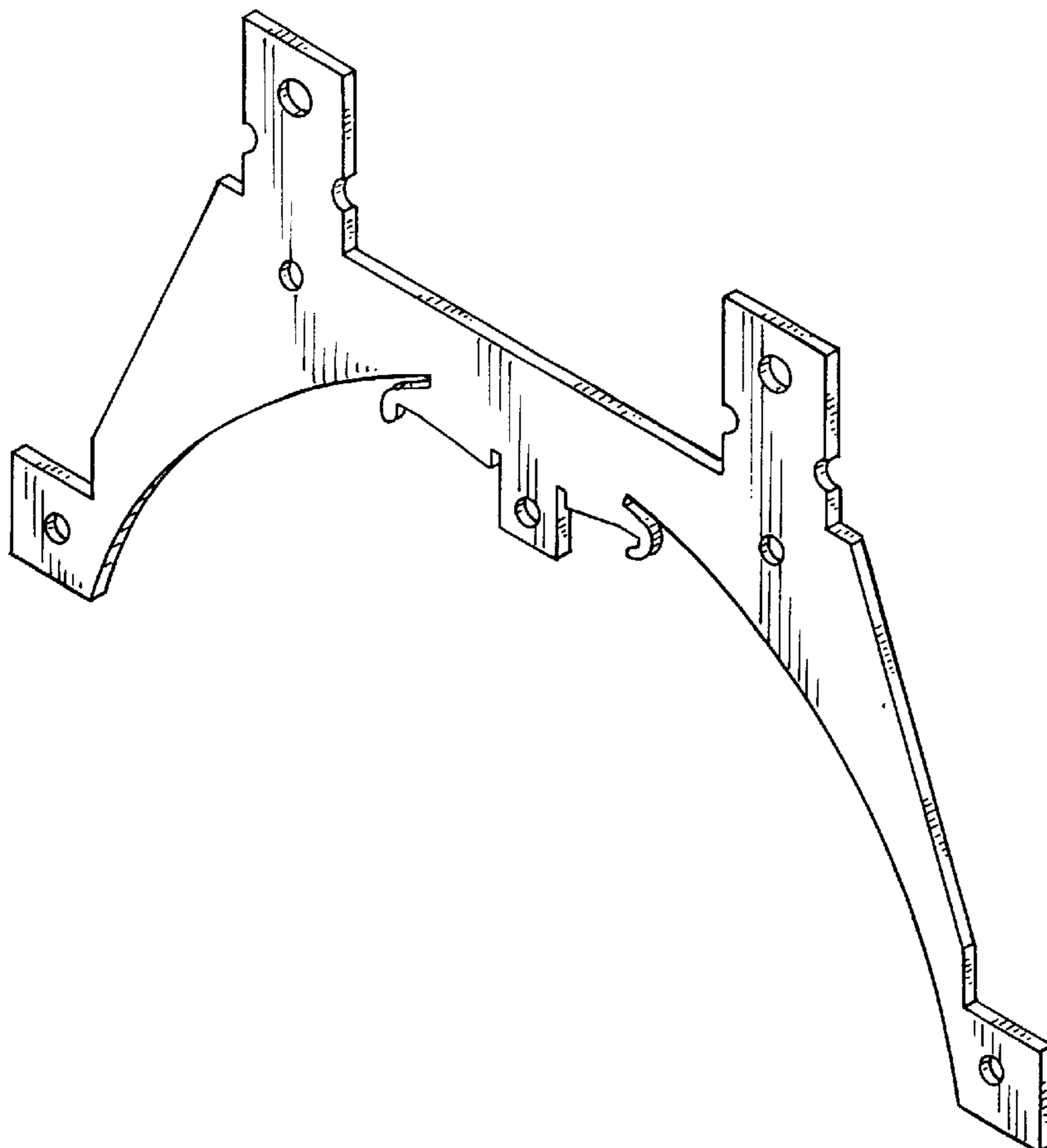


FIG. 1

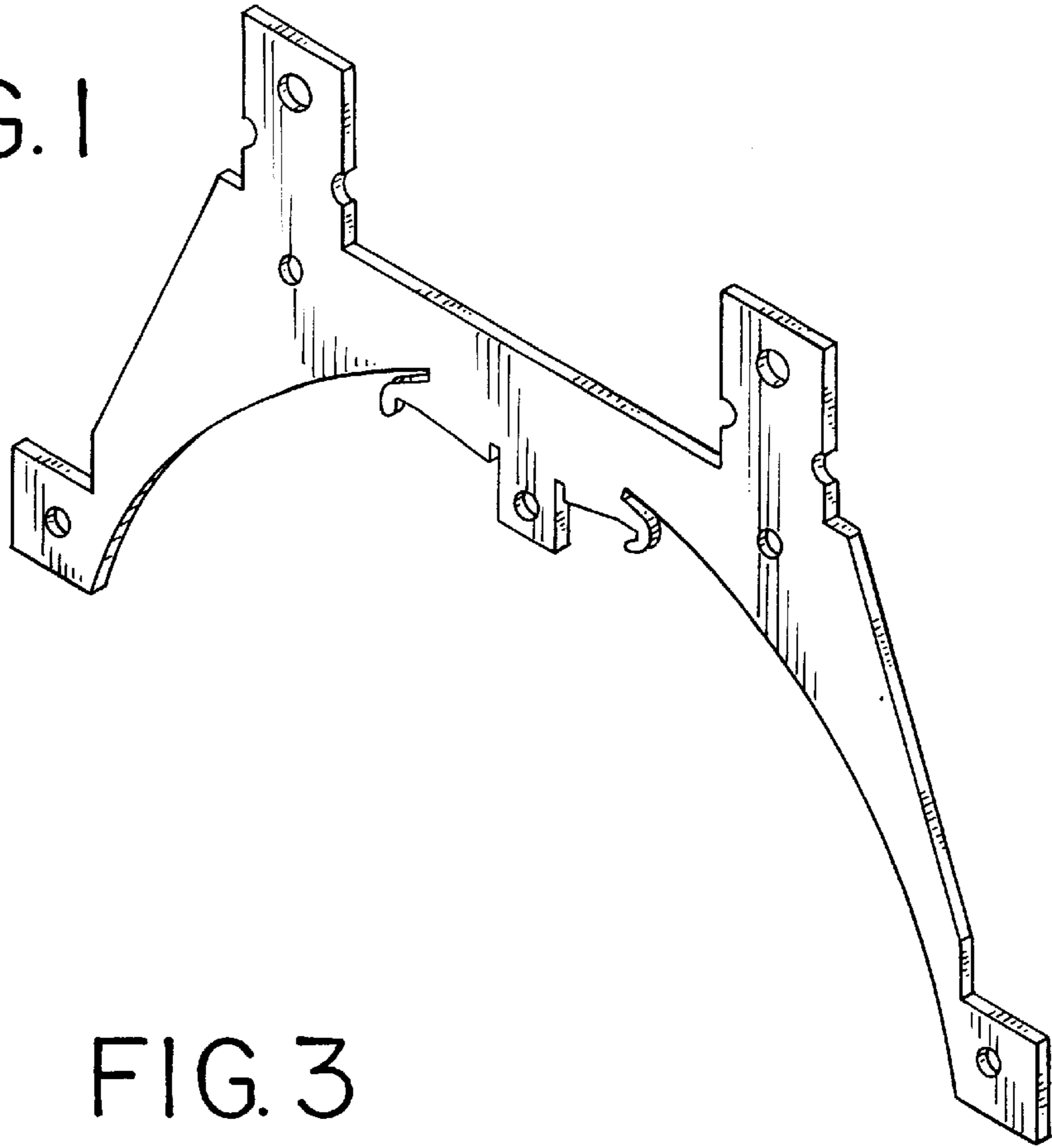


FIG. 3

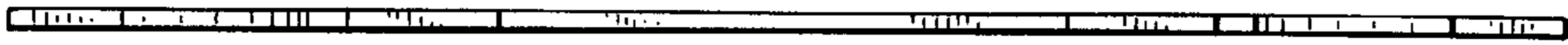


FIG. 2

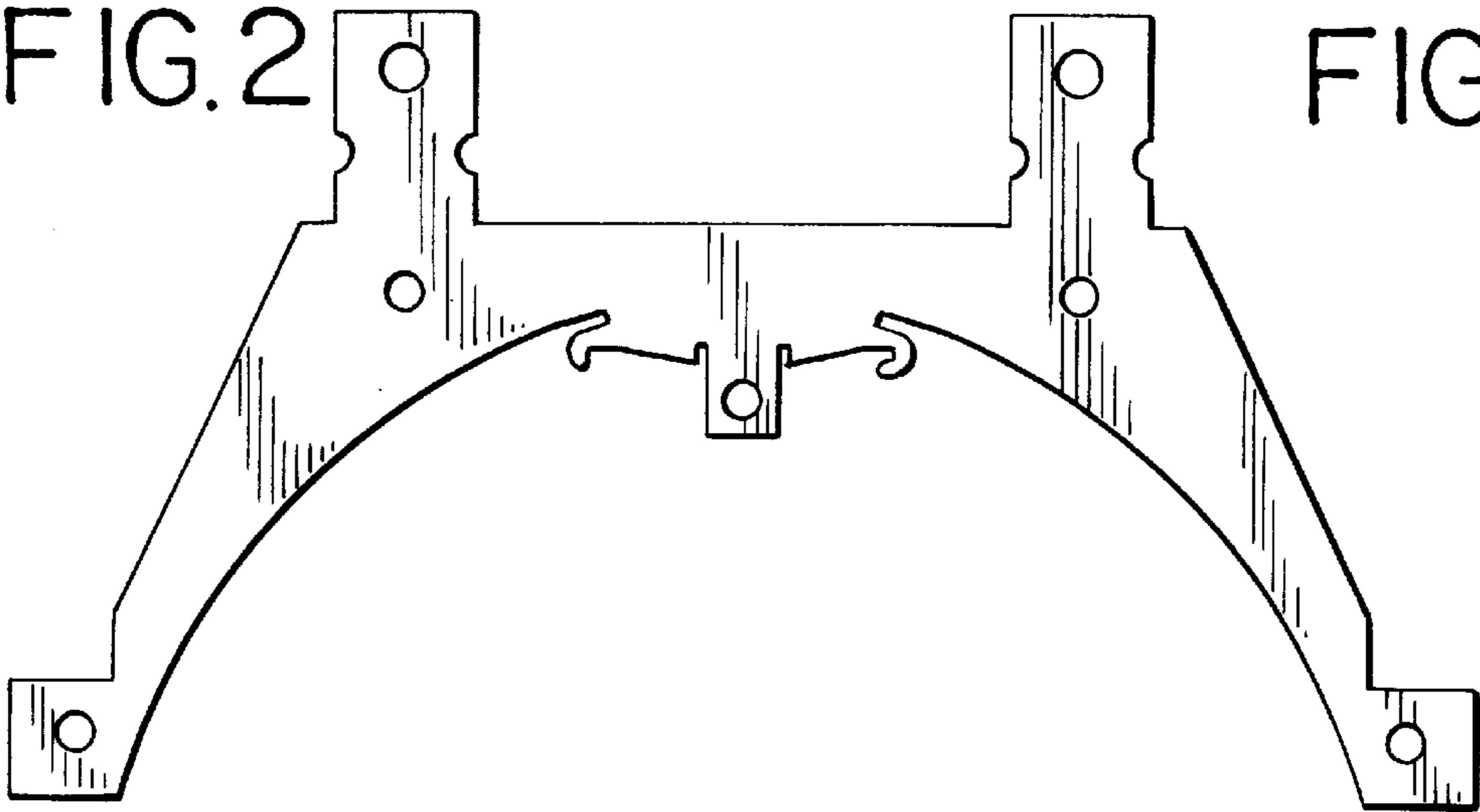


FIG. 4



FIG. 5

