



US00D404408S

United States Patent [19]

Benson

[11] Patent Number: Des. 404,408

[45] Date of Patent: **Jan. 19, 1999

[54] HELIX

[76] Inventor: Steven R. Benson, 5919 S. 350 West
P.O. Box 57547, Murray, Utah 84157

[**] Term: 14 Years

[21] Appl. No.: 67,240

[22] Filed: Feb. 7, 1997

[51] LOC (6) Cl. 15-09

[52] U.S. Cl. D15/148

[58] Field of Search D15/148, 149;
192/54.52, 93 A; 474/8, 10, 17, 19, 21

[56] **References Cited**

U.S. PATENT DOCUMENTS

D. 382,283 8/1997 Benson D15/148

Primary Examiner—Antoine Duval Davis
Attorney, Agent, or Firm—M. Reid Russell

[57] **CLAIM**

The ornamental design for a helix, as shown and described.

DESCRIPTION

FIG. 1 is a perspective view of a helix showing my new design;

FIG. 2 is a top view thereof;

FIG. 3 is a bottom plan view thereof;

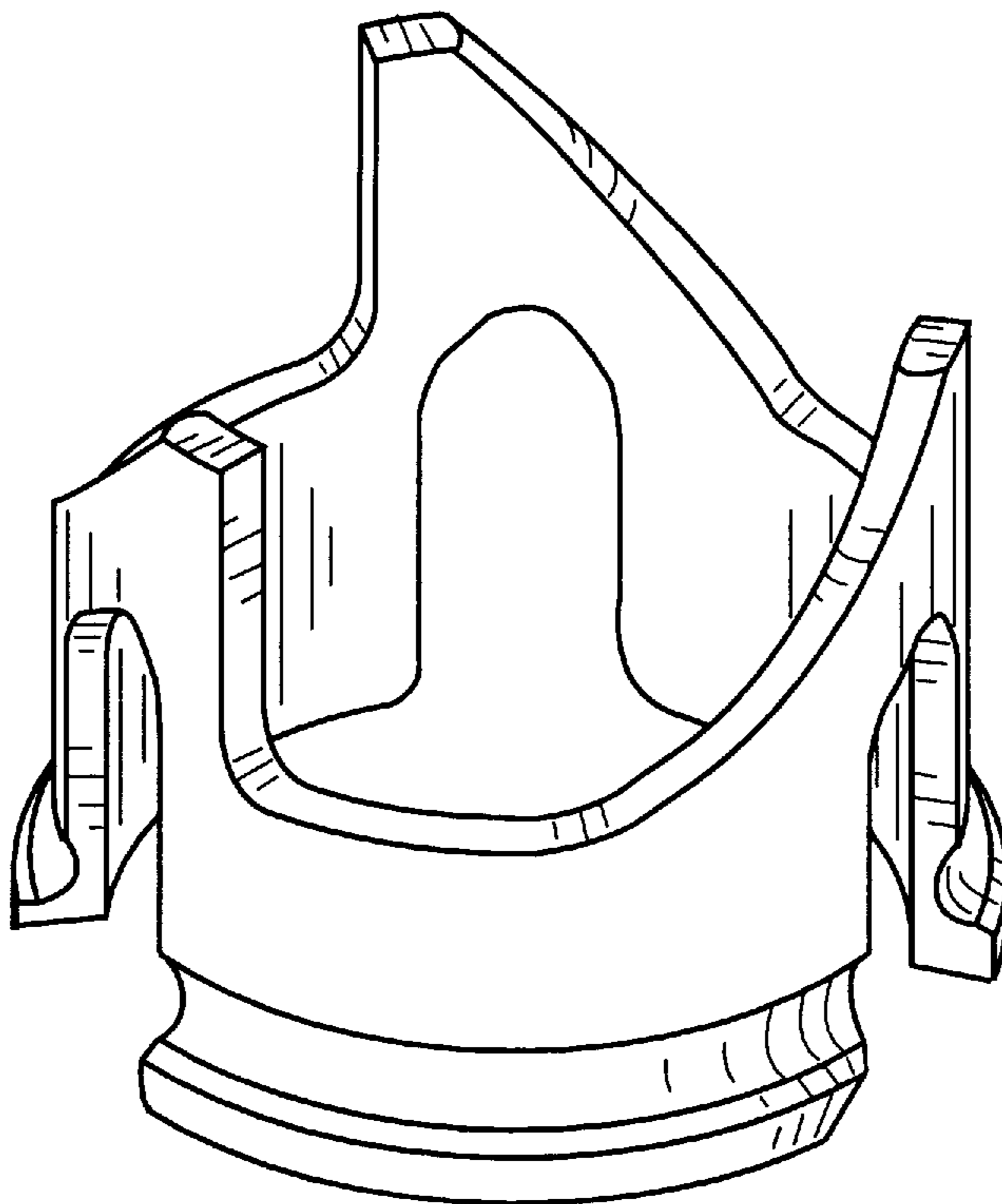
FIG. 4 is a front elevation view thereof;

FIG. 5 is a rear elevation view thereof;

FIG. 6 is a right side elevation view thereof; and,

FIG. 7 is a left side view thereof.

1 Claim, 3 Drawing Sheets



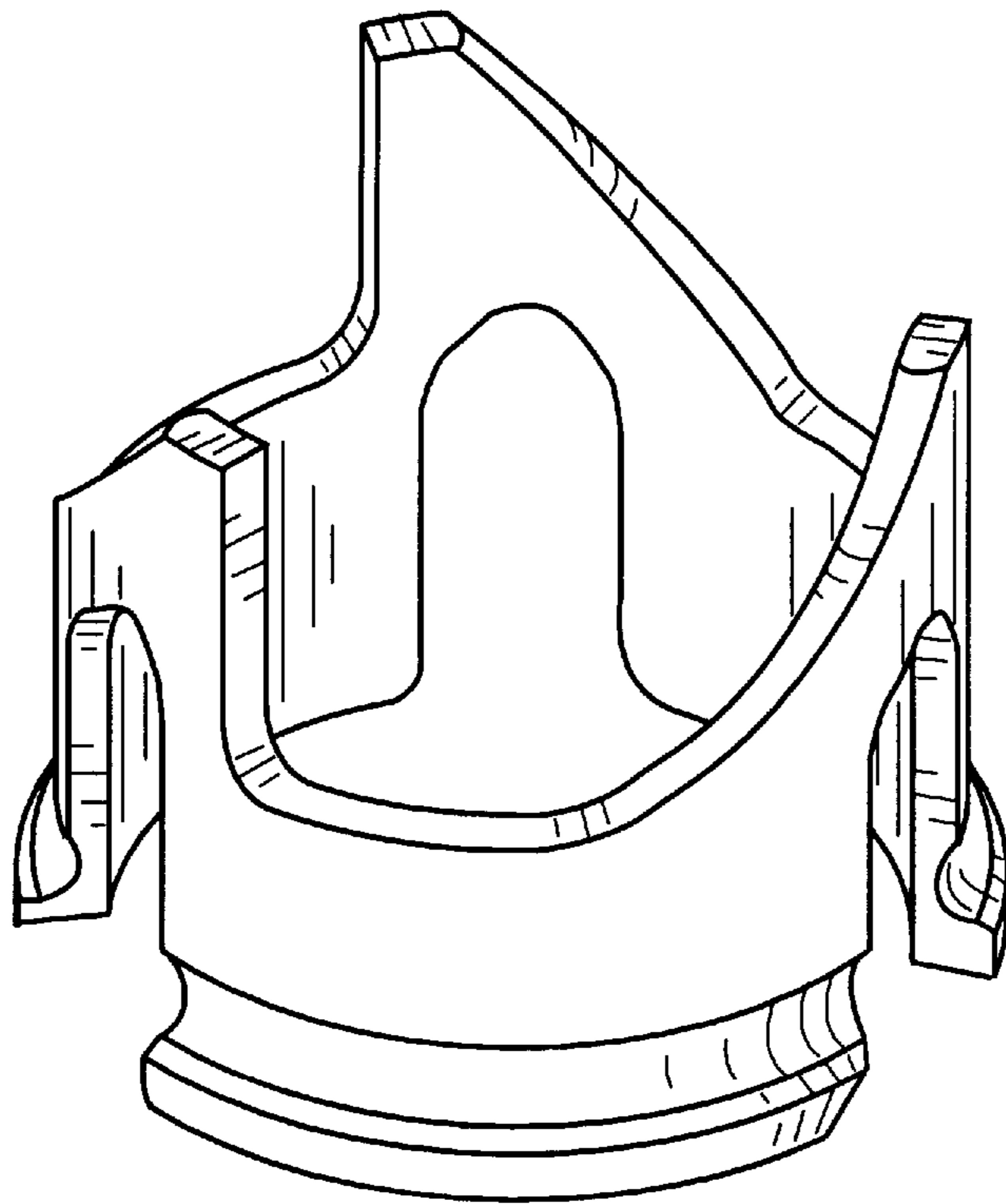


Fig. 1

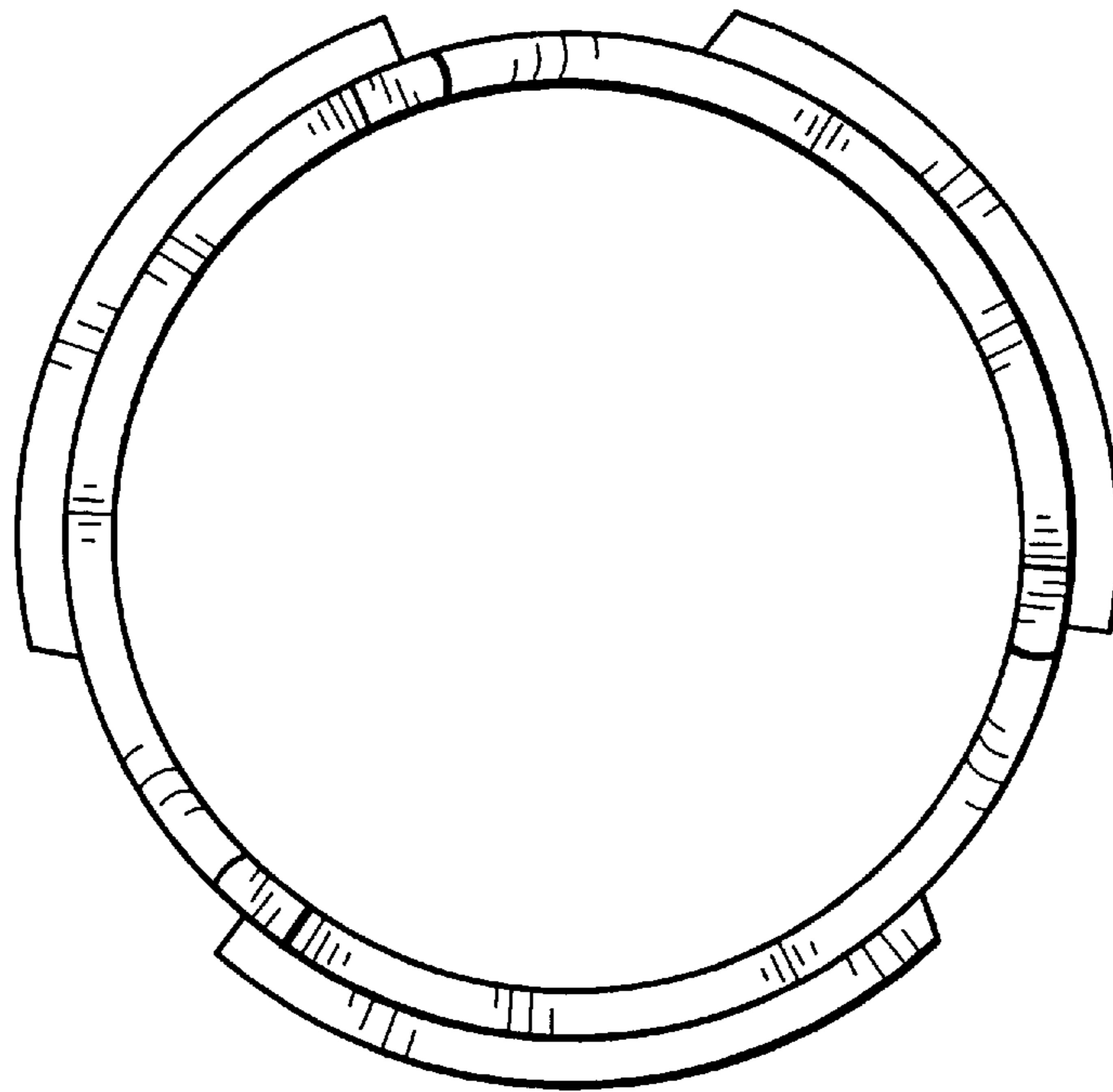


Fig. 2

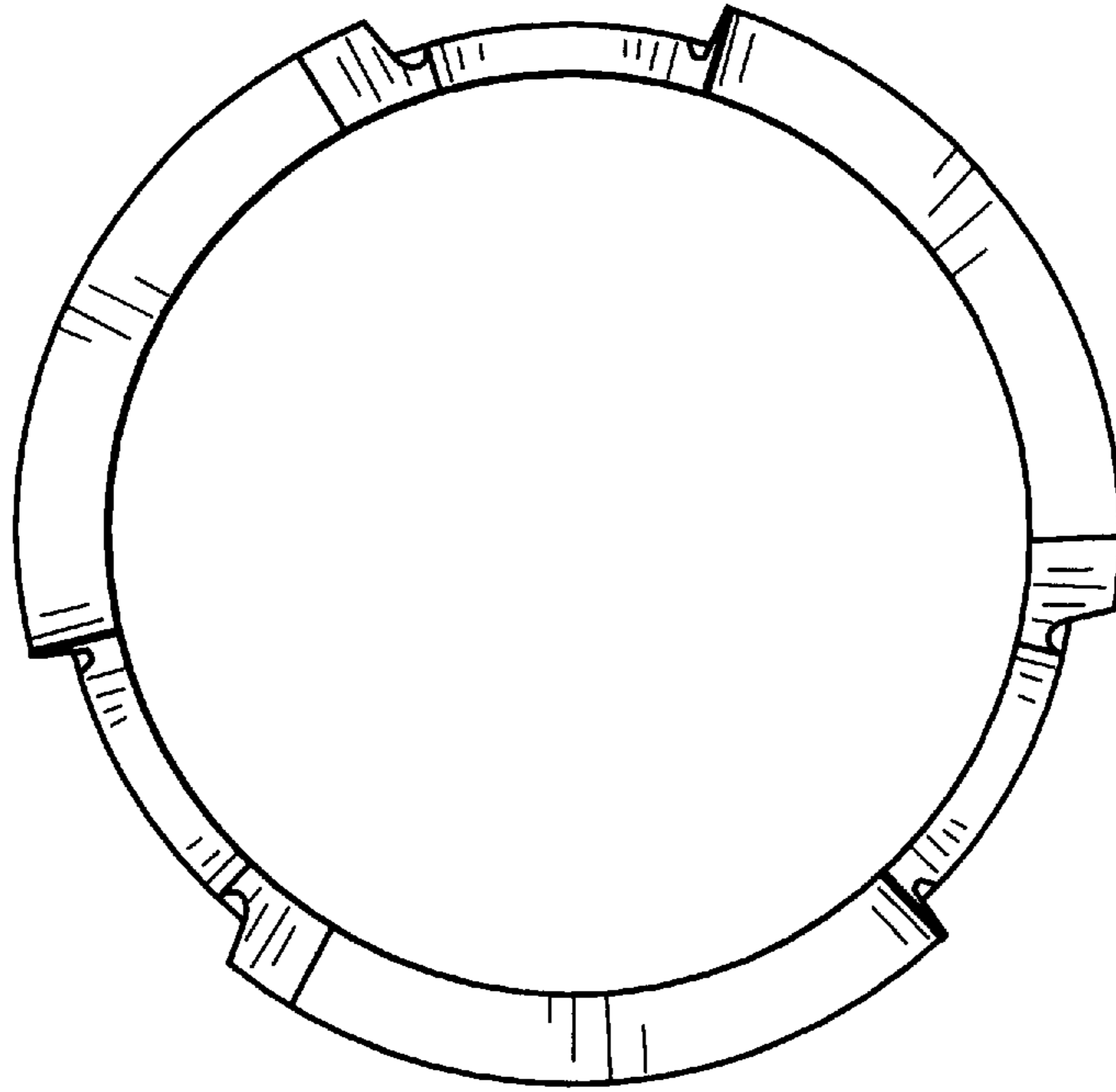


Fig. 3

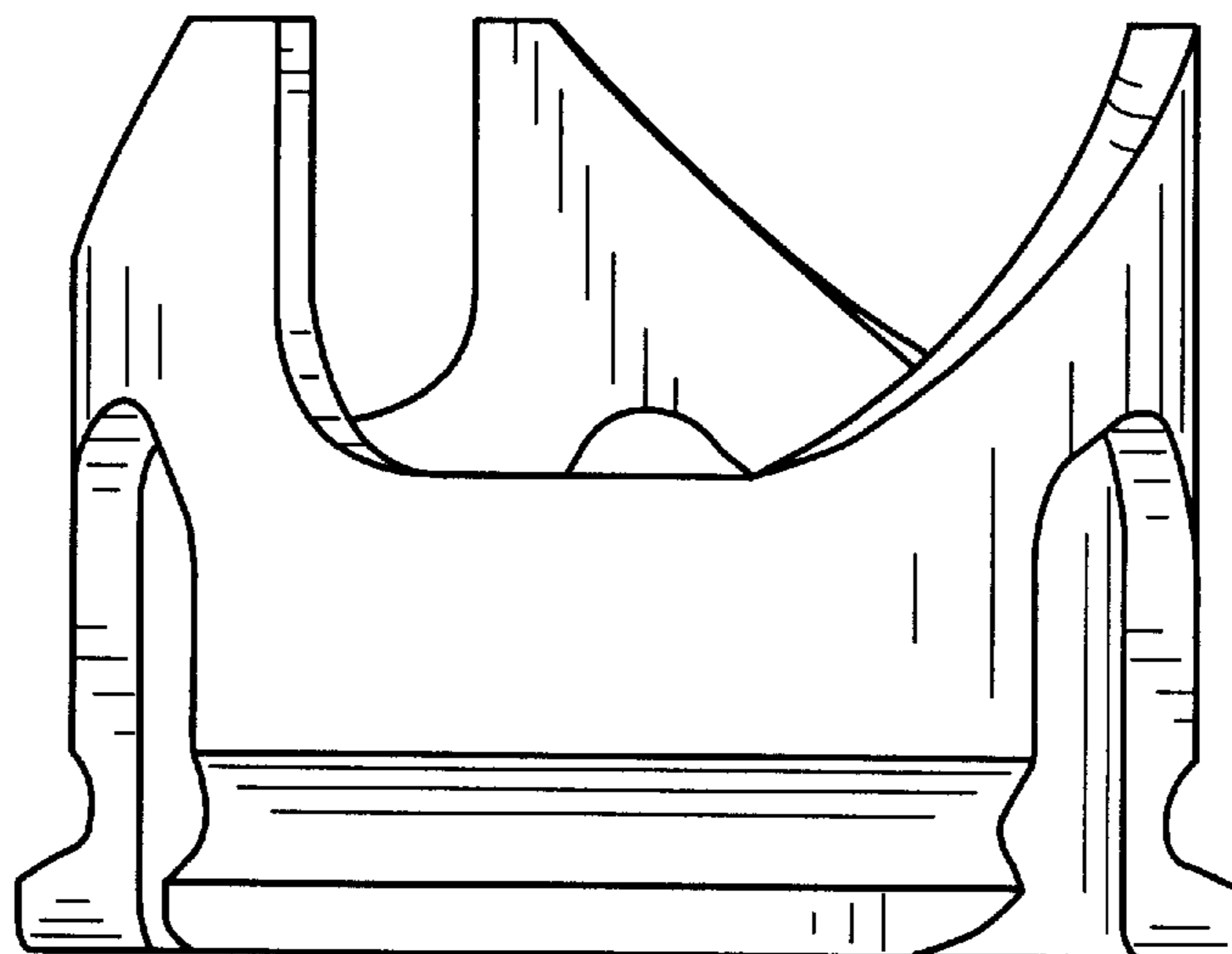


Fig. 4

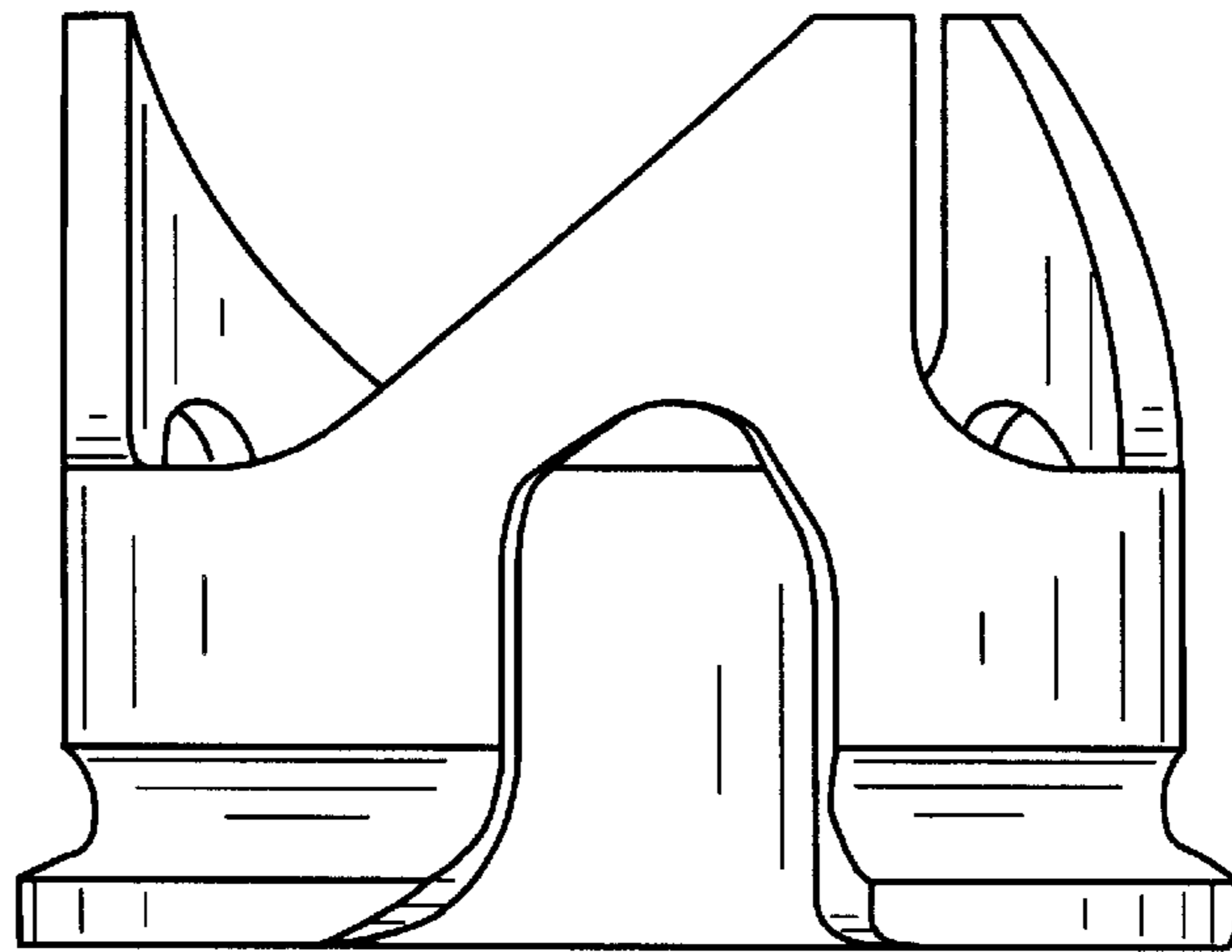


Fig. 5

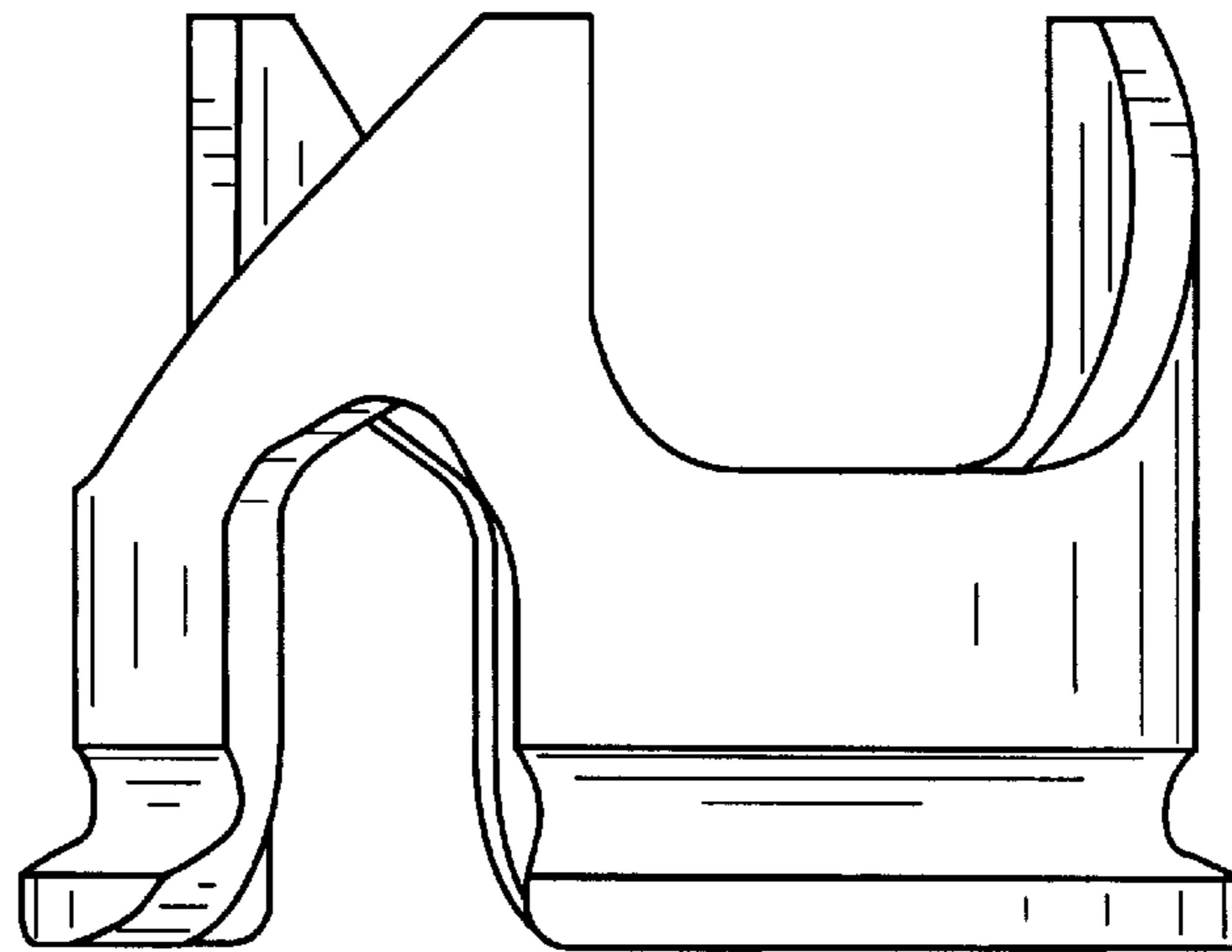


Fig. 6

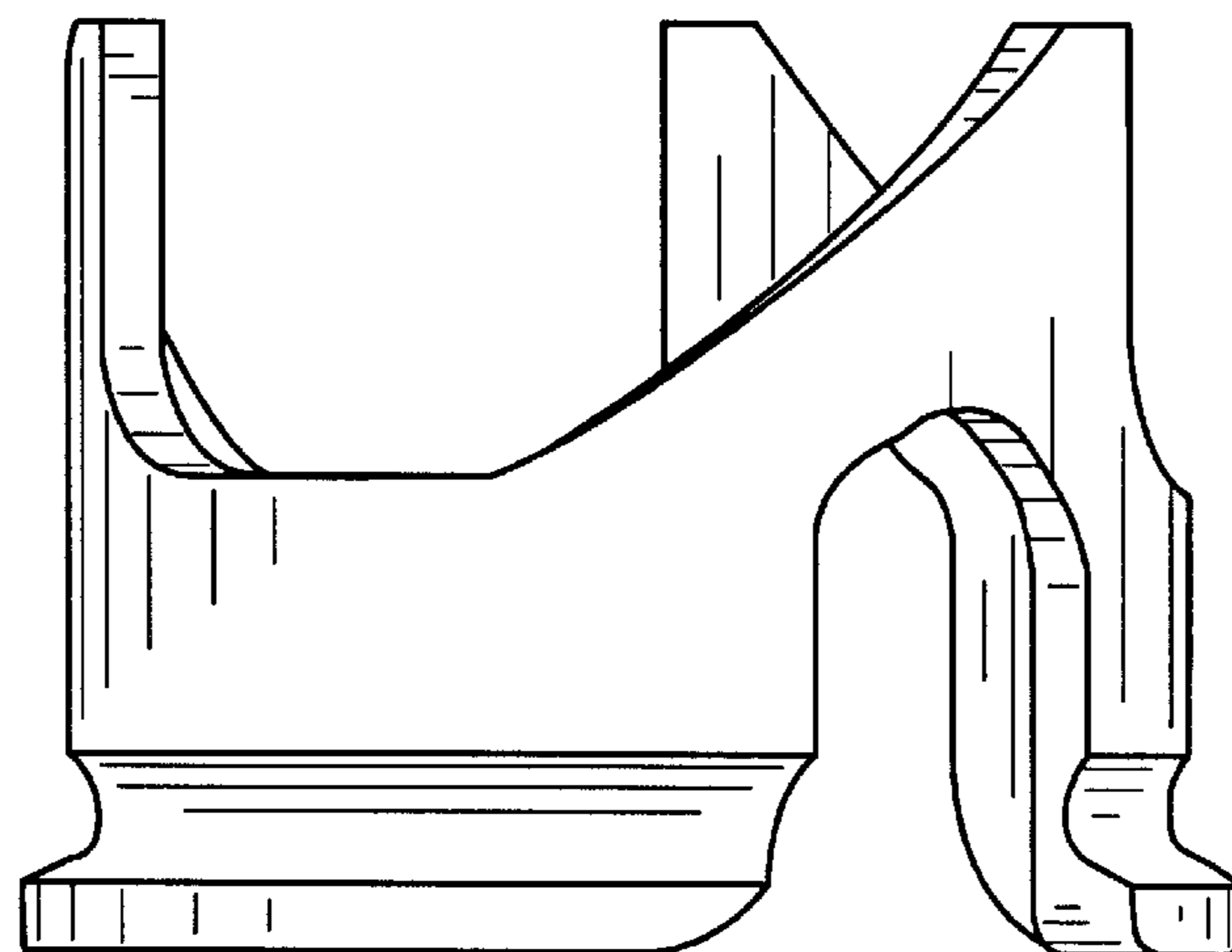


Fig. 7