



US00D404405S

**United States Patent** [19]  
**Hammett et al.**

[11] **Patent Number: Des. 404,405**

[45] **Date of Patent: \*\*Jan. 19, 1999**

[54] **PANEL STRUCTURE FOR A PORTABLE  
PANEL SAW**

[75] Inventors: **John Robert Hammett**, Chanhassen;  
**David L. Hanson**, Wyoming, both of  
Minn.

[73] Assignee: **Safety Speed Cut**, Anoka, Minn.

[\*\*] Term: **14 Years**

[21] Appl. No.: **74,472**

[22] Filed: **Jul. 31, 1997**

[51] **LOC (6) Cl.** ..... **15-09**

[52] **U.S. Cl.** ..... **D15/133**

[58] **Field of Search** ..... D15/127, 133;  
83/425, 471.3, 485; 384/55, 58

[56] **References Cited**

**U.S. PATENT DOCUMENTS**

4,058,150	11/1977	Pennington .	
4,802,399	2/1989	Olson .	
4,840,097	6/1989	Campbell .....	83/471.3 X

**OTHER PUBLICATIONS**

Safety Speed Cut product brochure, *Vertical Panel Saws*, pp. 12, date unknown.

*Primary Examiner*—Antoine Duval Davis  
*Attorney, Agent, or Firm*—Ohlandt, Greeley, Ruggiero & Perle

[57] **CLAIM**

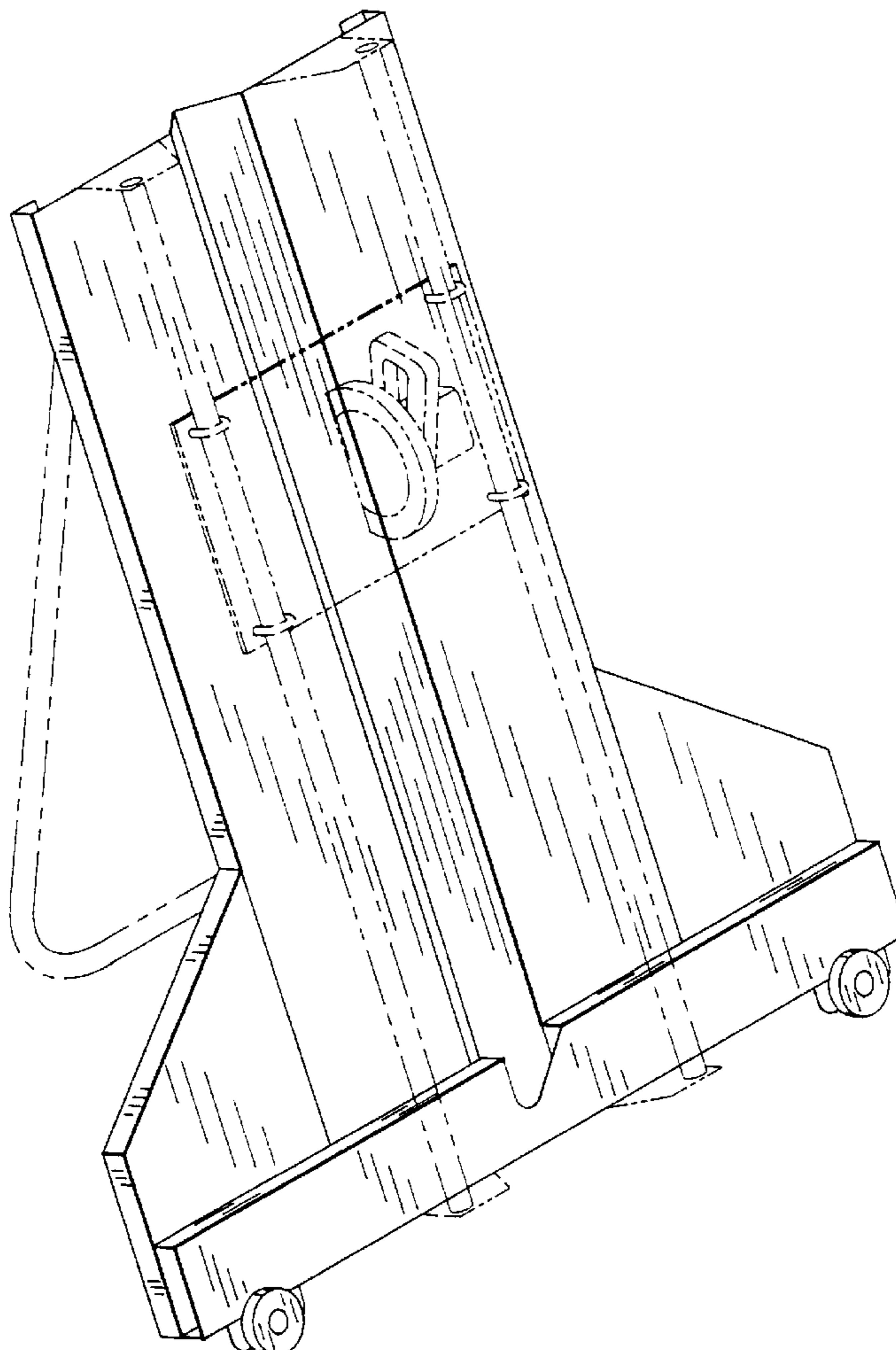
The ornamental design for a panel structure for a portable panel saw, as shown and described in the accompanying figures.

**DESCRIPTION**

FIG. 1 is a left-side perspective view of a panel structure for a portable panel saw showing our new design; FIG. 2 is a right-side perspective view of the panel structure for a portable panel saw of FIG. 1; and, FIG. 3 is a front view of the panel structure for a portable panel saw of FIG. 1.

The broken line showing is for illustrative purposes only and forms no part of the claimed design.

**1 Claim, 3 Drawing Sheets**



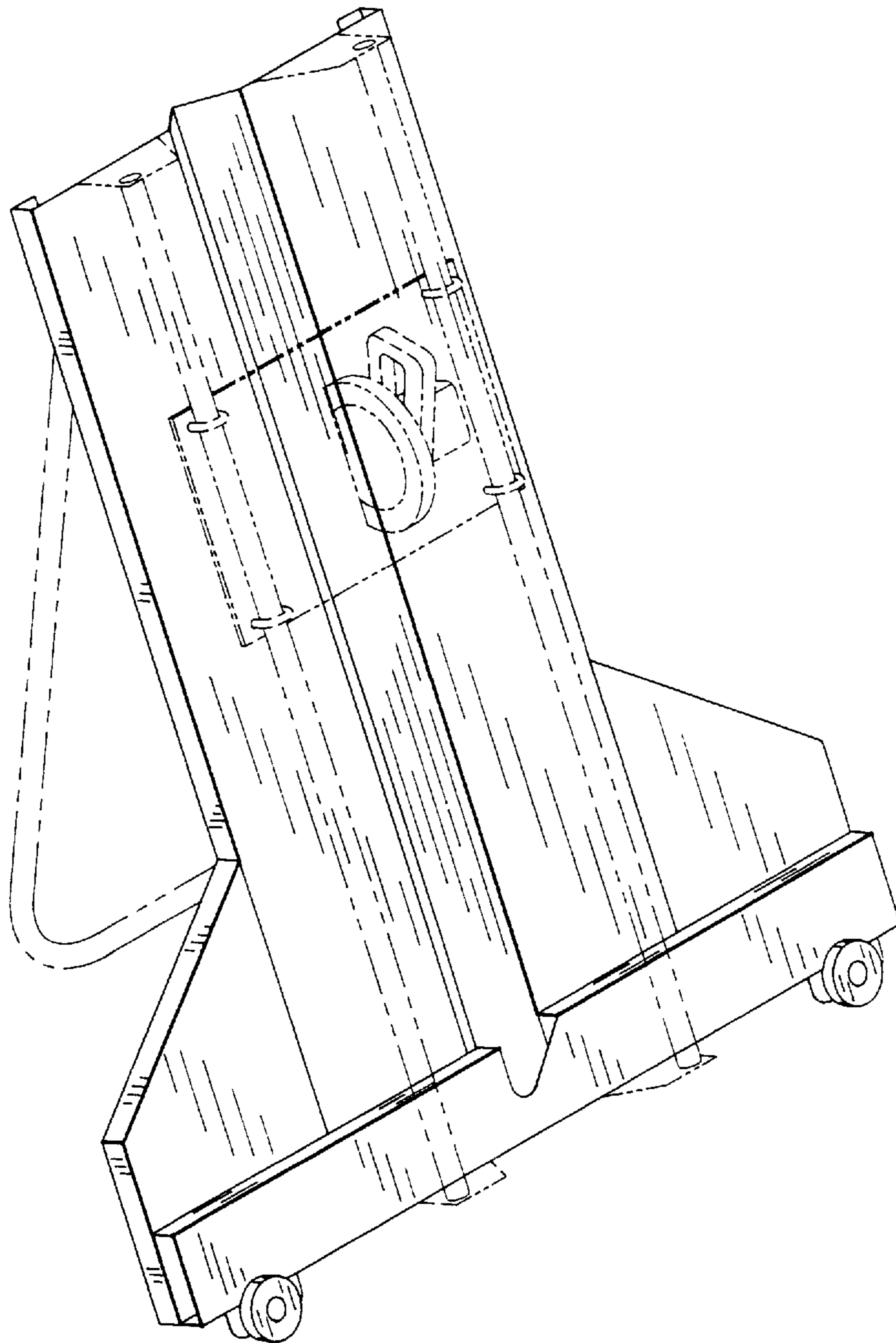


FIG. 1

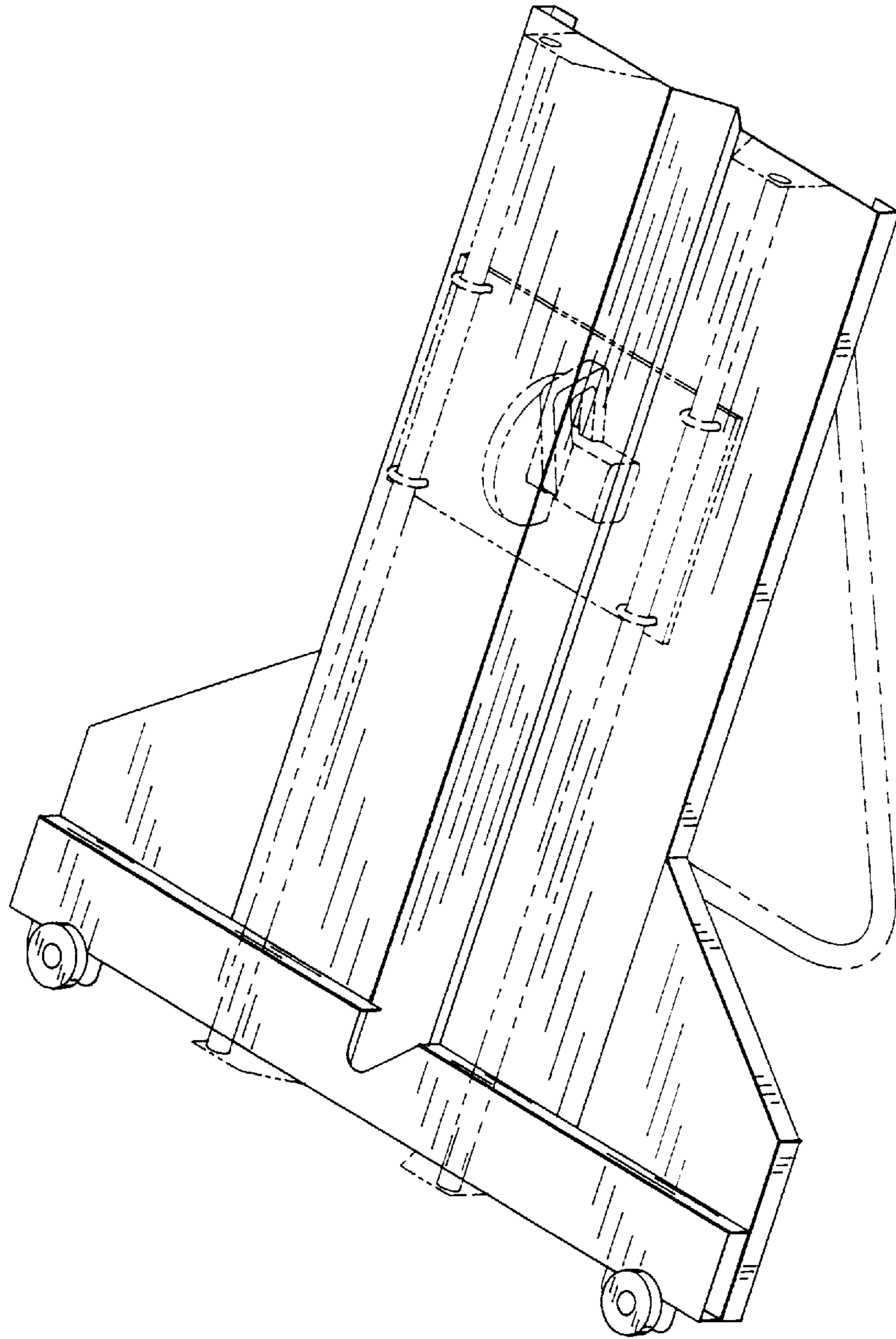
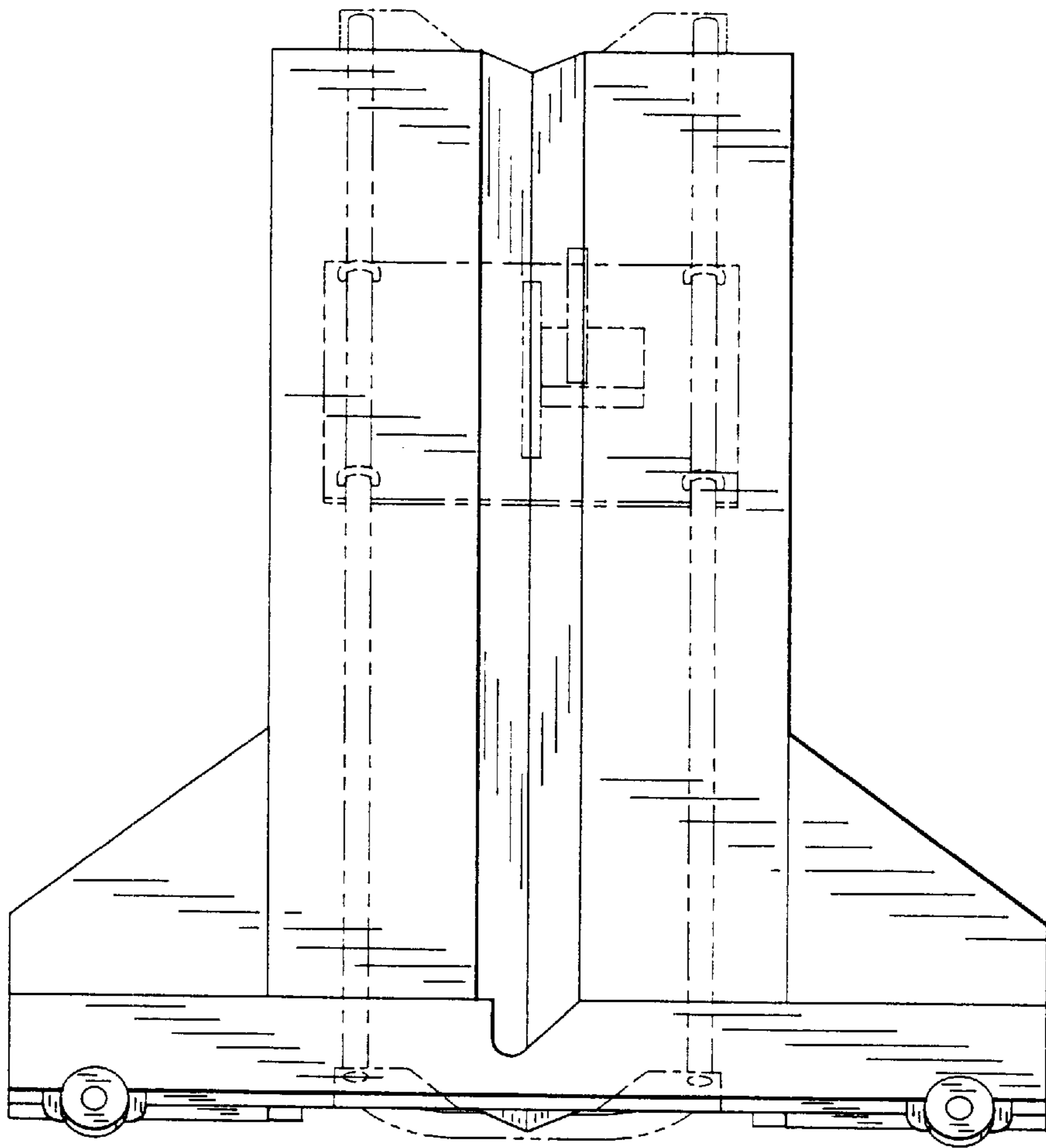


FIG. 2



**FIG. 3**

UNITED STATES PATENT AND TRADEMARK OFFICE  
**CERTIFICATE OF CORRECTION**

PATENT NO. : Des. 404,405 S  
DATED : April 17, 2001  
INVENTOR(S) : Woodnorth et al.

Page 1 of 3

It is certified that error appears in the above-identified patent and that said Letters Patent is hereby corrected as shown below:

Title page,

The Title page, showing an illustrative figure, should be deleted and substituted therefor the attached Title page.

Drawings,

Delete drawing sheet, consisting of Figs. 1-5 and substitute therefor the drawing sheet, consisting of Figs. 1-5, as shown on the attached page.

Signed and Sealed this

Twenty-ninth Day of October, 2002

*Attest:*

A handwritten signature in black ink, appearing to read "James E. Rogan", written over a horizontal line.

*Attesting Officer*

JAMES E. ROGAN  
*Director of the United States Patent and Trademark Office*

(12) **United States Design Patent**  
Woodnorth et al.

(10) **Patent No.:** US D440,405 S  
(45) **Date of Patent:** \*\* Apr. 17, 2001

(54) **PAINT BRUSH**

(76) **Inventors:** **Brian E. Woodnorth**, 6009 N. Shore Dr., Whitefish Bay, WI (US) 53217; **Brian C. Bone**, 13007 Tiger Lily Ct., Creve Coeur, MO (US) 63146; **Heath A. Doty**, 7512 Dale Ave., Richmond Heights, MO (US) 63117; **Kent P. Ritzel**, 2 Silver Creek La., Waterloo, IL (US) 62298; **William Dean Ungar**, 19 Lee Ave., Apartment I, St. Louis, MO (US) 63105

(\*\*) **Term:** 14 Years

(21) **Appl. No.:** 29/121,044

(22) **Filed:** Mar. 30, 2000

(51) **LOC (7) Cl. .... 04-04**

(52) **U.S. Cl. .... D4/138**

(58) **Field of Search .... D4/129, 132, 135, D4/138; 15/143.1, 159.1, 160, 166, 168, 191.1, 192-196; 16/110.1, 430, 431**

(56) **References Cited**

**U.S. PATENT DOCUMENTS**

- D. 211,446 \* 6/1968 Hange ..... D4/135
- D. 216,247 12/1969 McGuire .
- D. 292,348 \* 10/1987 Roberts et al. .... D4/129
- D. 333,217 2/1993 Gingras .
- D. 367,963 \* 3/1996 Mayer ..... D4/138
- 412,479 10/1889 Davis .
- 1,687,335 10/1928 Jackline .
- 1,826,165 10/1931 Cartwright .
- 2,237,969 4/1941 Olsen .
- 2,426,315 8/1947 Marick .
- 2,664,582 1/1954 Kammann .
- 3,023,439 3/1962 Danley .
- 3,067,446 12/1962 McGauley .
- 3,153,801 10/1964 Weiss et al. .
- 3,819,779 6/1974 Pharris et al. .
- 4,495,669 1/1985 Hooper .
- 4,751,762 6/1988 Meimeteas .
- 4,847,939 7/1989 Derencsenyi et al. .
- 5,339,482 8/1994 Desimone et al. .

- 5,390,572 \* 2/1995 Gakhar et al. .... 16/430 X
- 5,446,941 9/1995 Kelsay .
- 5,615,445 4/1997 Kelsay et al. .
- 5,761,759 6/1998 Leversby et al. .
- 5,920,943 7/1999 Barker .

**FOREIGN PATENT DOCUMENTS**

- 2 256 856 5/1974 (DE) .
- 27 35 542 2/1979 (DE) .
- 351858 7/1931 (GB) .
- 844124 8/1960 (GB) .
- 2050156 1/1981 (GB) .
- 6-266193 8/1994 (JP) .
- 6-85778 12/1994 (JP) .
- WO 93/16846 9/1993 (WO) .

**OTHER PUBLICATIONS**

Excerpts from Corona Catalog #17, 1990, 9 pages.  
"One Coater Supreme—The Brush That's Better At Both Ends!", EZ Paints, 1996, 1 page.

\* cited by examiner

*Primary Examiner*—M. H. Tung  
*Assistant Examiner*—Lavone Tabor

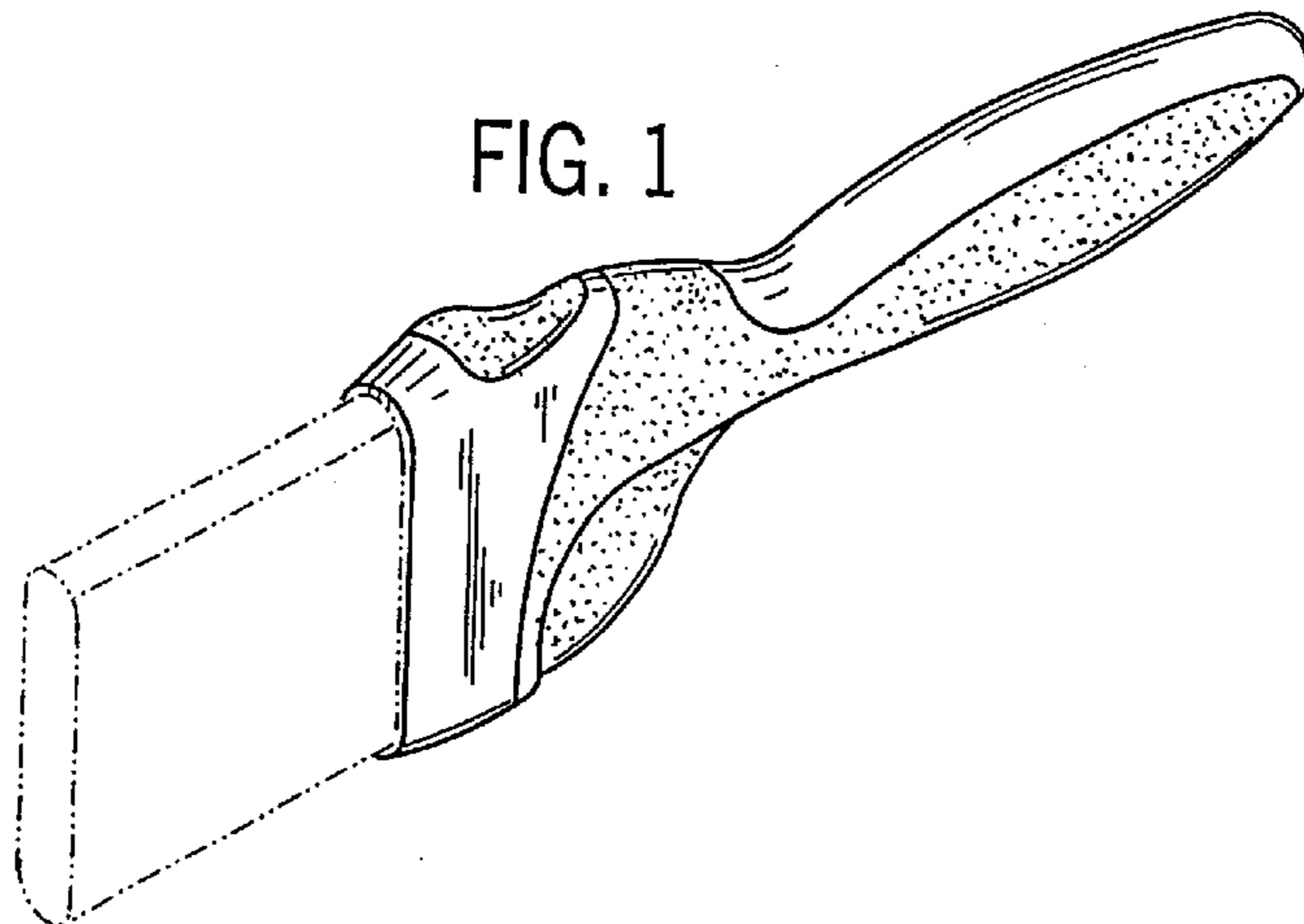
(57) **CLAIM**

We claim the ornamental design of a paint brush, as shown and described.

**DESCRIPTION**

FIG. 1 is a perspective view of a paint brush of the present invention;  
FIG. 2 is a left side elevational view thereof, the right side elevational view being identical thereto;  
FIG. 3 is a top plan view thereof;  
FIG. 4 is a bottom plan view thereof;  
FIG. 5 is a rear elevational view thereof; and,  
FIG. 6 is a front elevational view thereof.  
The ornamental design which is claimed is shown in solid lines in the drawings. The broken lines in the drawings are for illustrative purposes only and form no part of the claimed design.

1 Claim, 1 Drawing Sheet



U.S. Patent

Apr. 17, 2001

US D440,405 S

FIG. 5

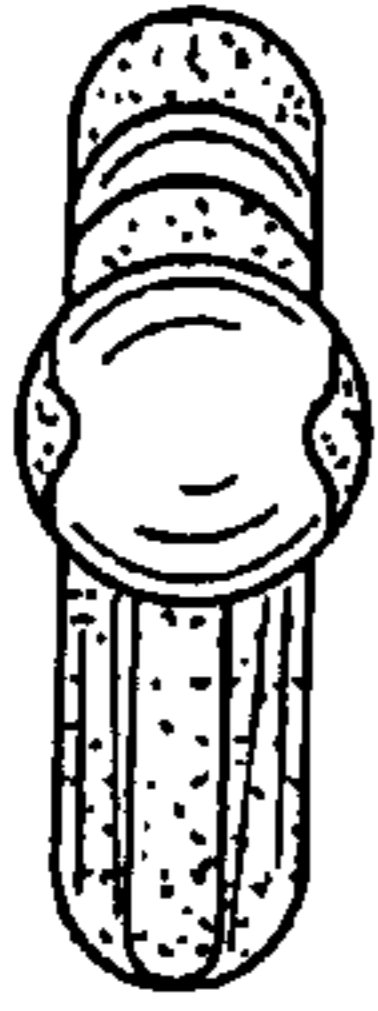


FIG. 1

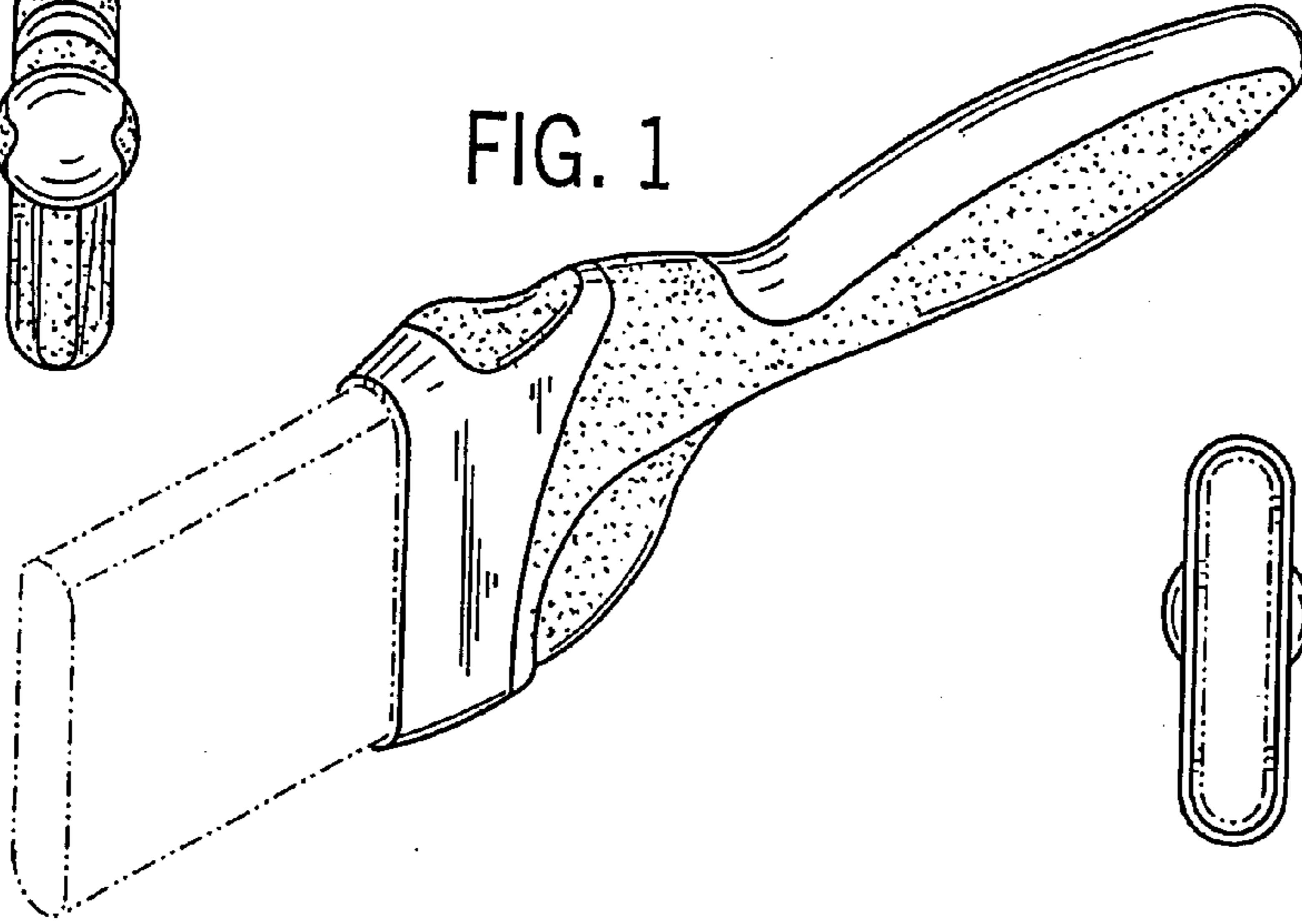


FIG. 6

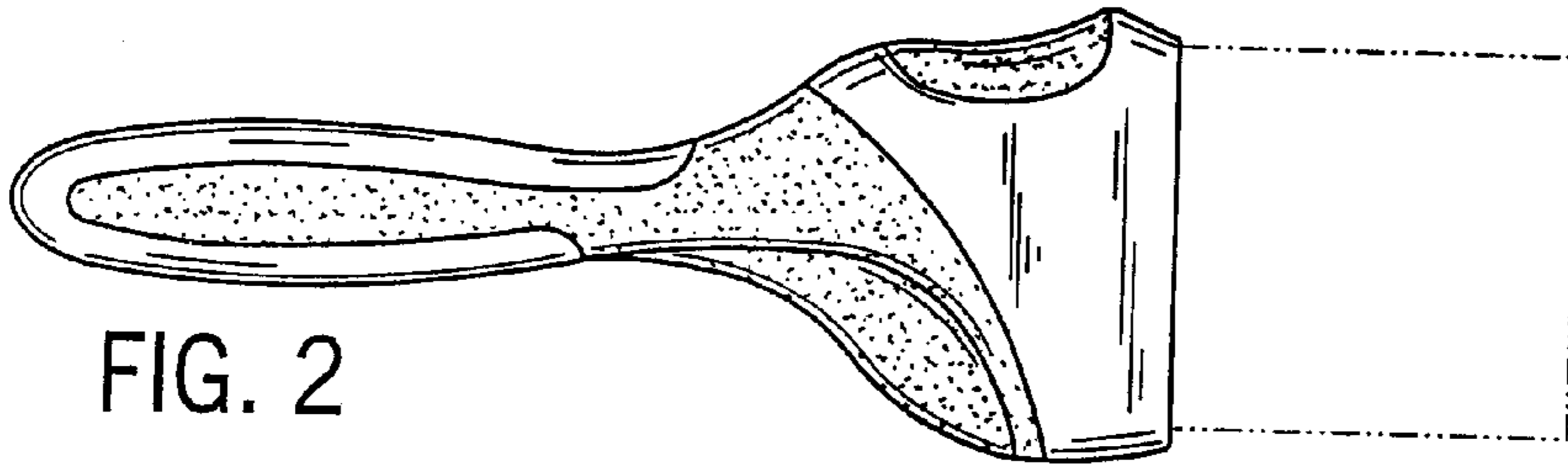


FIG. 2

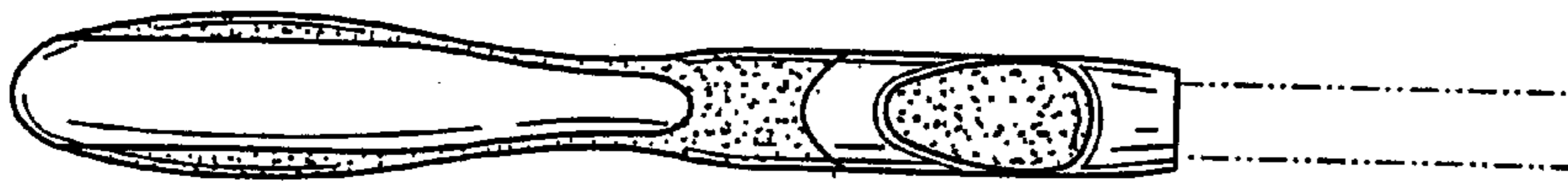


FIG. 3

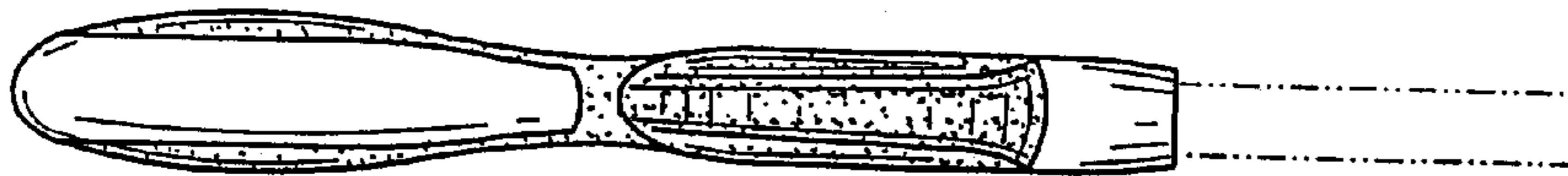


FIG. 4

UNITED STATES PATENT AND TRADEMARK OFFICE  
**CERTIFICATE OF CORRECTION**

PATENT NO. : Des. 404,405  
DATED : January 19, 1999  
INVENTOR(S) : John Robert Hammett et al.

Page 1 of 1

It is certified that error appears in the above-identified patent and that said Letters Patent is hereby corrected as shown below:

This certificate supersedes Certificates of Correction issued October 29, 2002 the number was erroneously mentioned and should be vacated since no Certificate of Correction was granted.

Signed and Sealed this

Twenty-first Day of January, 2003

A handwritten signature in black ink, appearing to read "James E. Rogan", written over a horizontal line.

JAMES E. ROGAN  
*Director of the United States Patent and Trademark Office*