



US00D404403S

United States Patent [19]
Uchida

[11] **Patent Number: Des. 404,403**

[45] **Date of Patent: **Jan. 19, 1999**

[54] **SEWING MACHINE**

OTHER PUBLICATIONS

[75] Inventor: **Koji Uchida**, Tokyo, Japan

Vogue Patterns, Jan./Feb. 1983. back cover.

[73] Assignee: **Janome Sewing Machine Co., Ltd.**,
Tokyo, Japan

Primary Examiner—Sandra L. Morris
Attorney, Agent, or Firm—Lowe Hauptman Gopstein
Gilman & Berner

[**] Term: **14 Years**

[57] **CLAIM**

[21] Appl. No.: **64,217**

The ornamental design for a sewing machine, as shown.

[22] Filed: **Dec. 24, 1996**

DESCRIPTION

[51] **LOC (6) Cl.** **15-06**

[52] **U.S. Cl.** **D15/69**

[58] **Field of Search** D15/66, 69, 70;
122/217.1-217.4, 256-261

FIG. 1 is a perspective view of a sewing machine, showing my new design;

FIG. 2 is a front view thereof;

FIG. 3 is a rear view thereof;

FIG. 4 is a top plan view thereof;

FIG. 5 bottom plan view thereof;

FIG. 6 is a left side view thereof; and,

FIG. 7 is a right side view thereof.

[56] **References Cited**

U.S. PATENT DOCUMENTS

D. 290,368	6/1987	Eguchi	D15/69
D. 321,353	11/1991	Eguchi et al.	D15/69
D. 321,354	11/1991	Kuroki	D15/70
D. 323,832	2/1992	Eguchi et al.	D15/69

1 Claim, 7 Drawing Sheets

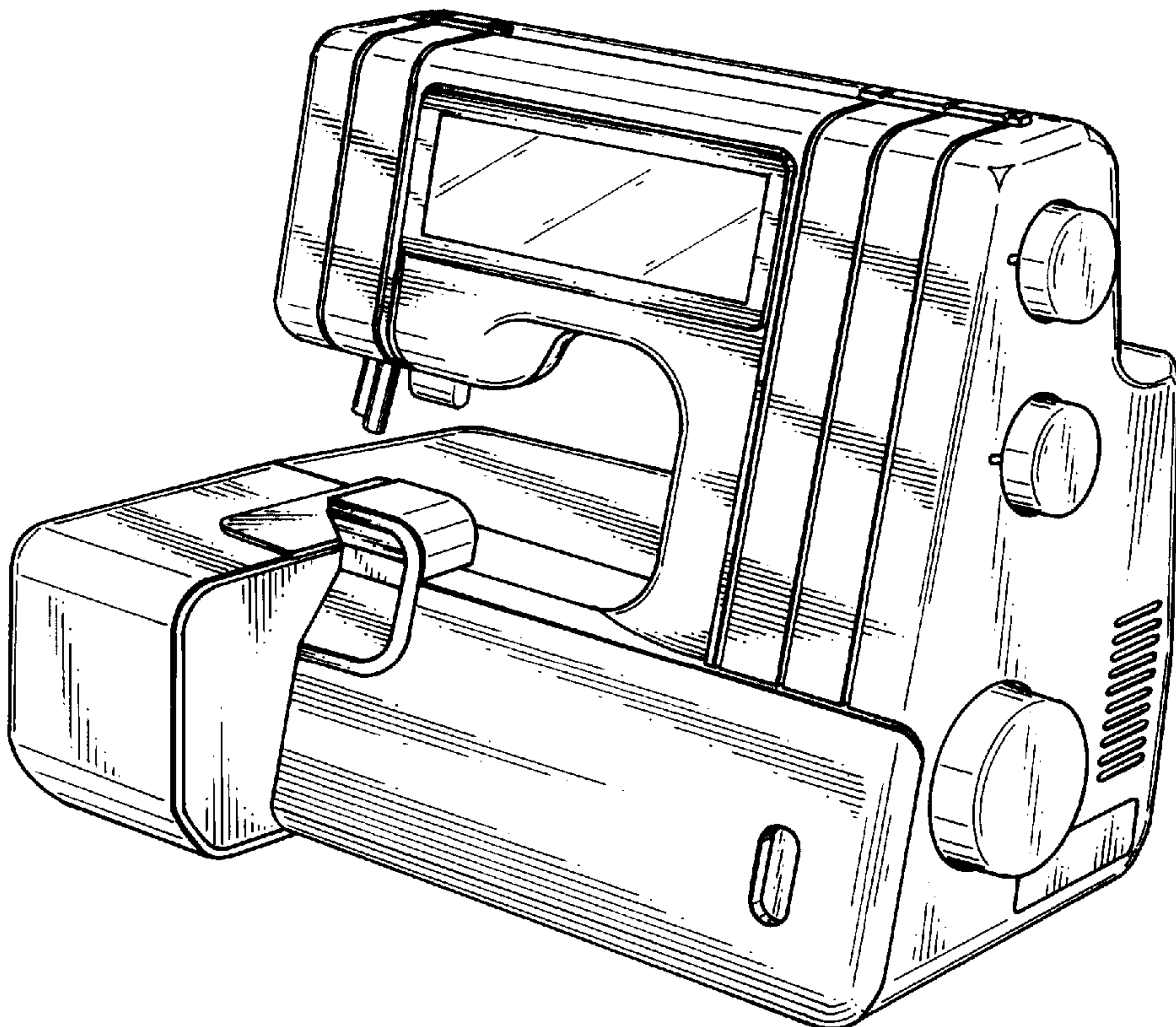


FIG. 1

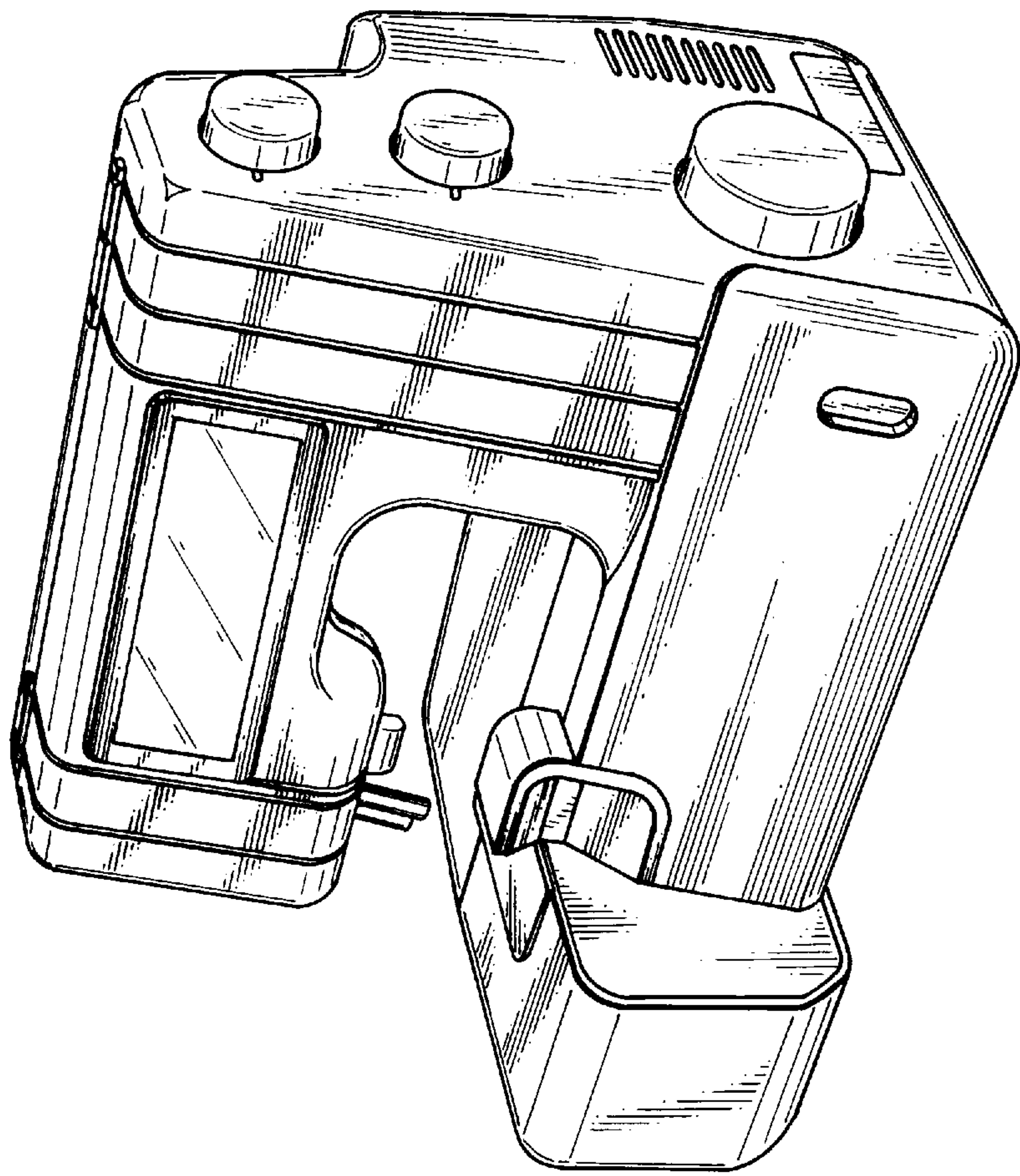


FIG. 2

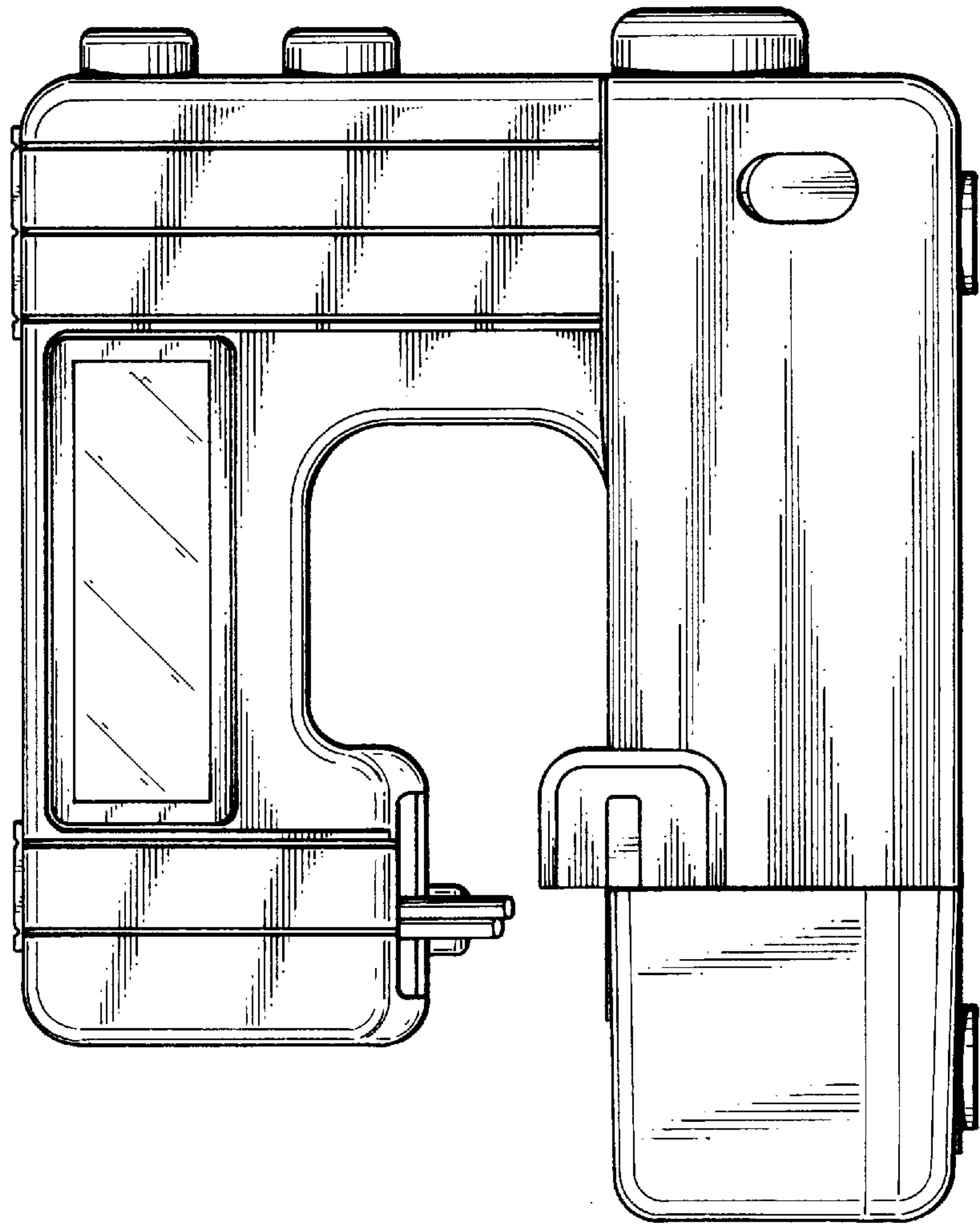


FIG. 3

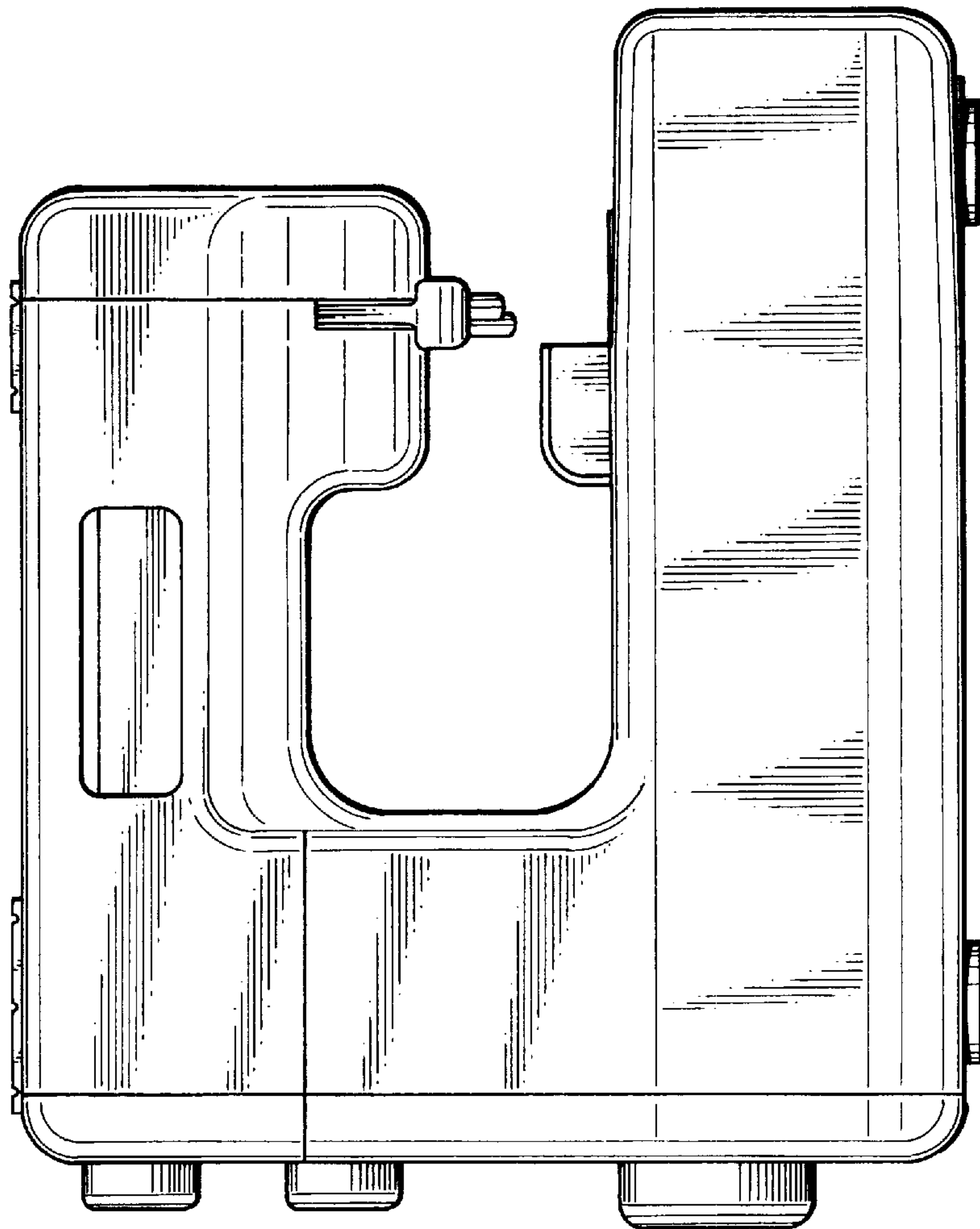


FIG. 4

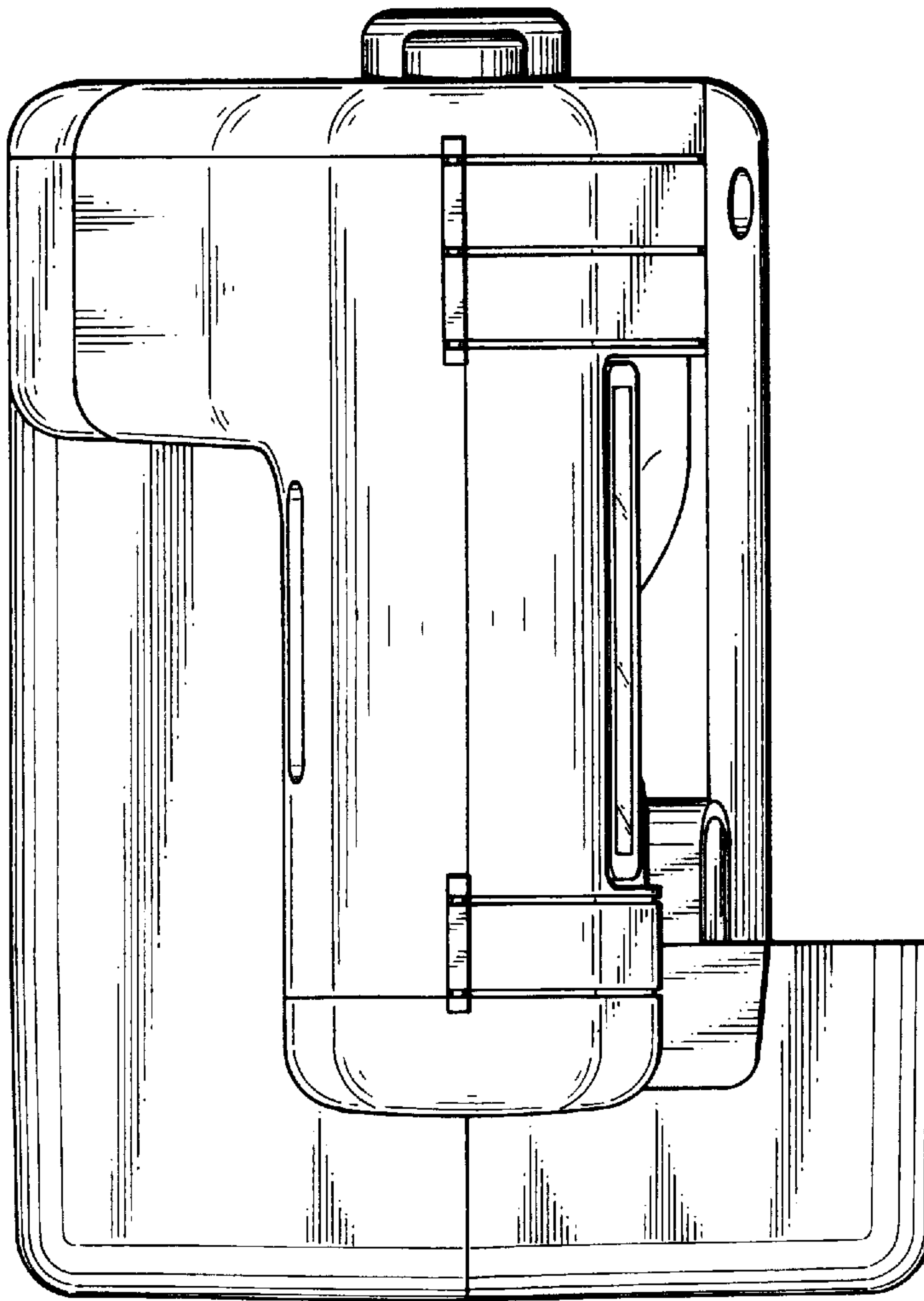


FIG. 5

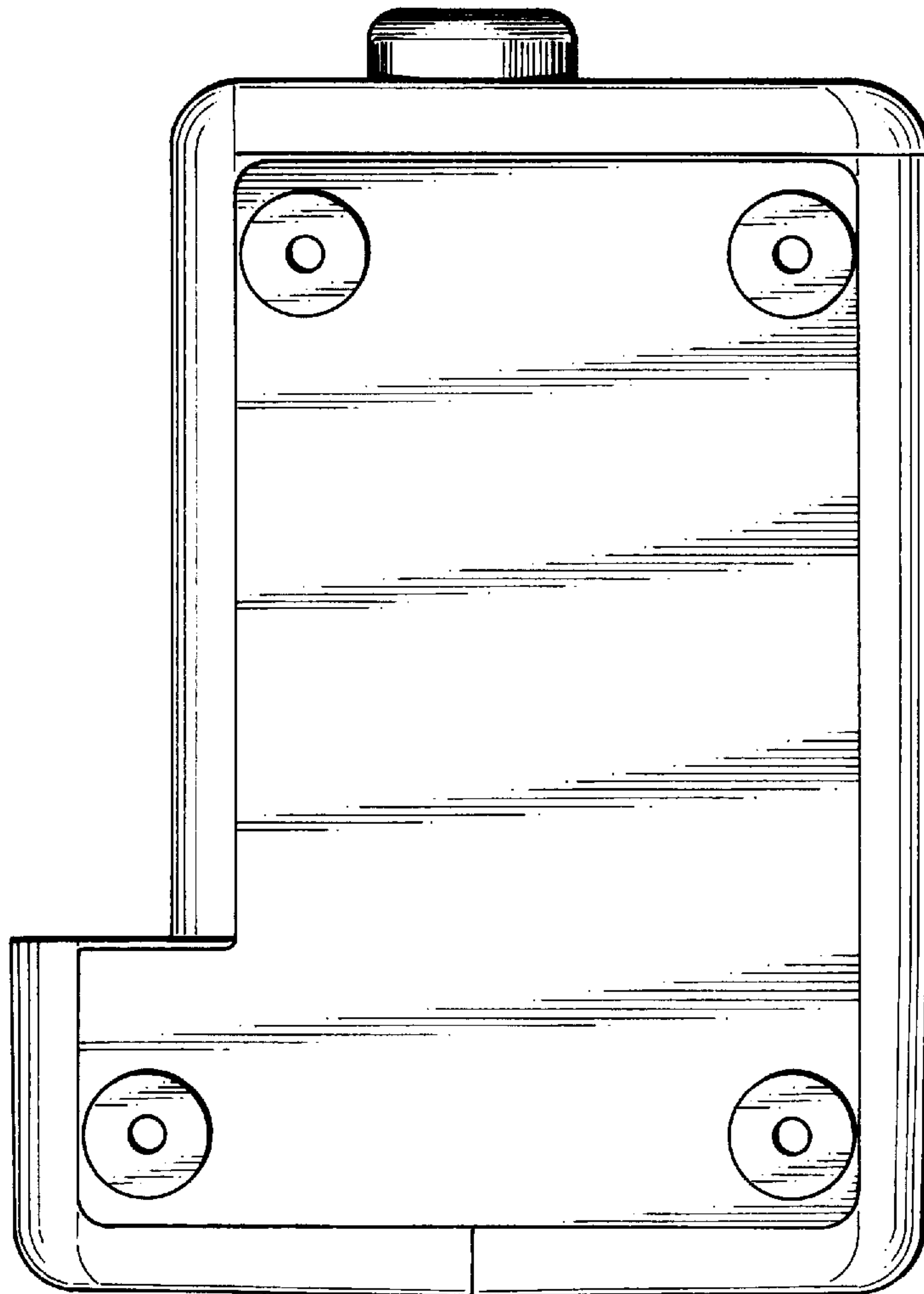


FIG. 6

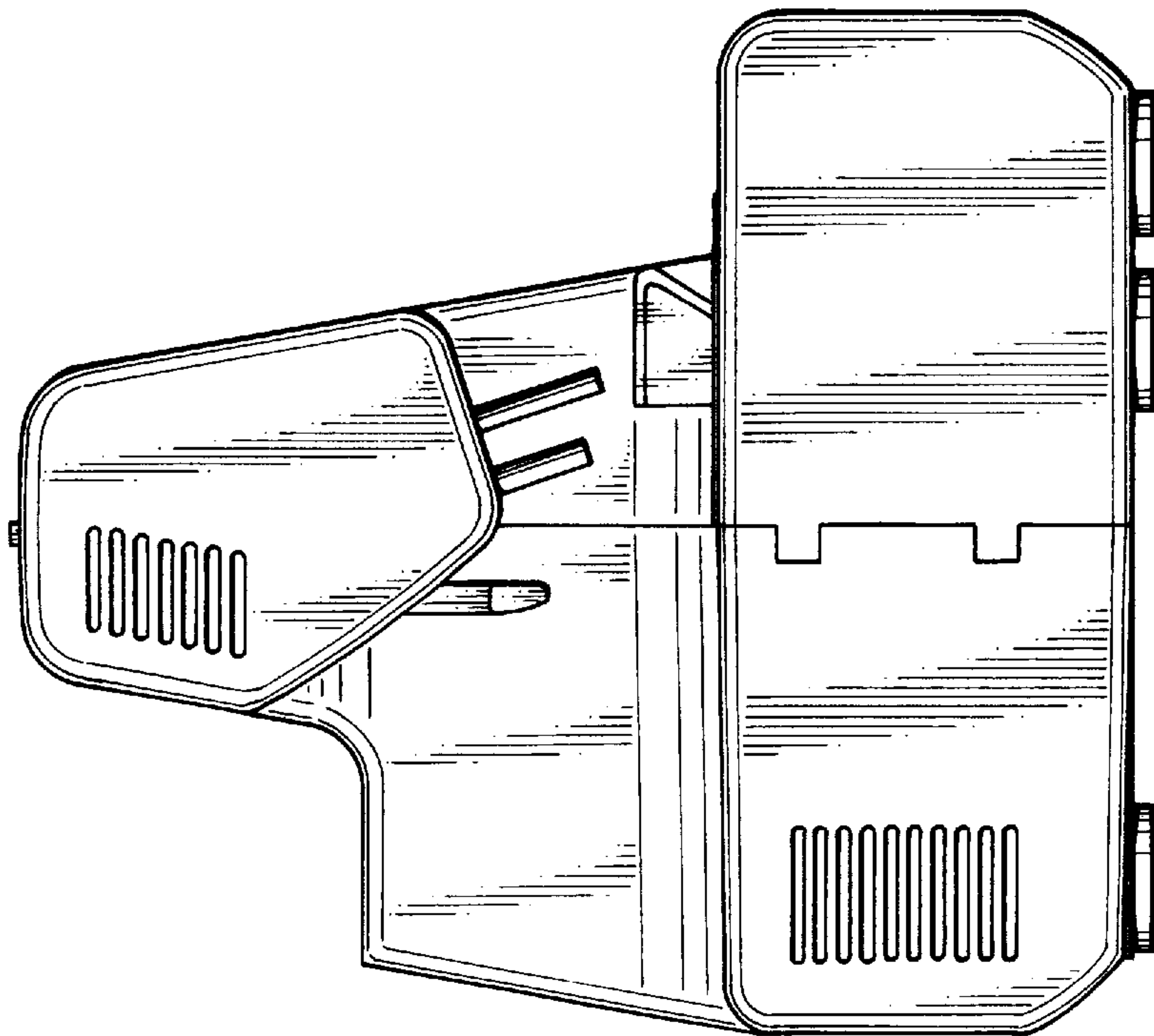


FIG. 7

