



US00D404402S

United States Patent [19] Wolf

[11] **Patent Number: Des. 404,402**

[45] **Date of Patent: **Jan. 19, 1999**

- [54] **SCREEN FOR A RIDING MOWER**
- [75] Inventor: **Bradley John Wolf**, N. Royalton, Ohio
- [73] Assignee: **MTD Products Inc.**, Cleveland, Ohio
- [**] Term: **14 Years**
- [21] Appl. No.: **59,253**
- [22] Filed: **Sep. 5, 1996**
- [51] **LOC (6) Cl. 15-03**
- [52] **U.S. Cl. D15/17**
- [58] **Field of Search D15/14, 17, 28;**
56/17.4, 17.5, 249, 255, 295, 320.1, 320.2,
12.1, 12.7, 12.8, 13.4, 16.7, 202

The Harrington & King Perforated Materials Catalog #95, copyright 1979, p. 47, Air Conditioning Central Panel, "C", 1979.

Primary Examiner—Sandra L. Morris
Attorney, Agent, or Firm—Emerson & Associates; Roger D. Emerson; John M. Skeriotis

[57] CLAIM

The ornamental design for a screen for a riding mower, as shown.

DESCRIPTION

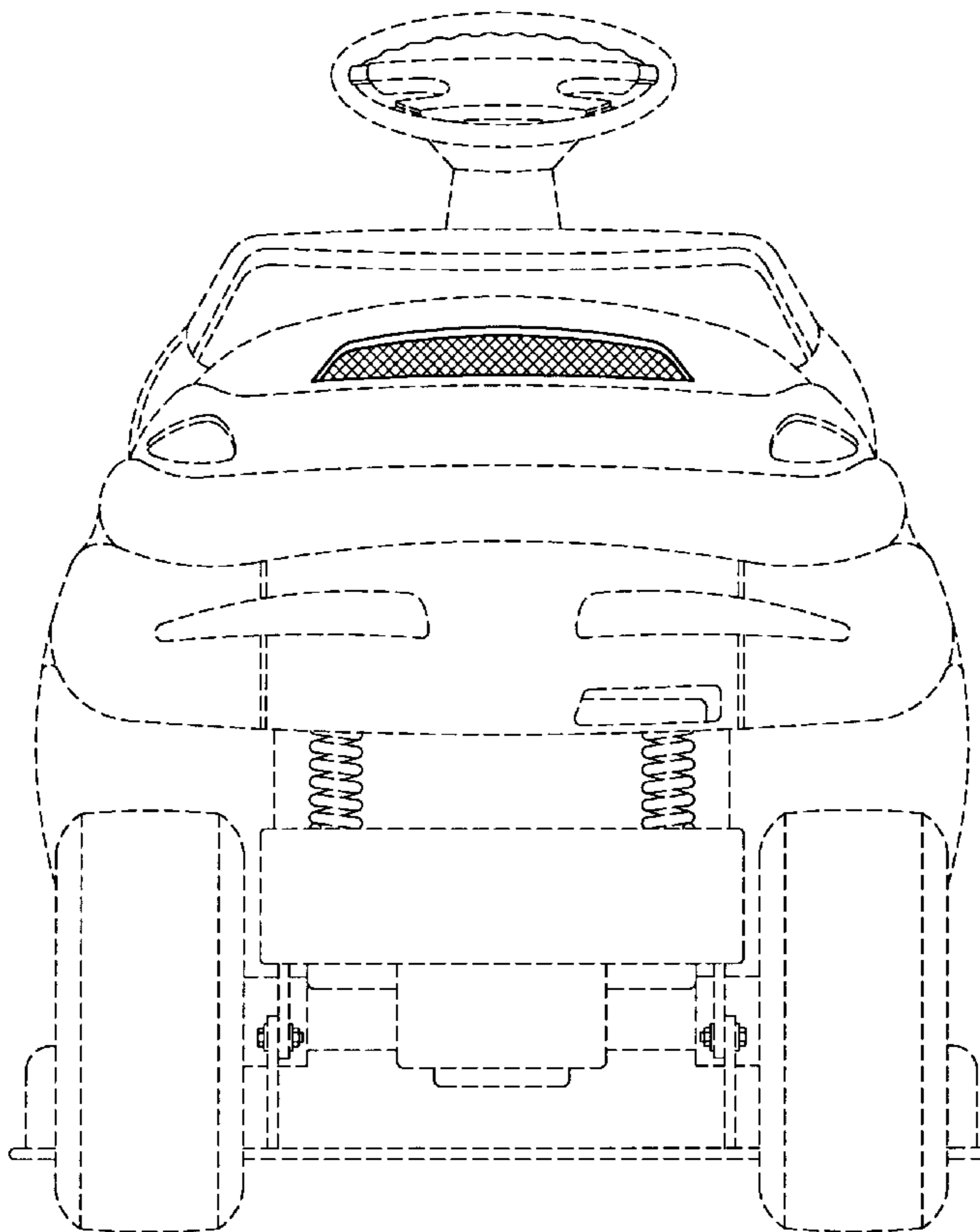
FIG. 1 is a right side view of a screen for a riding mower;
FIG. 2 is a left side view of a screen for a riding mower;
FIG. 3 is a rear view of a screen for a mower; and,
FIG. 4 is a top view of a riding lawn mower.

The broken line showing of the mower is for illustrative purposes only, and forms no part of the claimed design.

- [56] **References Cited**
- U.S. PATENT DOCUMENTS
- 5,499,494 3/1996 Boshell et al. 56/320.1
- FOREIGN PATENT DOCUMENTS
- 3140836 4/1983 Germany 56/320.1
- OTHER PUBLICATIONS

The Harrington & King Perforated Materials Catalog #95, copyright 1979. p. 43, refernce "A", 1979.
The Harrington & King Perforated Materials Catalog #95, copyright 1979. p. 46, Coveyor Lining, "B", 1979.

1 Claim, 4 Drawing Sheets



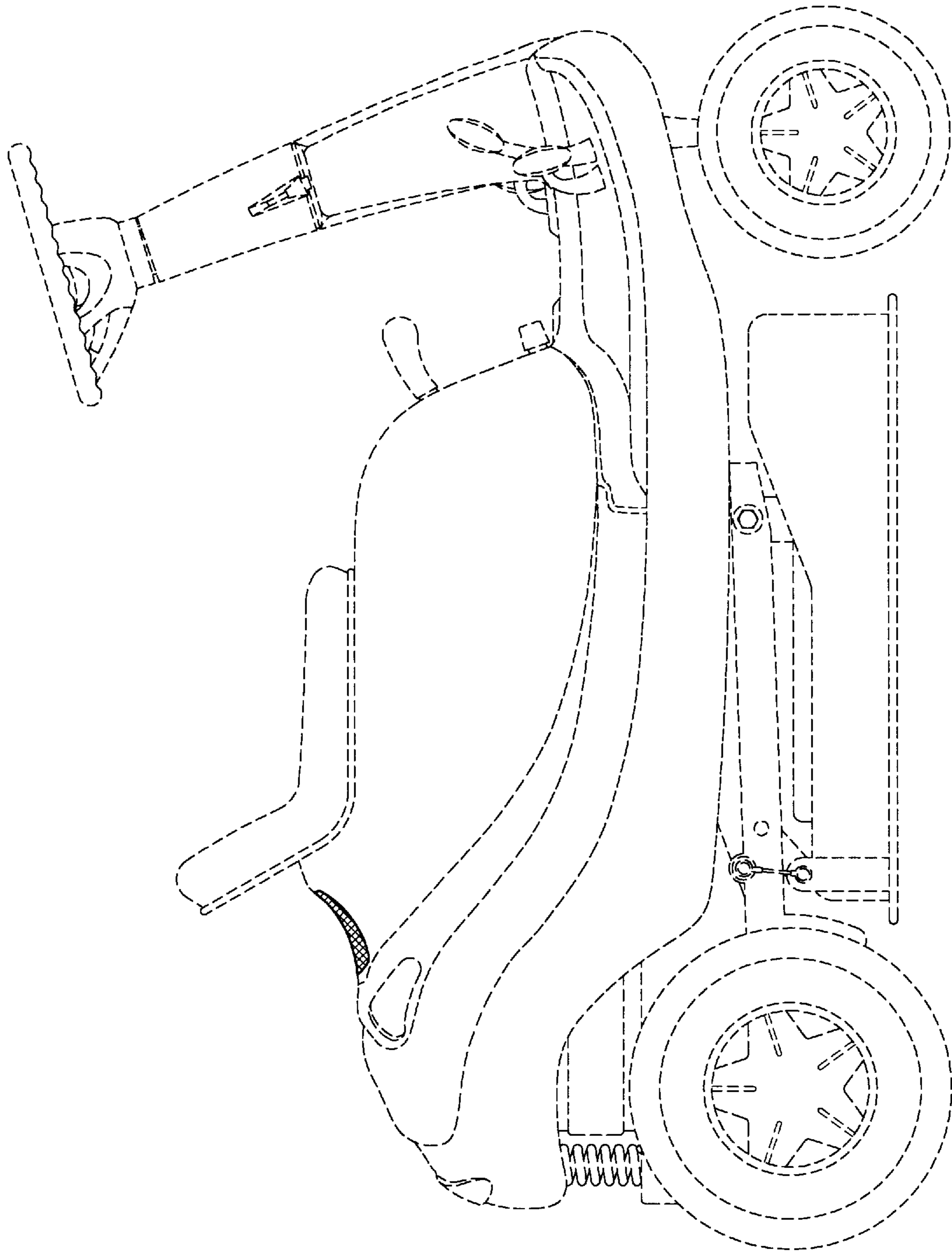


FIG-1

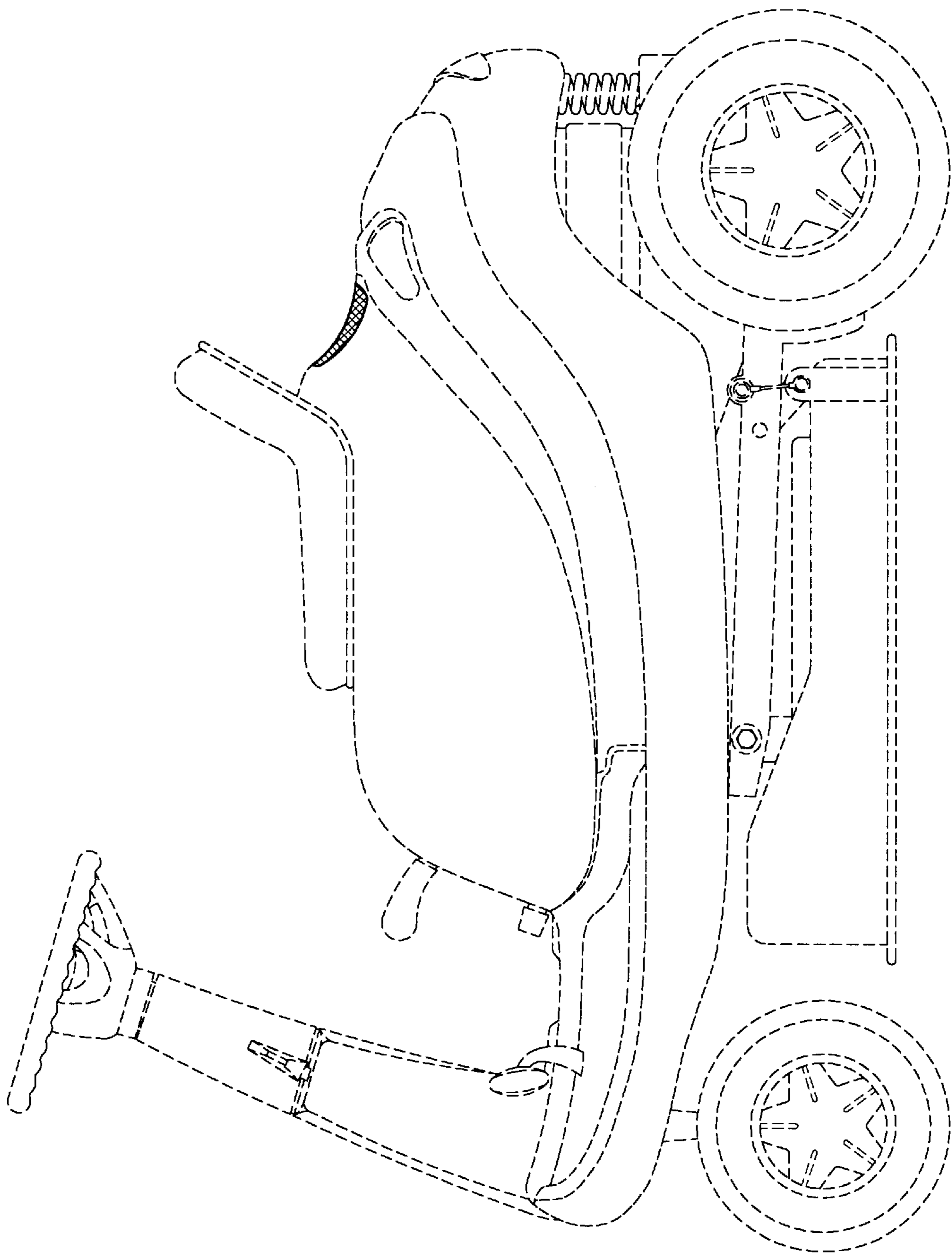


FIG-2

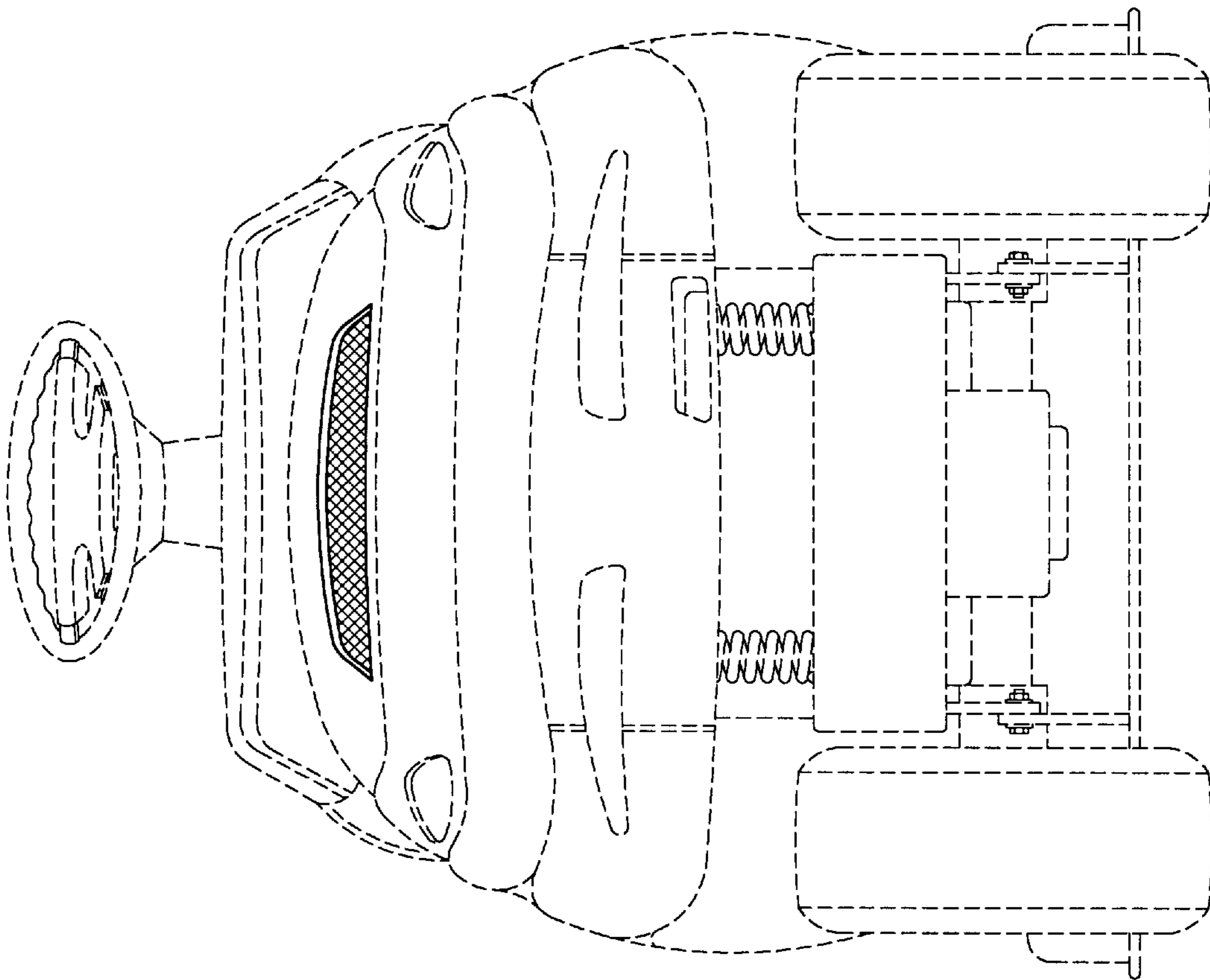


FIG-3

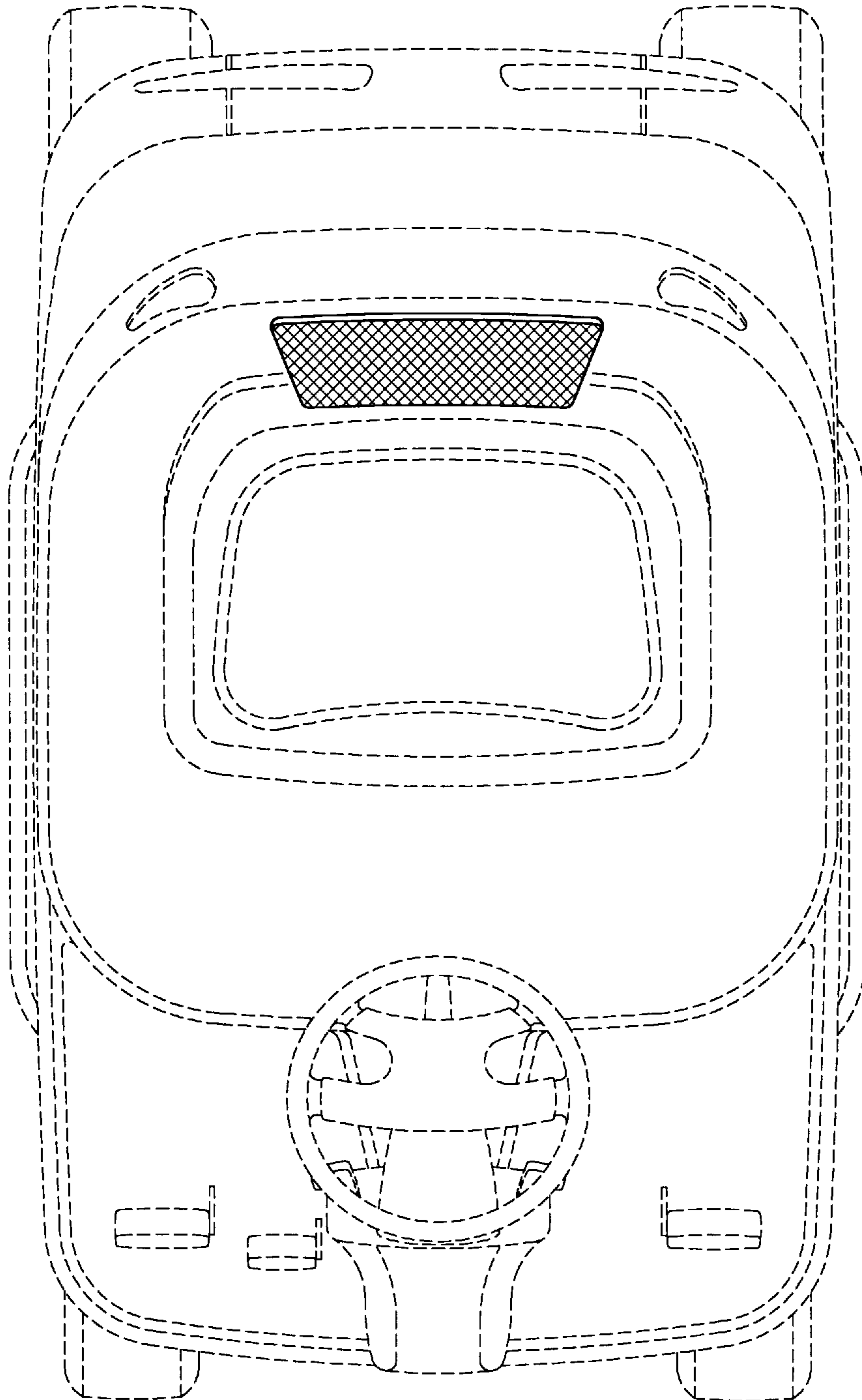


FIG-4