



US00D404399S

United States Patent [19] Wang

[11] Patent Number: **Des. 404,399**

[45] Date of Patent: ****Jan. 19, 1999**

[54] **SUBMERSIBLE PUMP**

2,927,174 3/1960 Walshin 417/40
3,144,832 8/1964 Haynes D15/7

[75] Inventor: **Yulis Wang**, Taipei, Taiwan

[73] Assignee: **Eiko Electric Products Corp.**, Taipei, Taiwan

Primary Examiner—Ralf Seifert
Attorney, Agent, or Firm—Pro-Techtor International Services

[**] Term: **14 Years**

[57] CLAIM

[21] Appl. No.: **83,588**

The ornamental design for a submersible pump, as shown herein.

[22] Filed: **Feb. 12, 1998**

DESCRIPTION

[51] **LOC (6) Cl.** **15-02**

[52] **U.S. Cl.** **D15/7**

[58] **Field of Search** D15/7-9; 412/40,
412/411, 234, 88, 393, 398-404; 200/424.1,
84 B

FIG. 1 is a perspective view of a submersible pump showing my new design;

FIG. 2 is a front view thereof;

FIG. 3 is a rear view thereof;

FIG. 4 is a right view thereof;

FIG. 5 is a left view thereof;

FIG. 6 is a top view thereof; and,

FIG. 7 is a bottom view thereof.

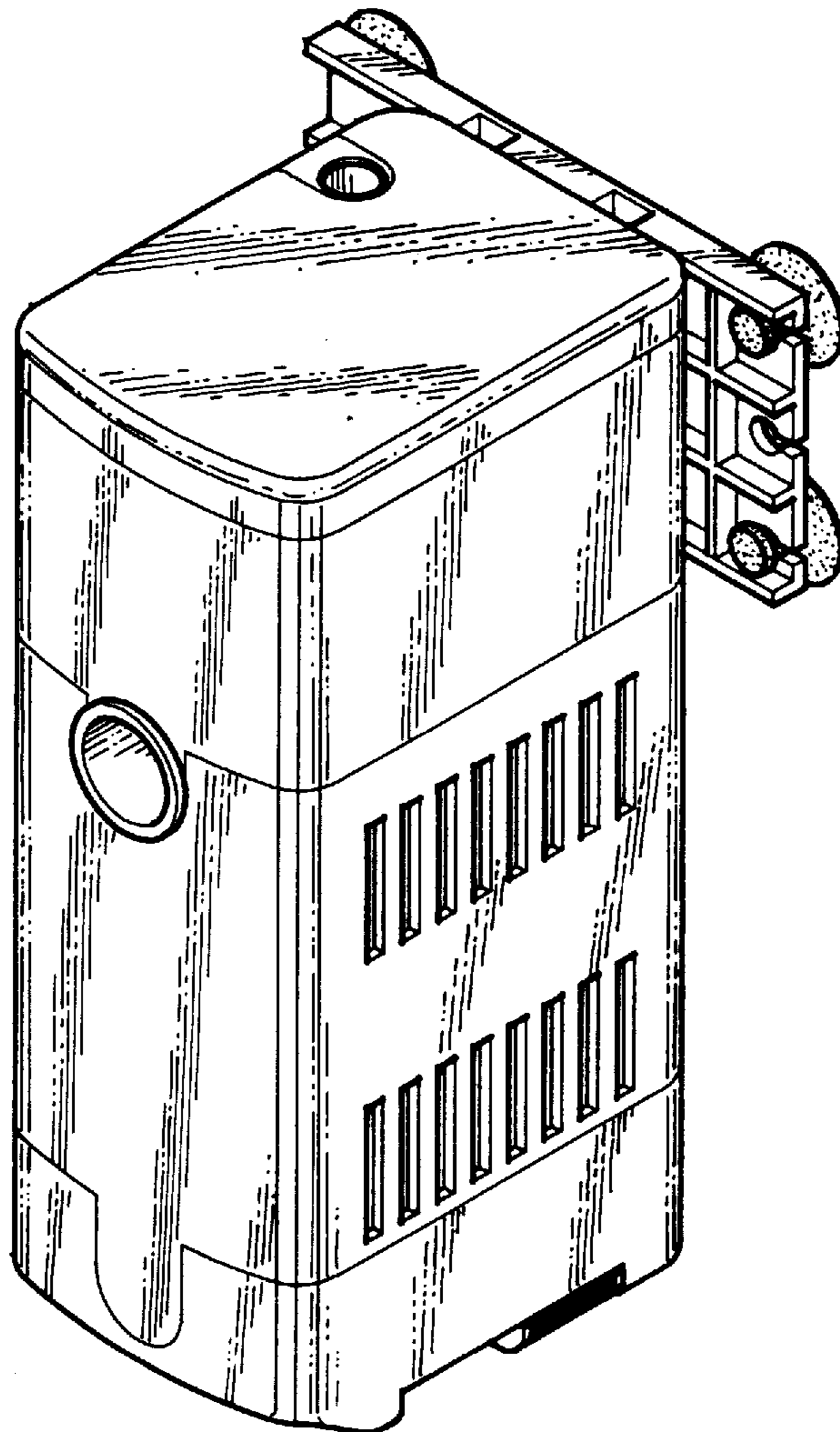
[56] References Cited

U.S. PATENT DOCUMENTS

D. 316,099 4/1991 Hartz D15/7

D. 351,602 10/1994 Rosebraugh et al. D15/7

1 Claim, 4 Drawing Sheets



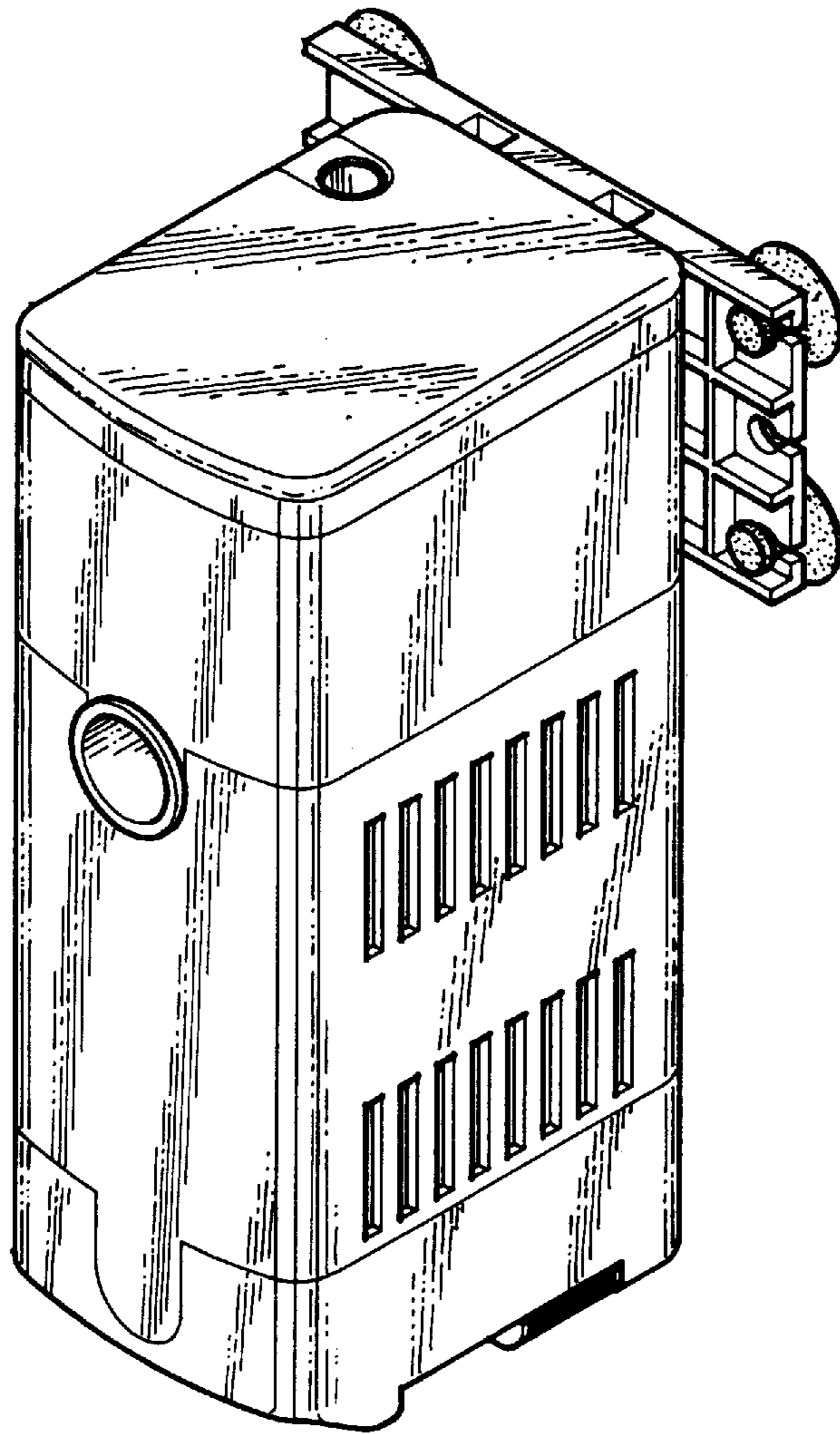


FIG. 1

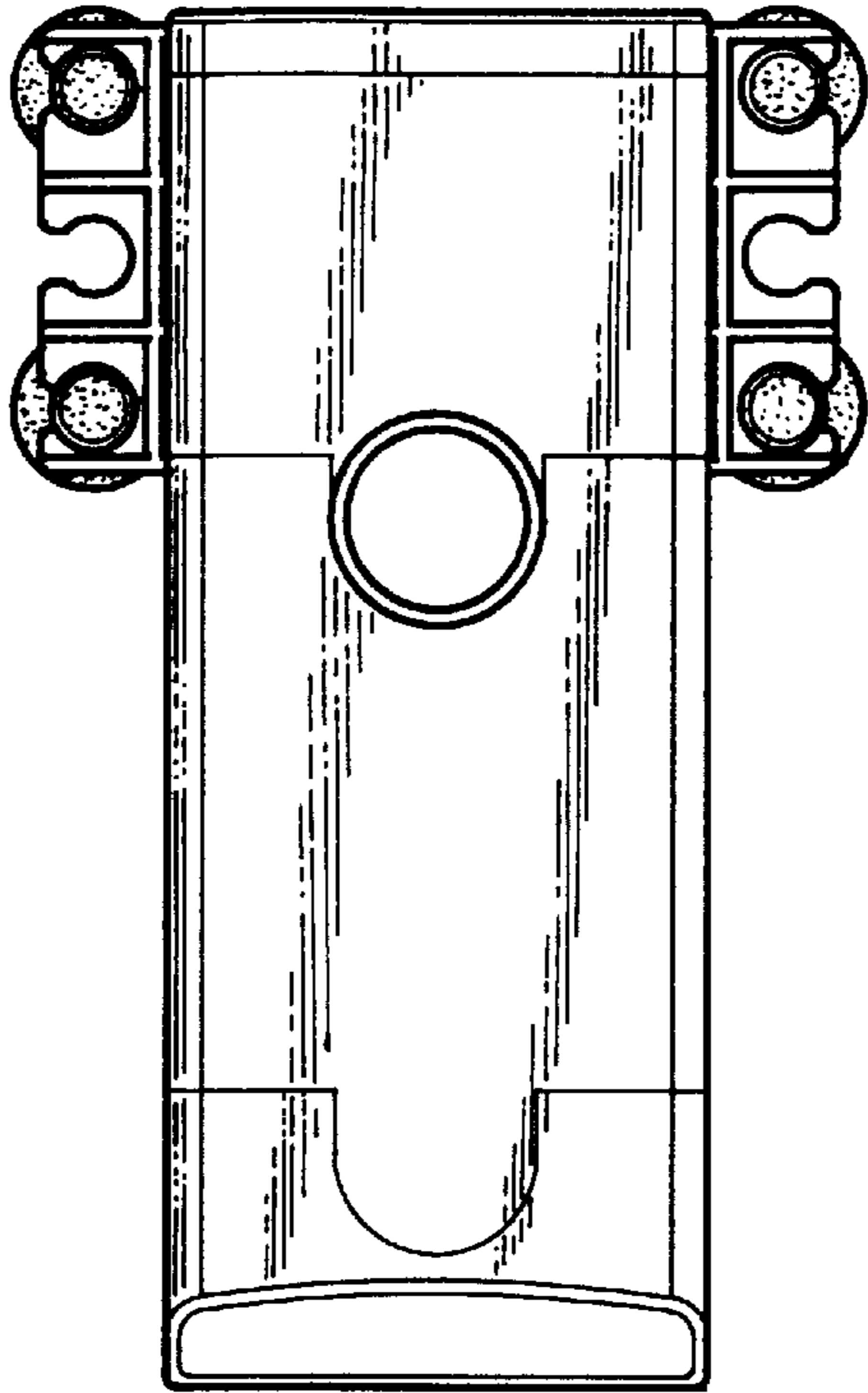


FIG. 2

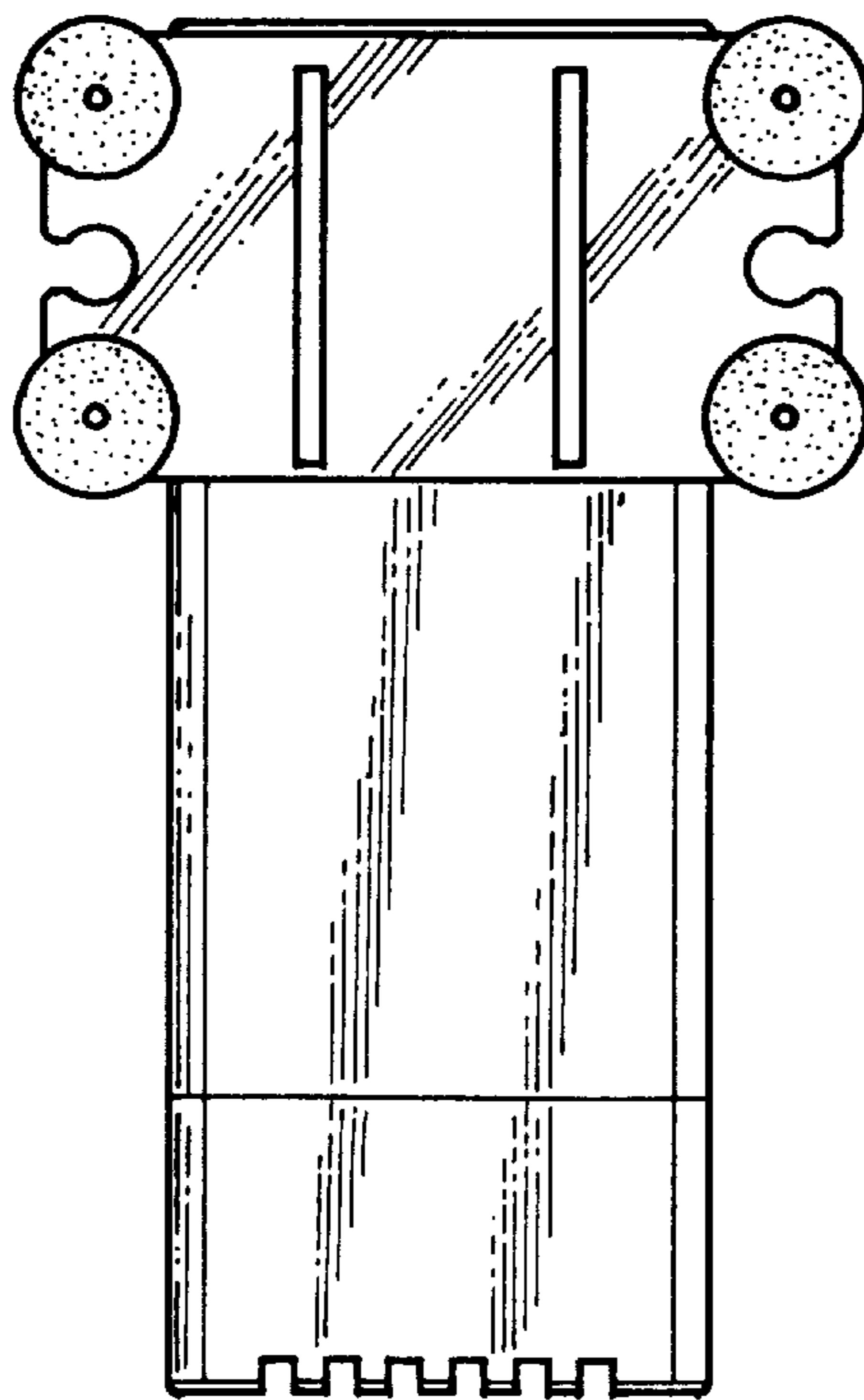


FIG. 3

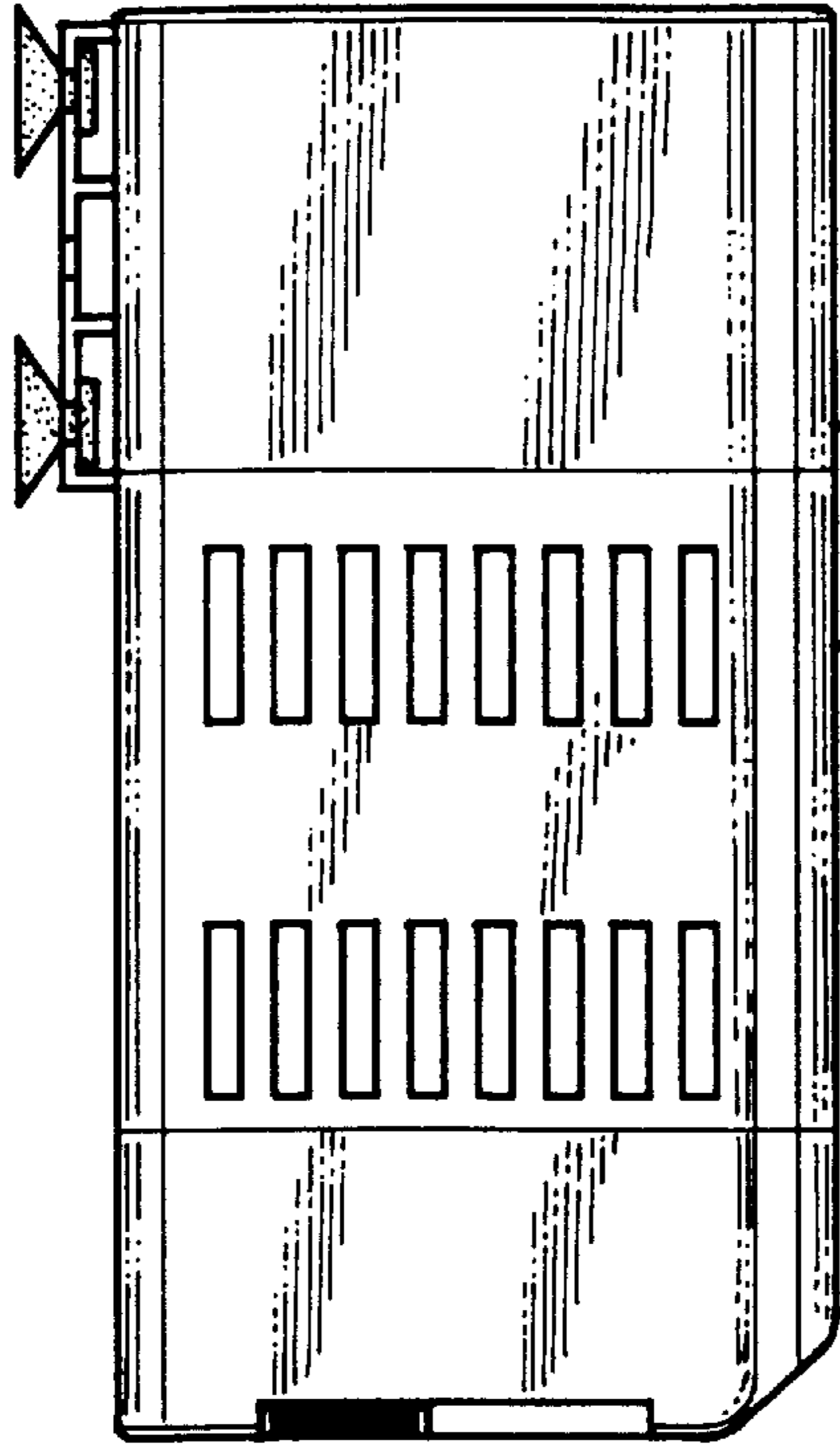


FIG. 4

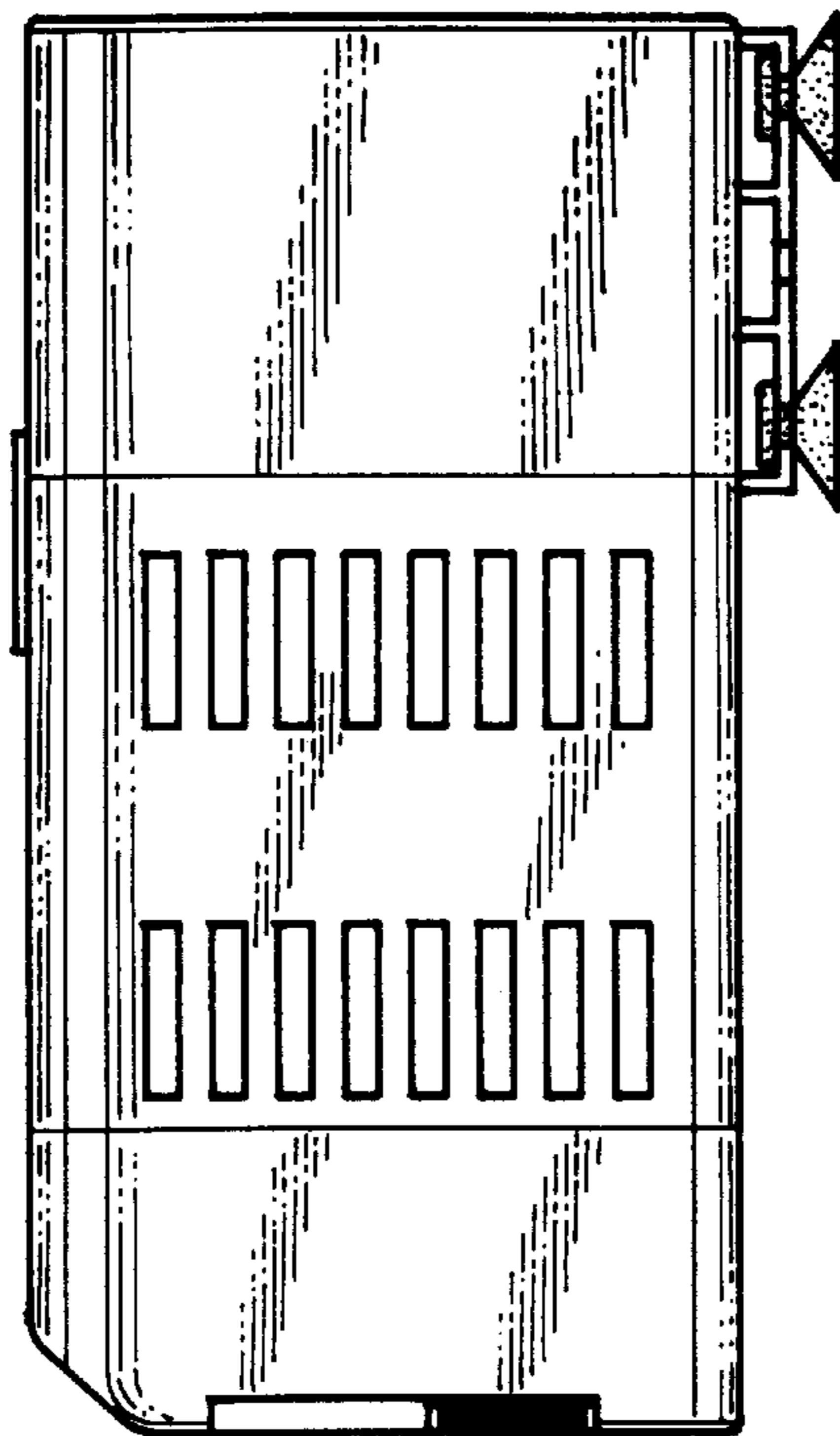


FIG. 5

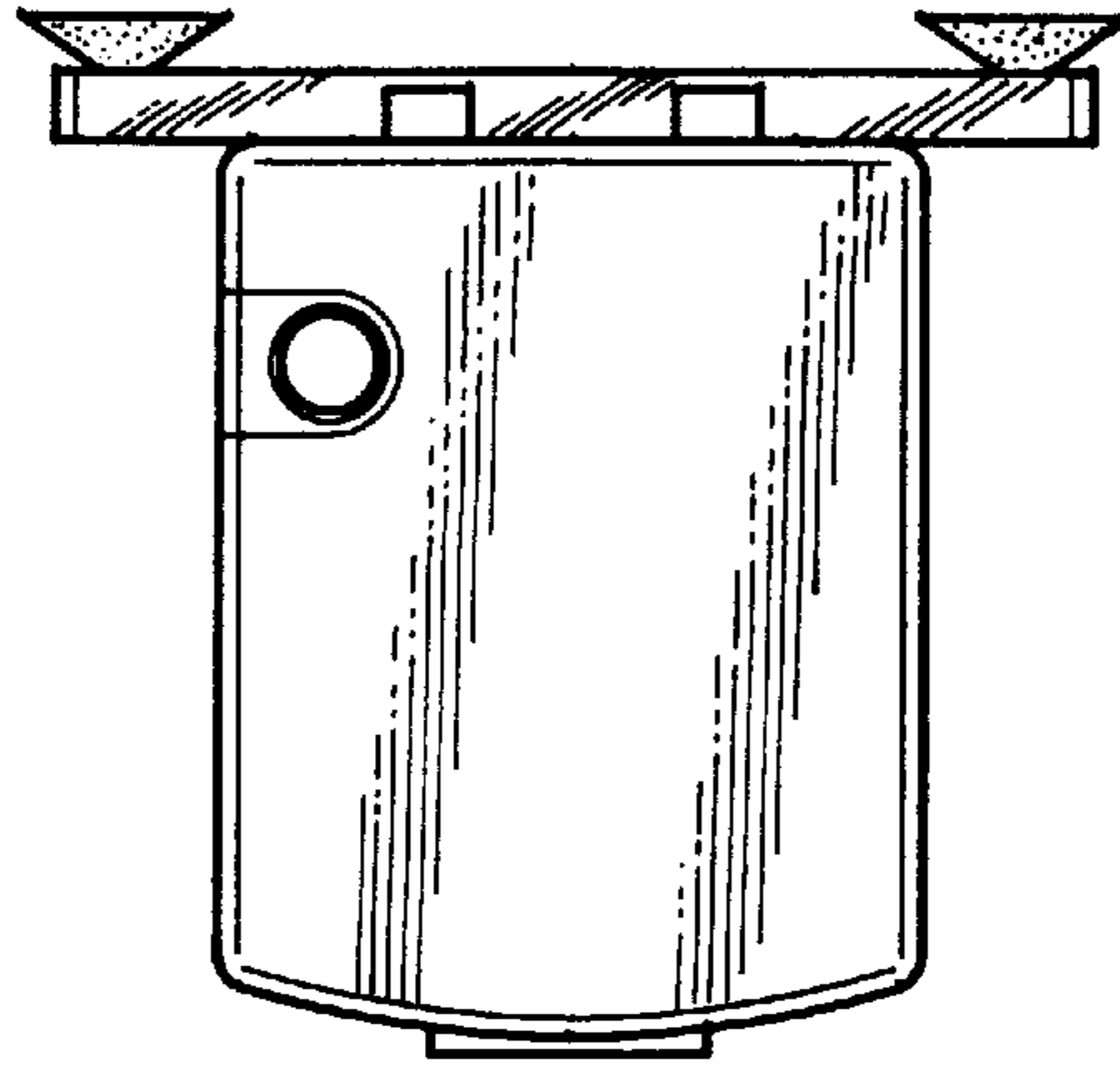


FIG. 6

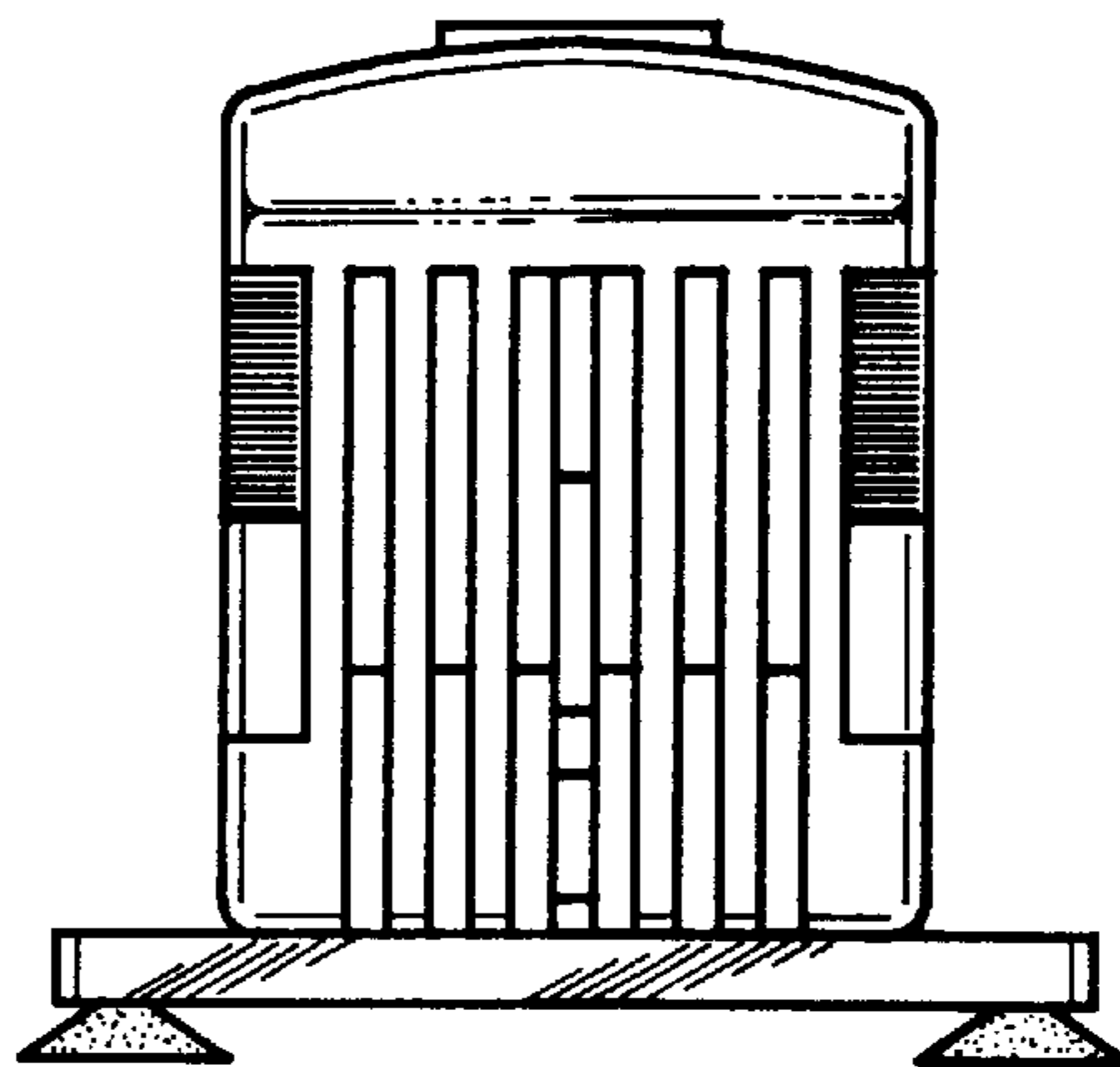


FIG. 7