



US00D404396S

United States Patent [19]

Mackie et al.

[11] Patent Number: Des. 404,396

[45] Date of Patent: **Jan. 19, 1999

[54] POWER AMPLIFIER

[75] Inventors: **Greg C. Mackie**, Kirkland; **Danilo O. Bonilla**, Seattle, both of Wash.

[73] Assignee: **Mackie Designs Inc.**, Woodinville, Wash.

[**] Term: 14 Years

[21] Appl. No.: 56,663

[22] Filed: Jul. 5, 1996

[51] LOC (6) Cl. 14-03

[52] U.S. Cl. D14/188

[58] Field of Search D14/124, 160-168, D14/188-198, 265, 299; 455/344, 347, 350, 351

[56] References Cited

U.S. PATENT DOCUMENTS

D. 267,949 2/1983 Hisatsune D14/188

D. 338,671 8/1993 Ito et al. D14/160
D. 368,261 3/1996 Shushurin D14/188

Primary Examiner—Ted Shooman
Assistant Examiner—Nanda Bondade
Attorney, Agent, or Firm—Weiss Jensen Ellis & Howard

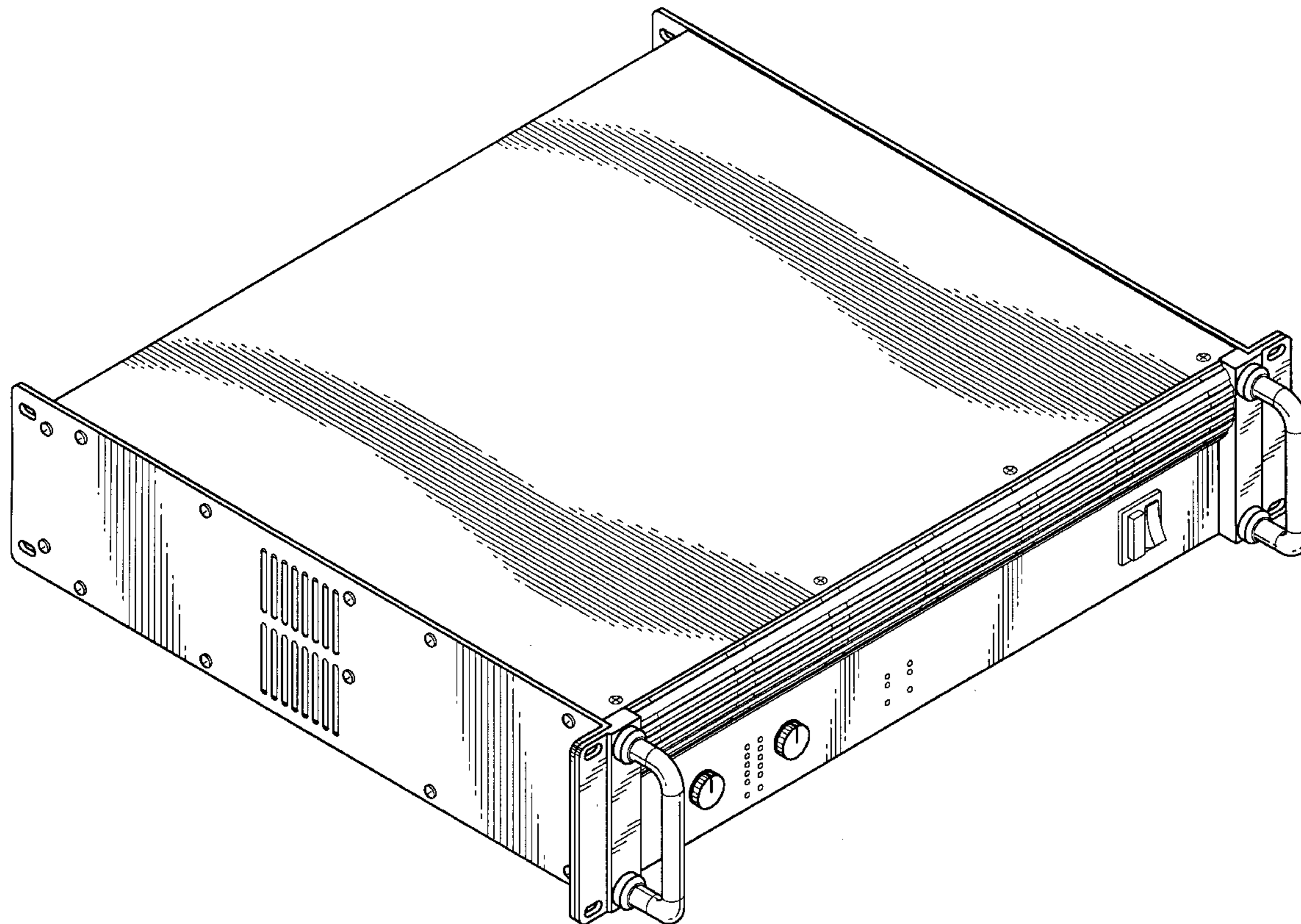
[57] CLAIM

The ornamental design for a power amplifier, as shown and described.

DESCRIPTION

FIG. 1 is a perspective view of a power amplifier showing our new design;
FIG. 2 is a front elevation view thereof;
FIG. 3 is a rear elevation view thereof;
FIG. 4 is a right side elevation view thereof;
FIG. 5 is a left side elevation view thereof;
FIG. 6 is a top plan view thereof; and,
FIG. 7 is a bottom plan view thereof.

1 Claim, 4 Drawing Sheets



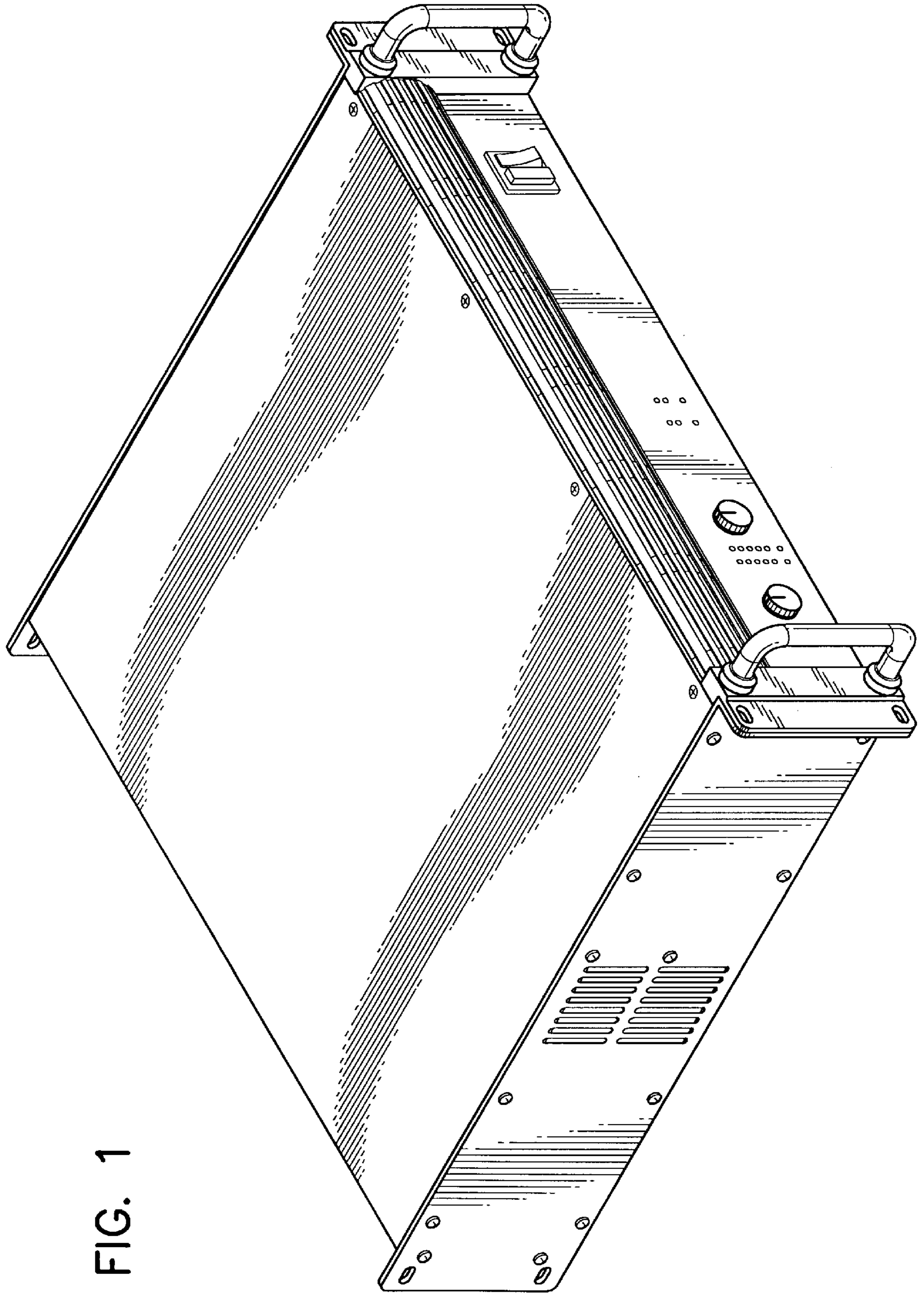


FIG. 1

FIG. 2

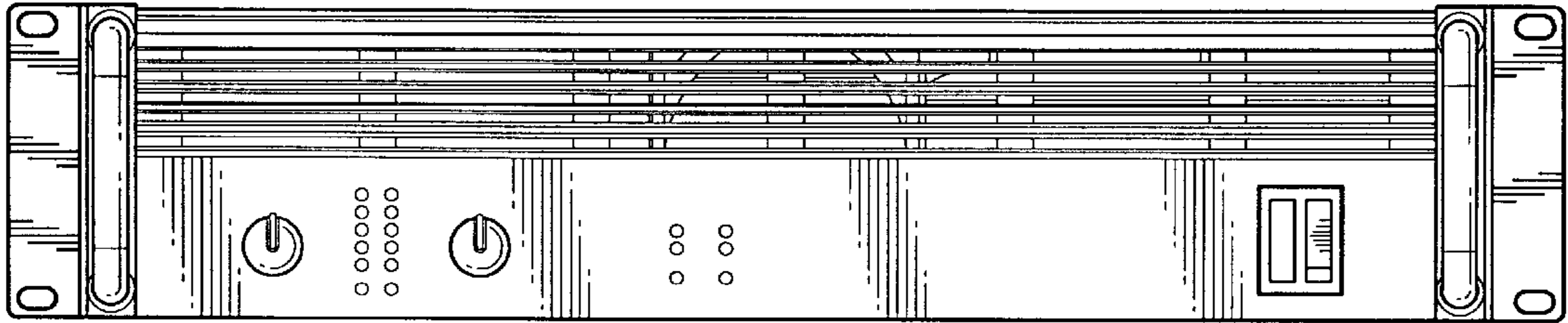


FIG. 3

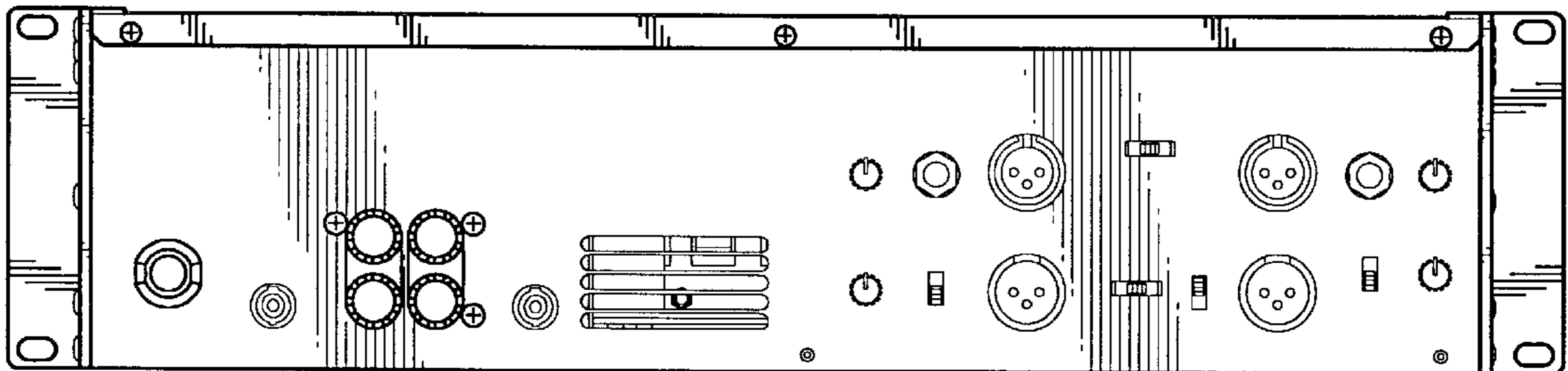


FIG. 4

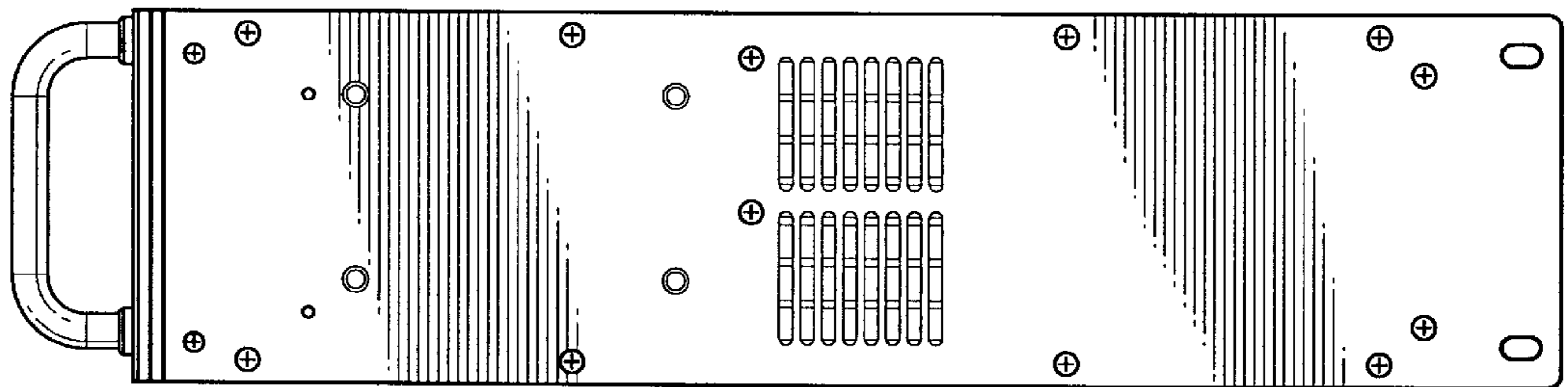


FIG. 5

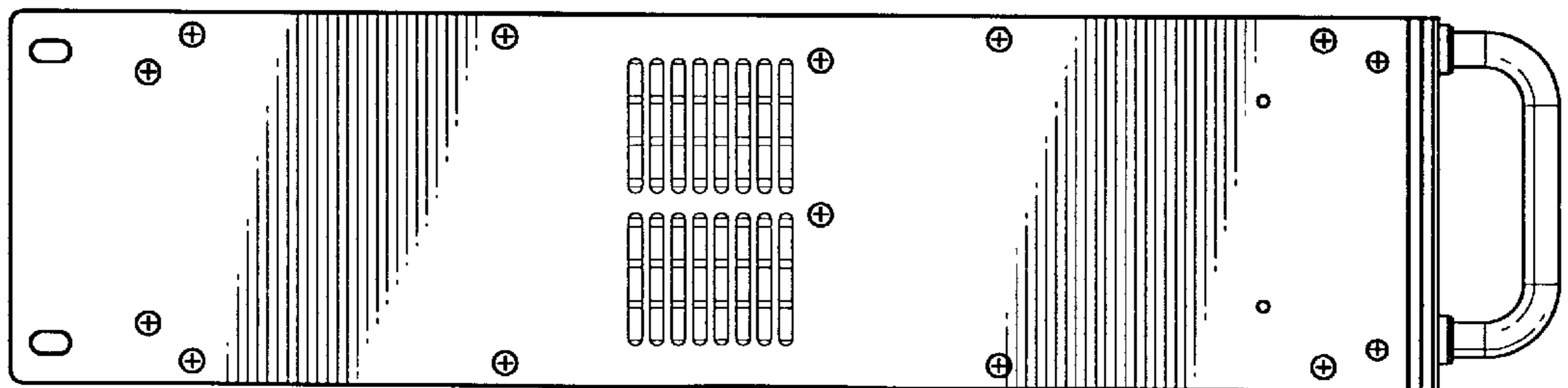


FIG. 6

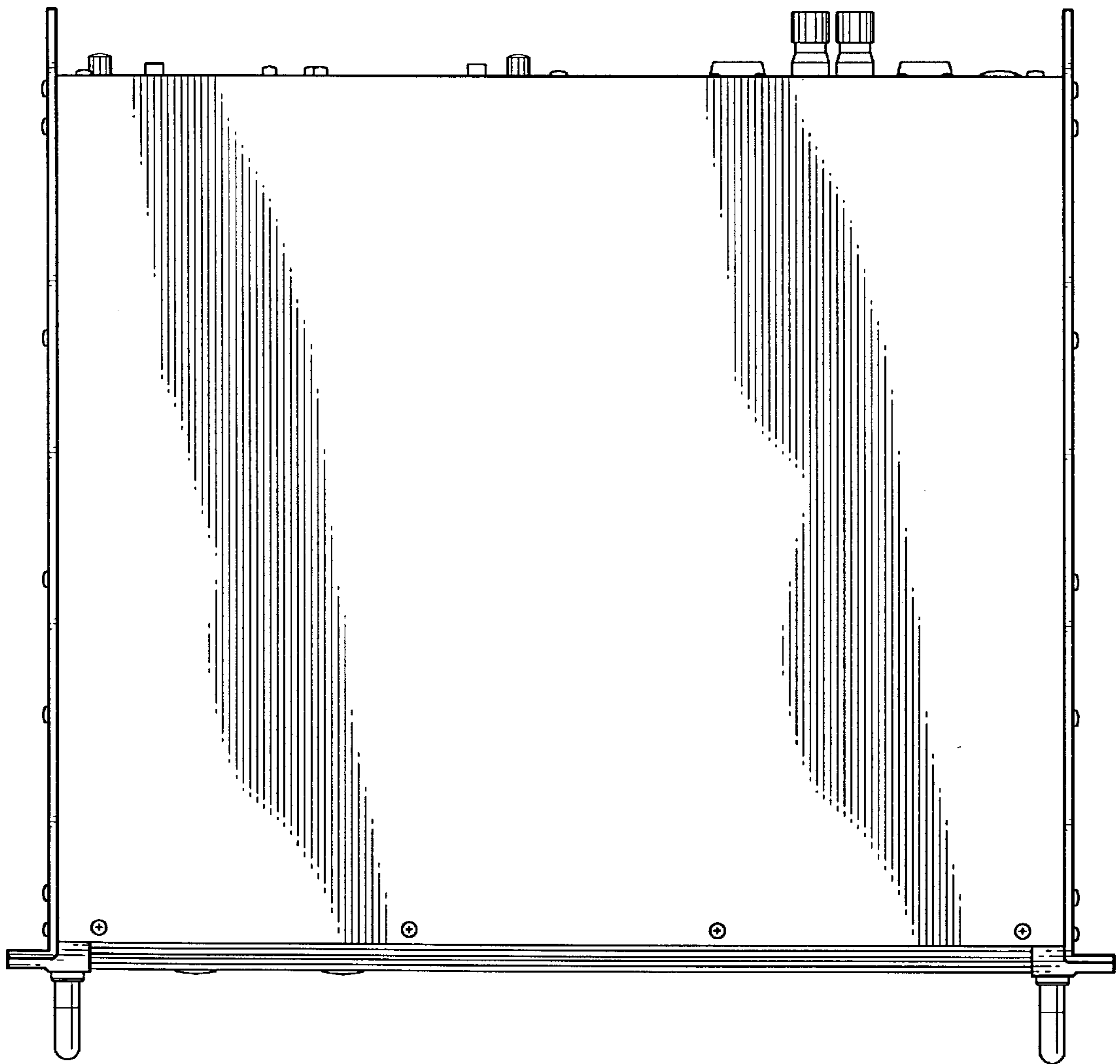


FIG. 7

