



US00D404393S

United States Patent [19] Russmann

[11] Patent Number: **Des. 404,393**

[45] Date of Patent: ****Jan. 19, 1999**

[54] **COMMUNICATION TERMINAL**

[75] Inventor: **Bernd Russmann**, Graefelfing, Germany

[73] Assignee: **Siemens Aktiengesellschaft**, Munich, Germany

[**] Term: **14 Years**

[21] Appl. No.: **75,330**

[22] Filed: **Aug. 26, 1997**

[30] **Foreign Application Priority Data**

Feb. 28, 1997 [DE] Germany M97 02 058.3

[51] **LOC (6) Cl.** **14-03**

[52] **U.S. Cl.** **D14/130; D14/101**

[58] **Field of Search** D14/137, 100, D14/101, 138, 241, 130, 148, 105, 115, 149-151, 240, 243, 140-142; 348/14, 15, 17; 379/433-436, 419, 420, 428, 440, 388-390, 110.01; D21/48

[56] **References Cited**

U.S. PATENT DOCUMENTS

D. 294,250	2/1988	Watanabe	D14/130
D. 304,564	11/1989	Kido et al.	D14/151
D. 309,304	7/1990	Takada et al.	D14/144
D. 317,757	6/1991	Yokoi et al.	D14/101
D. 323,657	2/1992	Danielson et al.	D14/151
D. 324,036	2/1992	Wakasa	D14/101
D. 328,076	7/1992	Hagiwara	D14/241
D. 330,015	10/1992	Yoshihara	D14/101

D. 337,570	7/1993	Bevilacqua et al.	D14/144 X
D. 372,225	7/1996	Martino et al.	D14/101
D. 373,346	9/1996	Hwang	D14/101
5,369,700	11/1994	Koura et al.	379/387

Primary Examiner—Jeffrey Asch
Attorney, Agent, or Firm—Hill & Simpson

[57] **CLAIM**

The ornamental design for a communication terminal, as shown and described.

DESCRIPTION

FIG. 1 is a top view of a communication terminal showing my new design, with the keyboard in an extended operating position, and with a telephone handpiece in broken lines for illustrative purposes only, not forming a part of the claimed design;

FIG. 2 is a perspective view from the right side of the communication terminal of FIG. 1;

FIG. 3 is a front view of the communication terminal of FIG. 1;

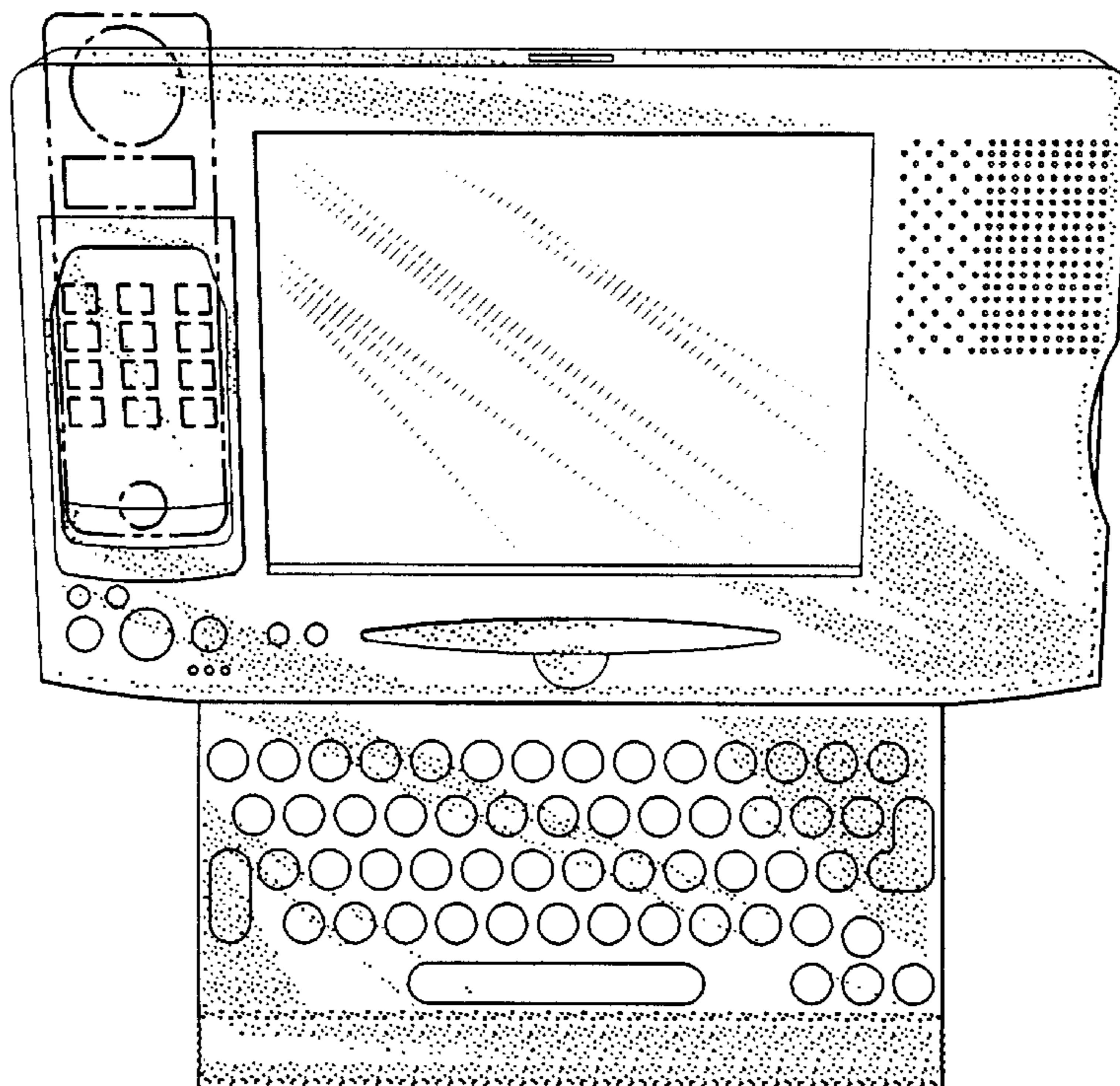
FIG. 4 is a perspective view of the left side of the communication terminal of FIG. 1;

FIG. 5 is a back elevational view of the communication terminal of FIG. 1;

FIG. 6 is a bottom plan view of the communication terminal keyboard in a retracted, stored position; and,

FIG. 7 is a top view of the communication terminal of FIG. 1, with the keyboard in a retracted and stored position, and with a telephone handpiece in broken lines for illustrative purposes only, not forming a part of the claimed design.

1 Claim, 4 Drawing Sheets



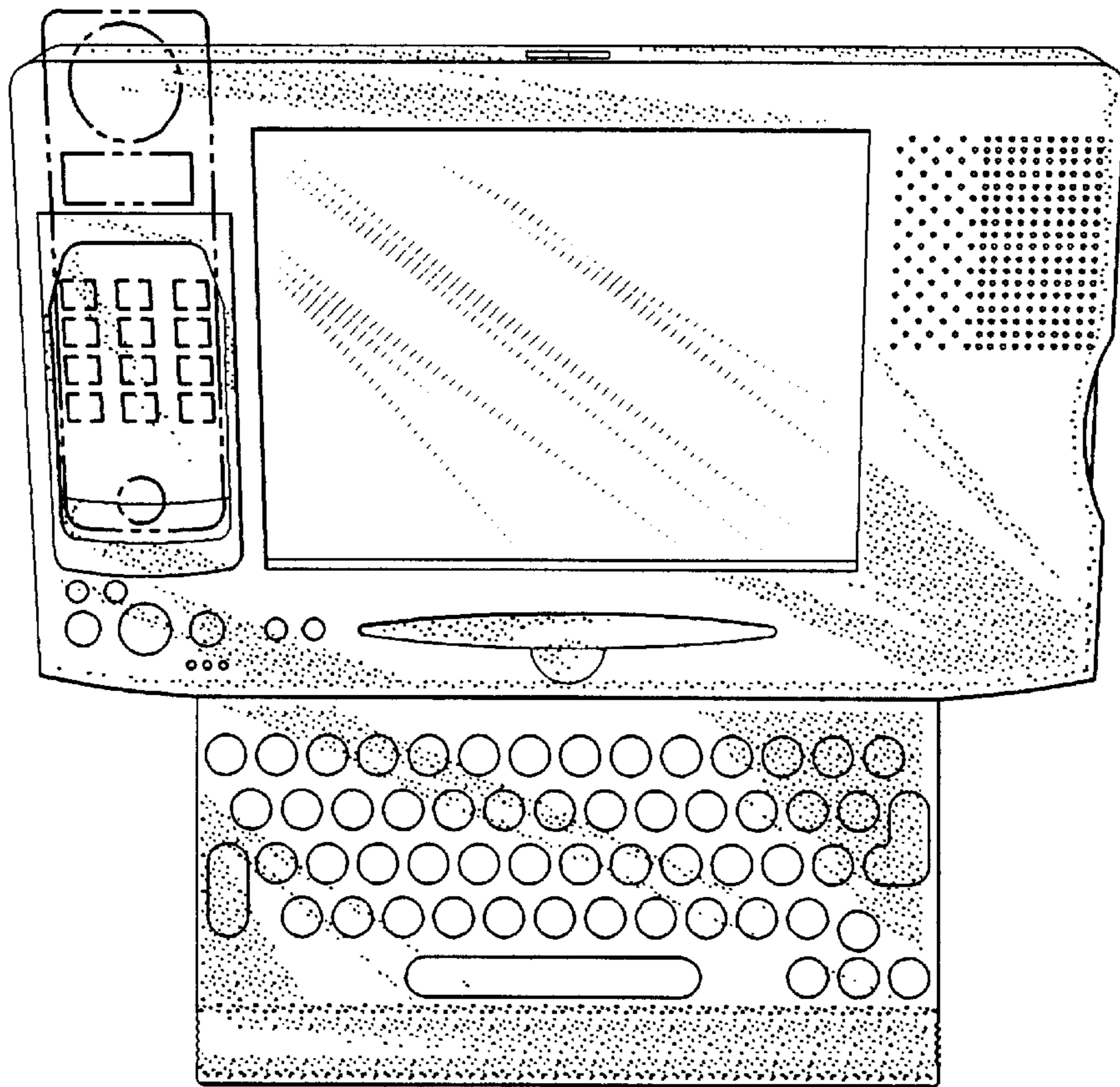


FIG. 1

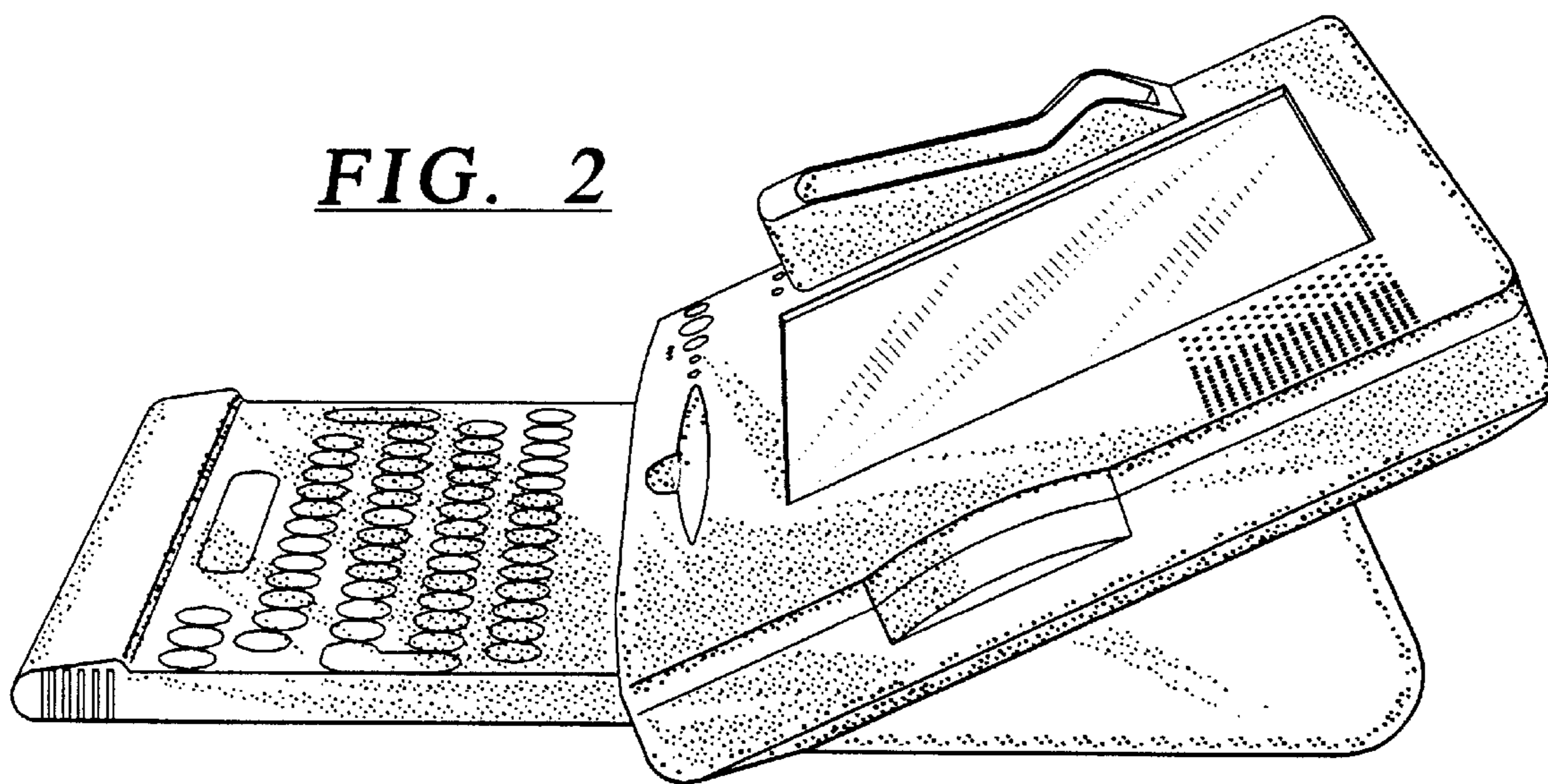


FIG. 2

FIG. 3

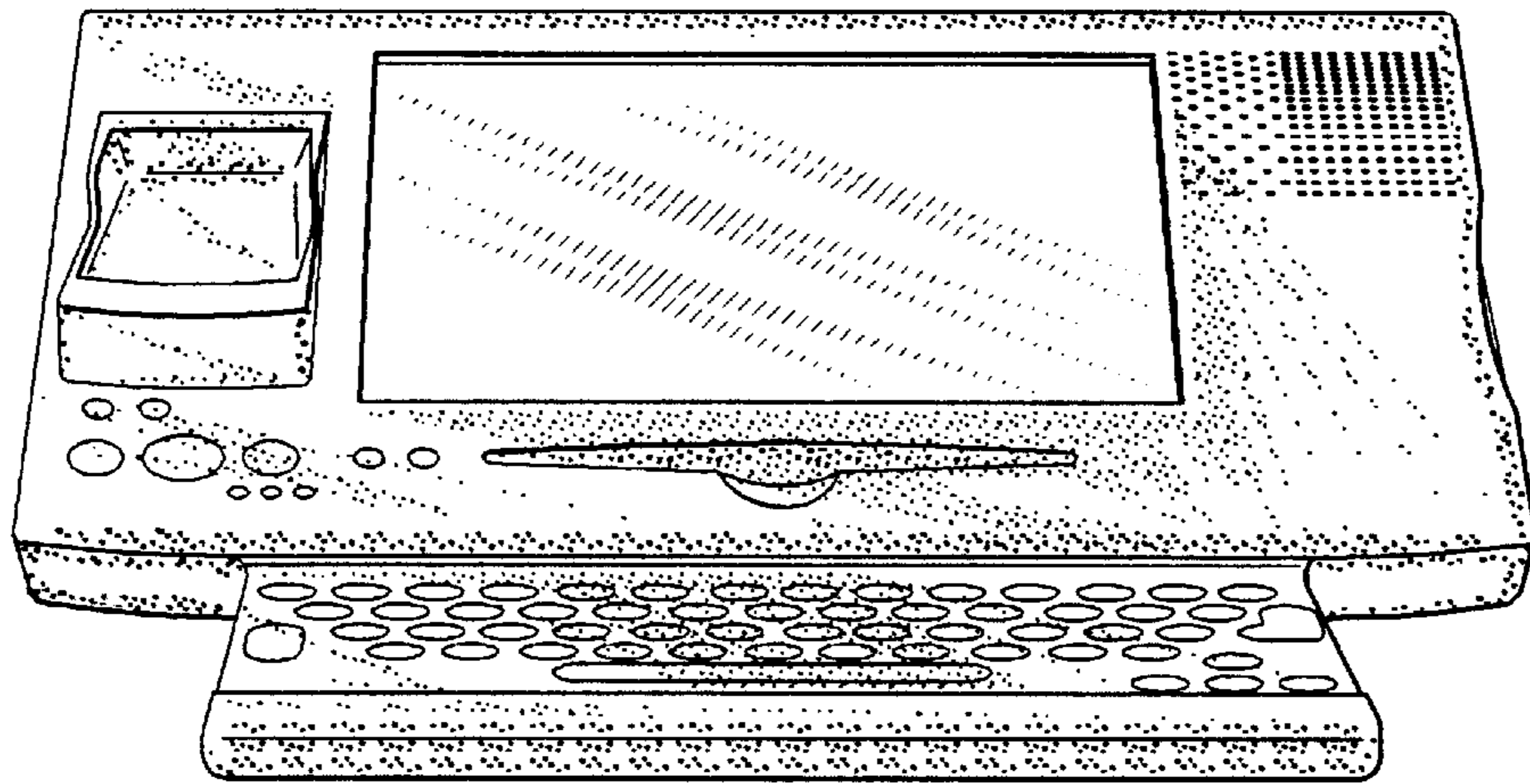


FIG. 4

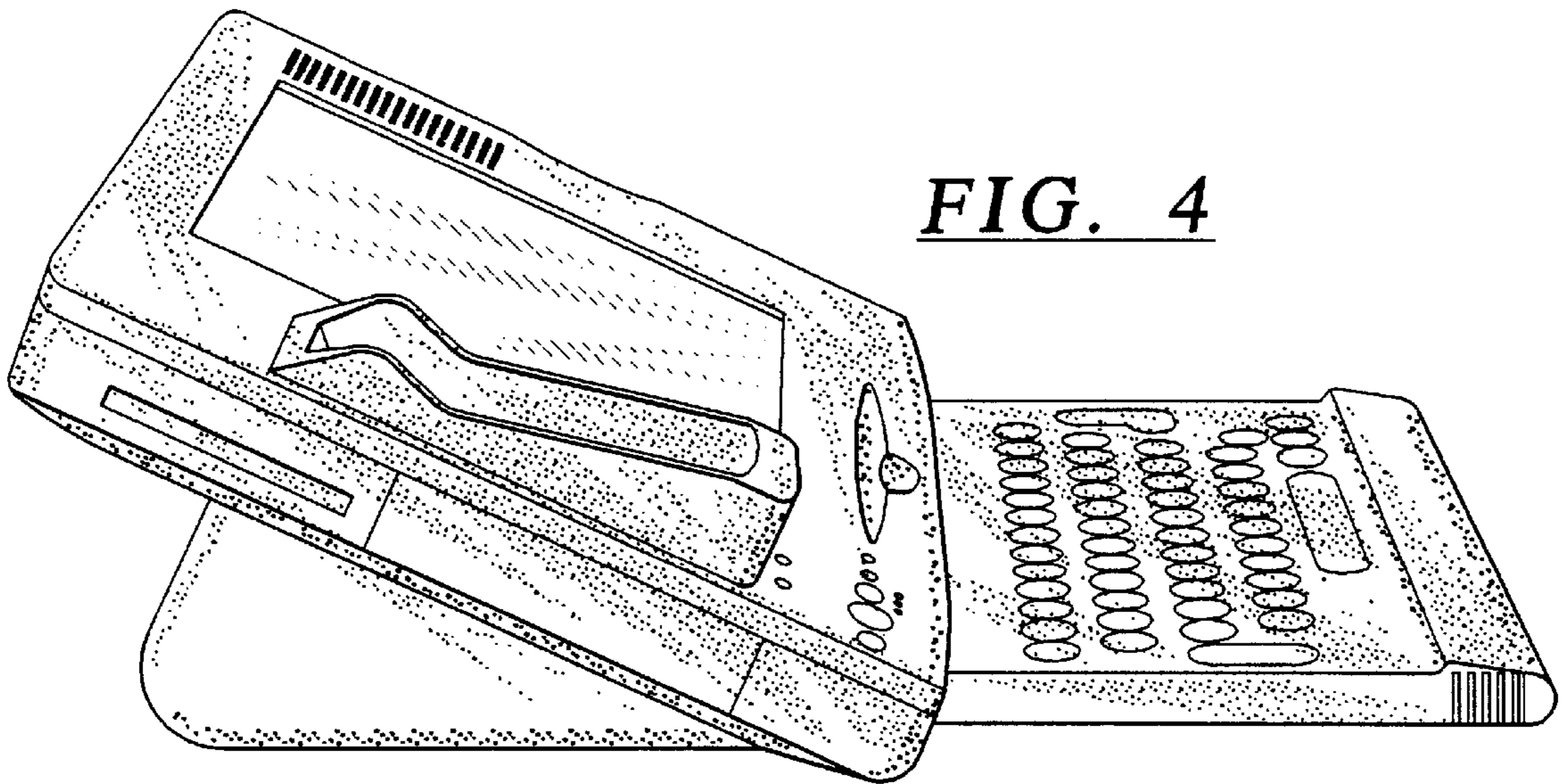


FIG. 5

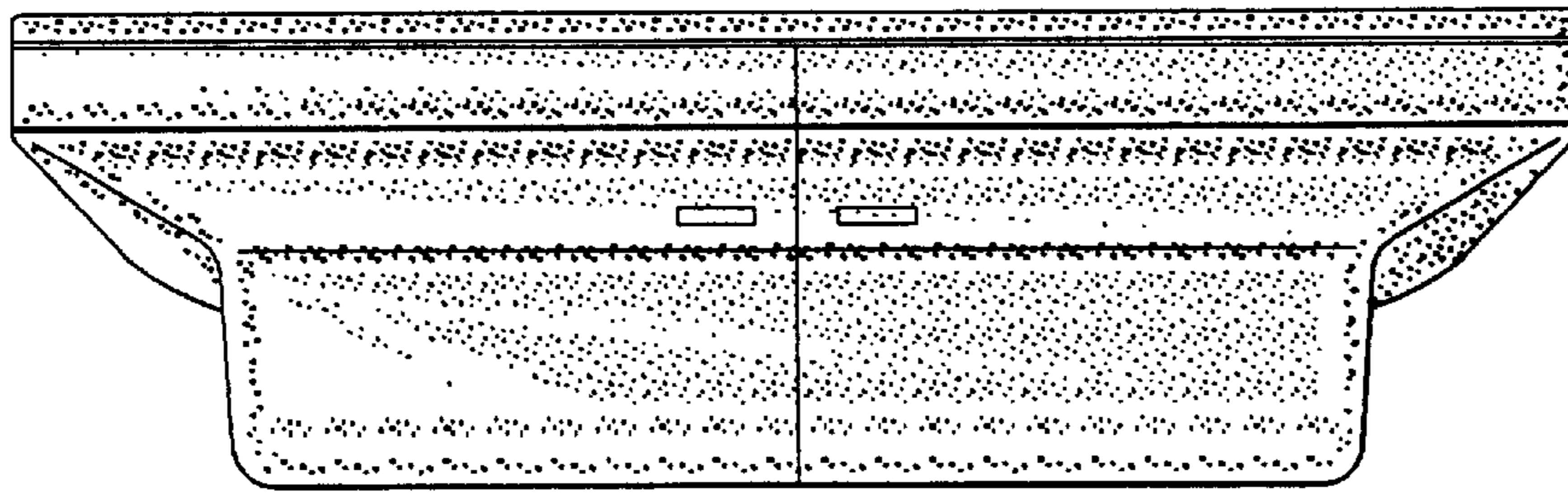


FIG. 6

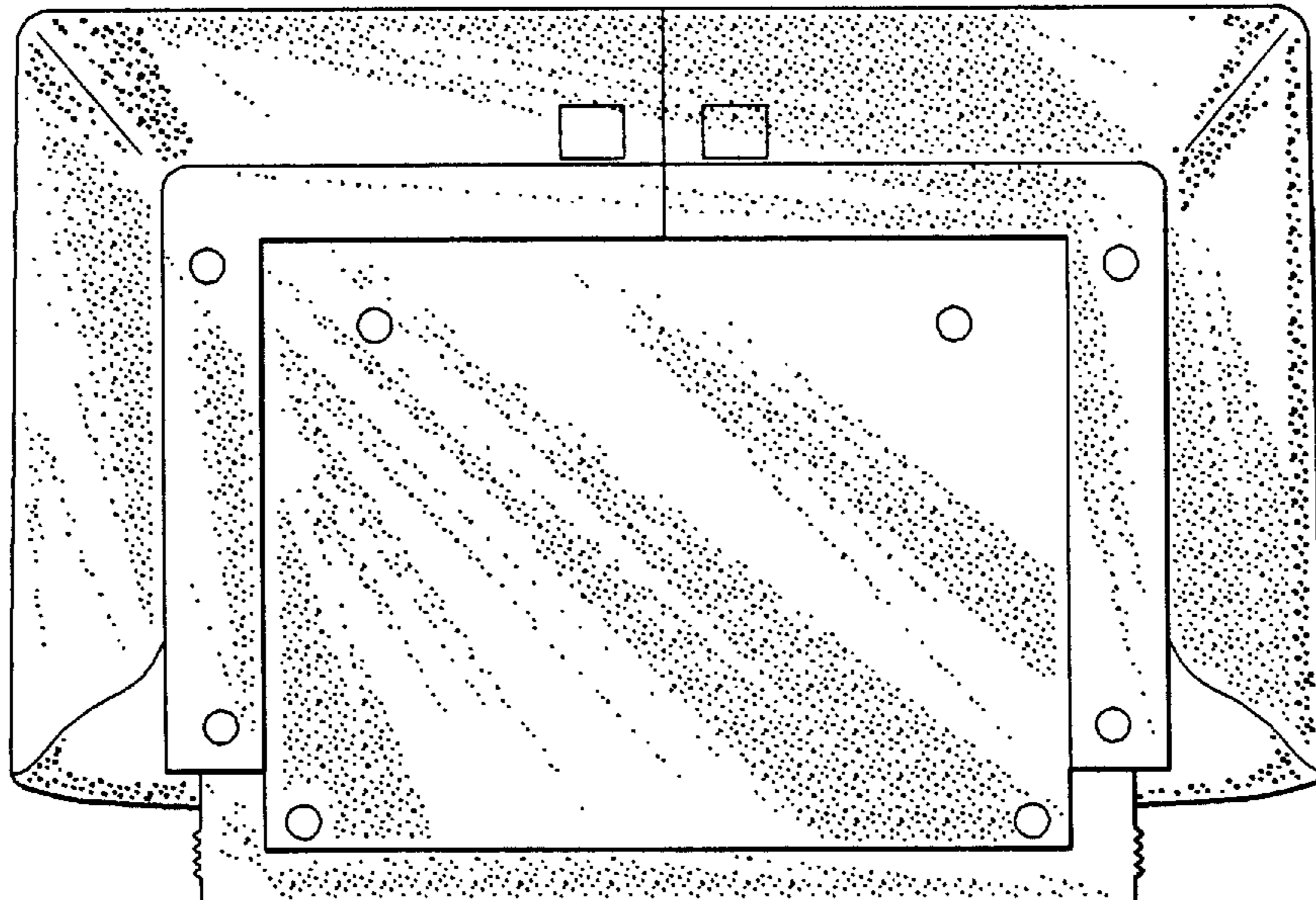


FIG. 7

