



US00D404381S

United States Patent [19]

Roderman et al.

[11] Patent Number: **Des. 404,381**

[45] Date of Patent: ****Jan. 19, 1999**

[54] UPRIGHT TOUCH SCREEN TERMINAL

[75] Inventors: **Brian Roderman; Tony Schoemaker; Brian Spate**, all of Plano; **Tony Formby**, Fort Worth, all of Tex.

[73] Assignee: **VingCard A.S.**, Norway

[**] Term: **14 Years**

[21] Appl. No.: **79,091**

[22] Filed: **Nov. 7, 1997**

[51] LOC (6) Cl. **14-02**

[52] U.S. Cl. **D14/113; D14/126**

[58] Field of Search D14/100, 106, D14/113, 101, 124-129; 248/917-924; 345/104, 133, 156, 168, 173, 87, 901-905; 348/180, 184, 325, 739

[56] References Cited

U.S. PATENT DOCUMENTS

D. 355,646 2/1995 Yasuno et al. D14/113

D. 364,857 12/1995 Chou D14/113
5,100,098 3/1992 Hawkins 248/917

Primary Examiner—Freda Nunn

Attorney, Agent, or Firm—Bierman, Muserlian and Lucas

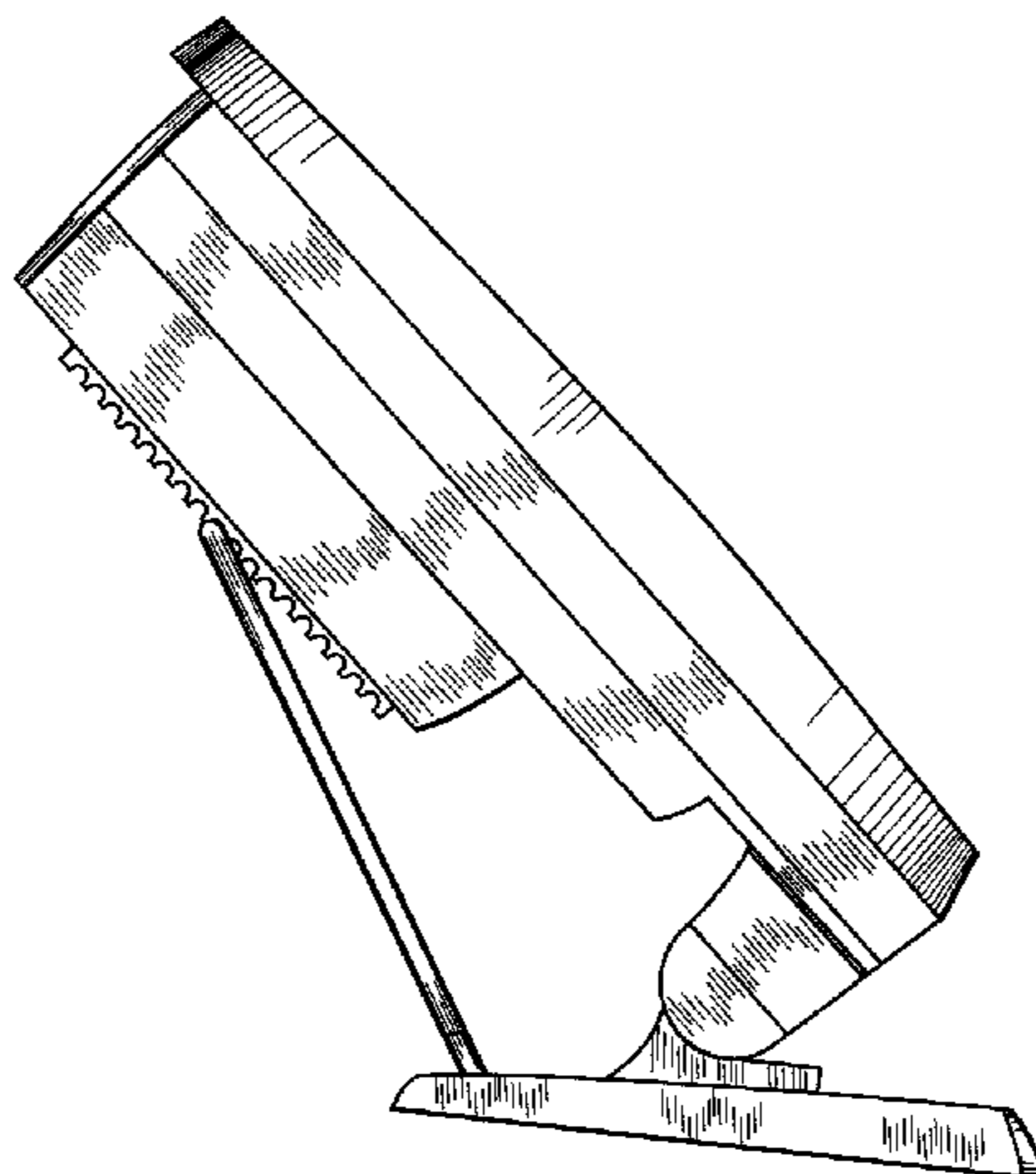
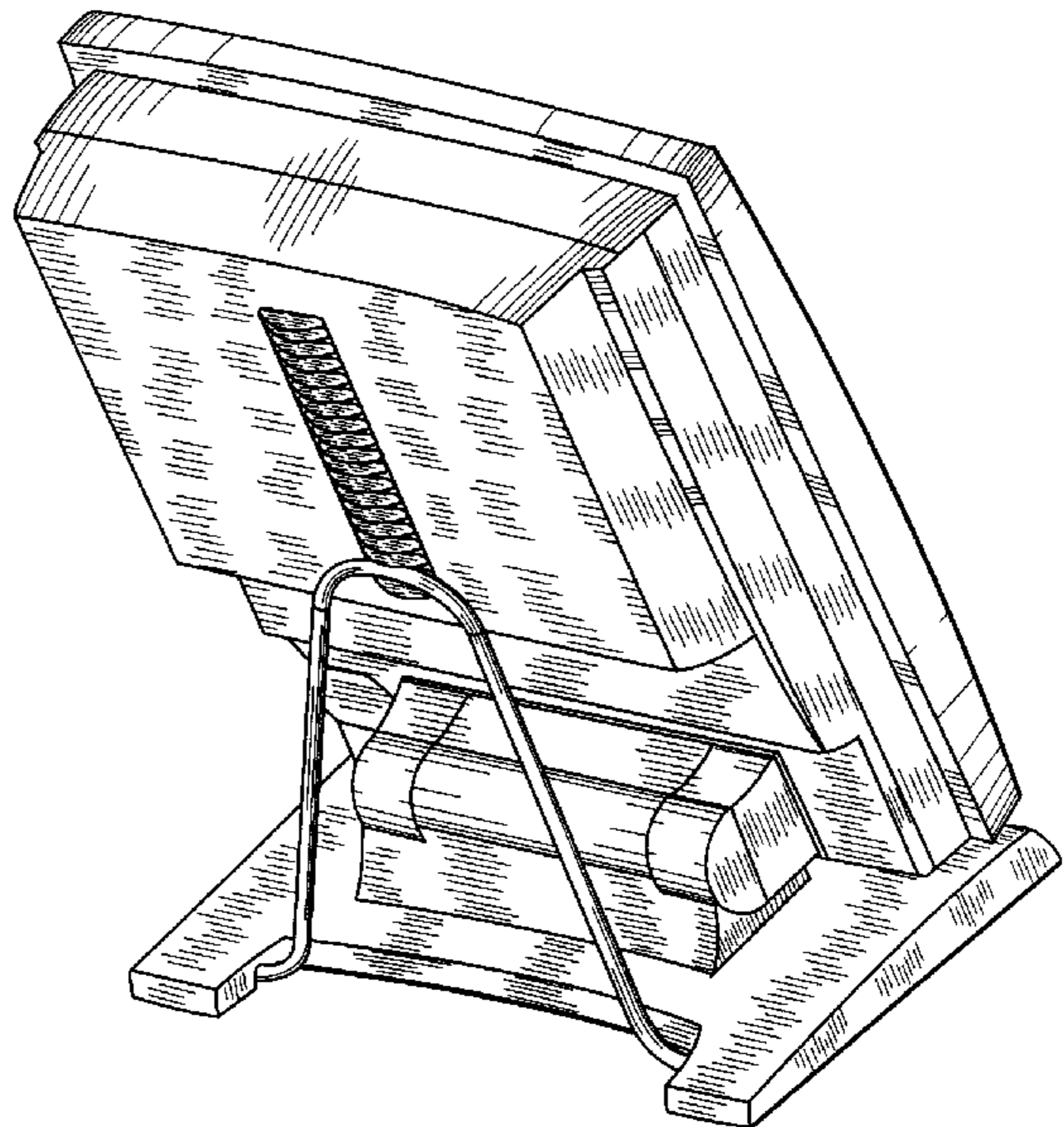
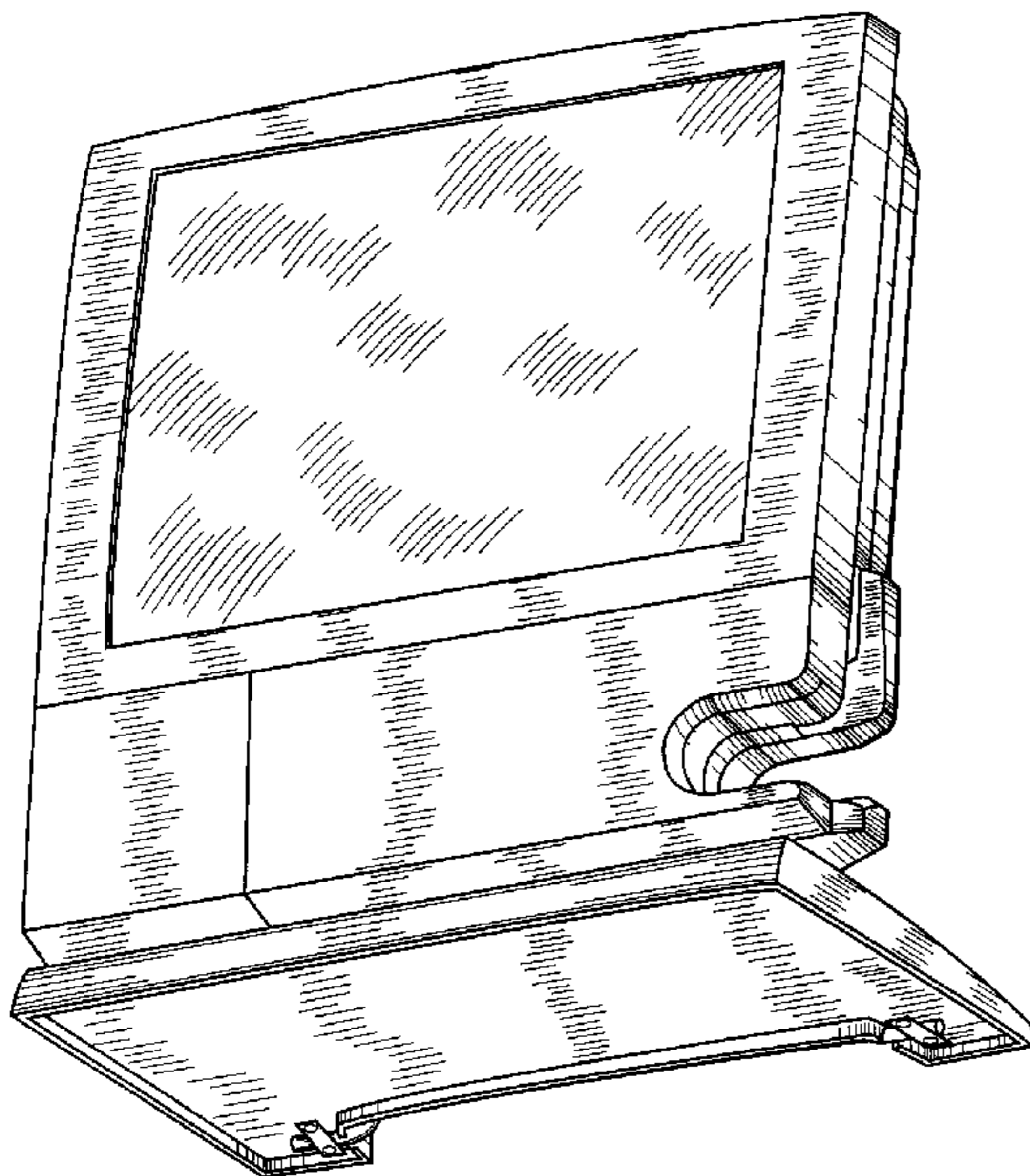
[57] CLAIM

The ornamental design for an upright touch screen terminal, as shown and described.

DESCRIPTION

FIG. 1 is a perspective view of an upright touch screen terminal showing our new design; FIG. 2 is a perspective view of the back thereof; FIG. 3 is a front view thereof; FIG. 4 is a back view thereof; FIG. 5 is a left side view thereof; FIG. 6 is a right side view thereof; FIG. 7 is a top view thereof; FIG. 8 is a bottom view thereof; FIG. 9 is a side view thereof tilted backward; and, FIG. 10 is a side view thereof tilted all the way back.

1 Claim, 7 Drawing Sheets



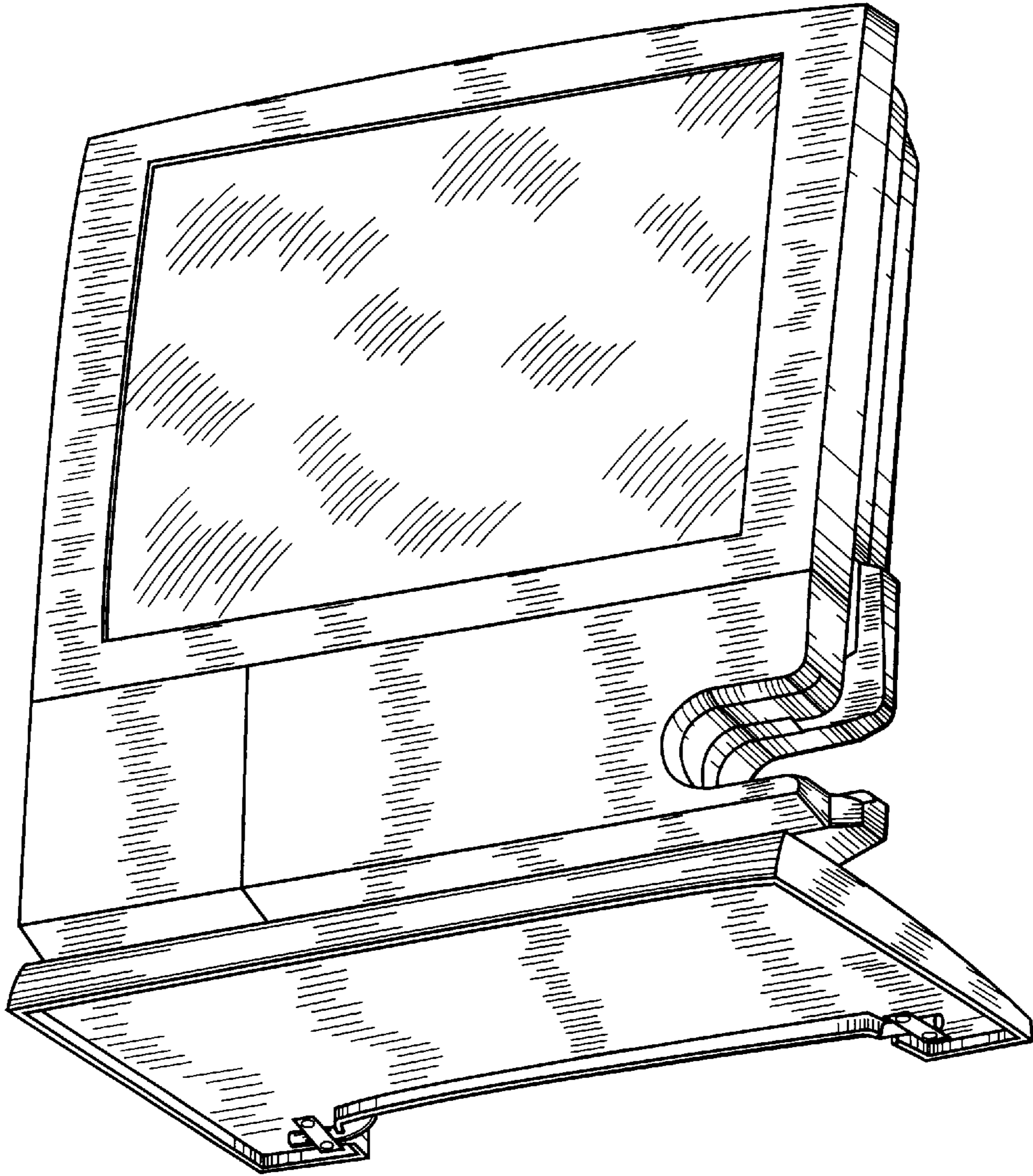


FIG. 1

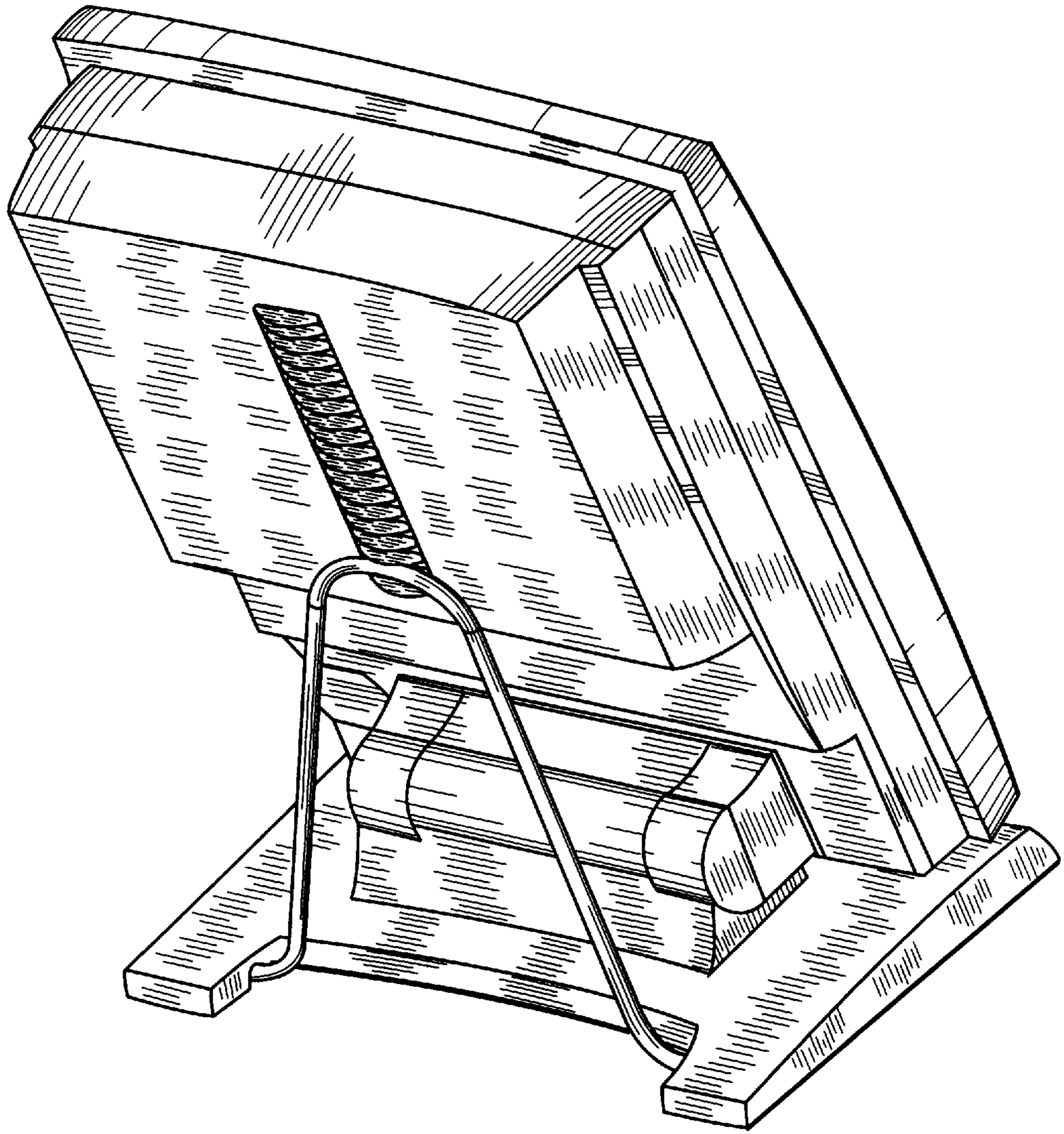


FIG. 2

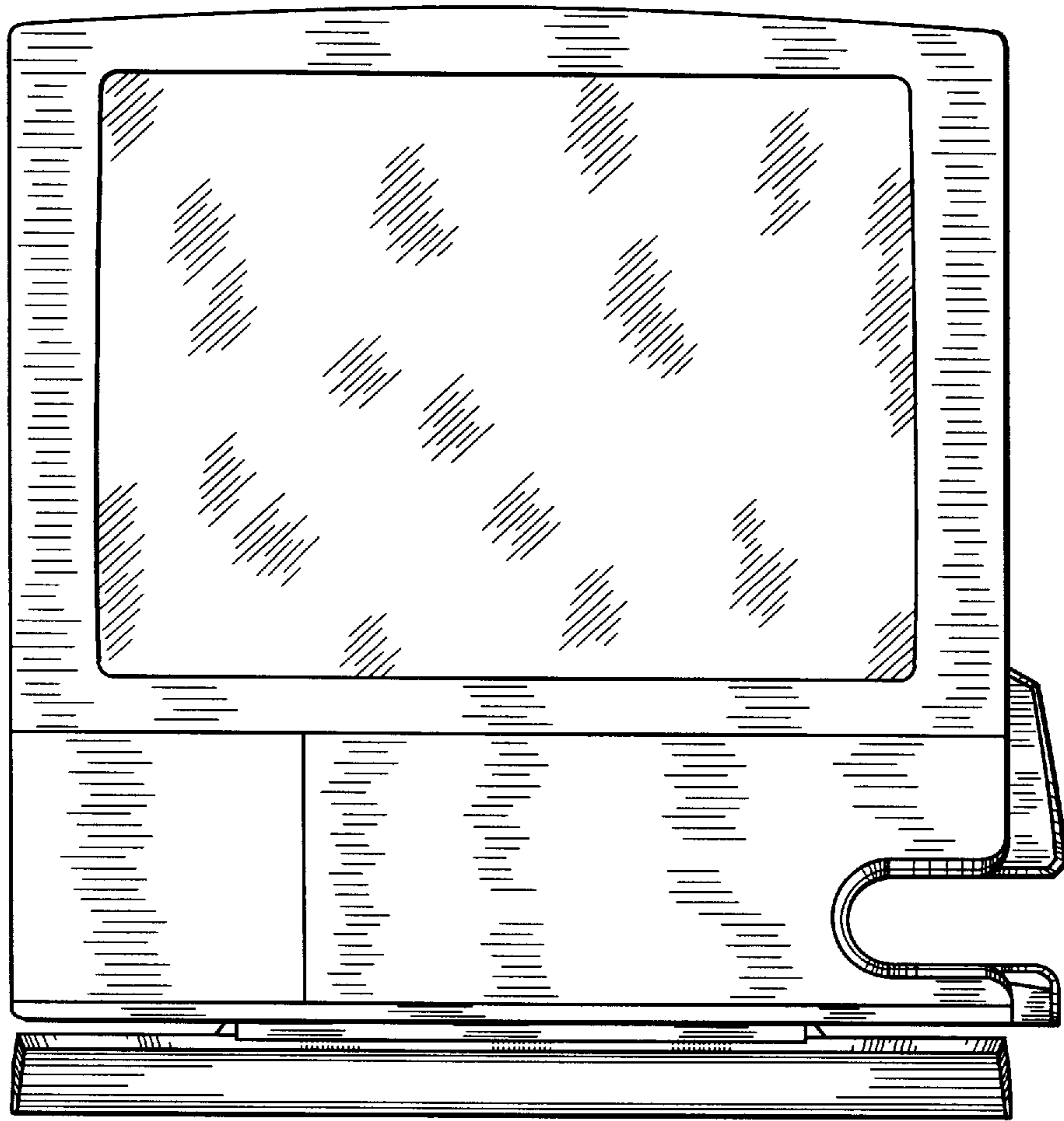


FIG. 3

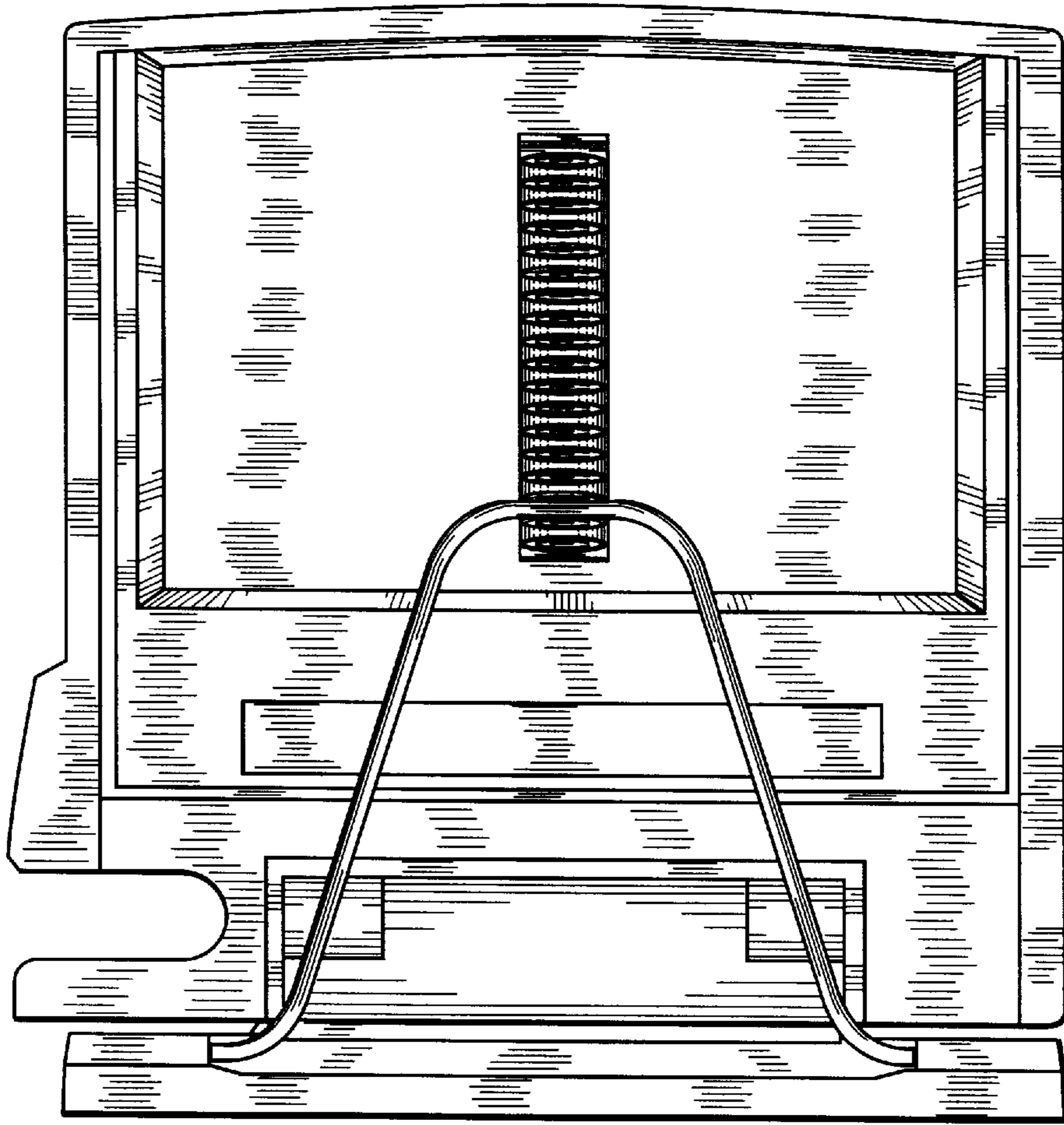


FIG. 4

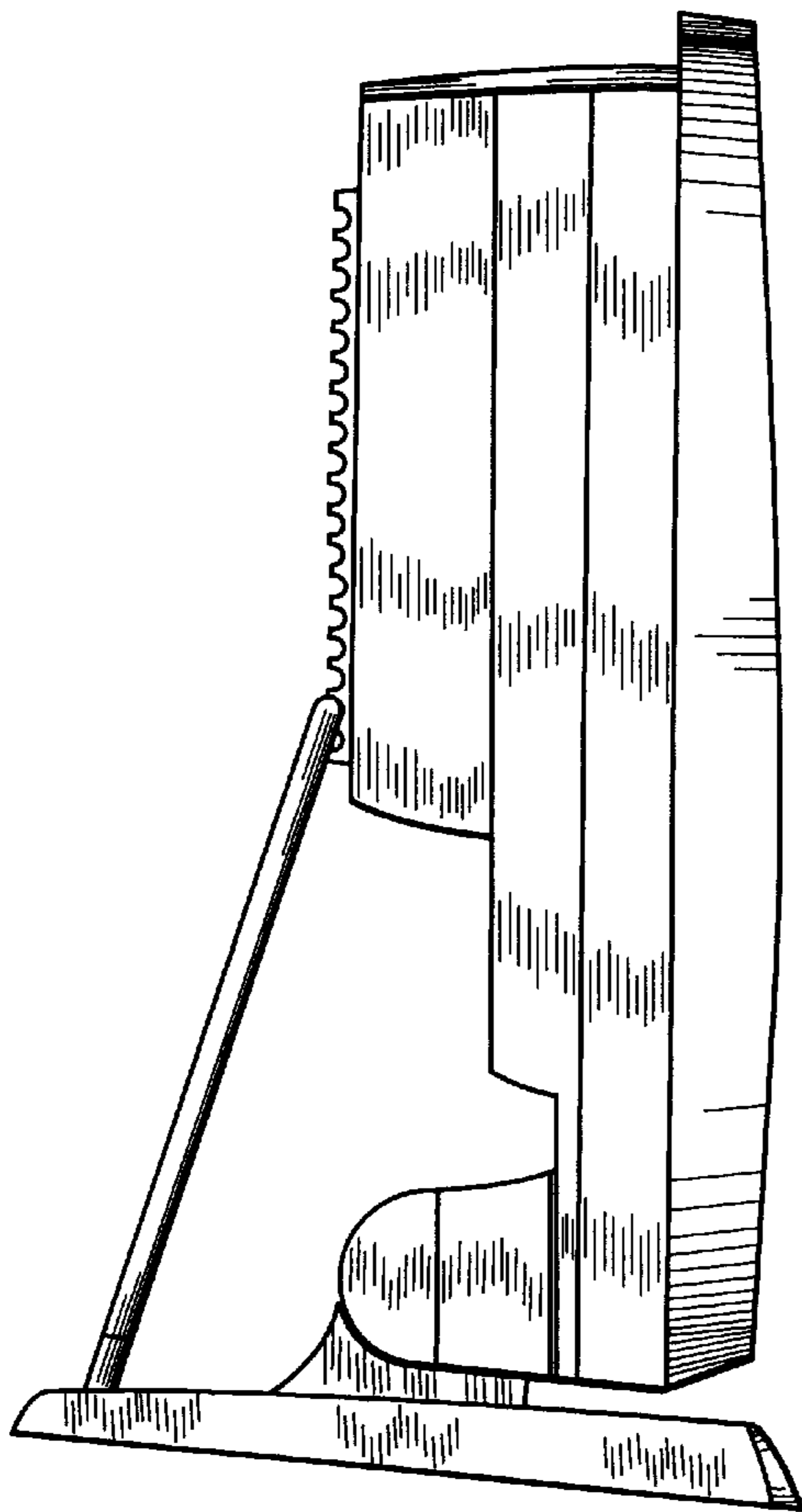


FIG. 5

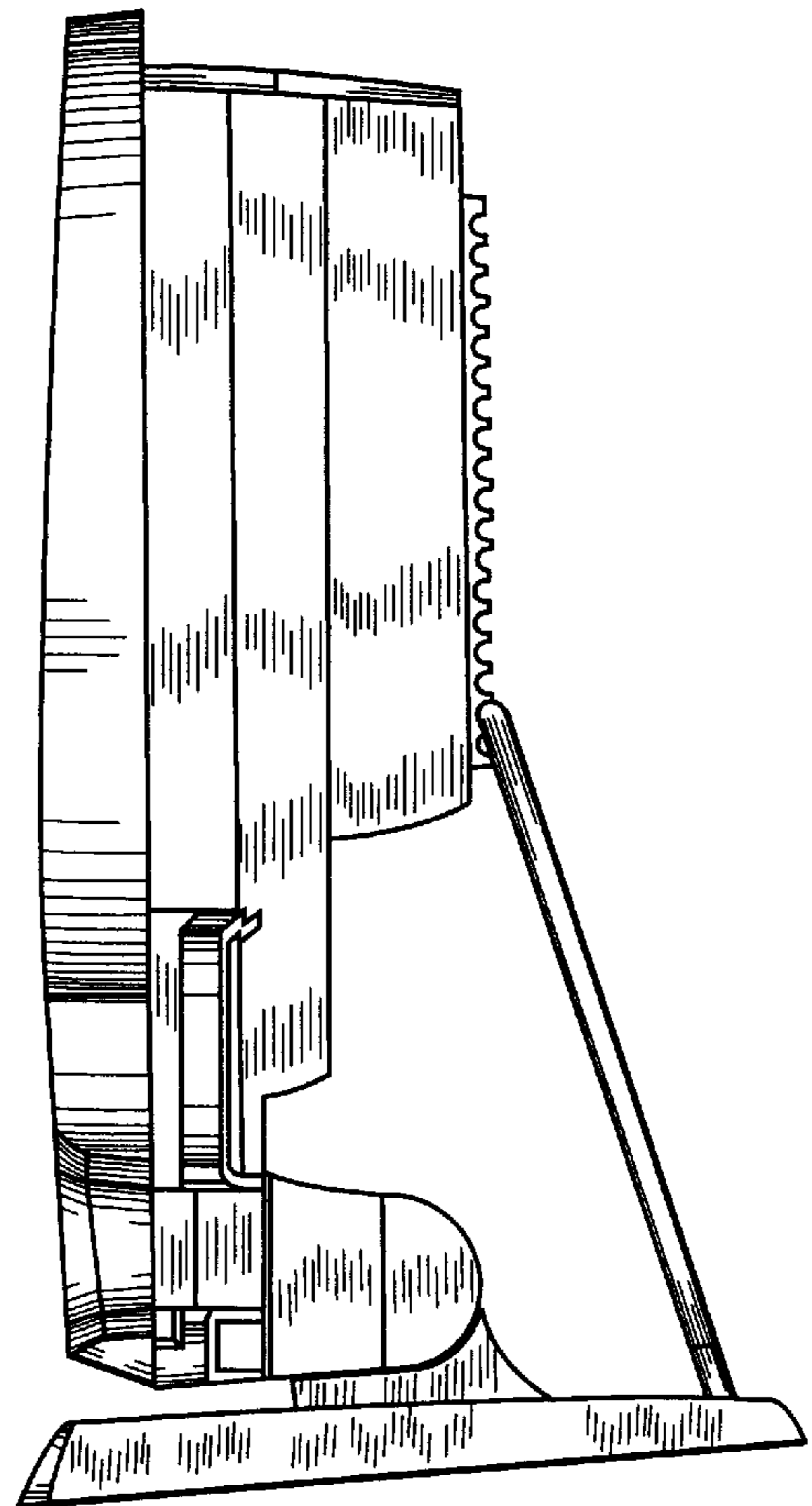


FIG. 6

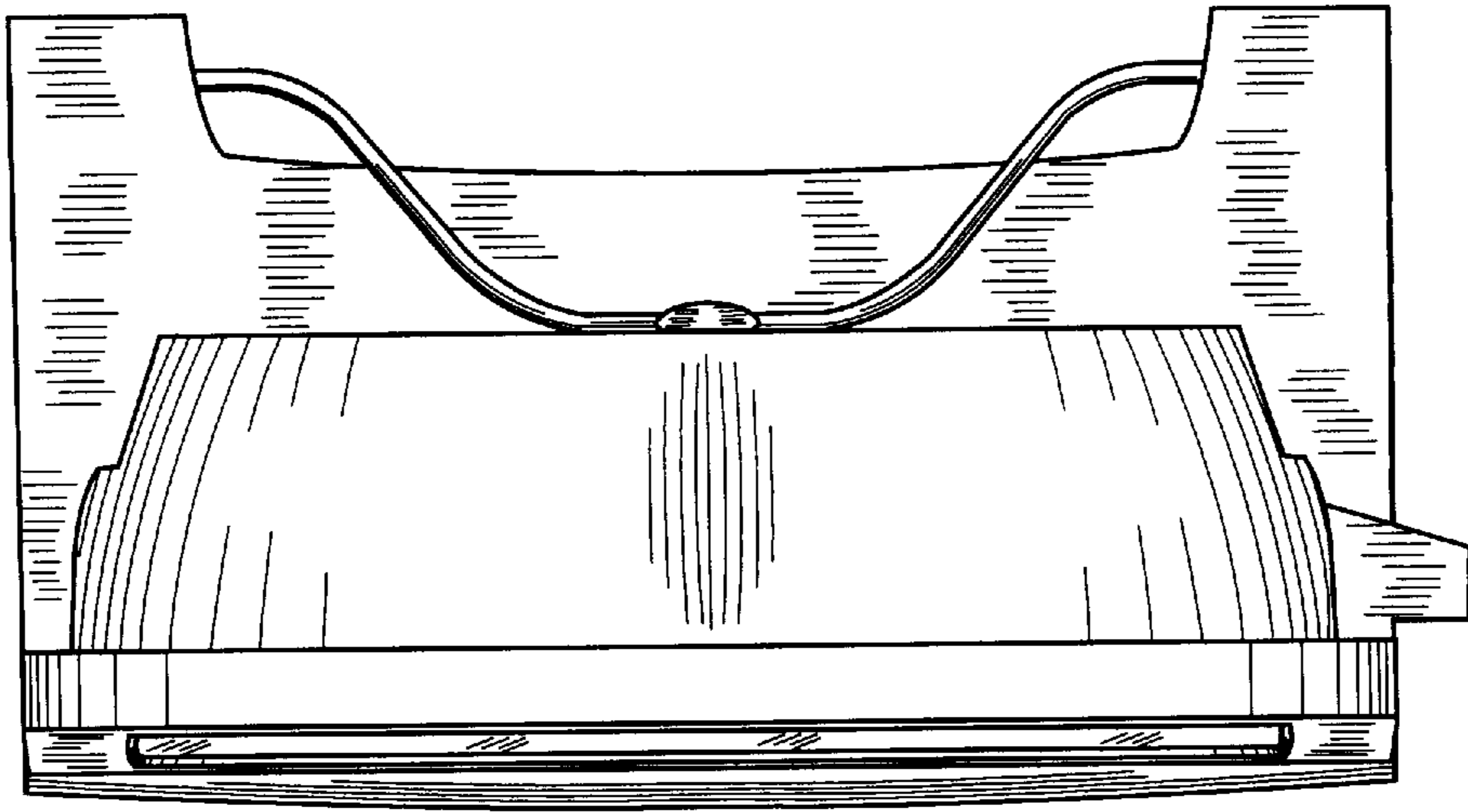


FIG. 7

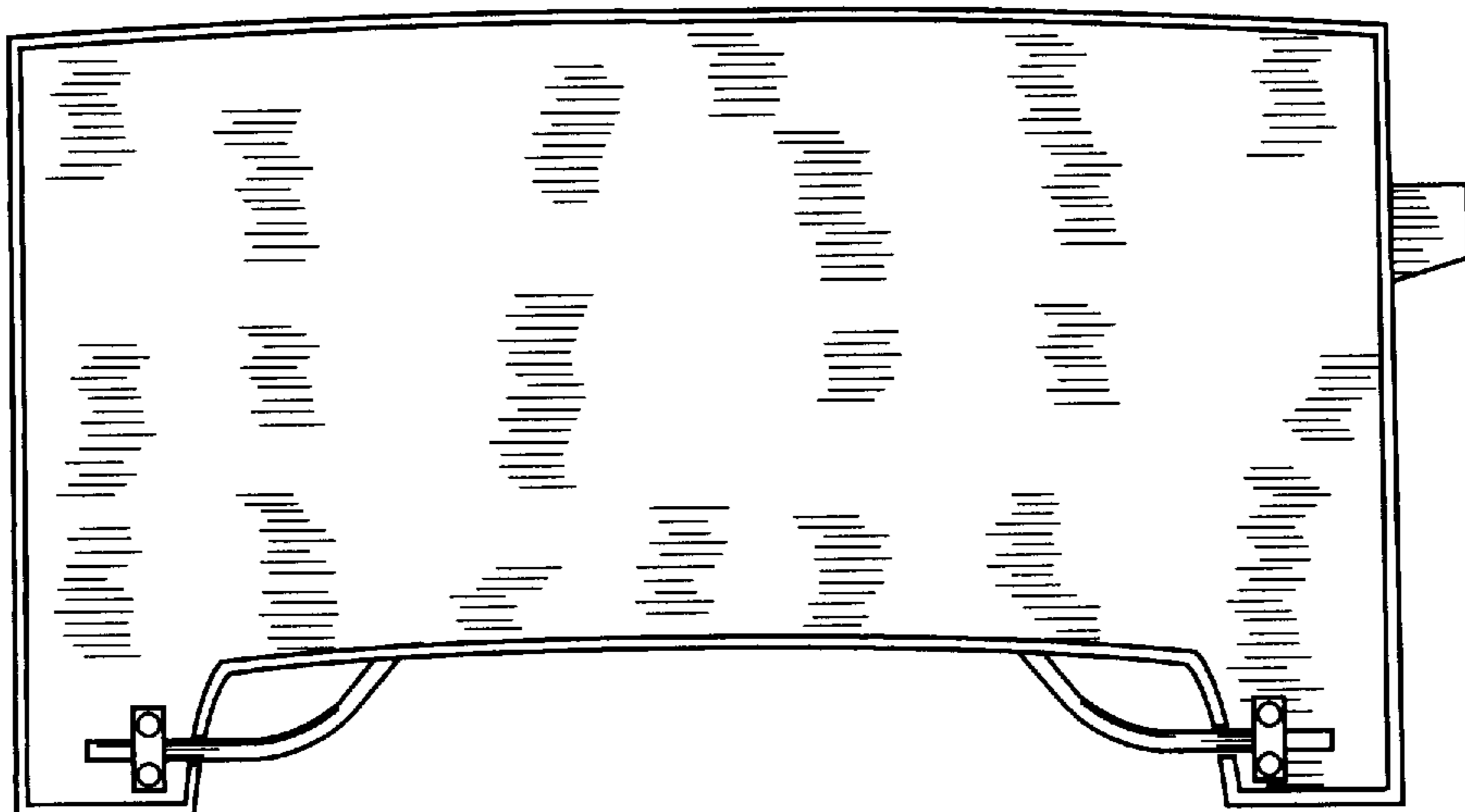


FIG. 8

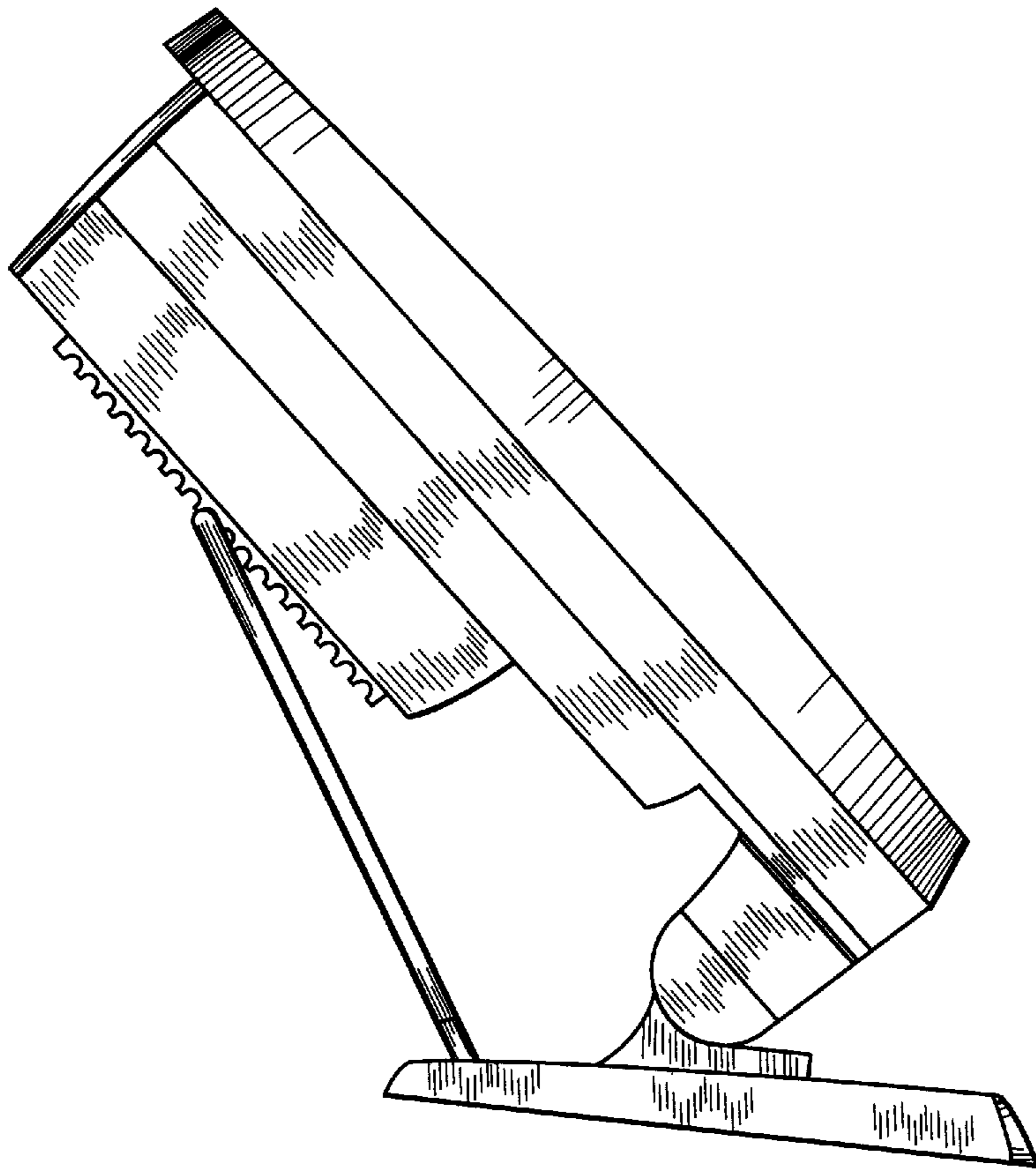


FIG. 9

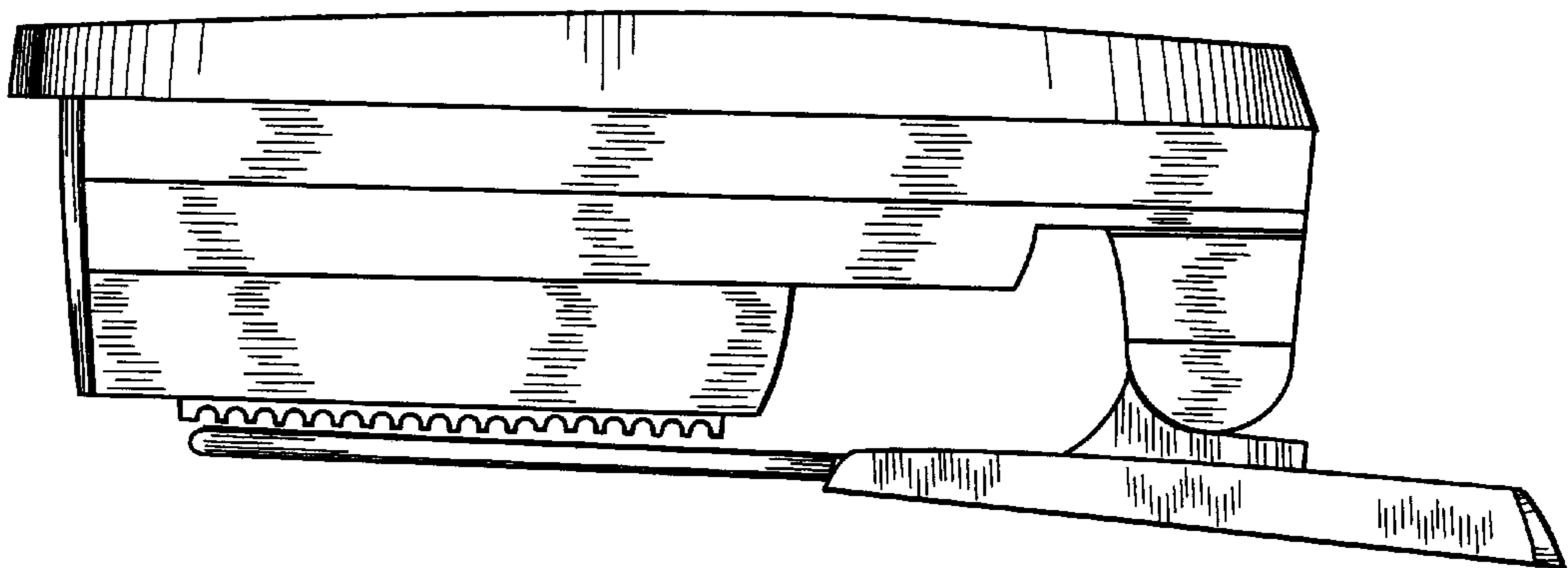


FIG. 10