

US00D404379S

# United States Patent [19]

Murphy et al.

[11] Patent Number: **Des. 404,379**

[45] Date of Patent: **\*\*Jan. 19, 1999**

[54] **DATA PROCESSING SYSTEM**

[75] Inventors: **Tim Kerry Murphy; Roland Zapfe,**  
both of Rochester, Minn.

[73] Assignee: **International Business Machines Corporation,** Armonk, N.Y.

[\*\*] Term: **14 Years**

[21] Appl. No.: **79,911**

[22] Filed: **Nov. 24, 1997**

[51] **LOC (6) Cl.** ..... **14-02**

[52] **U.S. Cl.** ..... **D14/100; D14/109; D14/102**

[58] **Field of Search** ..... D14/100, 102,  
D14/107-109; D6/432, 436, 445, 448; D13/162,  
184, 199; 312/208.1; 360/97.01, 97.04,  
99.01, 99.12; 361/694, 696, 683, 685

[56] **References Cited**

**U.S. PATENT DOCUMENTS**

D. 360,405 7/1995 Hill et al. .... D14/100

D. 366,249 1/1996 Hill et al. .... D14/10  
D. 366,462 1/1996 Hill et al. .... D14/100  
D. 366,648 1/1996 Hill et al. .... D14/100  
D. 380,741 7/1997 Hill et al. .... D14/107

*Primary Examiner*—Freda Nunn  
*Attorney, Agent, or Firm*—Matthew J. Bussan

[57] **CLAIM**

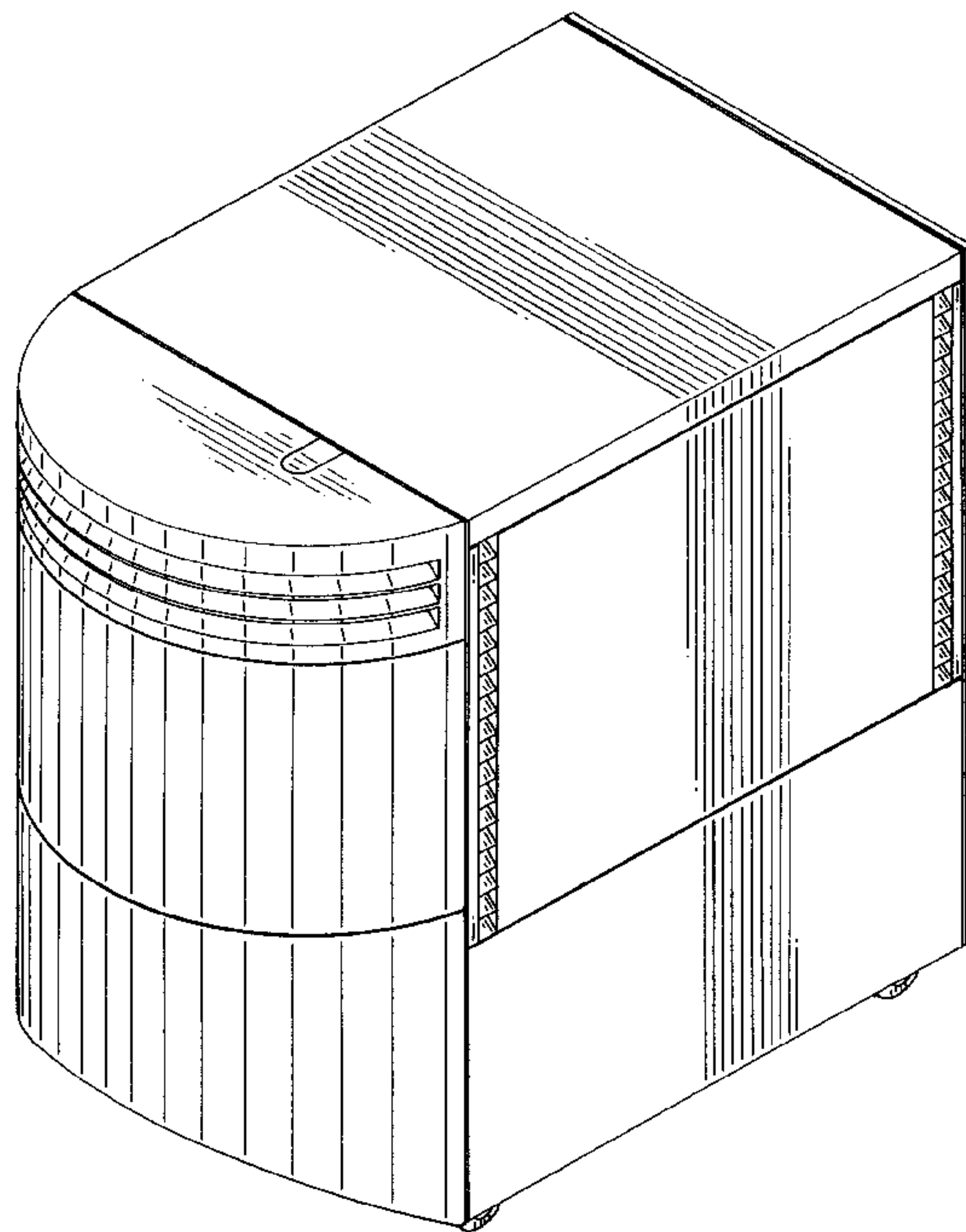
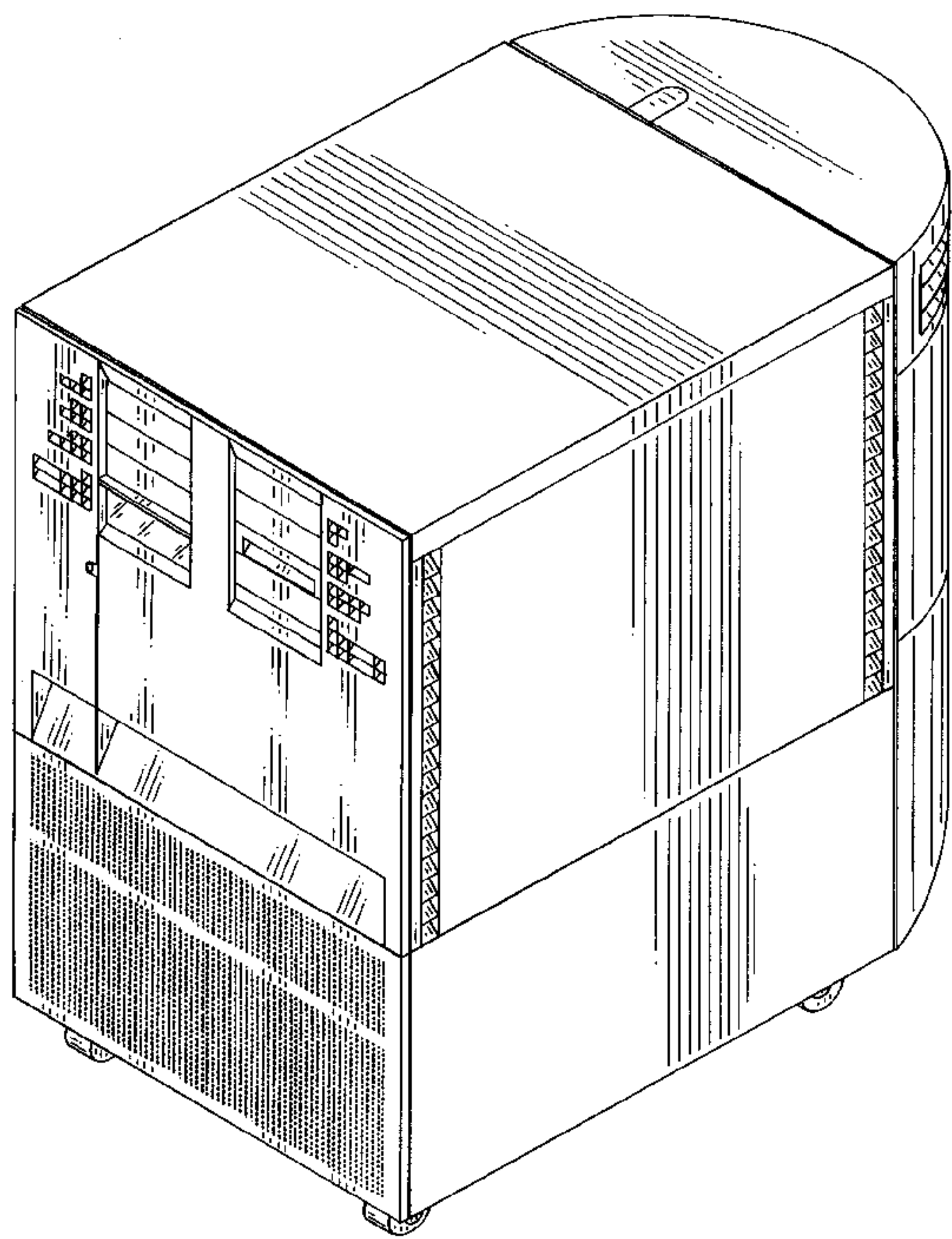
The ornamental design for a data processing system, as shown and described.

**DESCRIPTION**

FIG. 1 is a top, front, right side isometric view of a data processing system, showing our new design; FIG. 2 is a top, back, left side isometric view thereof; FIG. 3 is a front elevational view thereof; FIG. 4 is a top plan view thereof; FIG. 5 is a right side elevational view thereof, the left side being identical; and, FIG. 6 is a rear elevational view thereof.

The bottom of the data processing system is unornamented except for the inclusion of casters.

**1 Claim, 6 Drawing Sheets**



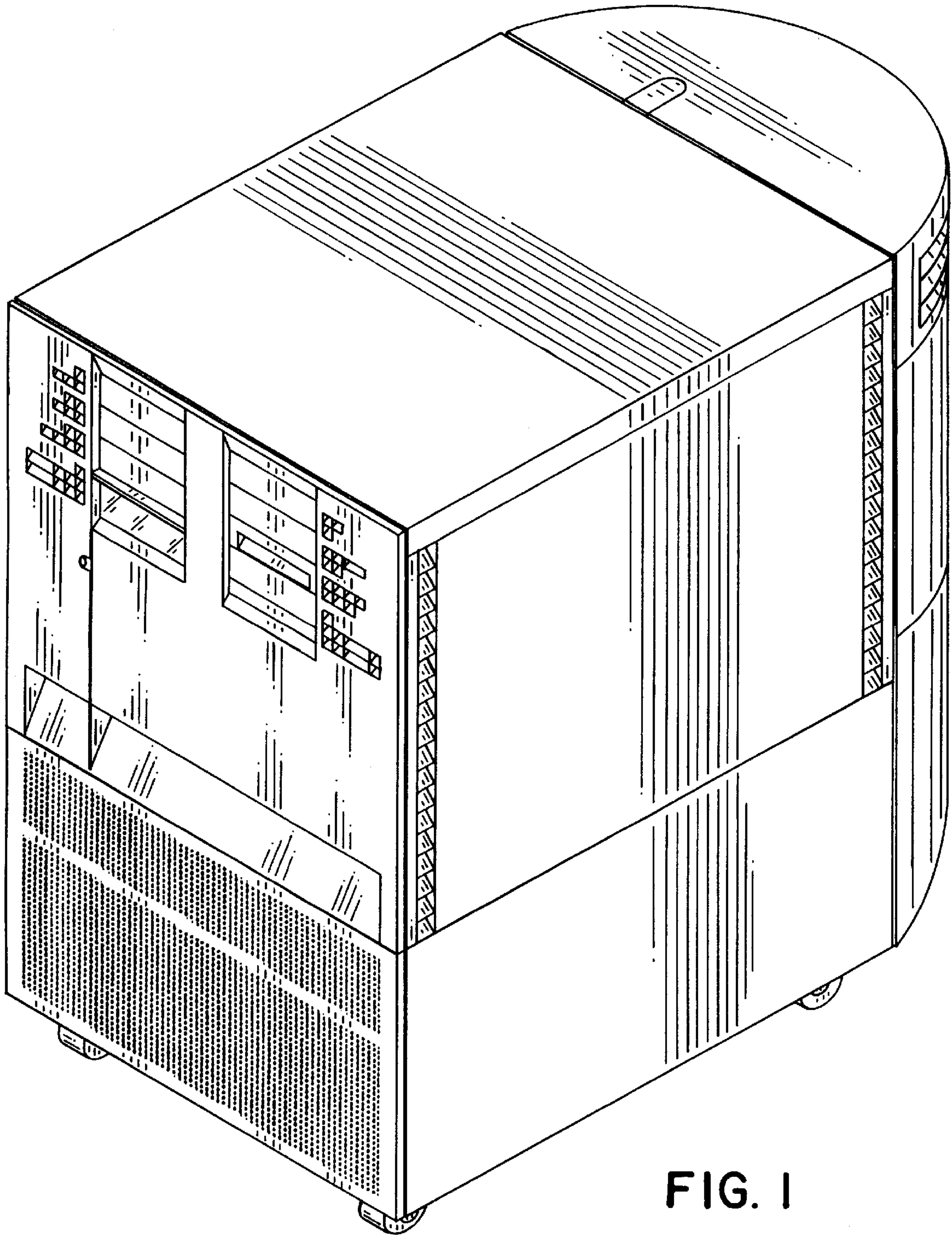


FIG. 1



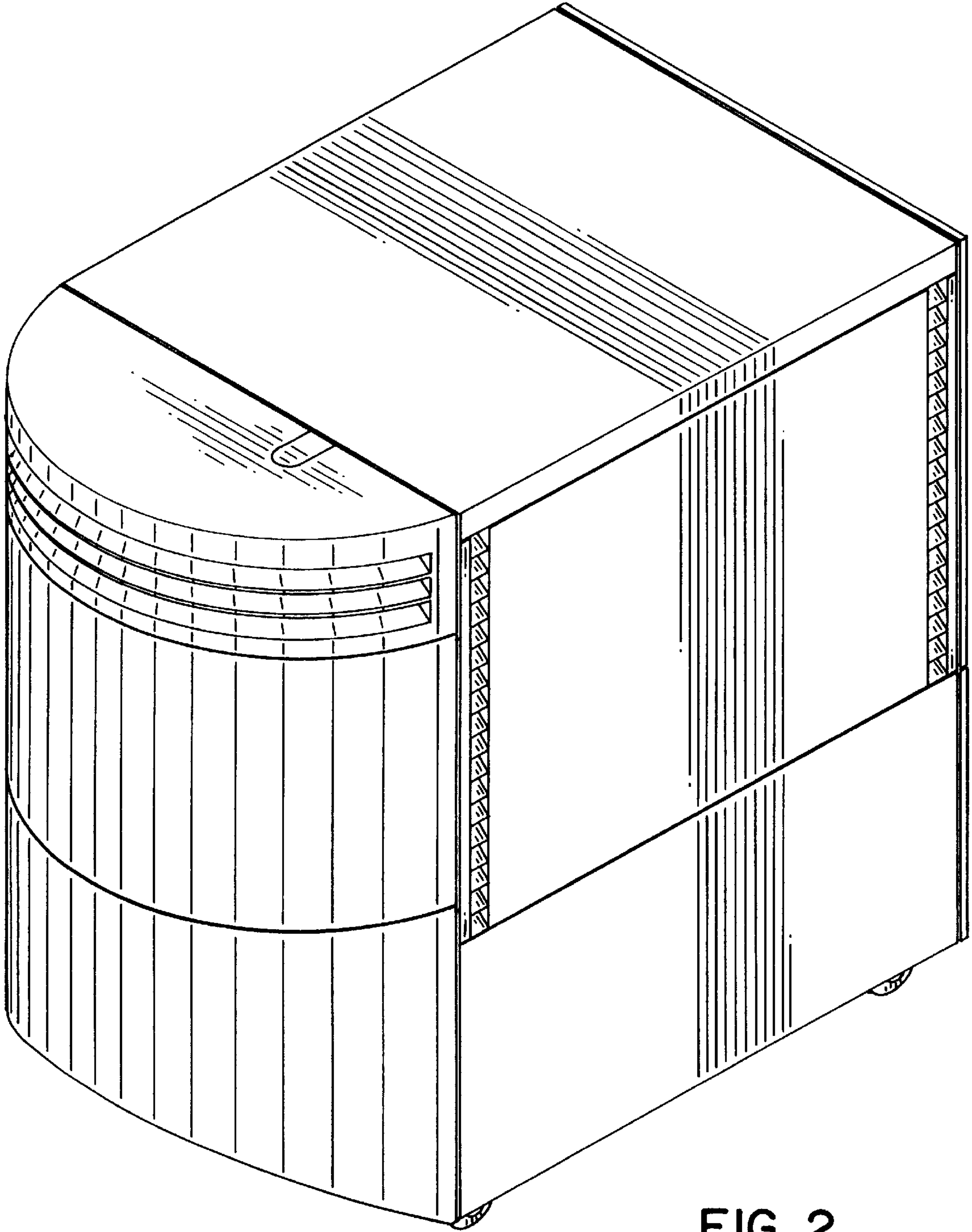


FIG. 2

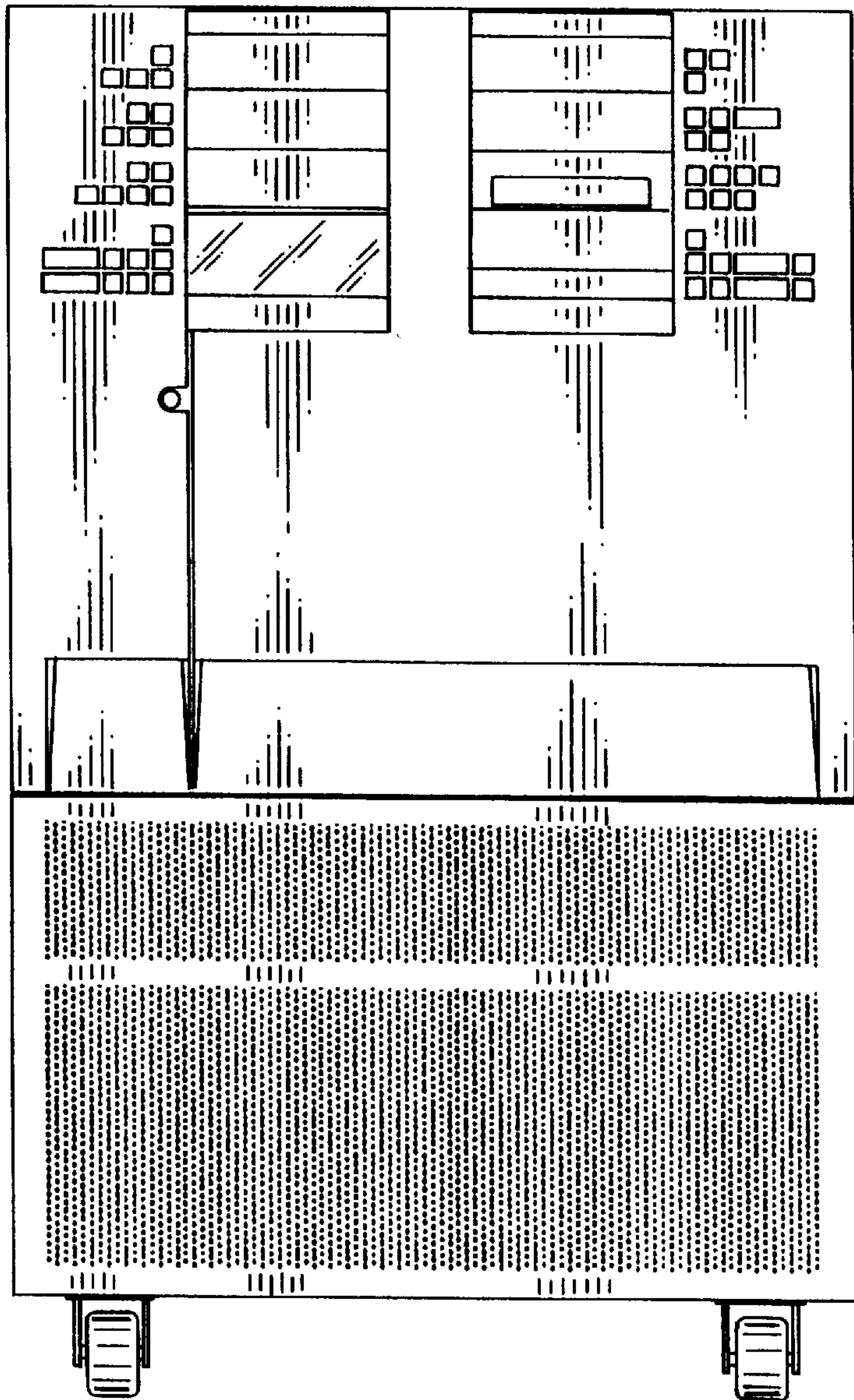


FIG. 3

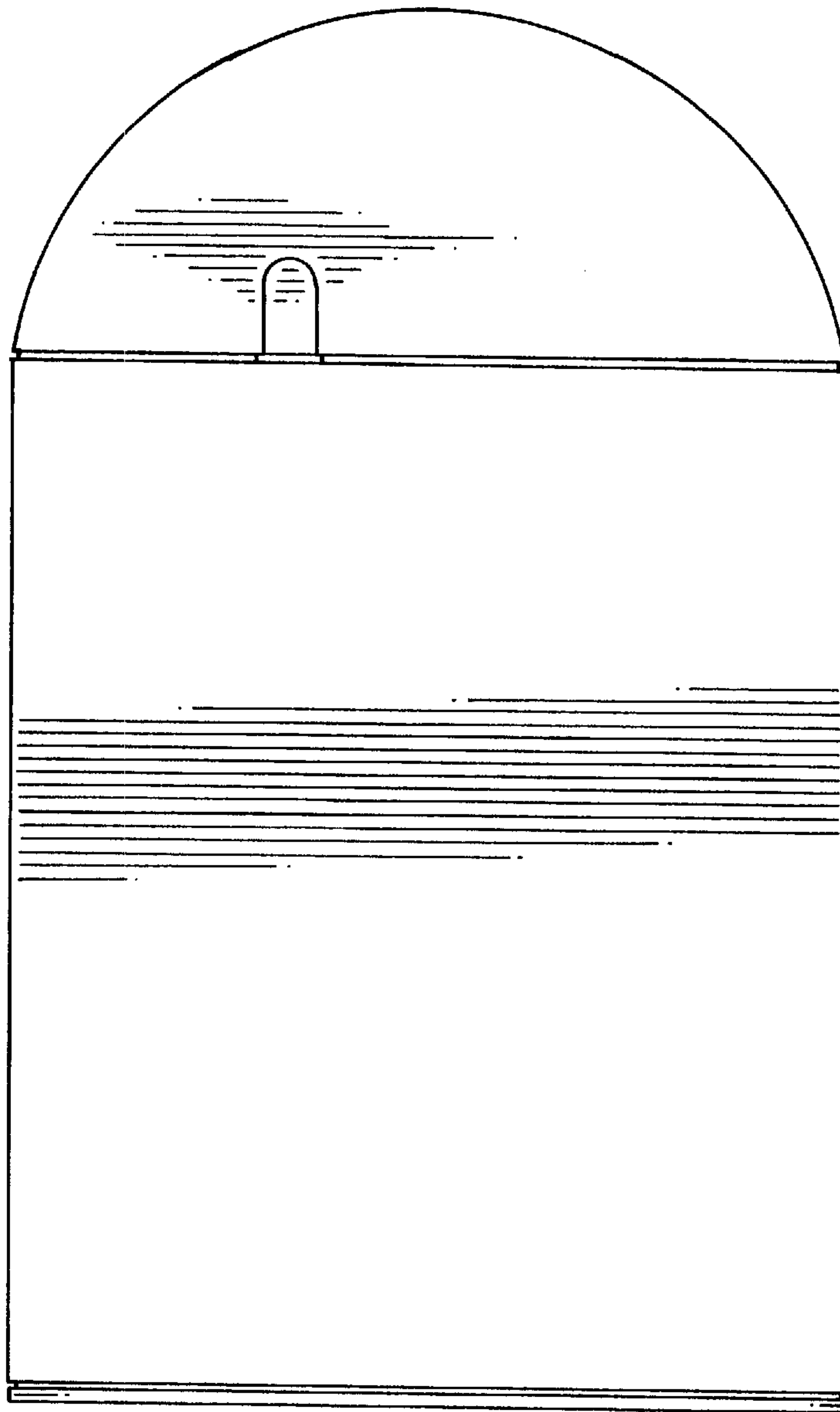


FIG. 4

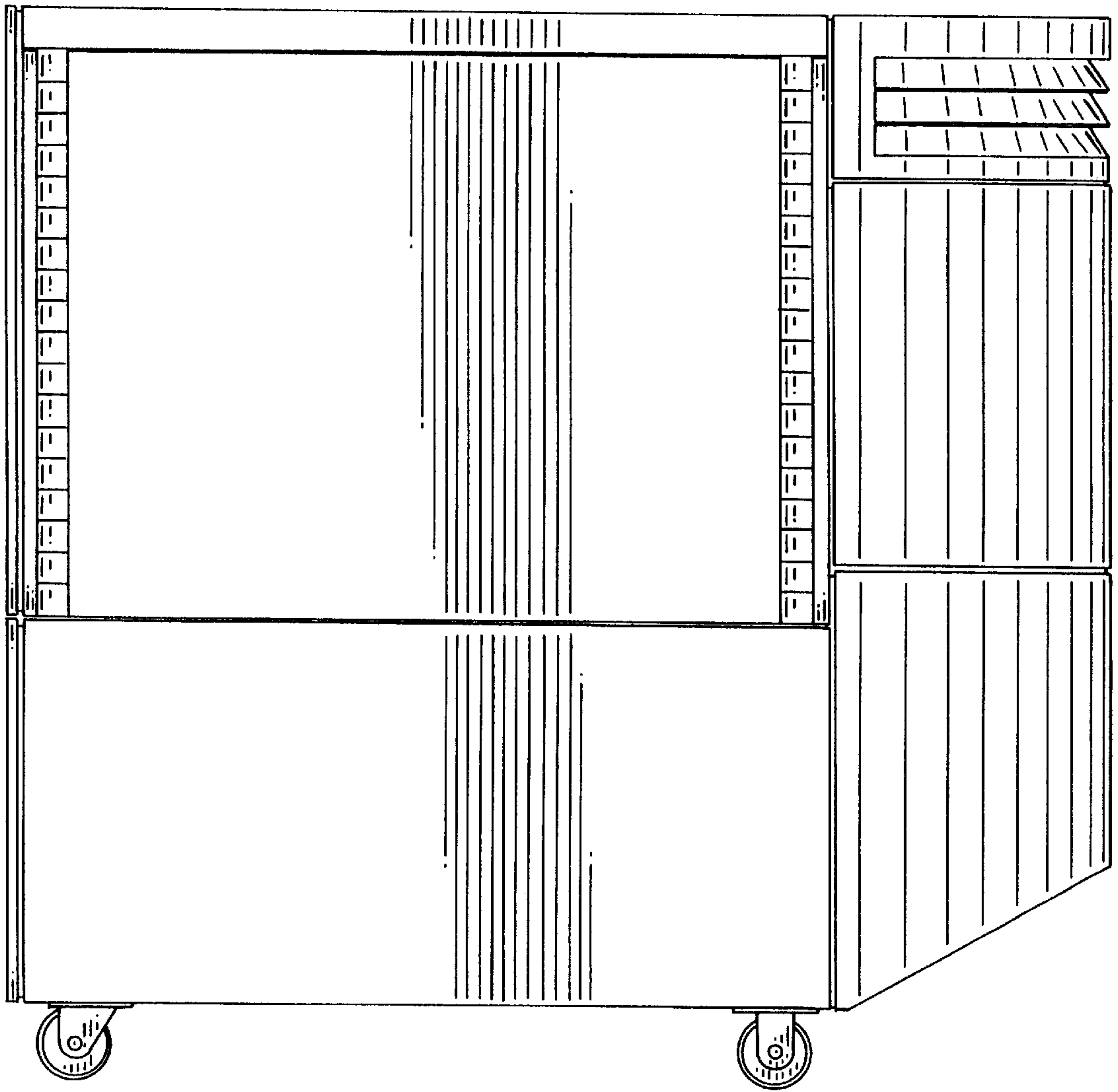


FIG. 5

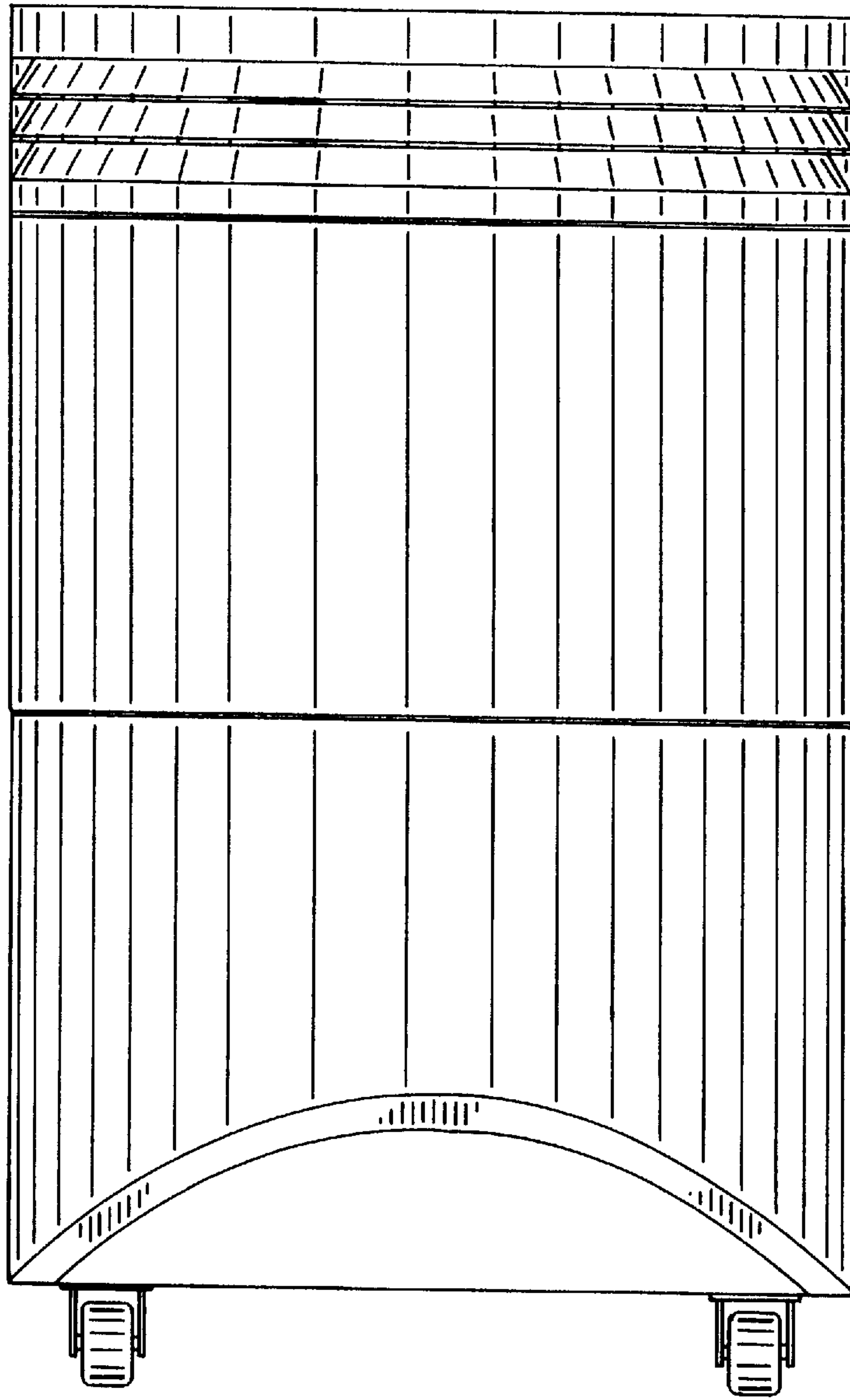


FIG. 6