



US00D404364S

United States Patent [19]

Viklund et al.

[11] Patent Number: Des. 404,364

[45] Date of Patent: **Jan. 19, 1999

[54] WIRE MANAGER

[75] Inventors: **Mark Viklund**, New Milford; **John A. Siemon**, Woodbury, both of Conn.

[73] Assignee: **The Siemon Company**, Watertown, Conn.

[**] Term: **14 Years**

[21] Appl. No.: **54,876**

[22] Filed: **May 23, 1996**

[51] LOC (6) Cl. **13-03**

[52] U.S. Cl. **D13/155**

[58] Field of Search D13/155, 154;
174/72 A, 68.3, 101; 138/157; 254/134.3 FT

[56] References Cited

U.S. PATENT DOCUMENTS

D. 282,537	2/1986	Loof et al.	D13/155
D. 380,736	7/1997	Theis et al.	D13/155
2,951,607	1/1960	Caveney	174/72 A X
3,321,571	5/1967	Lynch	174/101
3,705,949	12/1972	Weiss	174/101
4,136,257	1/1979	Taylor	174/68.3
5,086,195	2/1992	Claisse	174/101
5,322,480	6/1994	Meier et al.	254/134.3 FT X

OTHER PUBLICATIONS

Anixter ("AT&T Systimax Premises Distribution System") 1992 Catalog.

MOD-TAP Product Catalog, page for Fiber Optic Outlets, date unknown.

AMP Product Catalog, p. 69 and Diagram, date unknown.

Ortronics Open System Architecture Advertisement, 1996.

Teleconnect, May 1996, Tools and Test Equipment, Siecor Product Review.

Siecor Product Catalog, pp. 2.44 and 2.45, *Ruggedized Information Outlet (RIO)*, date unknown.

Primary Examiner—Joel Sincavage

Attorney, Agent, or Firm—Fishman, Dionne, Cantor & Colburn

[57] CLAIM

The ornamental design for a wire manager, as shown.

DESCRIPTION

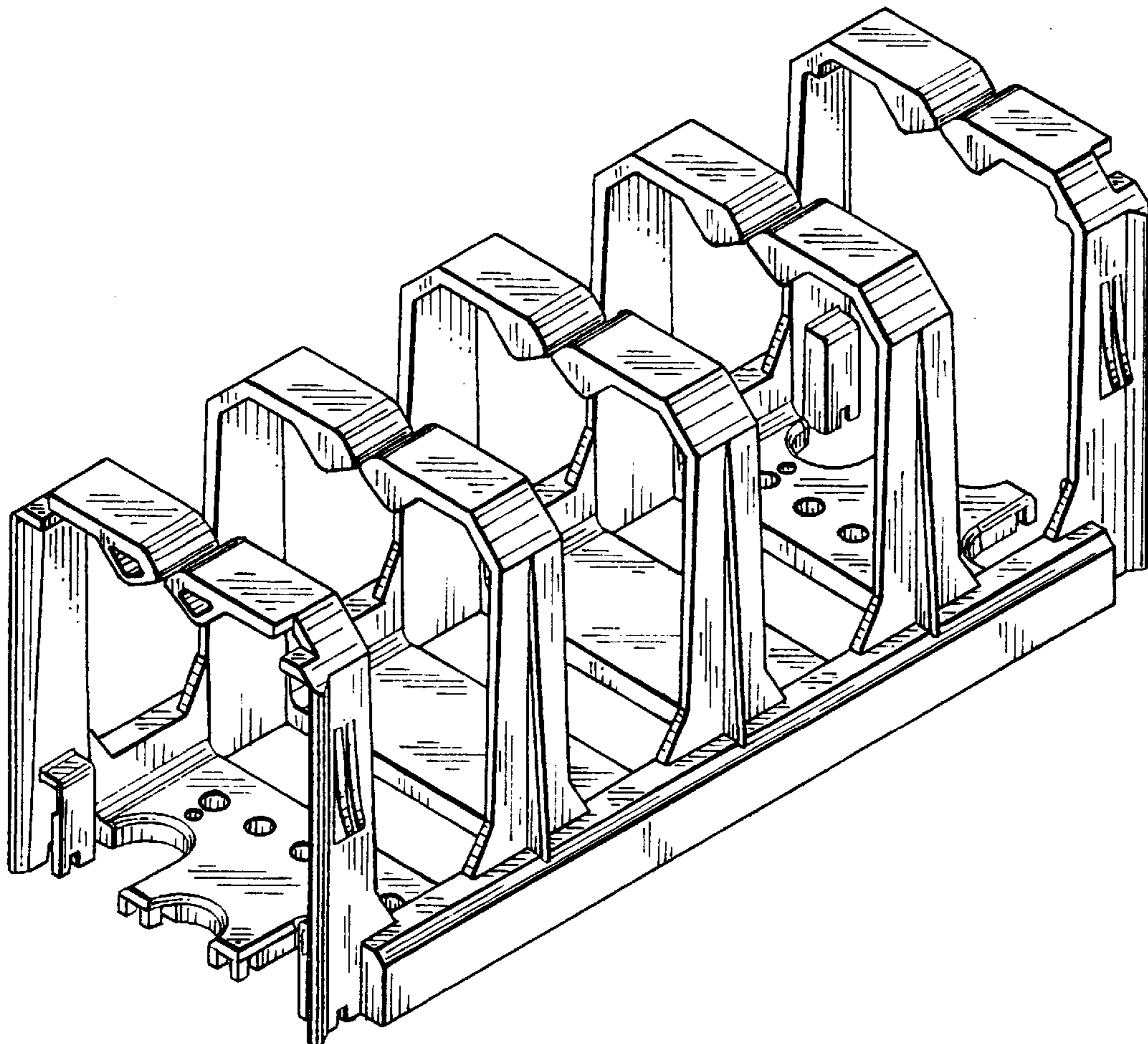
FIG. 1 shows a perspective view of the new design; FIG. 2 shows a front plan view thereof, the back being a mirror image;

FIG. 3 shows a top plan view thereof;

FIG. 4 shows a bottom plan view thereof; and,

FIG. 5 shows a right side plan view thereof, the left side being a mirror image.

1 Claim, 3 Drawing Sheets



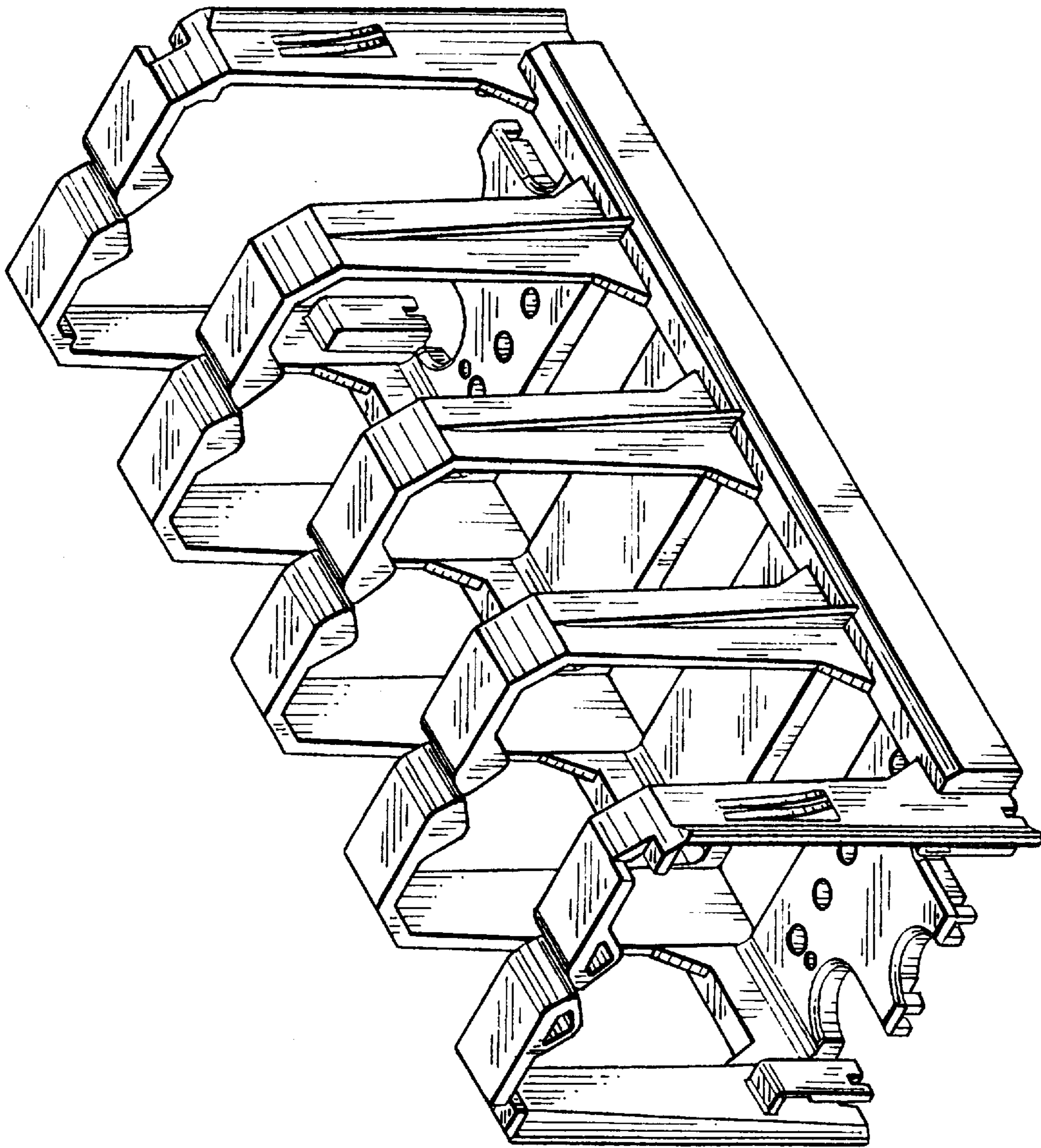


FIG. 1

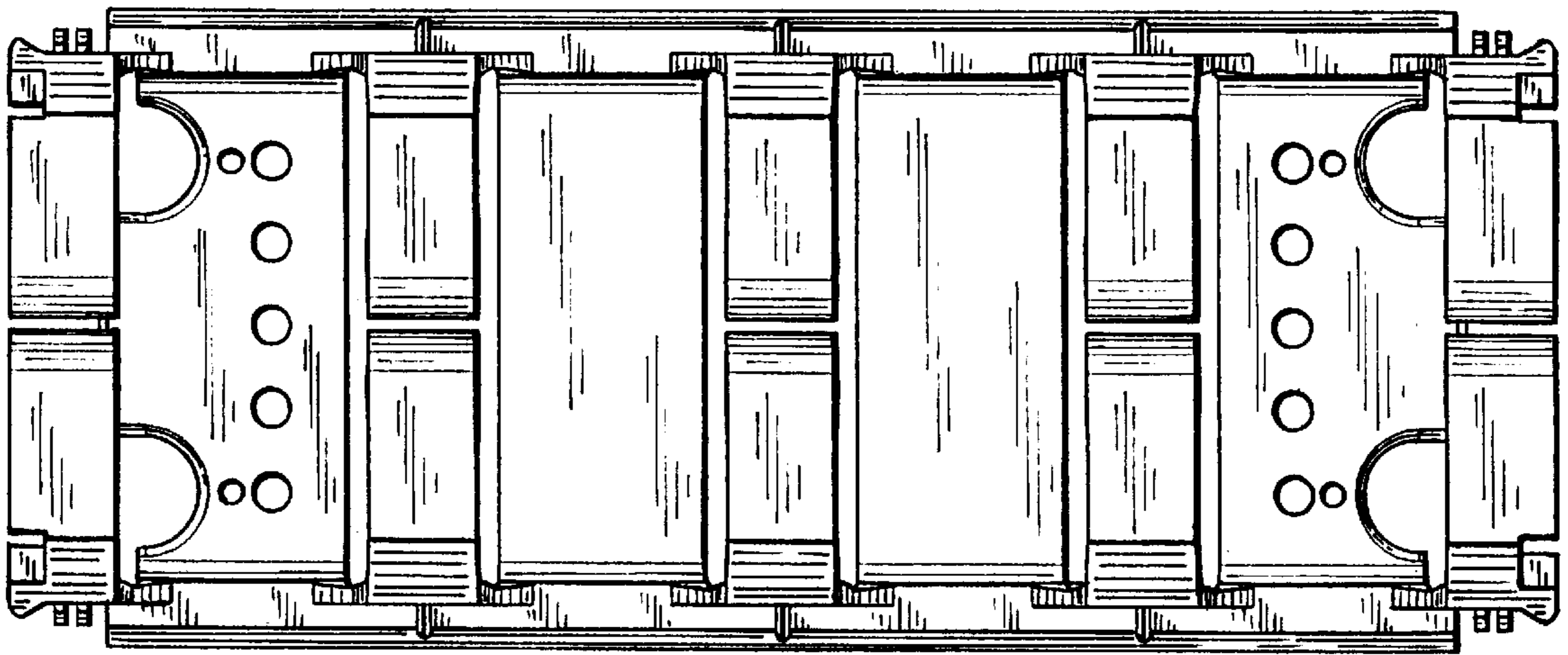


FIG. 3

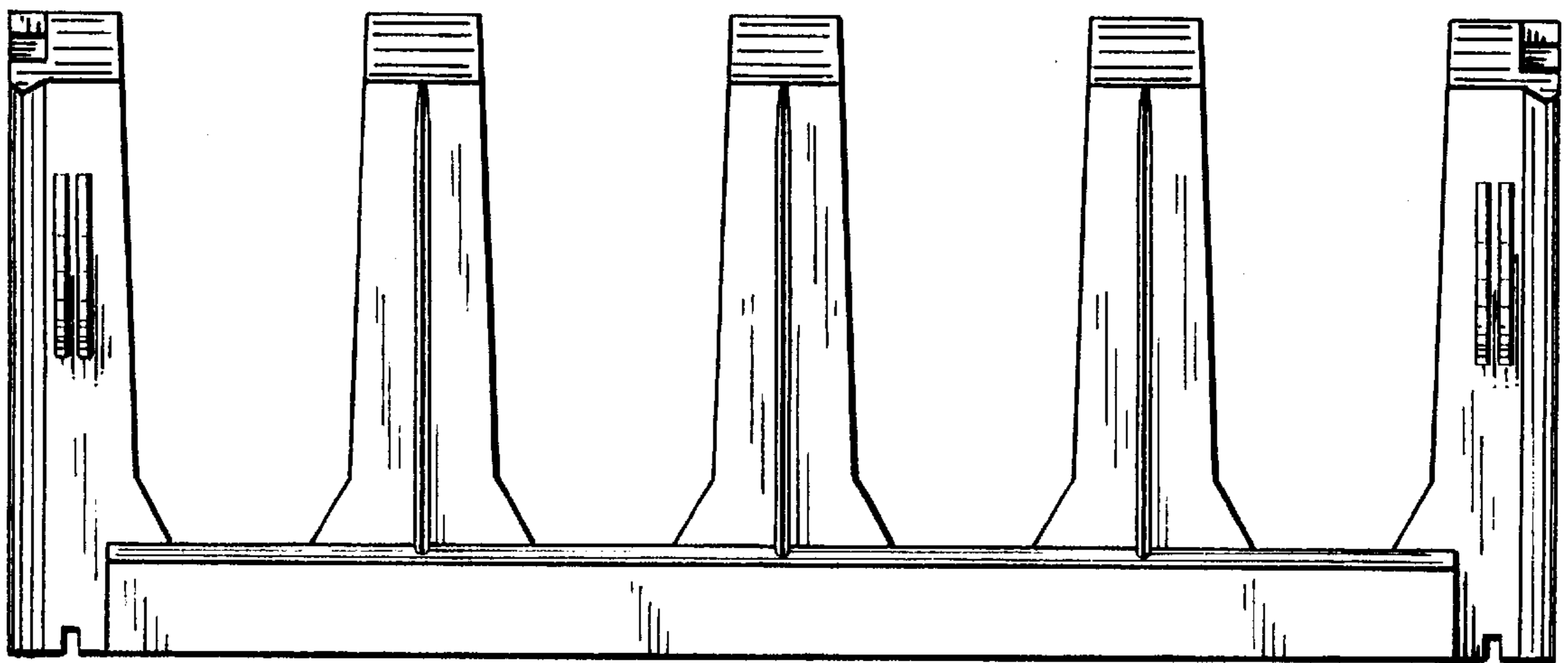


FIG. 2

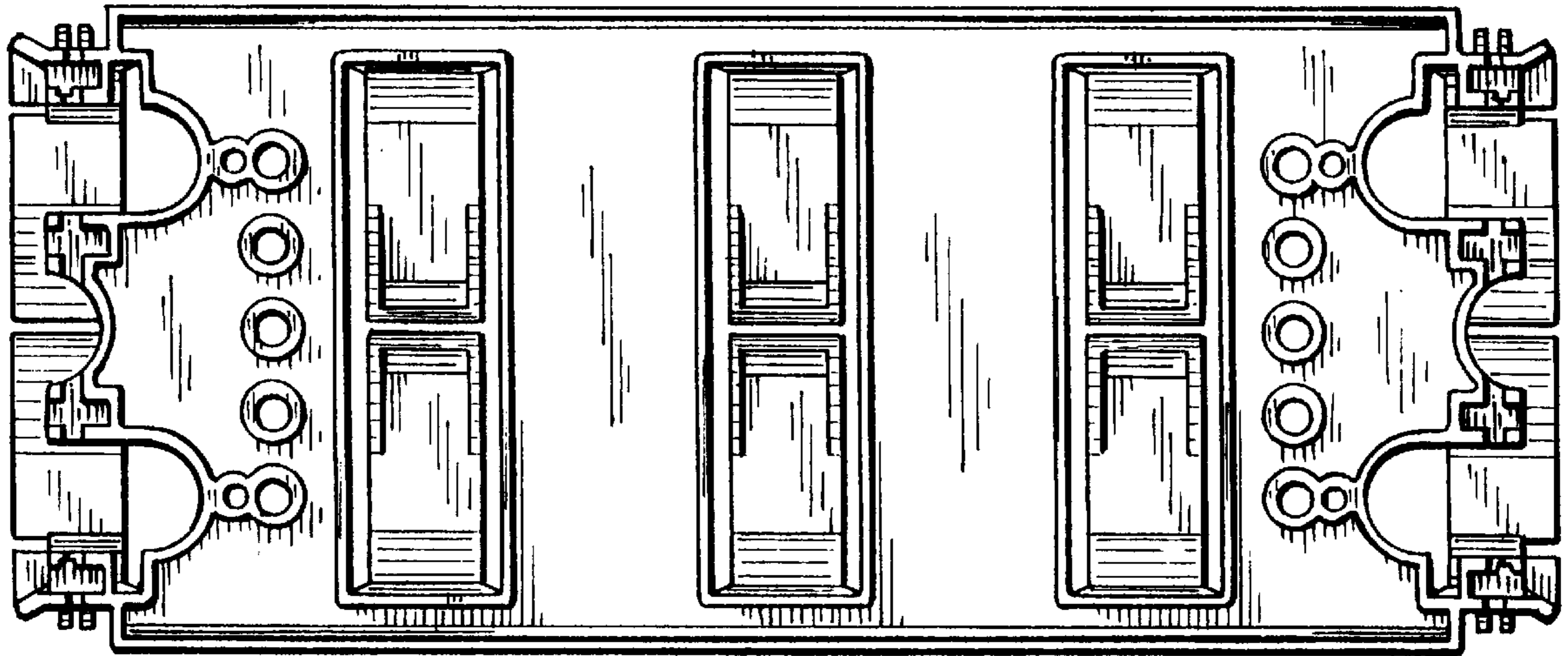


FIG. 4

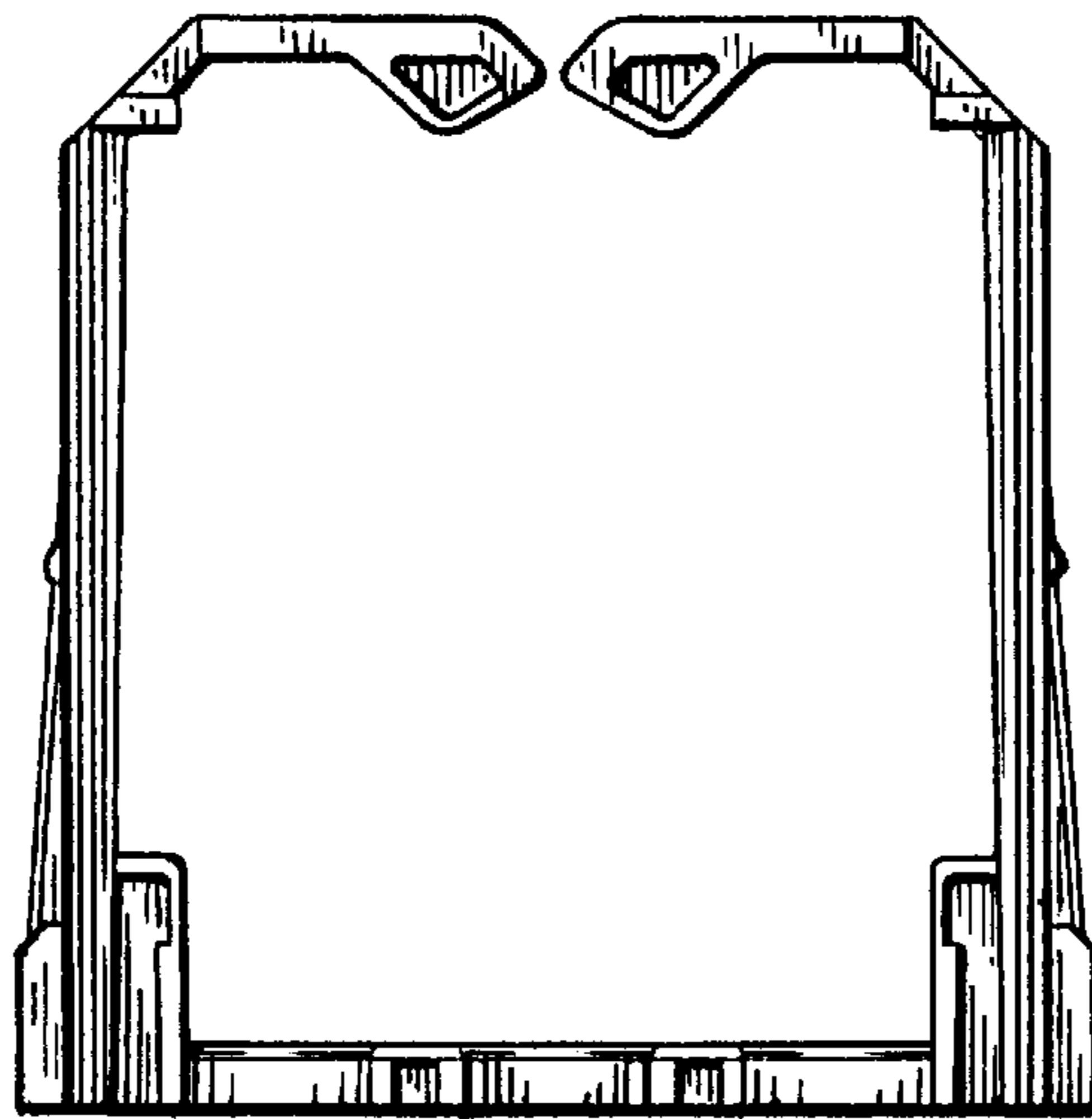


FIG. 5