



US00D404363S

United States Patent [19] Pyle

[11] **Patent Number: Des. 404,363**

[45] **Date of Patent: **Jan. 19, 1999**

[54] **CORD GUARD**

[75] Inventor: **Michael L. Pyle**, Mechanicsville, Va.

[73] Assignee: **Hamilton Beach/Proctor-Silex, Inc.**,
Glen Allen, Va.

[**] Term: **14 Years**

[21] Appl. No.: **60,410**

[22] Filed: **Sep. 27, 1996**

[51] **LOC (6) Cl.** **13-03**

[52] **U.S. Cl.** **D13/154**

[58] **Field of Search** D13/153, 154,
D13/156; 174/135, 108, 109; 439/445,
447-449

[56] **References Cited**

U.S. PATENT DOCUMENTS

D. 210,021	1/1968	Prifogle et al. .	
D. 241,008	8/1976	Di Loreto	D8/354
D. 294,486	3/1988	Opitz .	
D. 314,458	2/1991	Littmann .	
D. 326,257	5/1992	Lee et al. .	
D. 340,329	10/1993	Barrault	D32/70
D. 349,378	8/1994	Simmon .	
D. 360,875	8/1995	Nakajima .	
D. 363,580	10/1995	Wilson et al.	D32/70
1,043,864	11/1912	Pollard .	
1,177,307	3/1916	Craven .	
1,920,553	8/1933	Fossati .	
2,022,785	12/1935	Rollman	178/322
2,035,345	3/1936	Schaefer .	
2,286,487	6/1942	Huffman	219/25
2,540,575	2/1951	Finizie	173/332
2,724,736	11/1955	Klumpp, Jr.	174/153
2,727,088	12/1955	La Wall	174/135
2,774,948	12/1956	Wendel .	
3,032,737	5/1962	Rottmann	339/101
3,051,774	8/1962	Schelke	174/135
3,395,244	7/1968	Koehler	174/135
3,449,706	6/1969	Carissimi .	
3,497,608	2/1970	Elliot et al. .	
3,665,374	5/1972	Denton .	

(List continued on next page.)

FOREIGN PATENT DOCUMENTS

537932 11/1931 Germany .
2091498 7/1982 United Kingdom .

OTHER PUBLICATIONS

Commonly-owned design patent application 29/060,416, filed Sep. 27, 1996, now abandoned.

Commonly-owned design application 29/073,174, filed Jul. 2, 1997 which is FWC of reference AV.

Copy of three photographs prepared for purposes of this Information Disclosure Statement showing a prior art cord guard.

(List continued on next page.)

Primary Examiner—Alan P. Douglas
Assistant Examiner—Lavone D. Tabor
Attorney, Agent, or Firm—Roger S. Dybvig

[57] **CLAIM**

The ornamental design for a cord guard, as shown and described.

DESCRIPTION

FIG. 1 is a top plan view of a cord guard showing my new design, the bottom plan view thereof being substantially a mirror image;

FIG. 2 is a right side elevation view thereof, the left side elevation view thereof being substantially a mirror image;

FIG. 3 is a section view thereof taken along line 3—3 of FIG. 3;

FIG. 4 is a section view thereof taken along line 4—4 of FIG. 1;

FIG. 5 is a forward end view thereof;

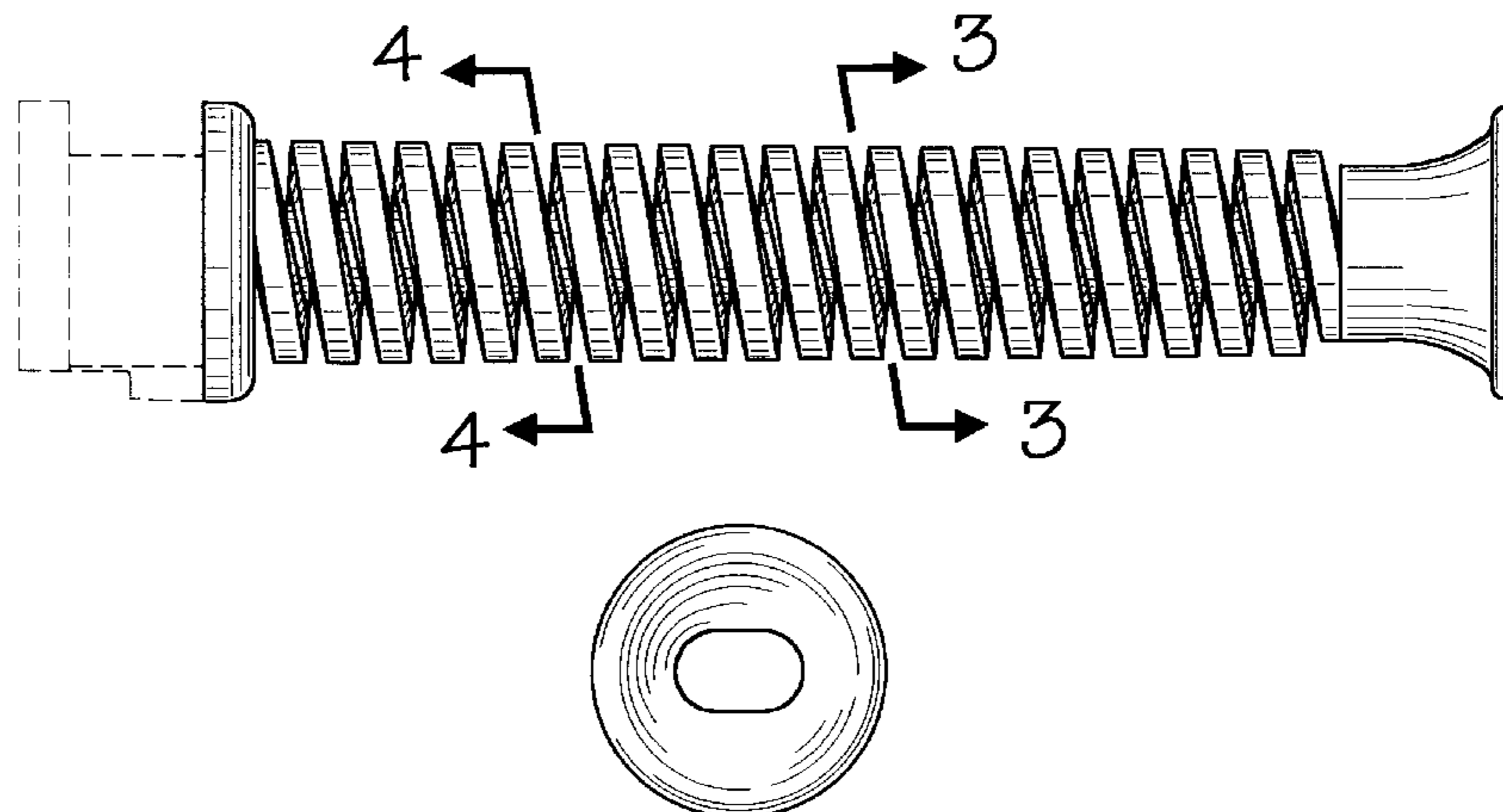
FIG. 6 is a section view thereof identical to FIG. 4 but on a larger scale than FIG. 4;

FIG. 7 is an enlarged, circumferential section view thereof taken along line 7—7 of FIG. 6; and,

FIG. 8 is an enlarged, circumferential section view thereof taken along line 8—8 of FIG. 6.

The broken lines in FIGS. 1 and 2 showing the portion of a cord guard connector ordinarily located within an appliance are used for illustrative purposes only and form no part of the claimed design.

1 Claim, 2 Drawing Sheets



U.S. PATENT DOCUMENTS

3,721,939	3/1973	Paugh .	
3,800,068	3/1974	Torgerson .	
3,986,765	10/1976	Shaffer et al. .	
4,173,384	11/1979	Phillips	339/101
4,632,488	12/1986	Long et al.	339/103 R
4,702,710	10/1987	Dittman et al. .	
4,703,989	11/1987	Price et al. .	
4,989,581	2/1991	Tambarrino et al.	128/4
5,100,341	3/1992	Czyz et al. .	
5,170,016	12/1992	Liu et al. .	
5,224,874	7/1993	Sell .	
5,238,419	8/1993	Roeder et al.	439/164
5,283,393	2/1994	Guginsky	174/102 R
5,340,330	8/1994	Dolson et al.	439/447

5,390,433 2/1995 Brady 38/79

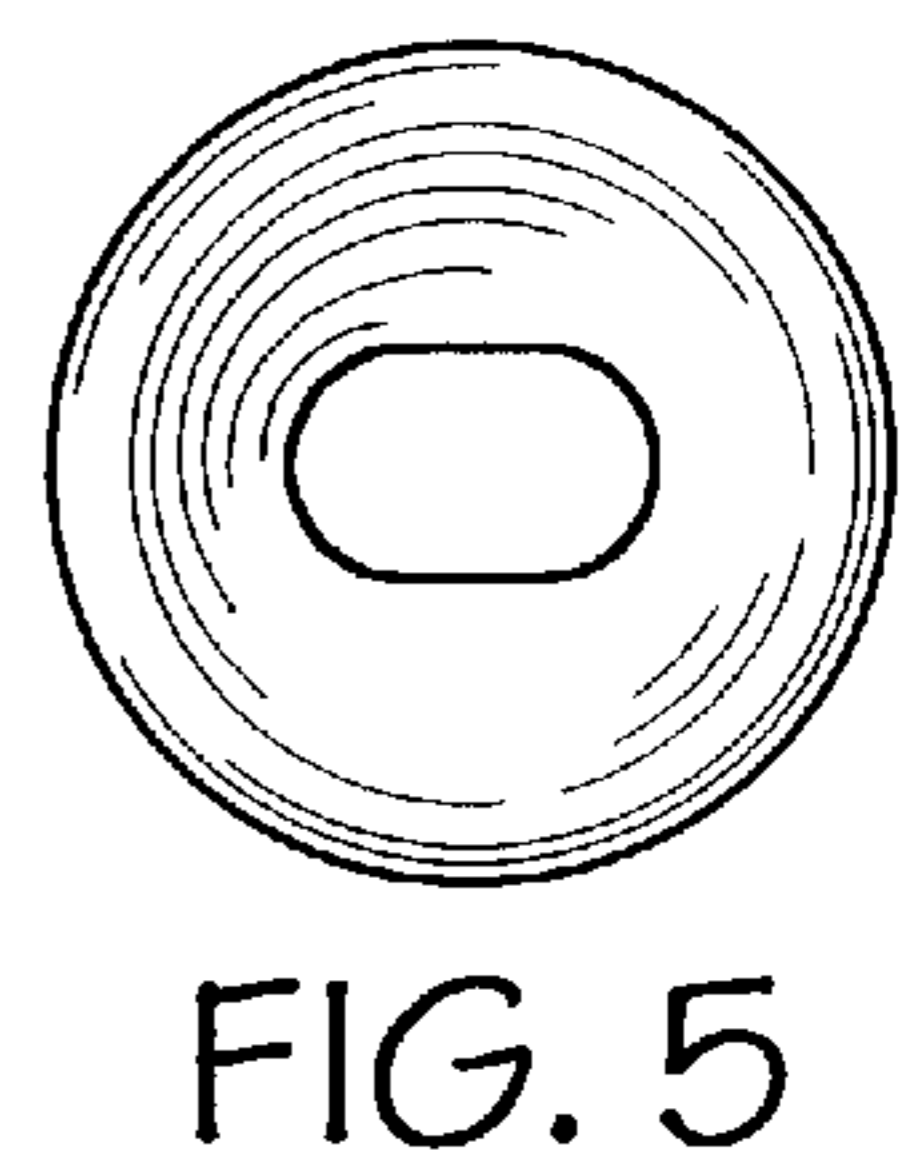
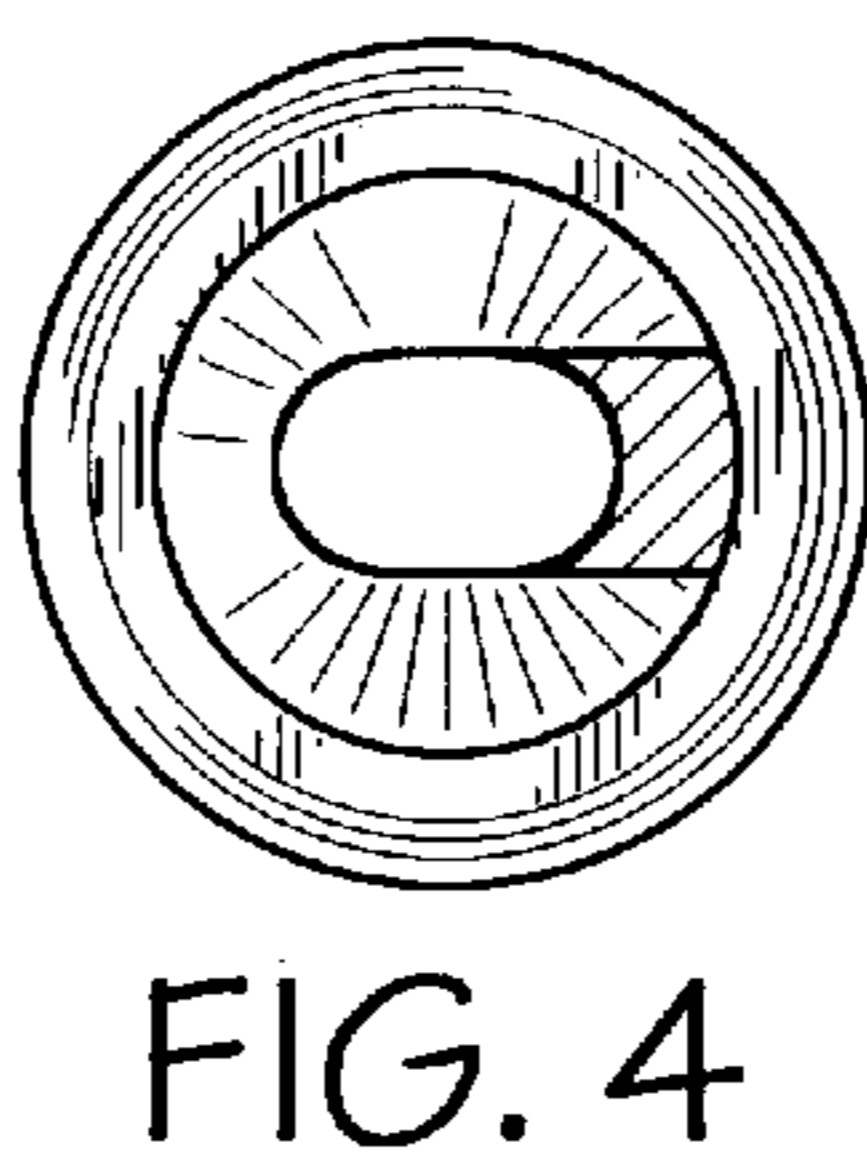
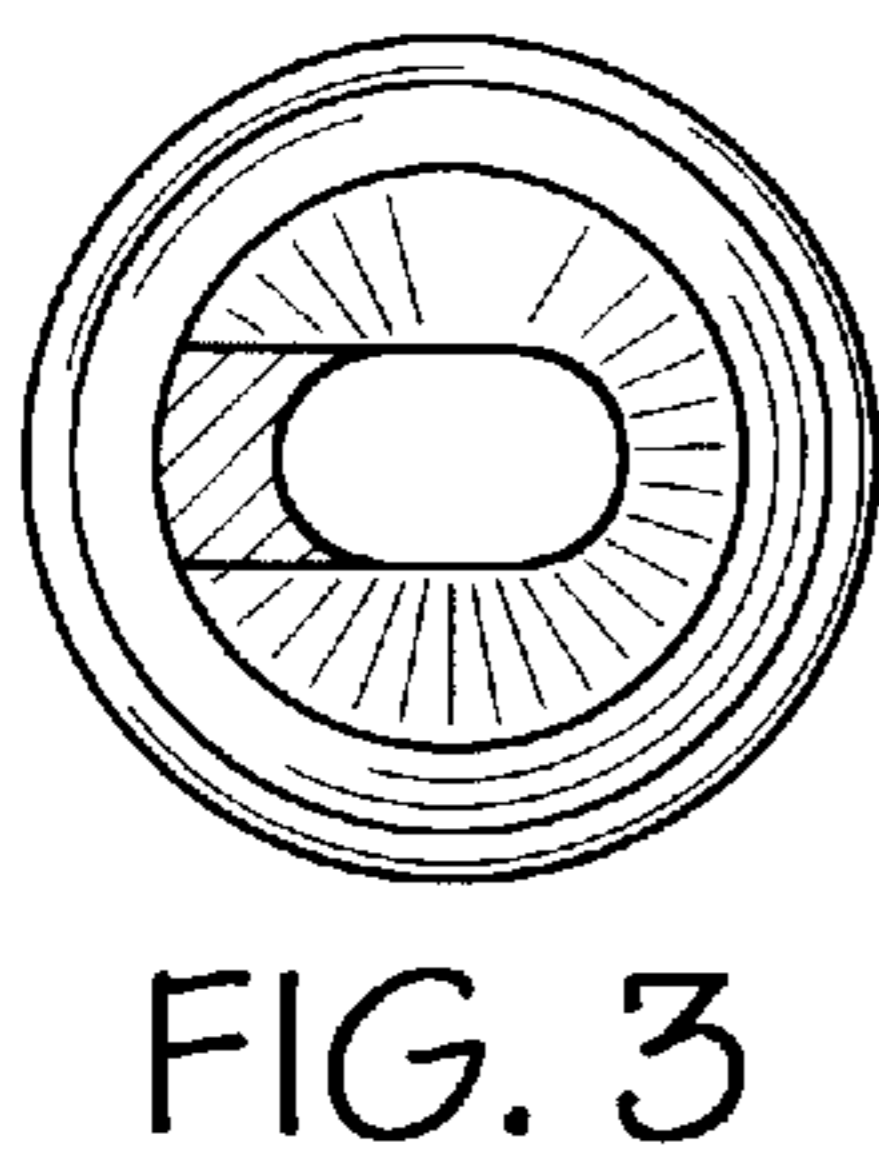
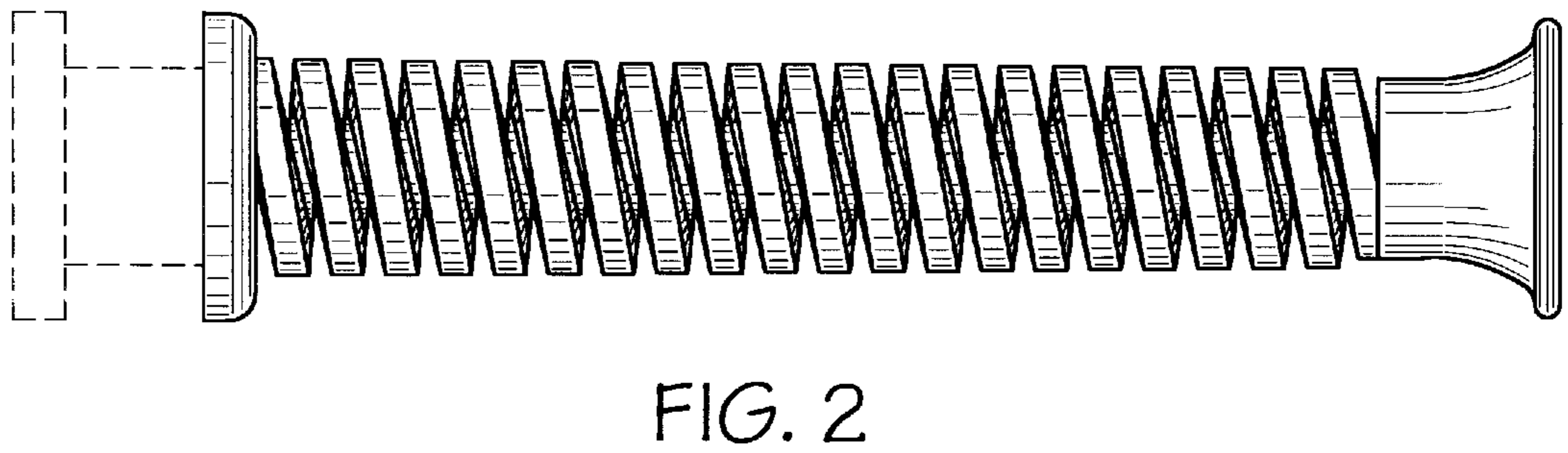
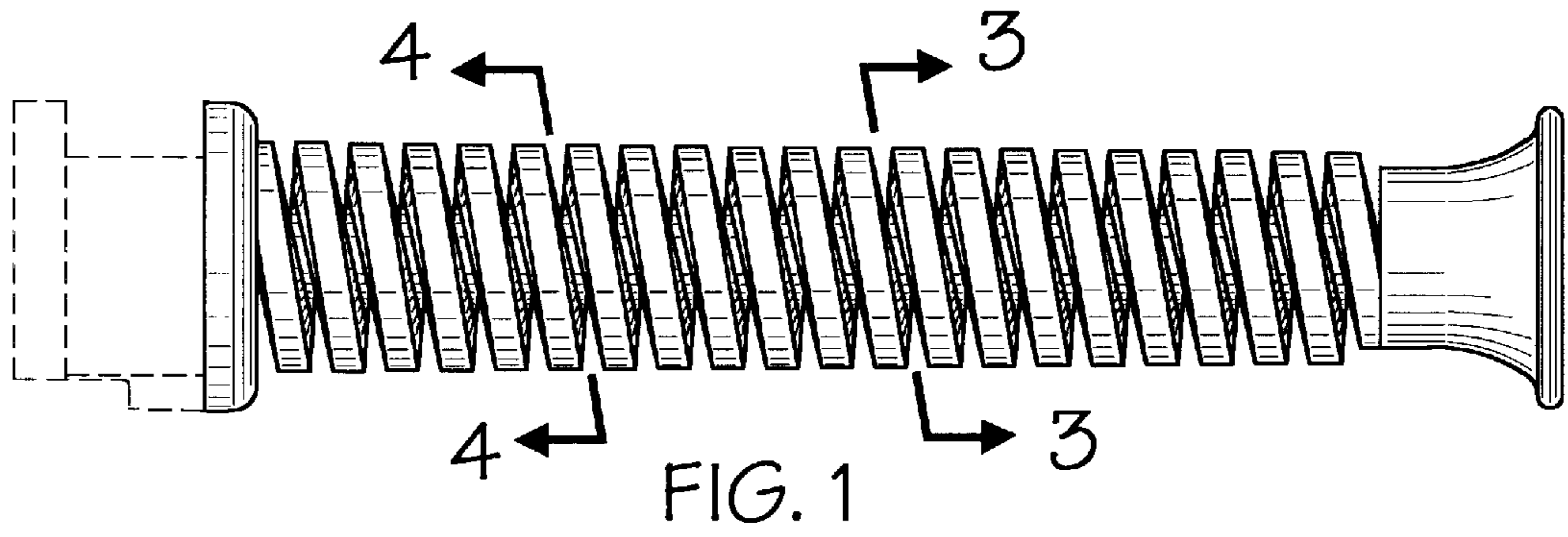
OTHER PUBLICATIONS

Drawing sheets from commonly-owned utility patent application 08/736,445, filed Oct. 24, 1996.

Front cover and pp. 34-25 of "Heyco Catalog 191" published by Heyco Molded Products, Inc., Kenilworth, NJ, admitted to be prior art.

Drawing prepared for purposes of this Information Disclosure Statement showing cross-sectional shape of prior art cord guard illustrated in "Heyco Catalog 191" published by Heyco Molded Products, Inc.

Front cover, rear cover, and pp. 3-5 of "Spring 1993 New Products" catalog published by Hamilton Beach Proctor-Silex, Inc., Glen Allen, VA, 1993.



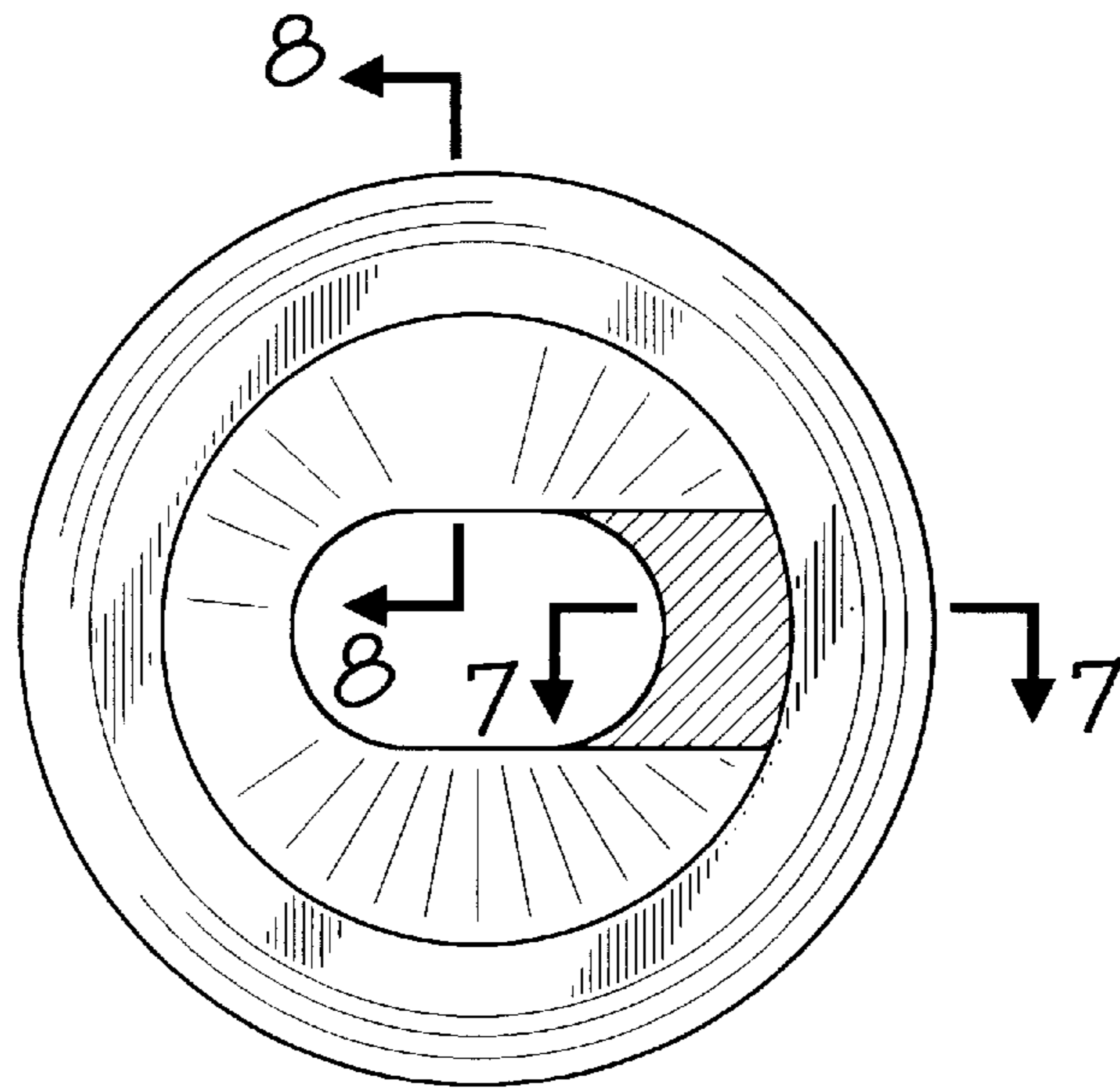


FIG. 6

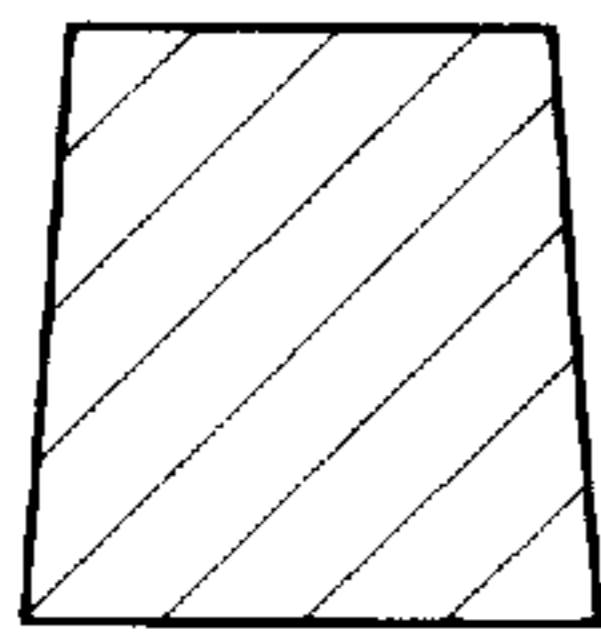


FIG. 7

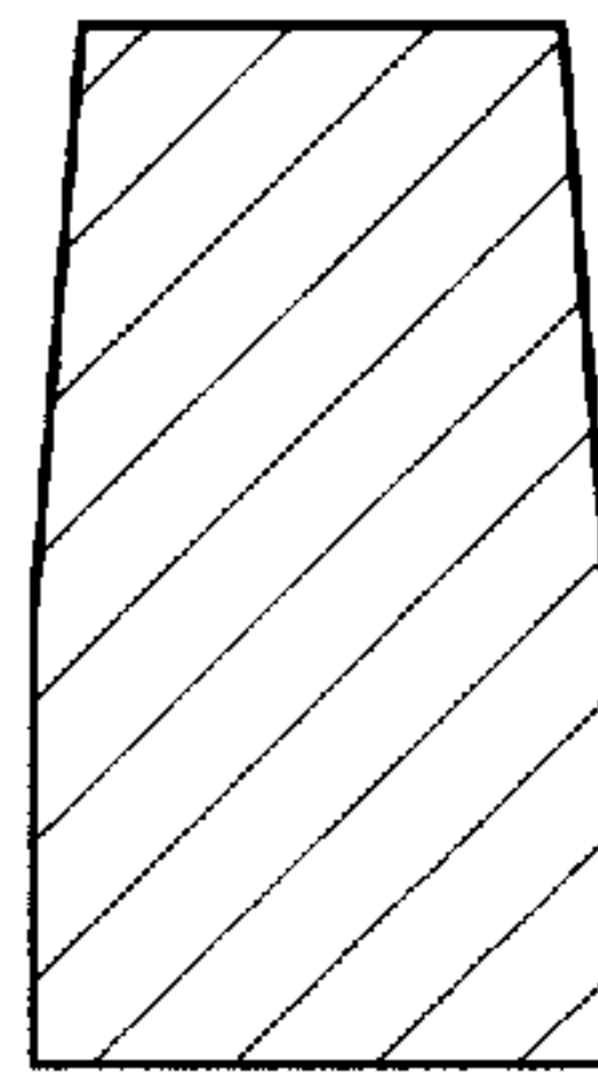


FIG. 8

UNITED STATES PATENT AND TRADEMARK OFFICE
CERTIFICATE OF CORRECTION

PATENT NO. : Des.404,363
DATED : Jan. 19, 1999
INVENTOR(S) : Michael L. Pyle

It is certified that error appears in the above-identified patent and that said Letters Patent is hereby corrected as shown below:

On the title page under "Description" line 7, "FIG. 3" should read -- FIG. 1 --.

Signed and Sealed this
Twenty-fifth Day of May, 1999

Attest:



Q. TODD DICKINSON

Attesting Officer

Acting Commissioner of Patents and Trademarks