



US00D404362S

United States Patent [19]

Auray et al.

[11] Patent Number: **Des. 404,362**

[45] Date of Patent: ****Jan. 19, 1999**

[54] **JUNCTION BOX CONNECTOR**
[75] Inventors: **Delbert L. Auray**, Southport; **Kenneth M. Kiely**, Milford, both of Conn.

2,540,999 2/1951 Thomas, Jr. 285/154.1
2,973,212 2/1961 Rose 248/56
3,174,776 3/1965 Berger 285/154.4
5,539,152 7/1996 Gretz 174/65 R
5,647,613 7/1997 Marik et al. 285/154.3 X

[73] Assignee: **Bridgeport Fittings, Inc.**, Stratford, Conn.

Primary Examiner—Joel Sincavage
Attorney, Agent, or Firm—Melvin I. Stoltz

[**] Term: **14 Years**

[57] **CLAIM**

[21] Appl. No.: **67,666**

The ornamental design for a junction box connector, as shown and described.

[22] Filed: **Mar. 6, 1997**

DESCRIPTION

[51] **LOC (6) Cl.** **13-03**
[52] **U.S. Cl.** **D13/152**
[58] **Field of Search** D13/152; 174/135,
174/65 G, 65 R; 285/149.1, 154.1, 154.4,
404; 248/56; 403/69

FIG. 1 is a perspective view of the junction box connector showing our new design;
FIG. 2 is a top plan view thereof;
FIG. 3 is a side elevational view thereof, the opposite side being a mirror image thereof;
FIG. 4 is a front elevational view thereof;
FIG. 5 is a rear elevational view thereof; and,
FIG. 6 is a bottom plan view thereof.

[56] **References Cited**

U.S. PATENT DOCUMENTS

D. 380,197 6/1997 Garcia et al. D13/152
2,490,286 12/1949 Tornblom 285/154.1

1 Claim, 2 Drawing Sheets

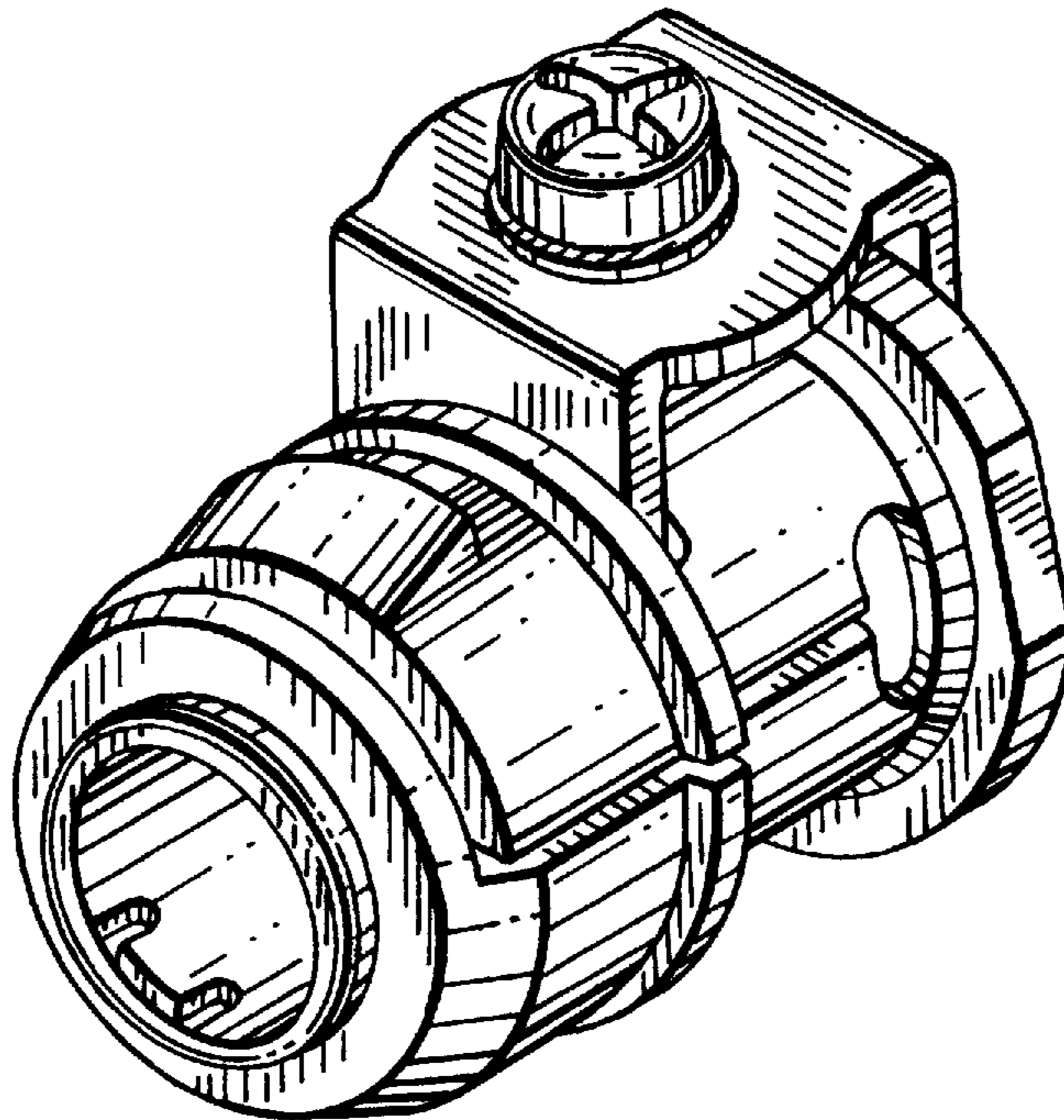


FIG. 1

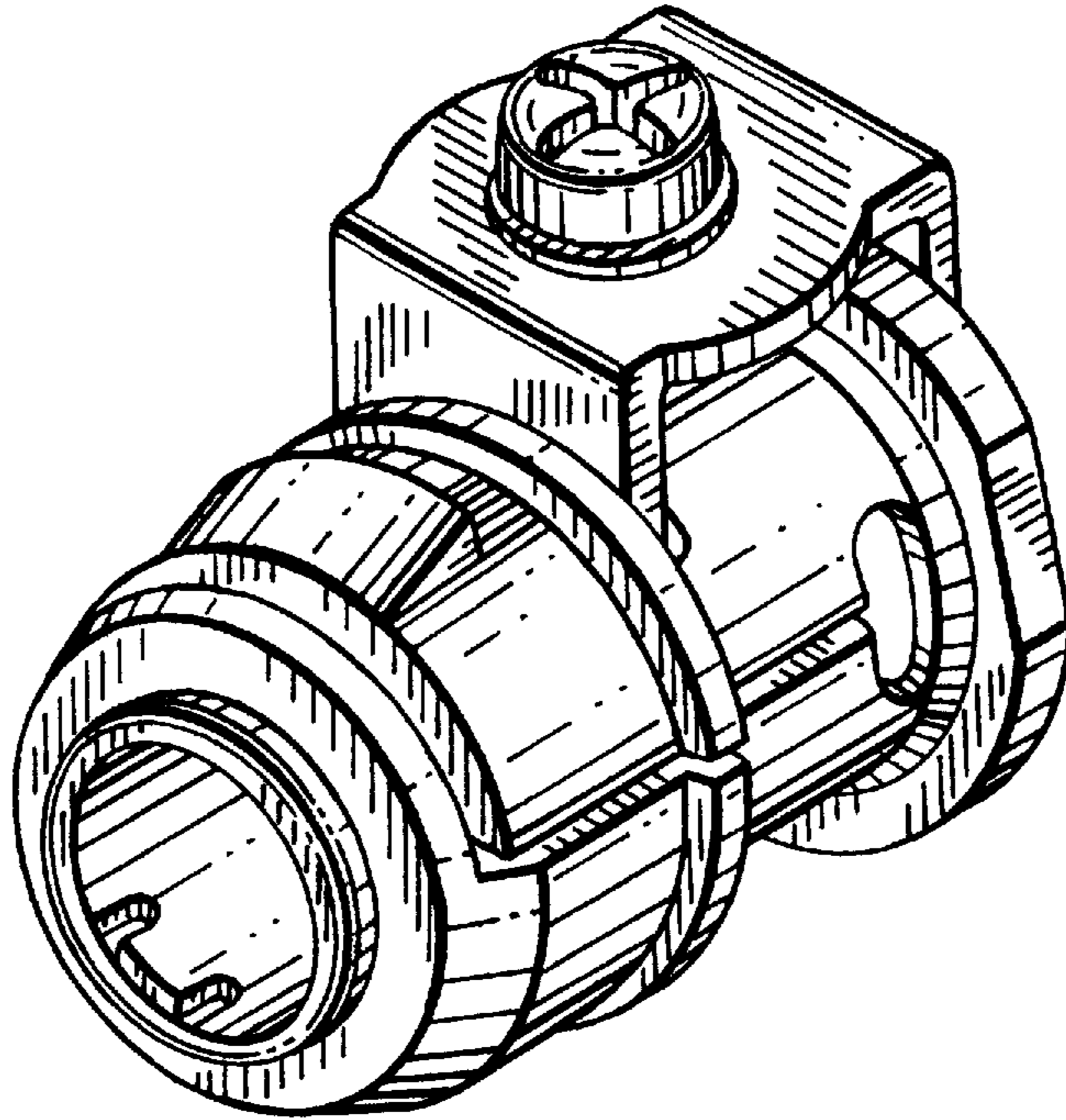
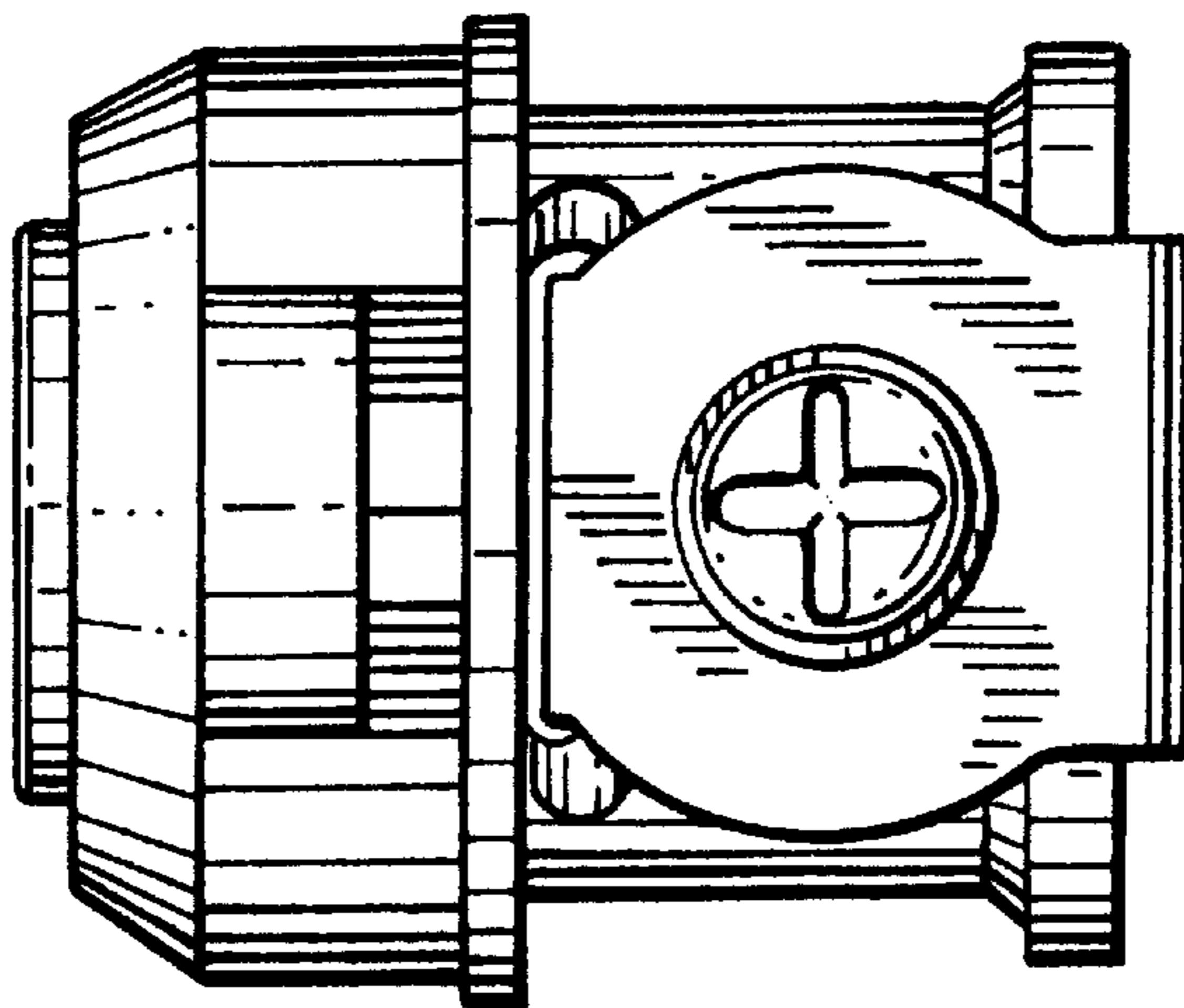


FIG. 2



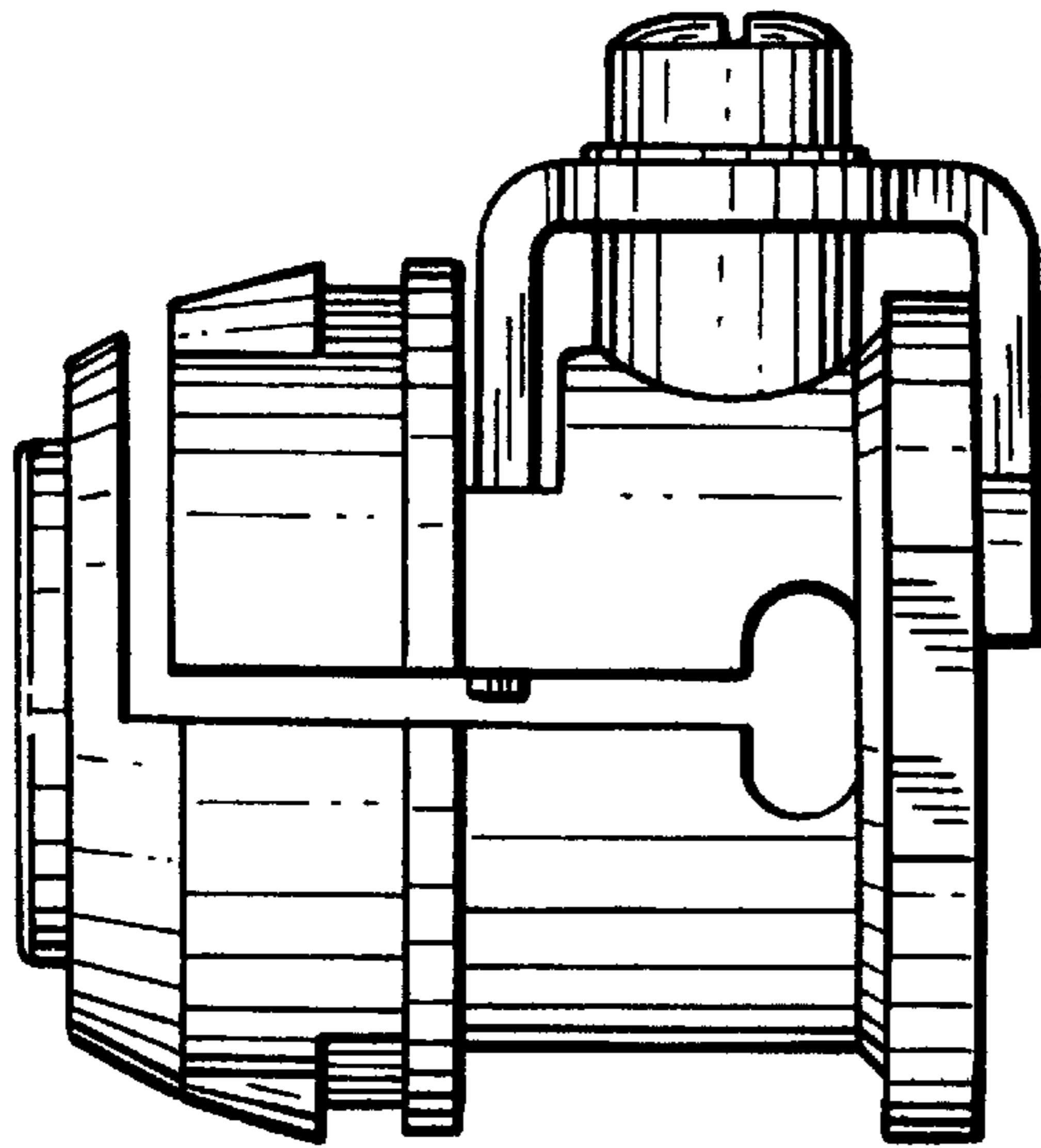


FIG. 3

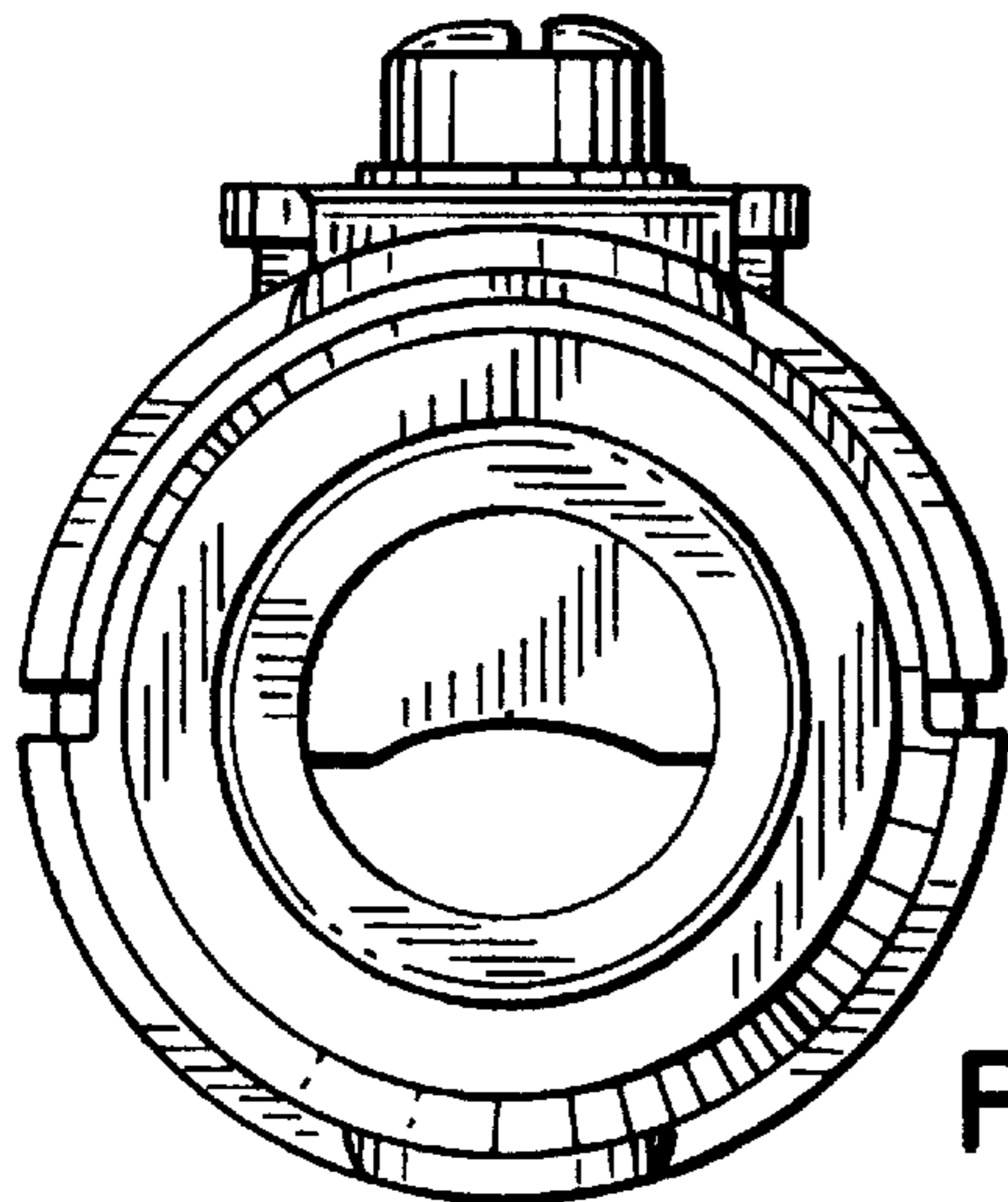


FIG. 4

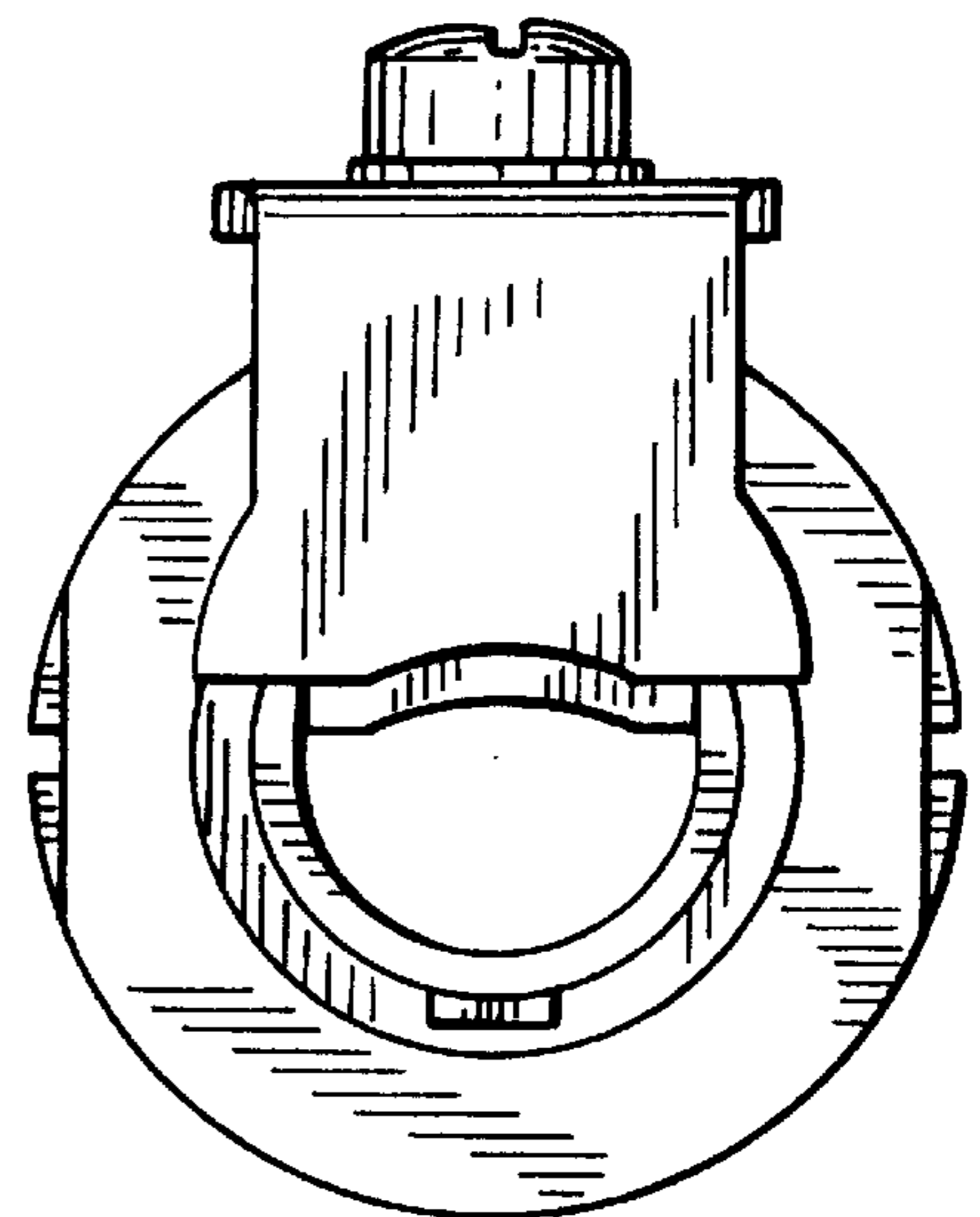


FIG. 5

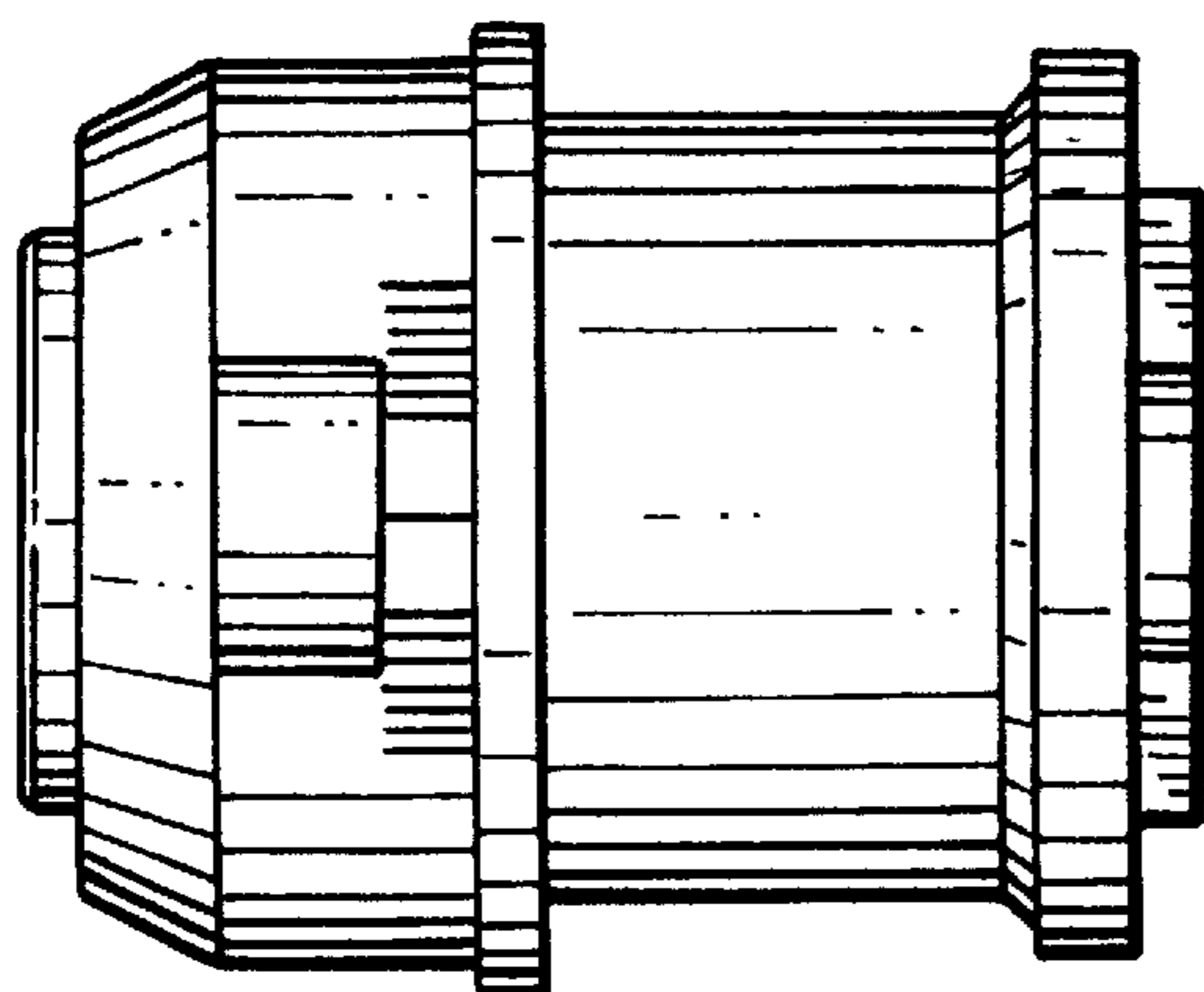


FIG. 6