

US00D404360S

# United States Patent [19]

Brorsson et al.

[11] Patent Number: **Des. 404,360**

[45] Date of Patent: **\*\*Jan. 19, 1999**

[54] **CONNECTOR HOUSING**

[75] Inventors: **Lena Charlott Brorsson**, Lund; **Jan Gustav Atterklint**, Skärholmen; **Sven Ingvar Sjöqvist**, Tullinge, all of Sweden; **Jacobus Nicolass Tuin**, Best, Netherlands; **Carl-Magnus Hansson**, Lund, Sweden

[73] Assignee: **Telefonaktiebolaget LM Ericsson**, Stockholm, Sweden

[\*\*] Term: **14 Years**

[21] Appl. No.: **60,688**

[22] Filed: **Oct. 4, 1996**

[30] **Foreign Application Priority Data**

Apr. 4, 1996 [SE] Sweden ..... 96-0775

[51] **LOC (6) Cl.** ..... **13-03**

[52] **U.S. Cl.** ..... **D13/147**

[58] **Field of Search** ..... D13/133, 146, D13/147; 174/50.52; 439/606-610, 638, 701, 597, 598, 680, 681; 361/600, 747

[56] **References Cited**

**U.S. PATENT DOCUMENTS**

D. 205,509 8/1966 Reynolds ..... D13/147

- D. 223,000 2/1972 Trickey ..... D13/147
- D. 328,590 8/1992 Tanaka ..... D13/147
- D. 340,913 11/1993 Miller ..... D13/147 X
- D. 351,136 10/1994 Kurata ..... D13/147

*Primary Examiner*—Alan P. Douglas  
*Assistant Examiner*—Lavone D. Tabor  
*Attorney, Agent, or Firm*—Burns, Doane, Swecker & Mathis, L.L.P.

[57] **CLAIM**

The ornamental design for a connector housing as shown and described.

**DESCRIPTION**

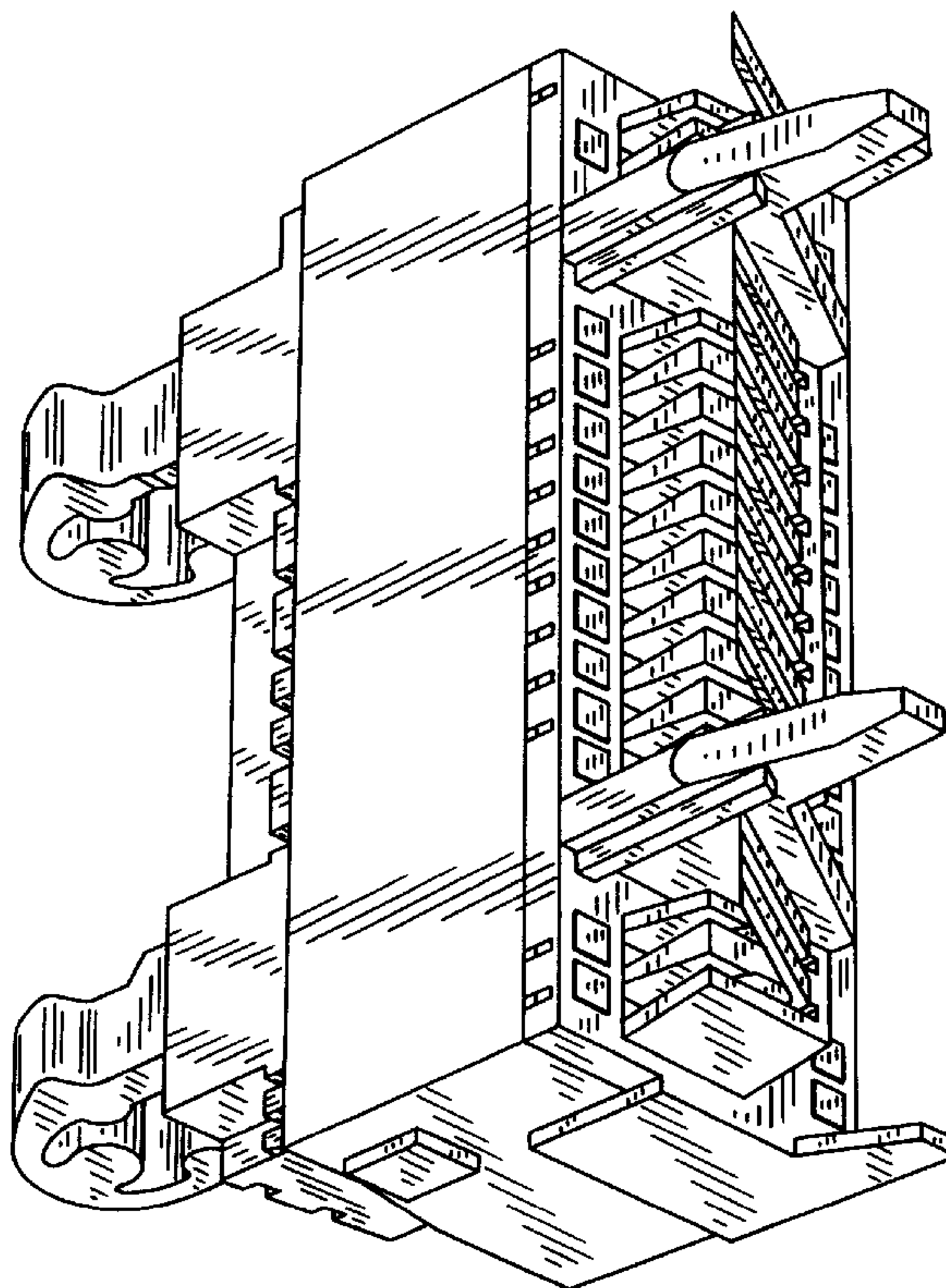
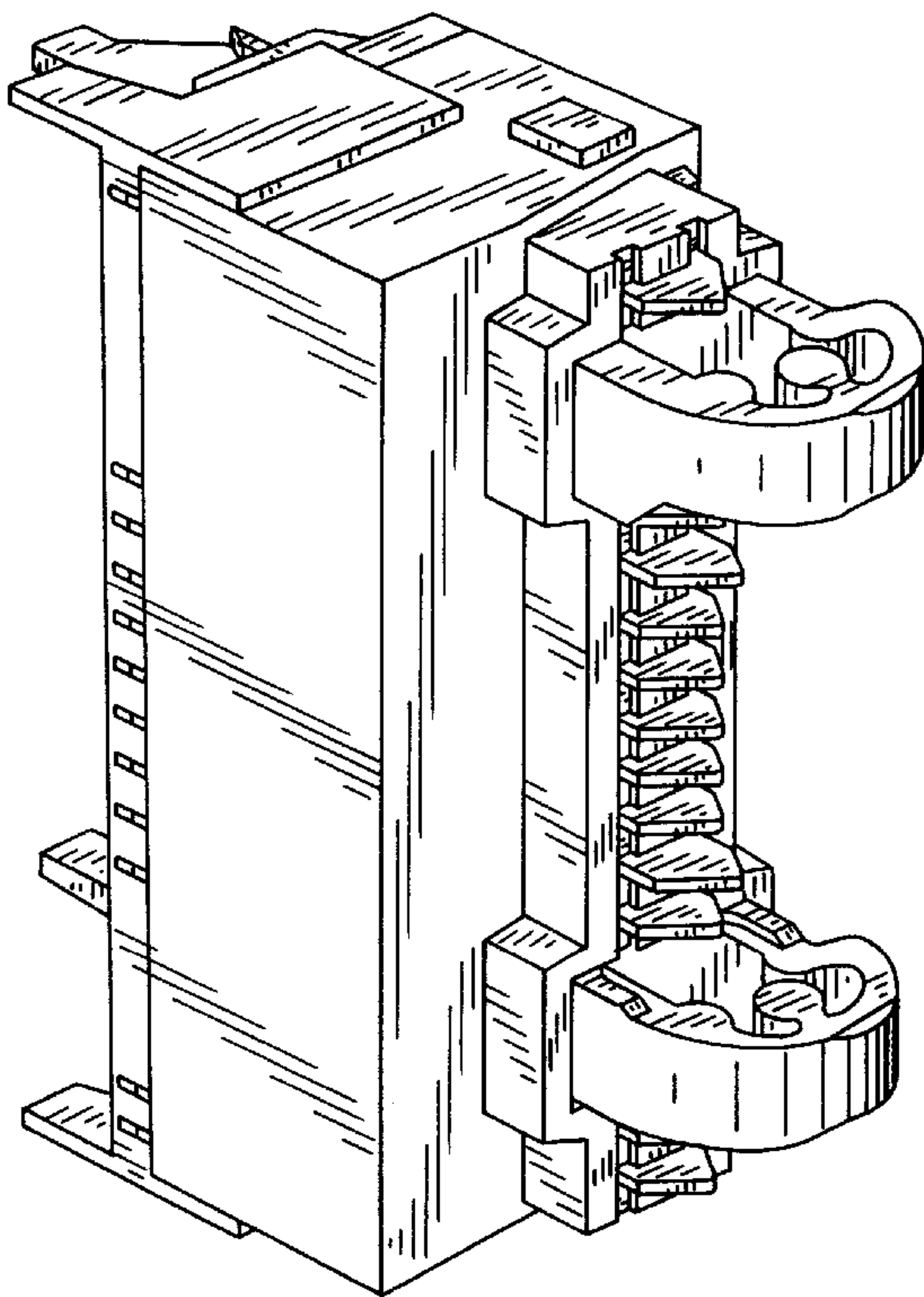
FIG. 1 is a front, top, and side perspective view of a connector housing showing our new design;

FIG. 2 is a rear, bottom, and opposite side perspective view thereof;

FIG. 3 is a front perspective thereof, shown without the locking spring for clarity of illustration only; and,

FIG. 4 is a rear perspective view of FIG. 3 .

**1 Claim, 2 Drawing Sheets**



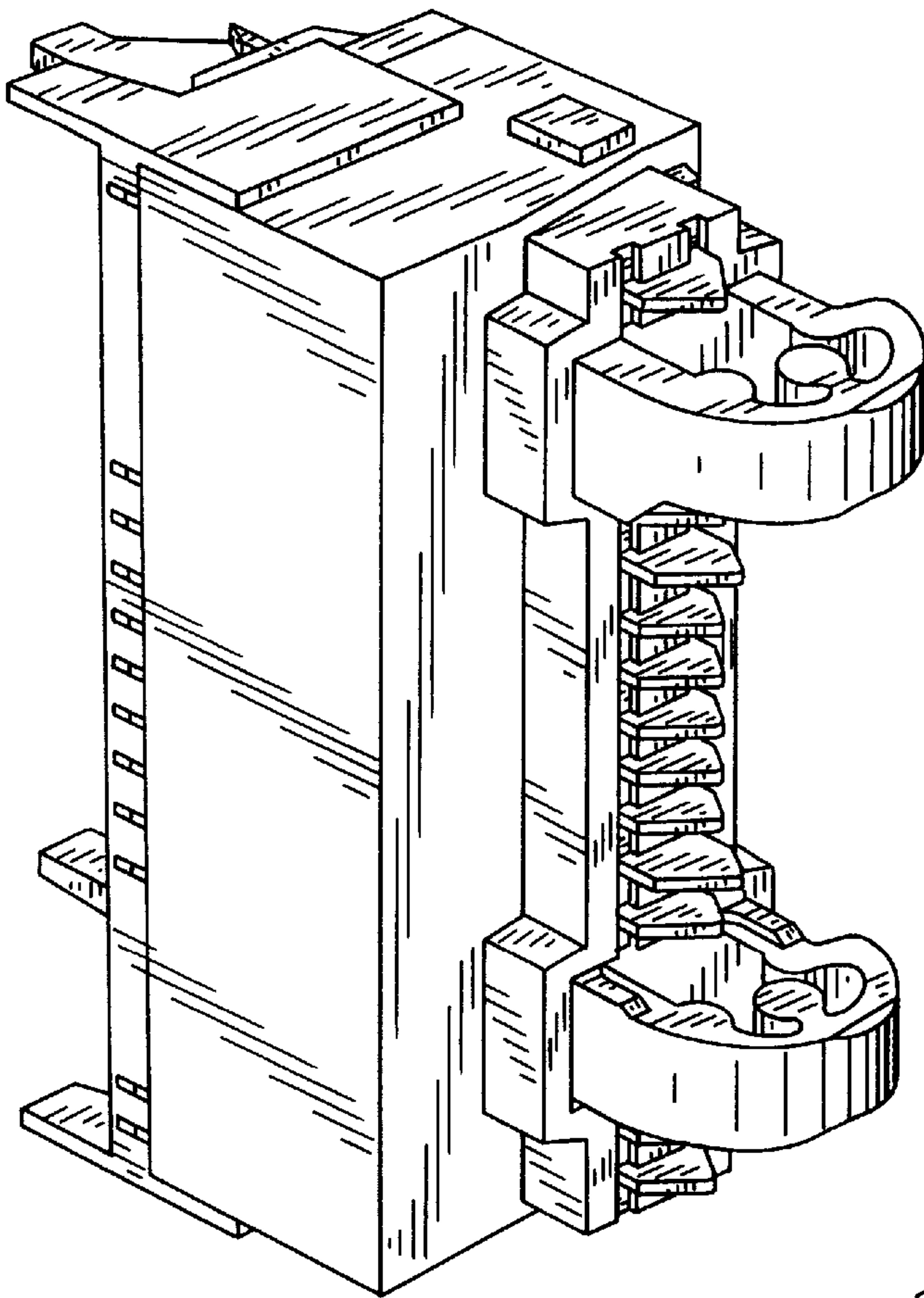
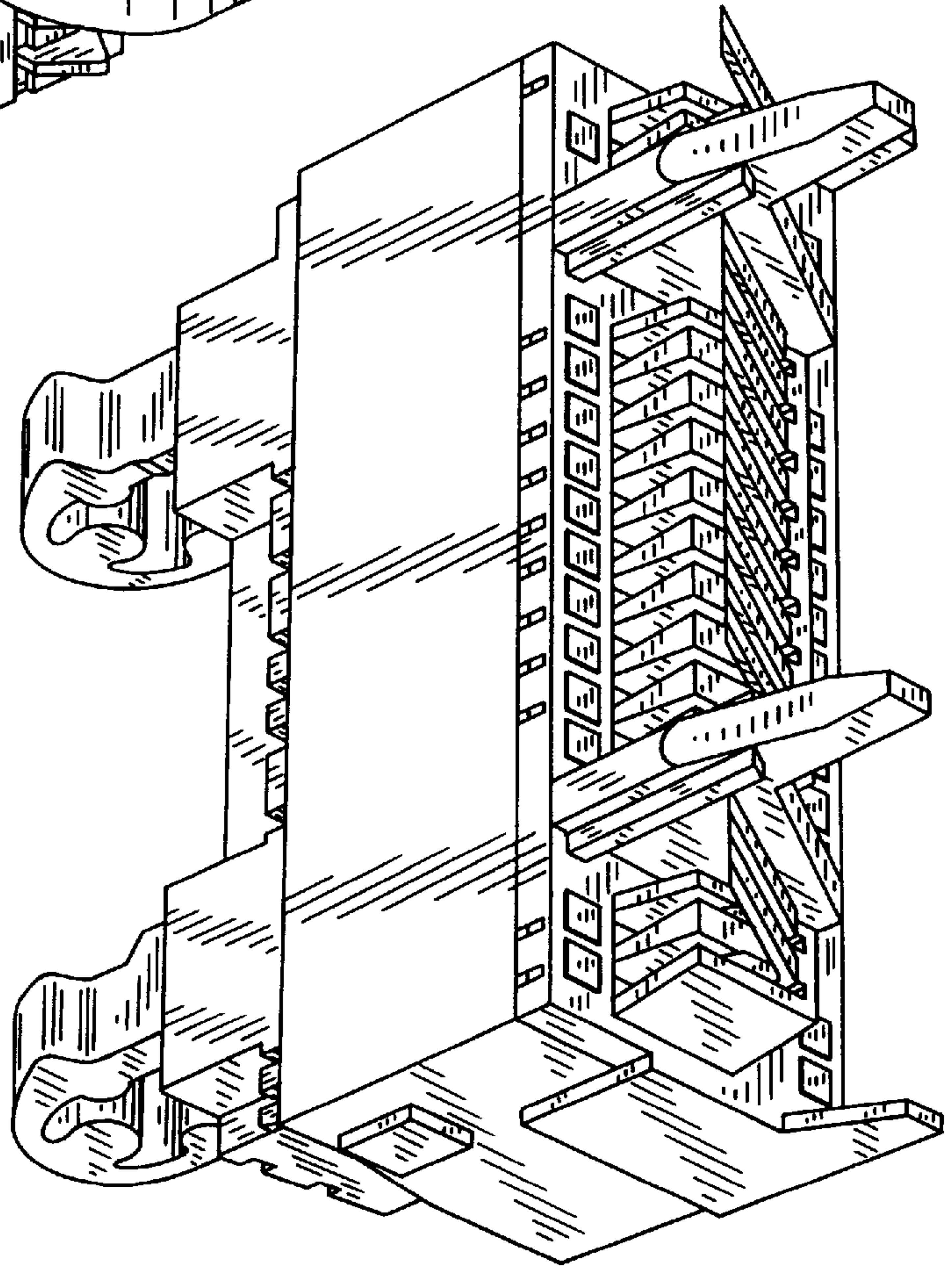


FIG. 1

FIG. 2





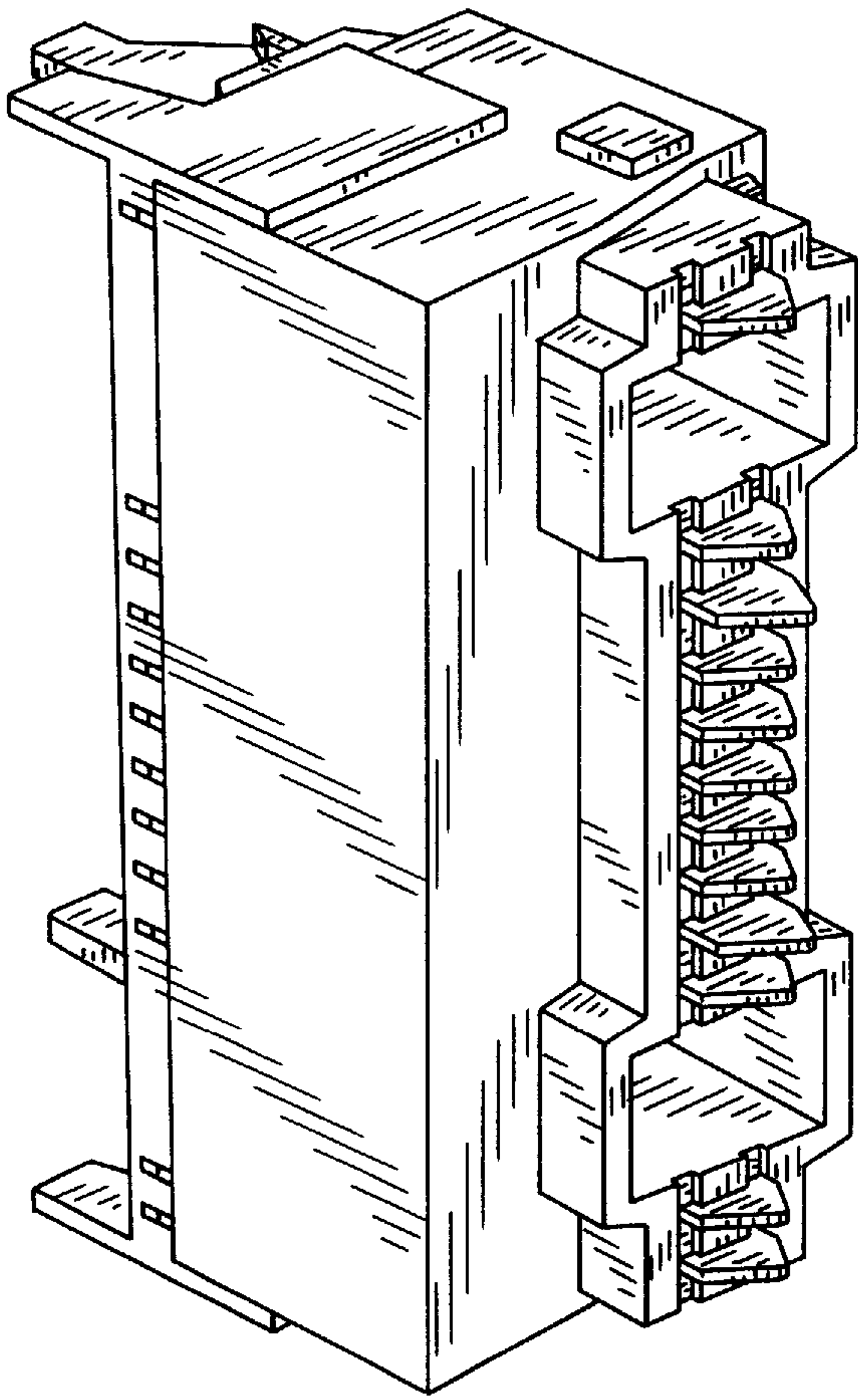


FIG. 3

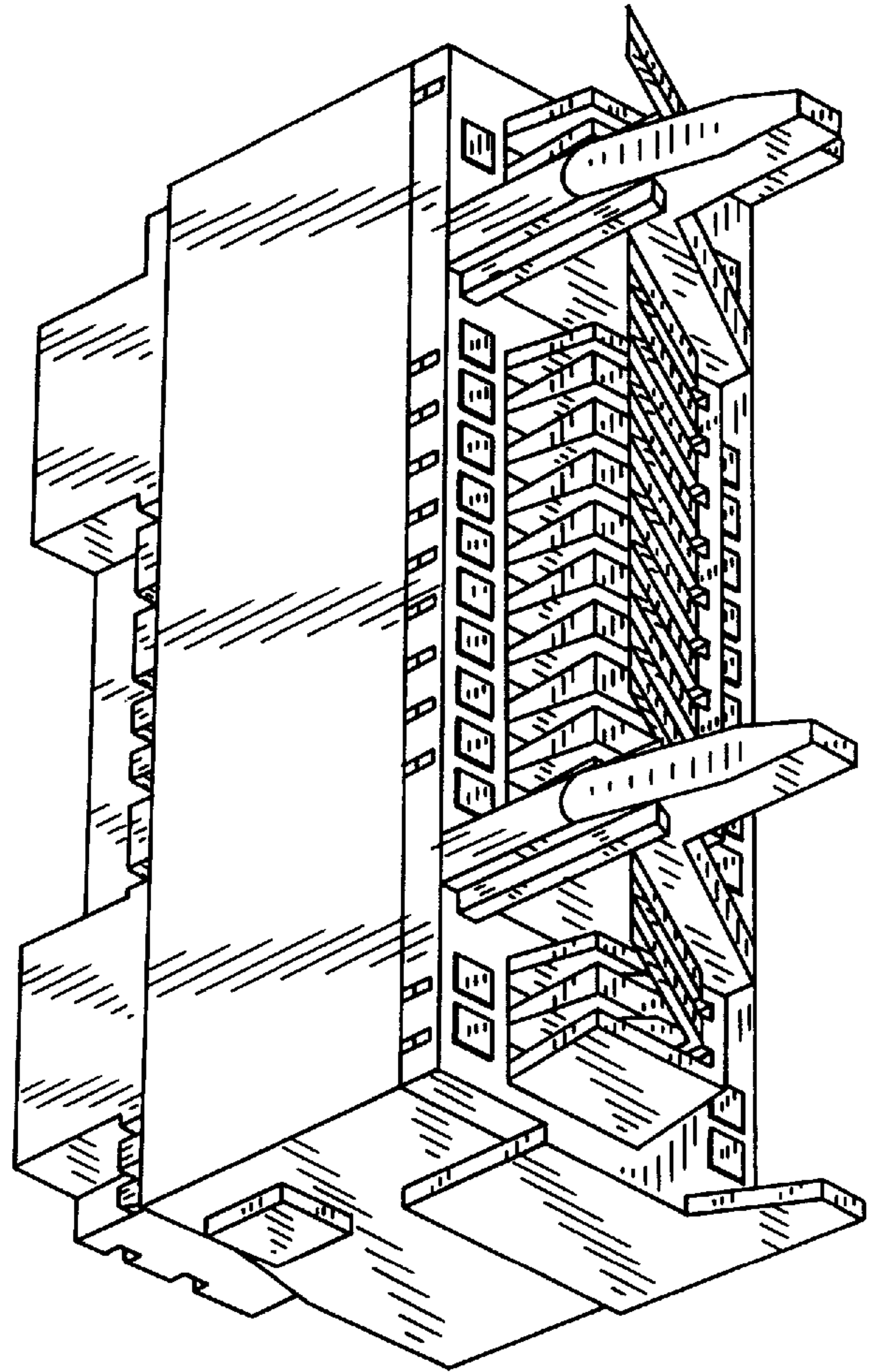


FIG. 4