



US00D404358S

United States Patent [19]
Sato et al.

[11] **Patent Number: Des. 404,358**

[45] **Date of Patent: **Jan. 19, 1999**

[54] **LAMP SOCKET**

3,633,149 1/1972 Maltais 439/612
4,938,709 7/1990 Smith et al. 439/612 X

[75] Inventors: **Katunori Sato**, Tochigi; **Kazuaki Murata**, Tokyo, both of Japan

Primary Examiner—Joel Sincavage
Attorney, Agent, or Firm—Morrison Law Firm

[73] Assignee: **Moriyama Sangyo Kabushiki Kaisha**, Japan

[57] **CLAIM**

[**] Term: **14 Years**

The ornamental design for a lamp socket, as shown and described.

[21] Appl. No.: **70,041**

DESCRIPTION

[22] Filed: **Apr. 25, 1997**

FIG. 1 is a perspective view of a lamp socket showing my new design;

[51] **LOC (6) Cl.** **13-03**

FIG. 2 is a front elevational view thereof;

[52] **U.S. Cl.** **D13/134**

FIG. 3 is a right side elevational view thereof;

[58] **Field of Search** D13/134; 439/612;
313/318.01, 318.02, 318.07, 318.09, 318.11,
318.12

FIG. 4 is a top plan view thereof;

FIG. 5 is a bottom plan view thereof; and,

FIG. 6 is a perspective view thereof, with the lamp and reflector shown in broken lines to illustrate the lamp socket in use, and forming no part of the claimed design.

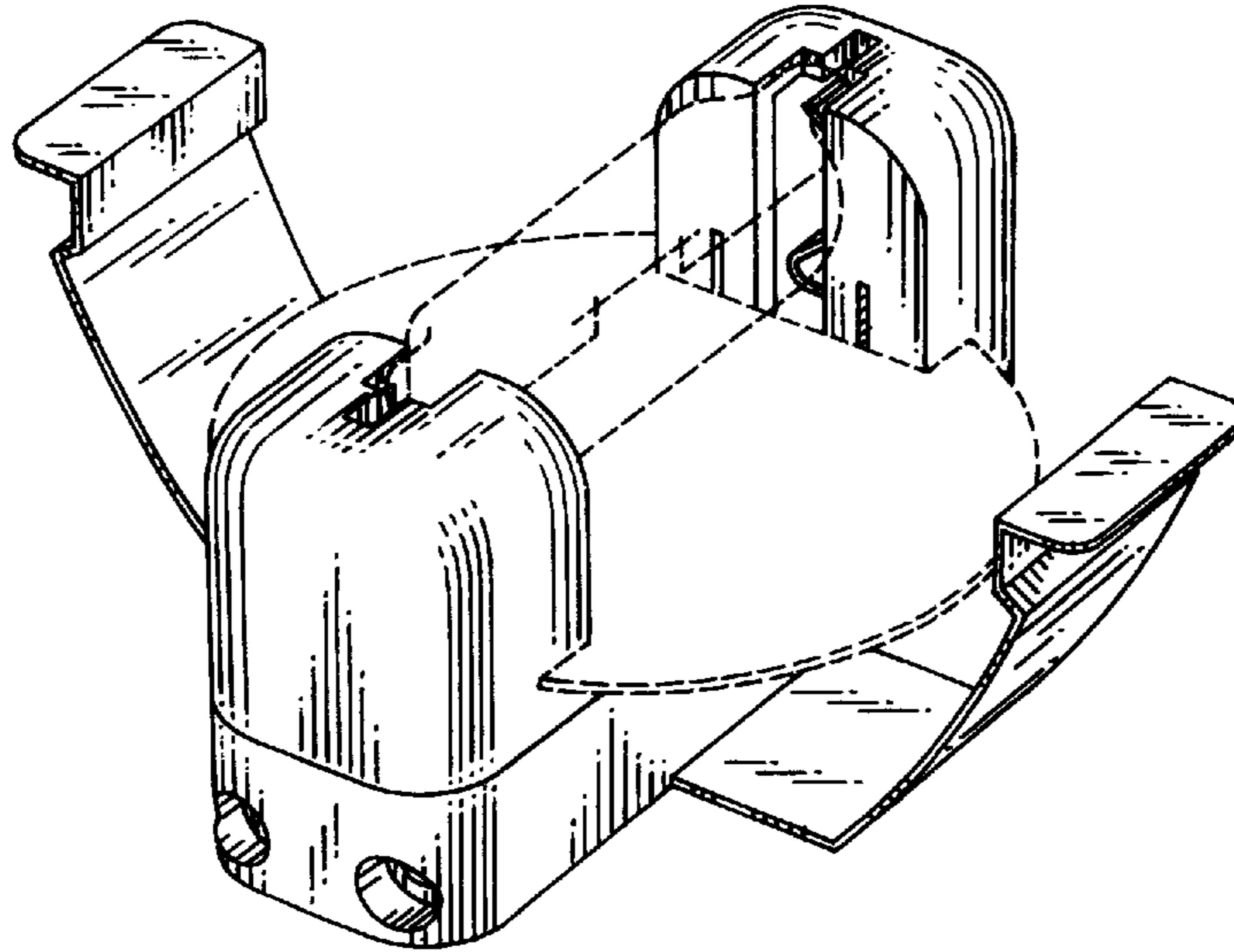
The rear elevational view is the same as the front elevational view and the left side elevational view is the same as the right side elevational view.

[56] **References Cited**

U.S. PATENT DOCUMENTS

D. 391,548 3/1998 Sato et al. D13/134
3,320,466 5/1967 Ayres et al. 313/318.02 X
3,360,765 12/1967 Strange et al. 439/612

1 Claim, 4 Drawing Sheets



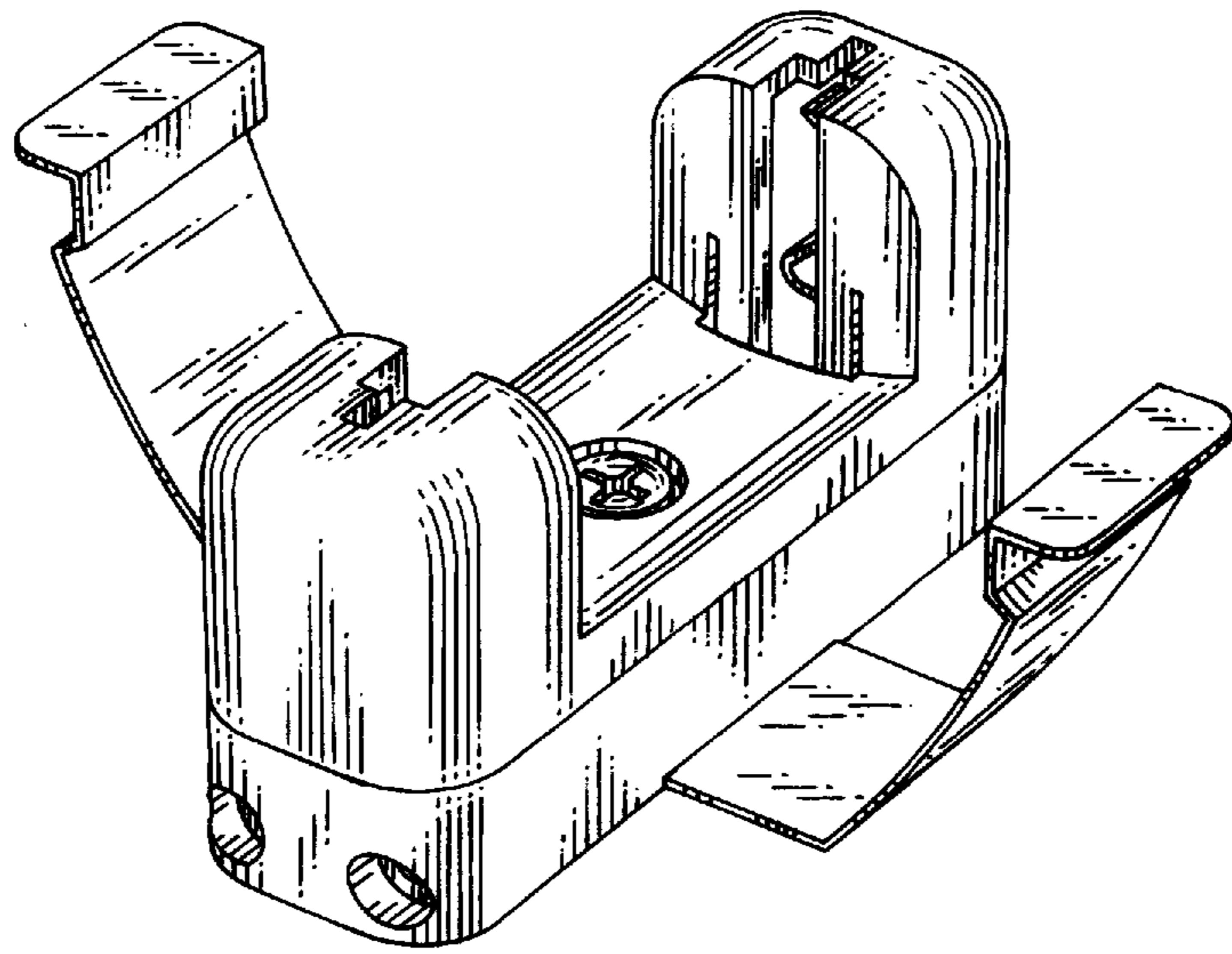


FIG. 1

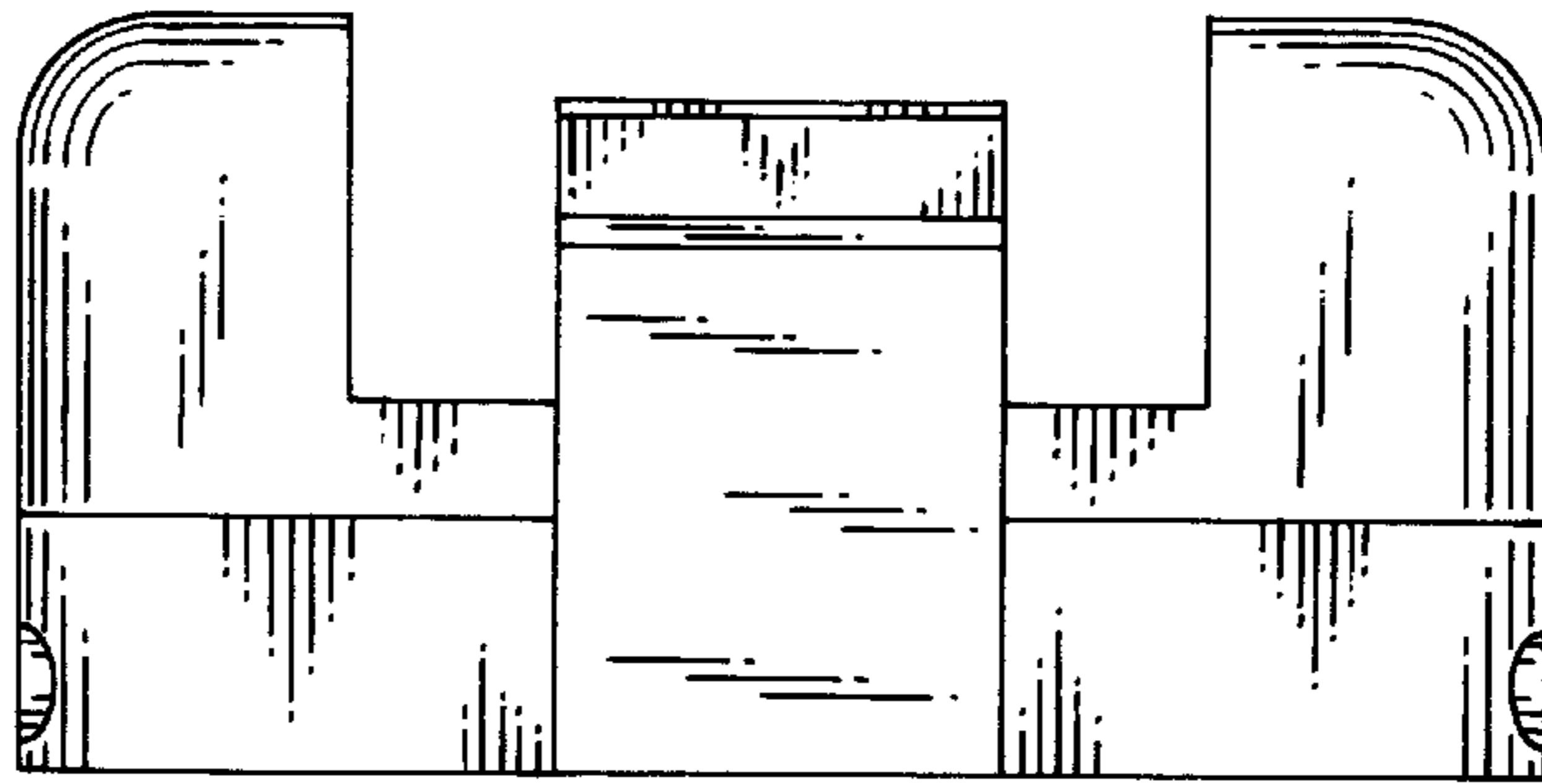


FIG. 2

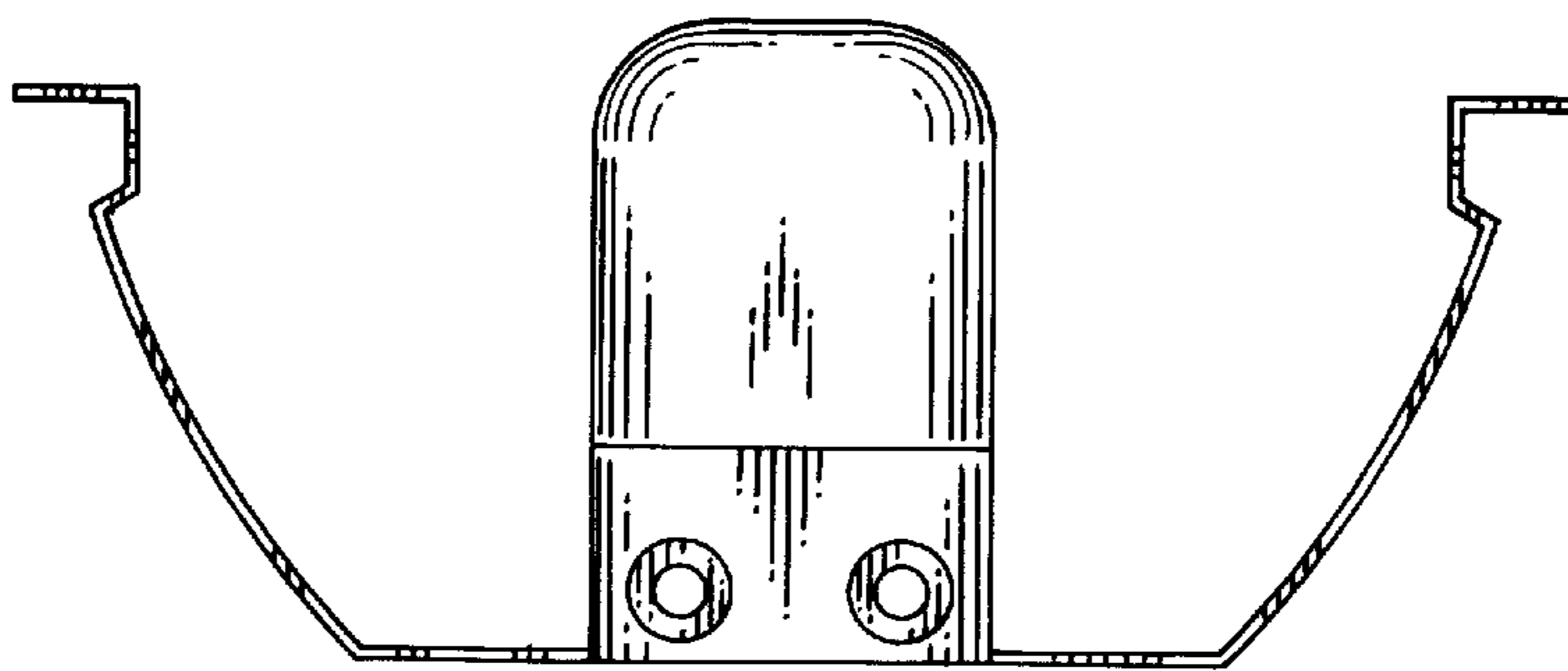


FIG. 3

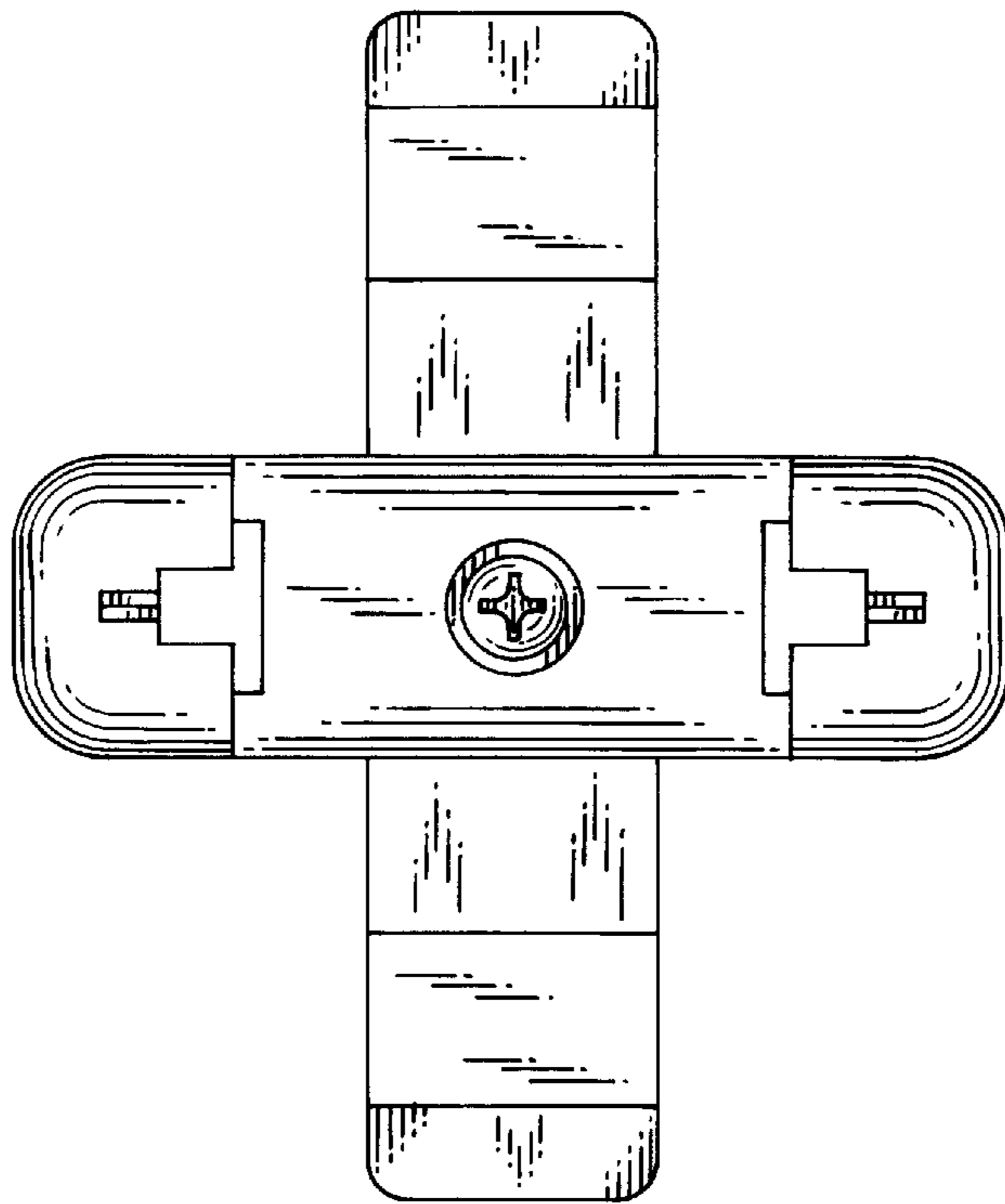


FIG. 4

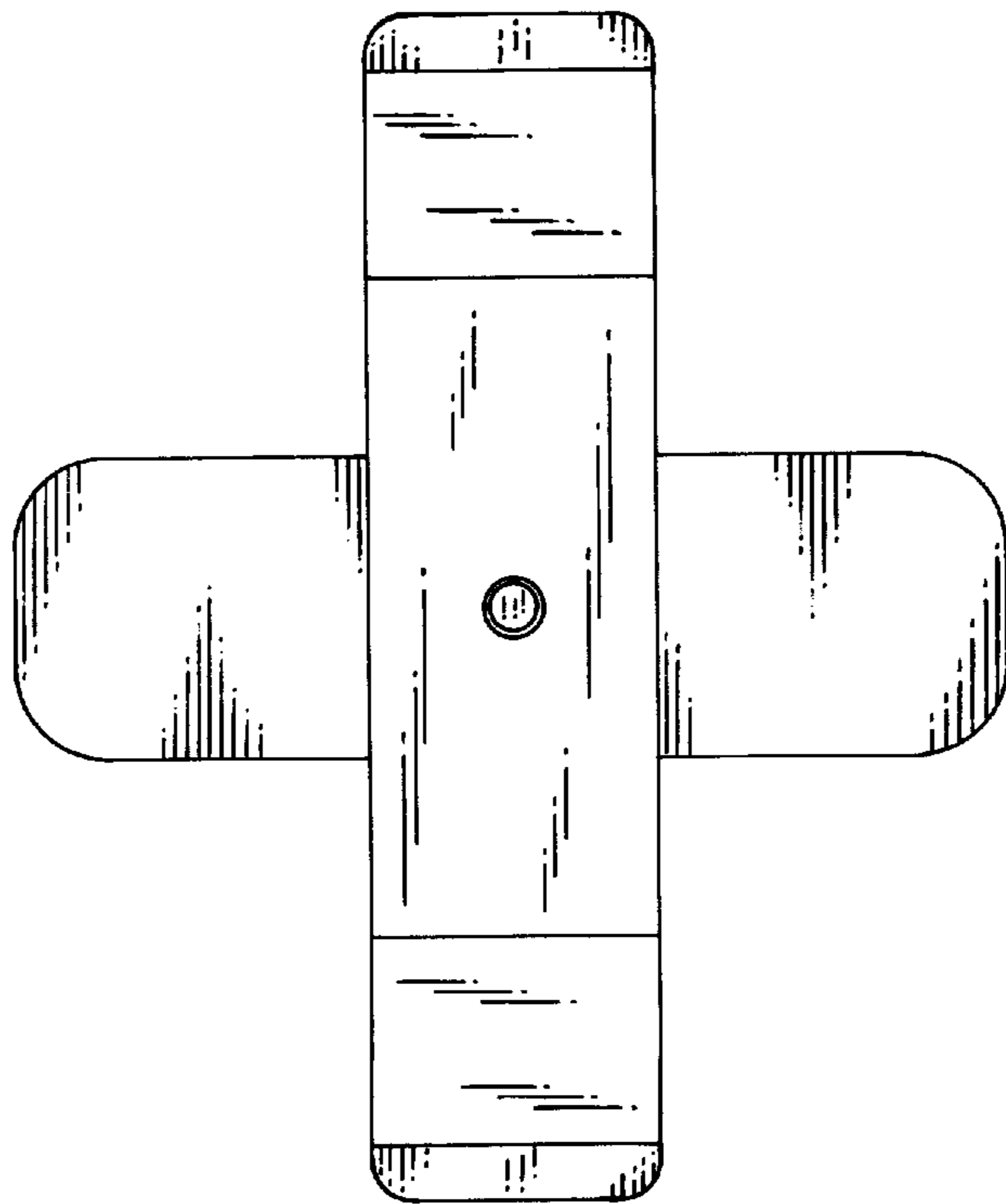


FIG. 5

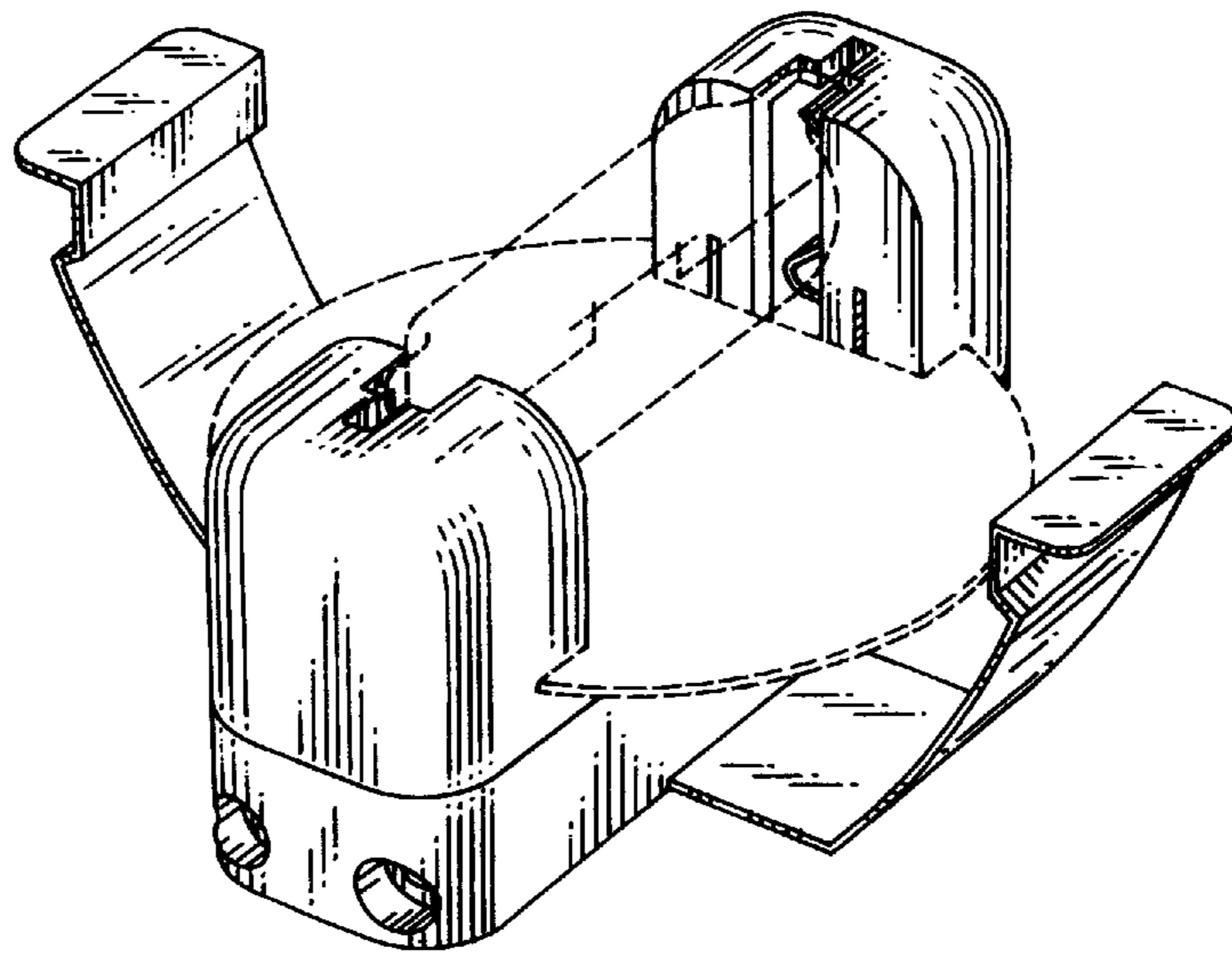


FIG. 6