



US00D404357S

United States Patent [19]

Foster et al.

[11] **Patent Number: Des. 404,357**

[45] **Date of Patent: **Jan. 19, 1999**

[54] **HOUSING FOR BATTERY CHARGING DEVICE**

D. 345,728 4/1994 Tyneski et al. D13/108
D. 369,344 4/1996 Lindeman et al. D13/108
D. 370,658 6/1996 Siddoway et al. D13/108

[75] Inventors: **Alan L. Foster**, Lawrenceville; **Jeffery R. Beasley**, Buford; **Dedelyn Hamilton**, Lawrenceville, all of Ga.; **Michael P. Goldenberg**, Delray Beach, Fla.

Primary Examiner—Joel Sincavage
Attorney, Agent, or Firm—Felipe J. Farley

[73] Assignee: **Motorola, Inc.**, Schaumburg, Ill.

[**] Term: **14 Years**

[57] **CLAIM**

The ornamental design for the housing for battery charging device, as shown and described.

[21] Appl. No.: **57,334**

[22] Filed: **Jul. 23, 1996**

DESCRIPTION

[51] **LOC (6) Cl.** **13-02**

[52] **U.S. Cl.** **D13/108**

[58] **Field of Search** D13/107, 108;
D14/240, 251; 320/2, 3, 4, 15

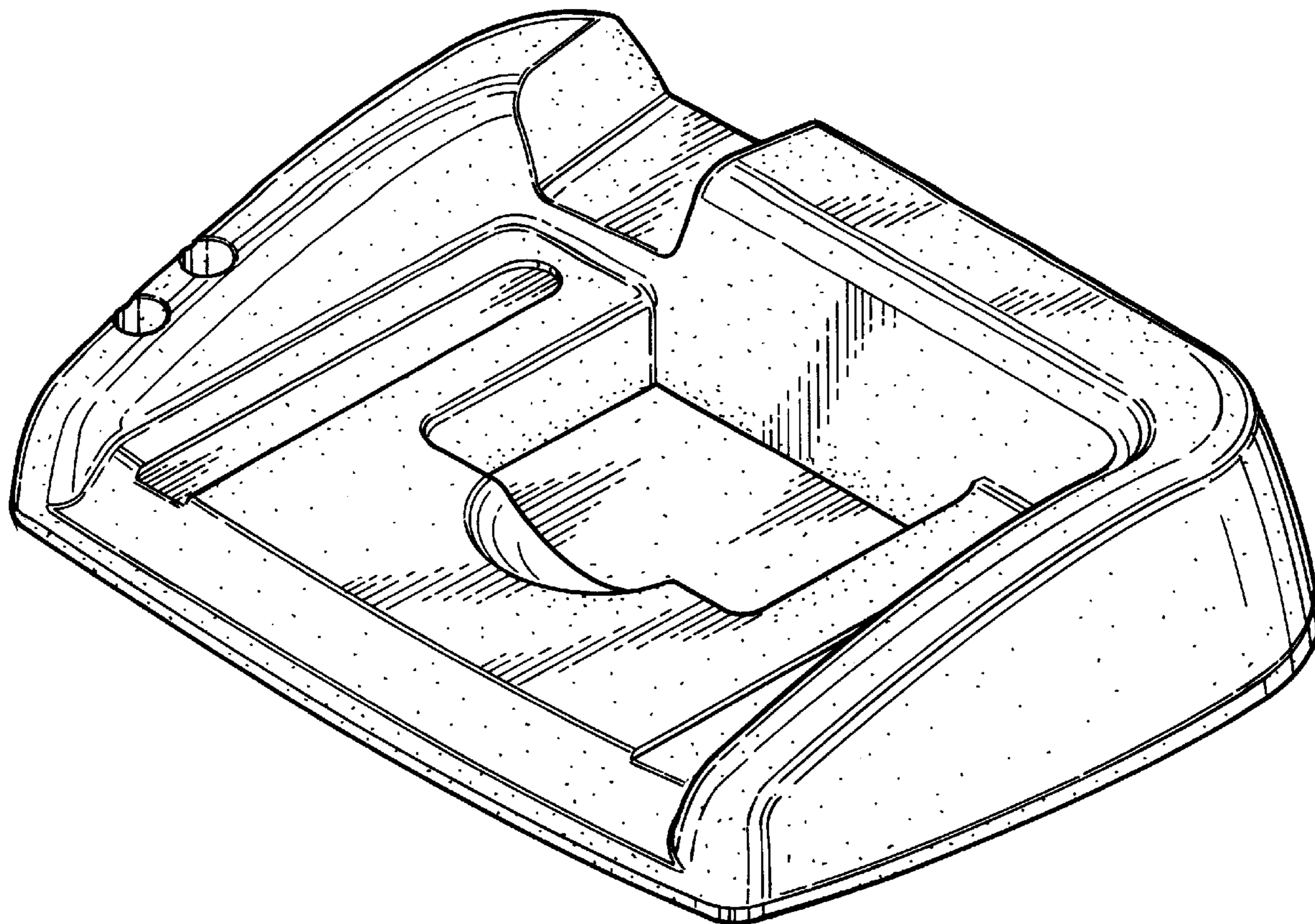
FIG. 1 is a front right isometric view of the housing of the battery charging device showing our new design; FIG. 2 is a front elevational view thereof; and FIG. 3 is a right side elevational view thereof; FIG. 4 is a left side elevational view thereof; FIG. 5 is a top plan view thereof; FIG. 6 is a rear elevational view thereof; and, FIG. 7 is a bottom plan view thereof.

[56] **References Cited**

U.S. PATENT DOCUMENTS

D. 307,016 4/1990 Watanabe D14/240

1 Claim, 2 Drawing Sheets



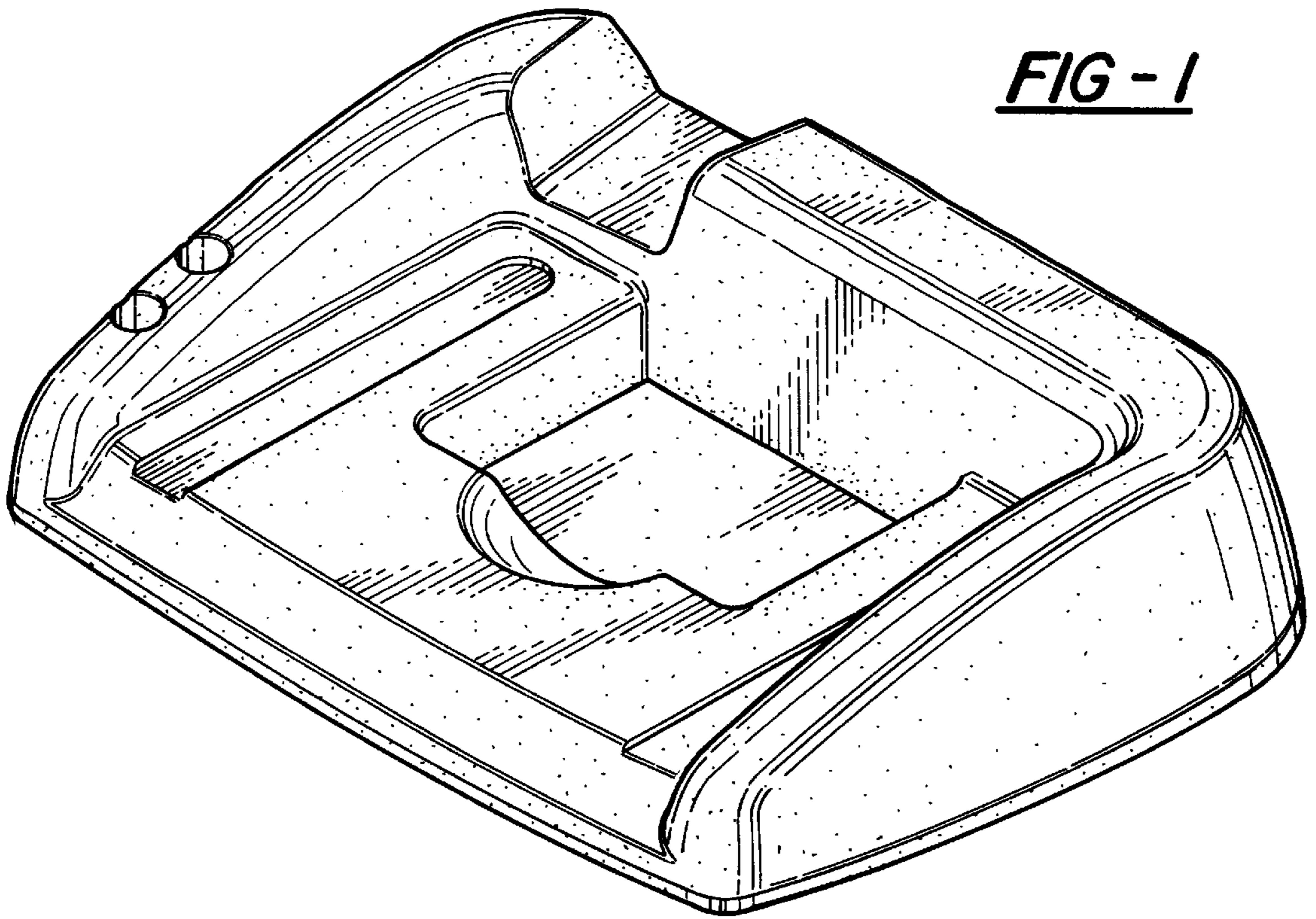


FIG - 1

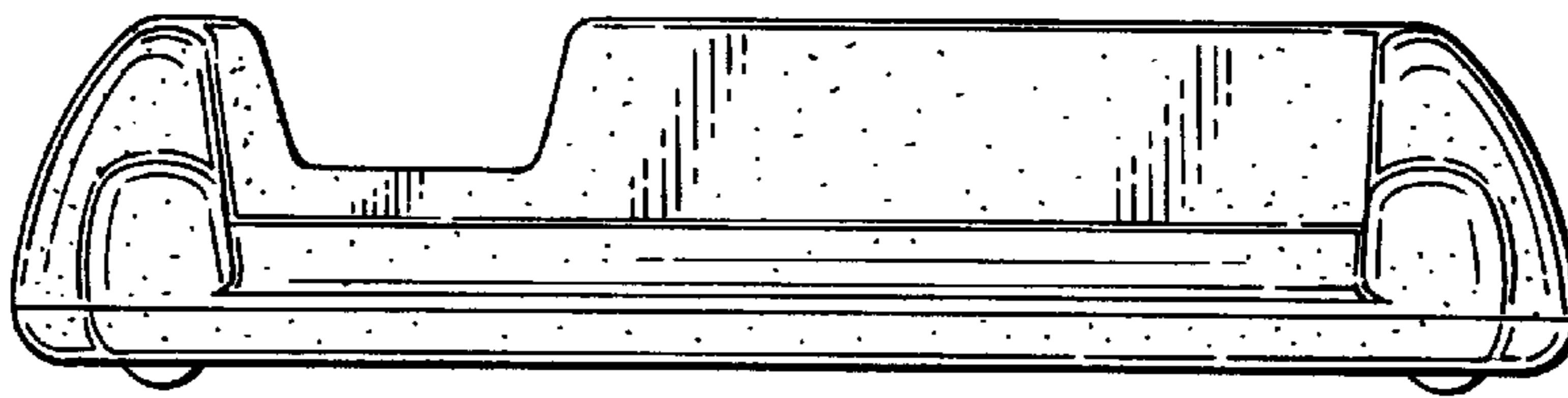


FIG - 2

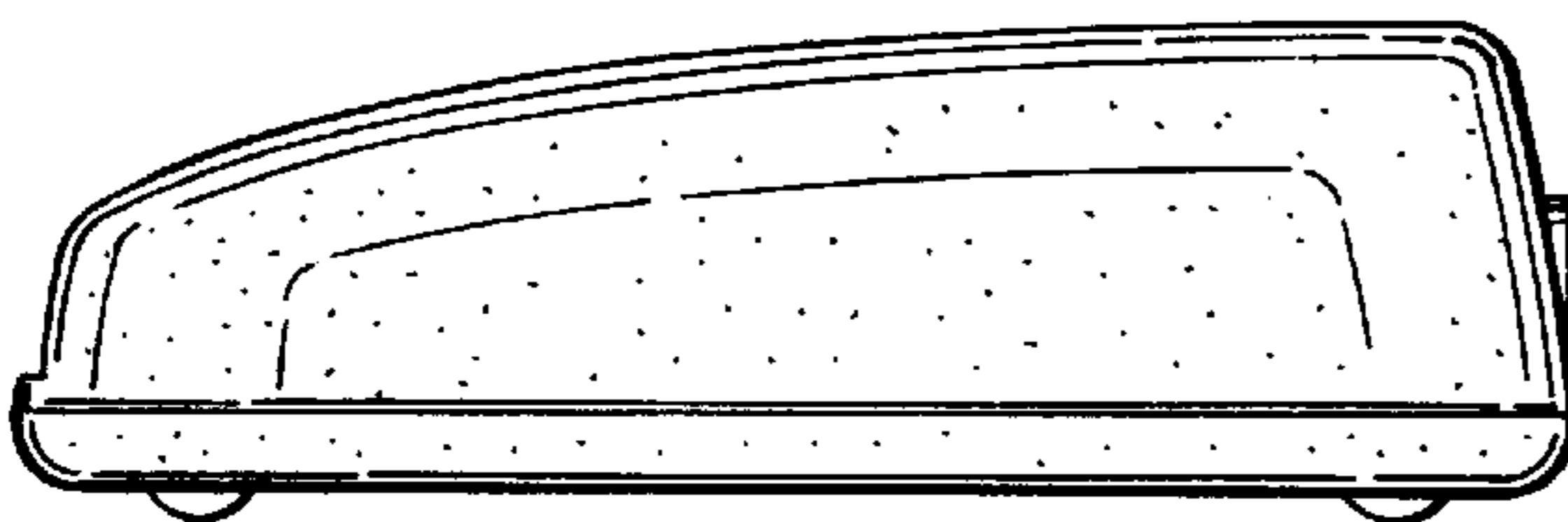


FIG - 3

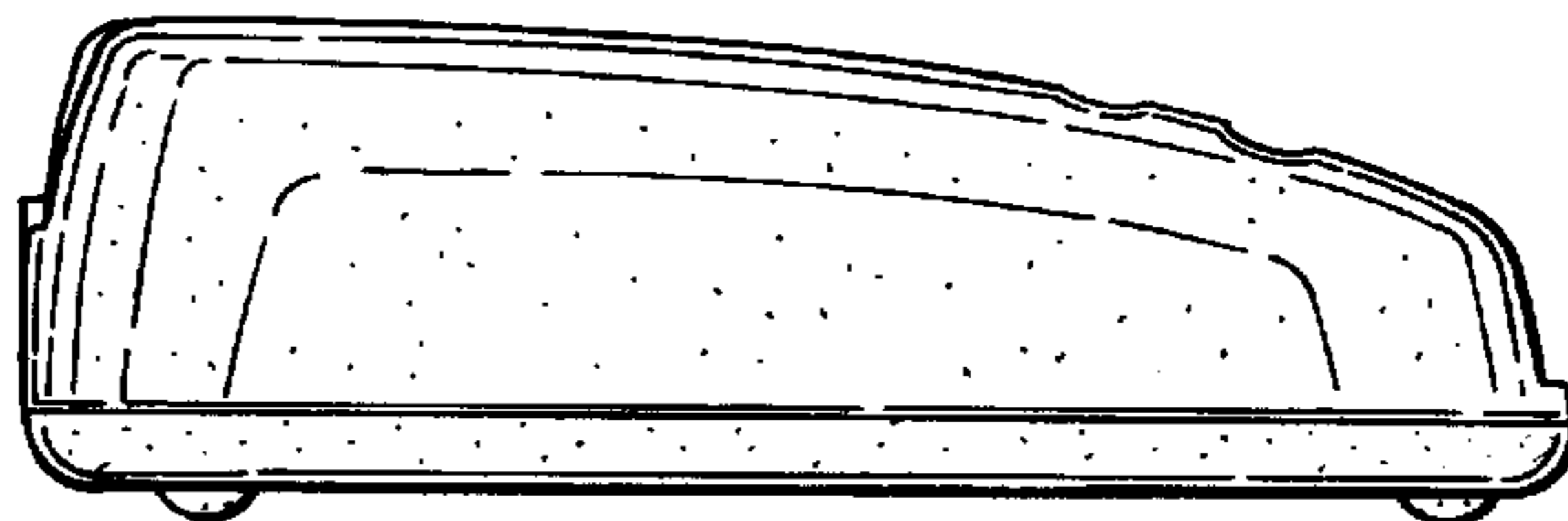


FIG - 4

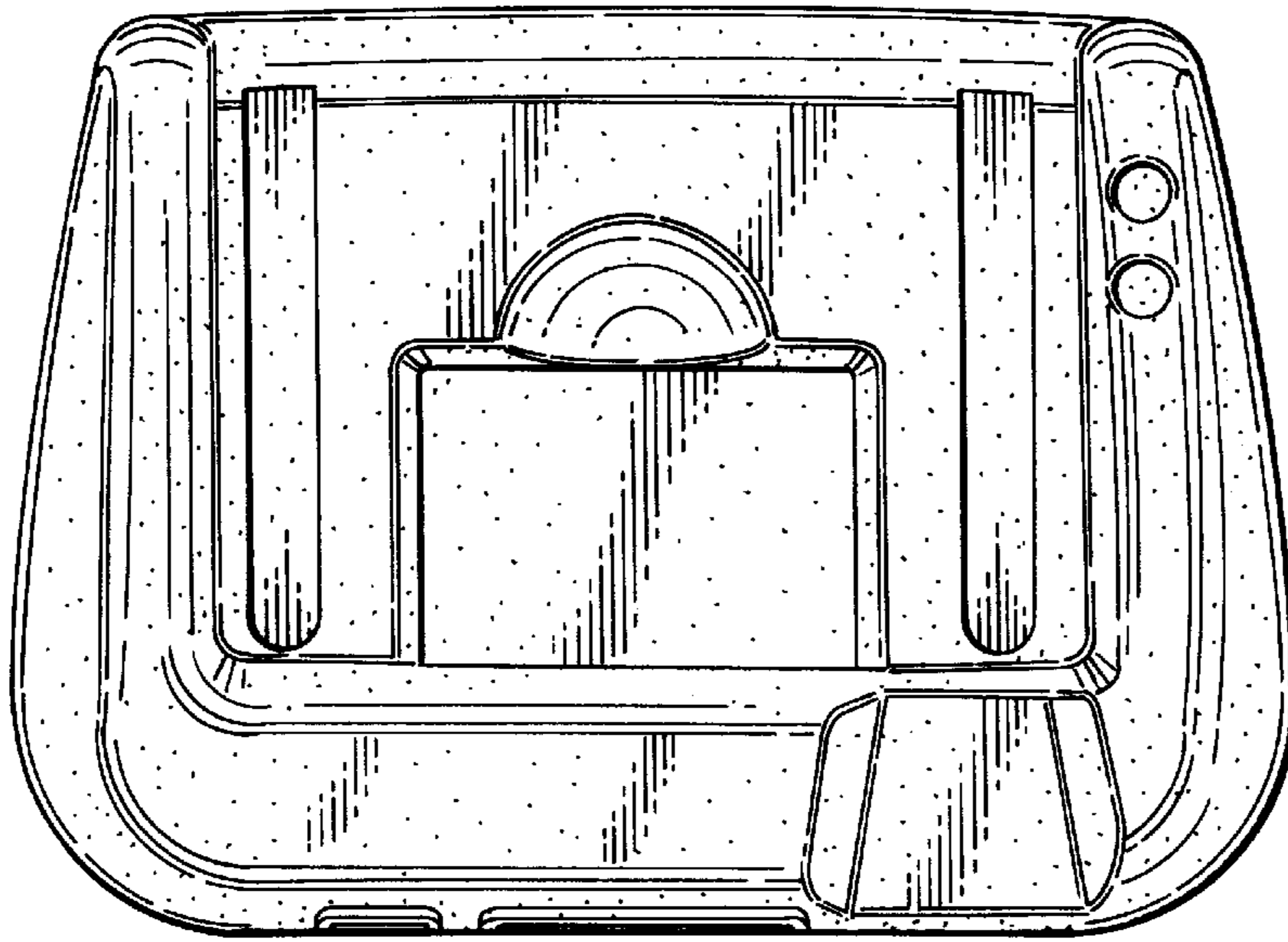


FIG-5

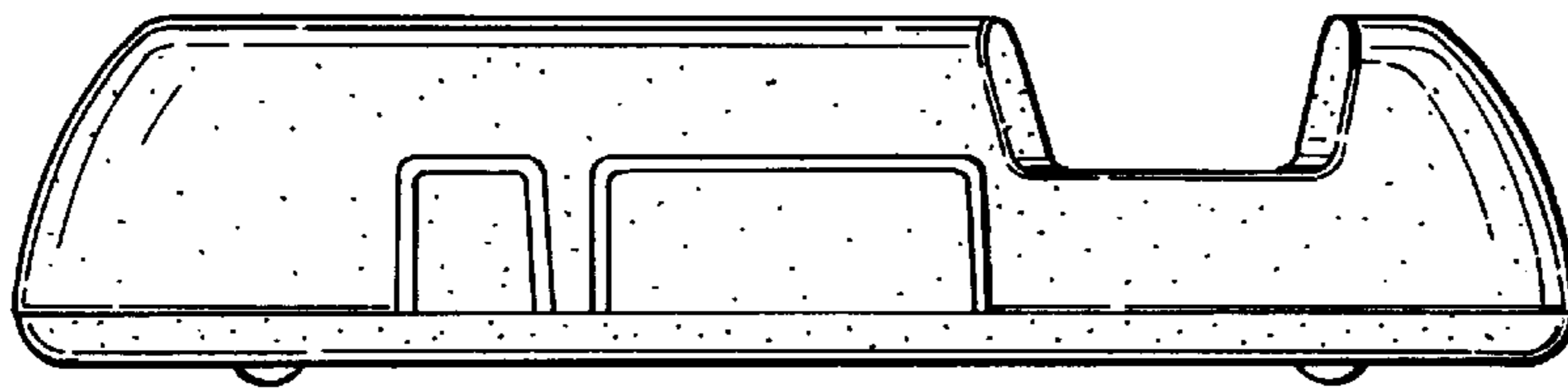


FIG-6

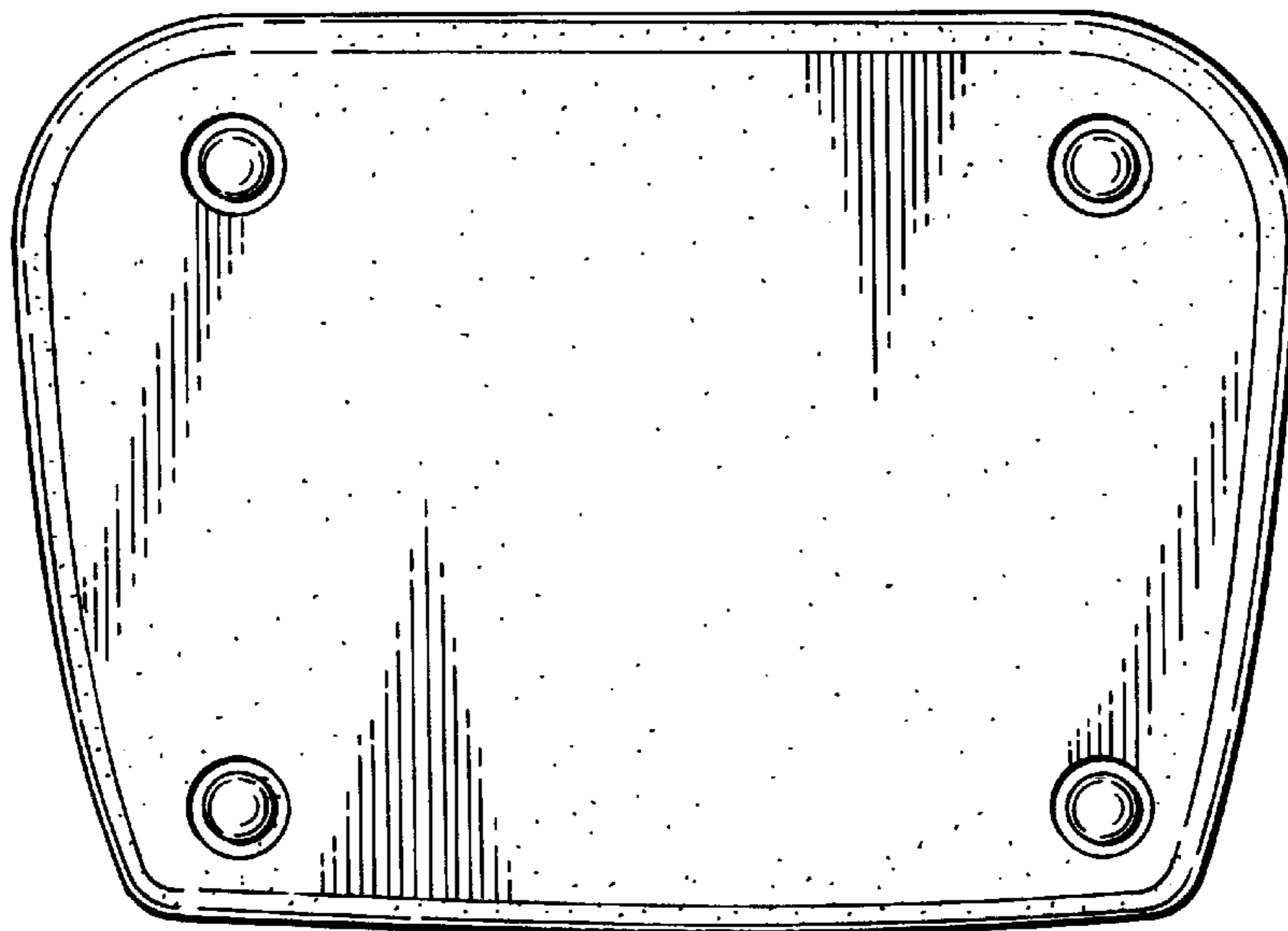


FIG-7