



US00D404356S

# United States Patent [19]

Higgins et al.

[11] Patent Number: Des. 404,356

[45] Date of Patent: \*\*\*Jan. 19, 1999

[54] BATTERY

[75] Inventors: **Charles T. Higgins**, Richmond, Va.;  
**Shozo Minagawa**, Tokyo, Japan

[73] Assignee: **Philip Morris Incorporated**, New York, N.Y.

[\*] Notice: The term of this patent shall not extend beyond the expiration date of Pat. No. D. 399,484.

[\*\*] Term: **14 Years**

[21] Appl. No.: **70,147**

[22] Filed: **May 1, 1997**

[51] LOC (6) Cl. .... **13-02**

[52] U.S. Cl. .... **D13/103**

[58] Field of Search ..... D13/103; 429/96-100,  
429/163, 176

[56] **References Cited**

**U.S. PATENT DOCUMENTS**

- D. 295,511 5/1988 Scheid et al. .... D13/103
- D. 299,226 1/1989 Toth et al. .
- D. 323,809 2/1992 Ross, Jr. .
- D. 334,169 3/1993 Antonczak ..... D13/103
- D. 346,878 5/1994 Gee et al. .

- D. 347,490 5/1994 Gee et al. .
- D. 355,158 2/1995 Alexandres et al. .
- D. 367,256 2/1996 Tokunaga .
- D. 368,552 4/1996 Adams et al. .
- D. 375,482 11/1996 Andrews .
- 5,388,594 2/1995 Counts et al. .
- 5,479,948 1/1996 Counts et al. .
- 5,505,214 4/1996 Collins et al. .
- 5,530,225 6/1996 Hajaligol .
- 5,564,442 10/1996 MacDonald et al. .
- 5,591,368 1/1997 Fleischhauer et al. .

*Primary Examiner*—Joel Sincavage  
*Attorney, Agent, or Firm*—Burns, Doane, Swecker & Mathis, L.L.P.

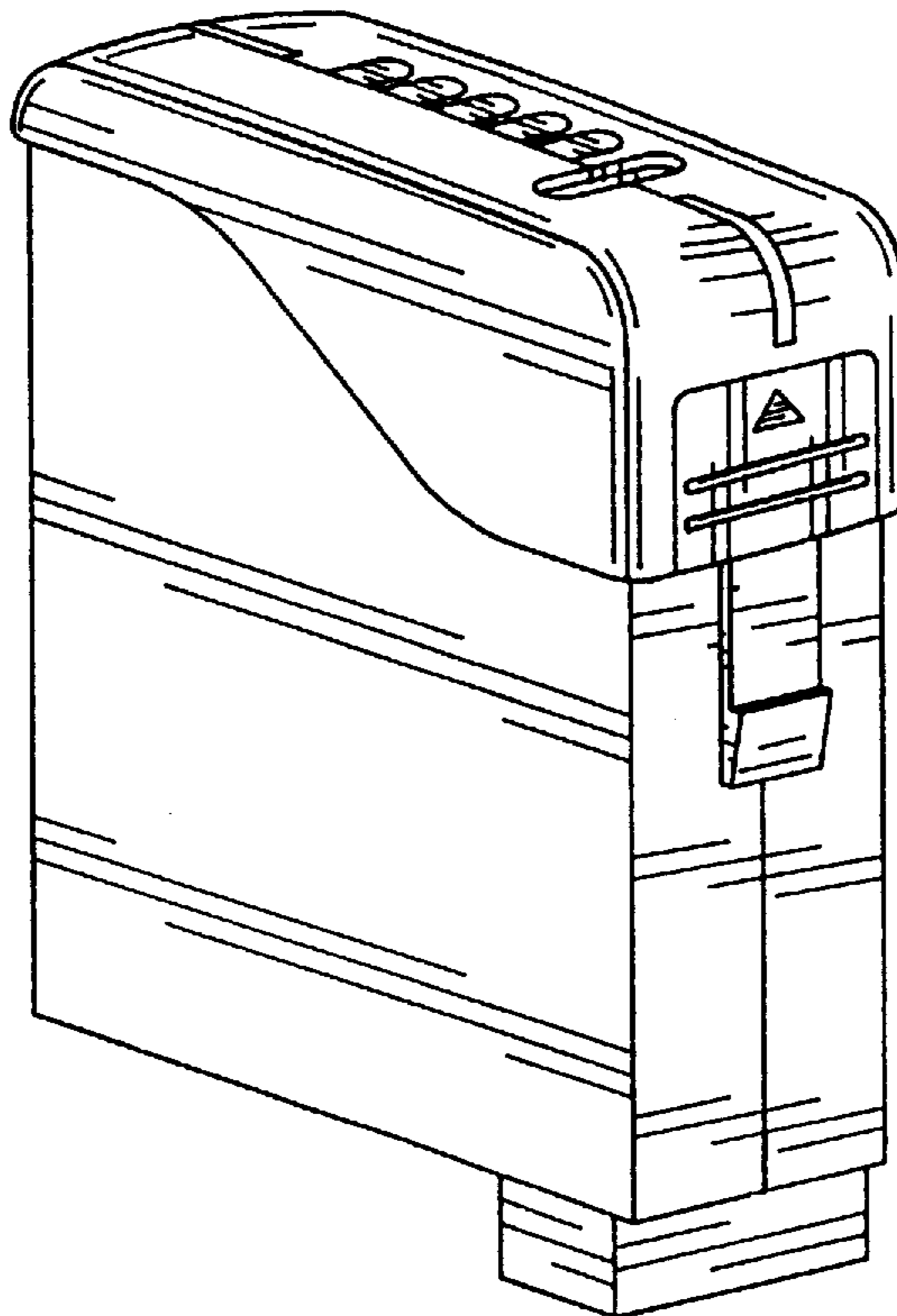
[57] **CLAIM**

We claim the ornamental design for the battery, as shown and described.

**DESCRIPTION**

FIG. 1 is a front elevational view of the battery incorporating our new design;  
FIG. 2 is a rear elevational view thereof;  
FIG. 3 is a left side elevational view thereof;  
FIG. 4 is a right side elevational view thereof;  
FIG. 5 is a bottom plan view thereof;  
FIG. 6 is a top plan view thereof; and,  
FIG. 7 is a left, front, top perspective view thereof.

**1 Claim, 2 Drawing Sheets**



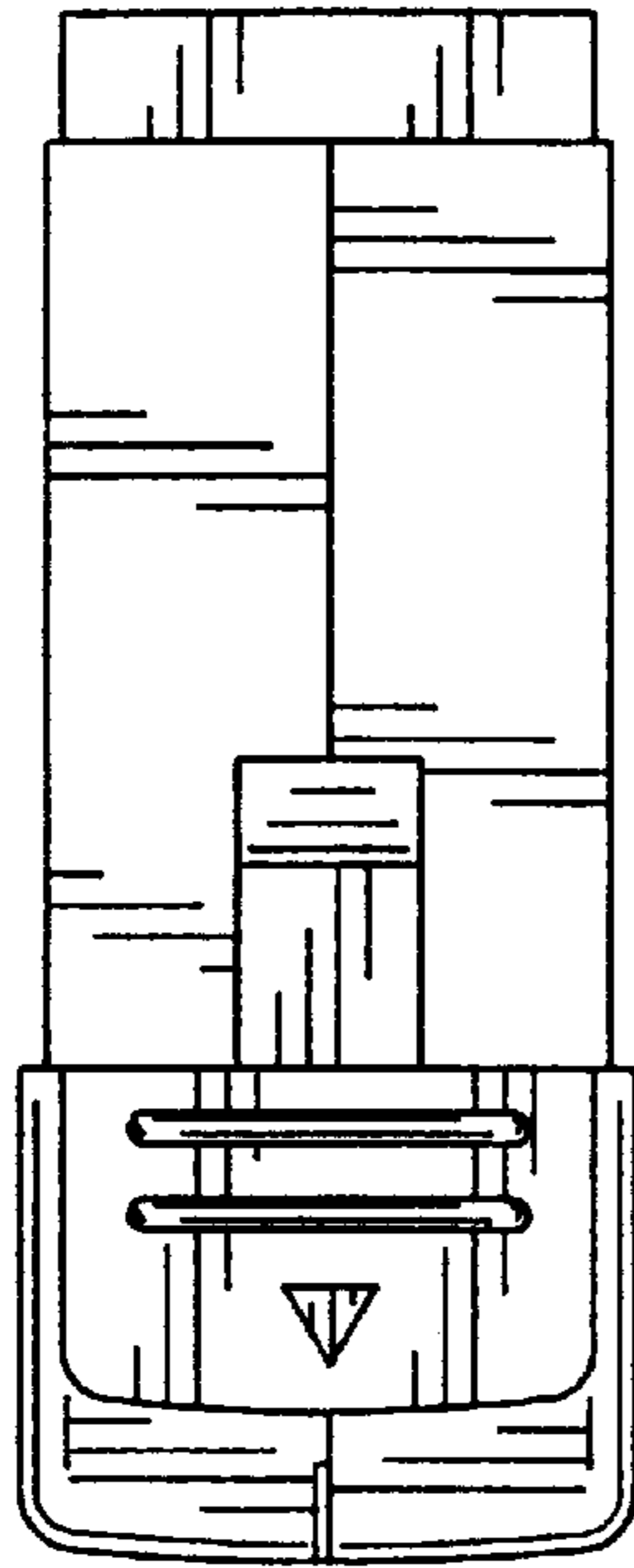


FIG. 1

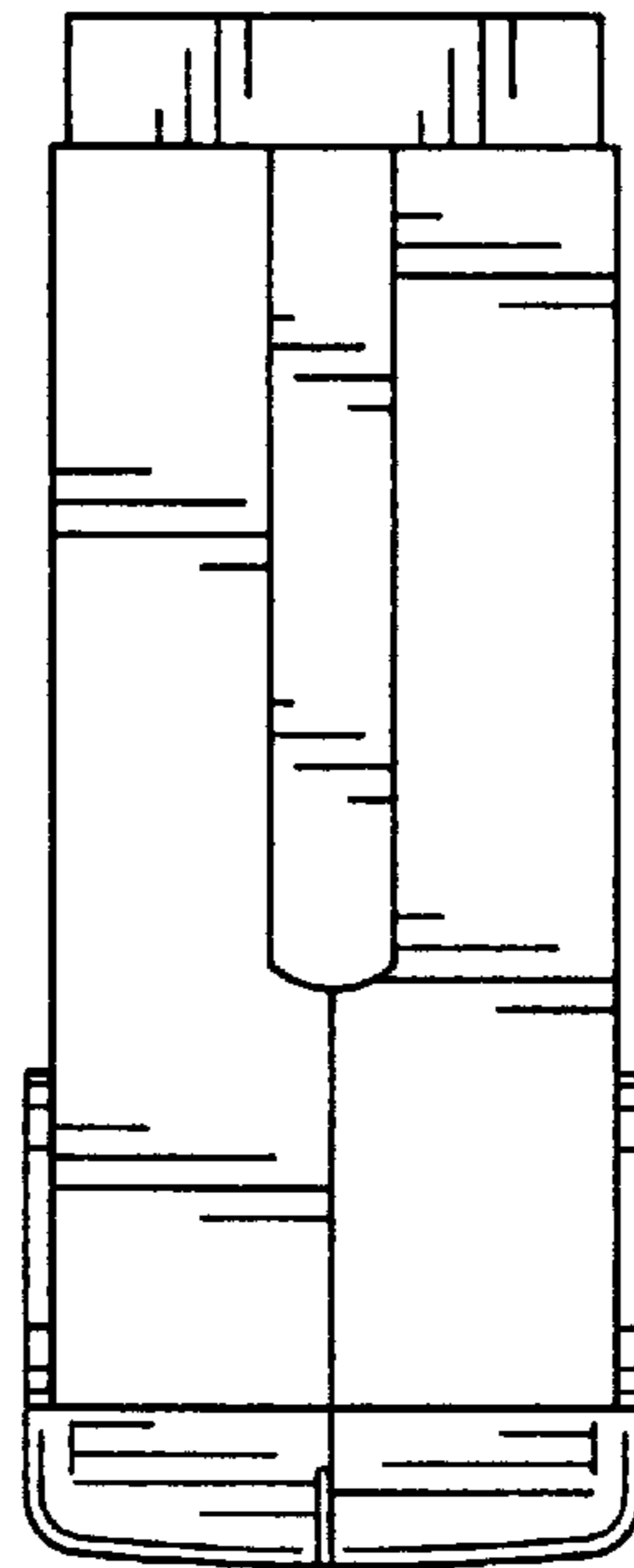


FIG. 2

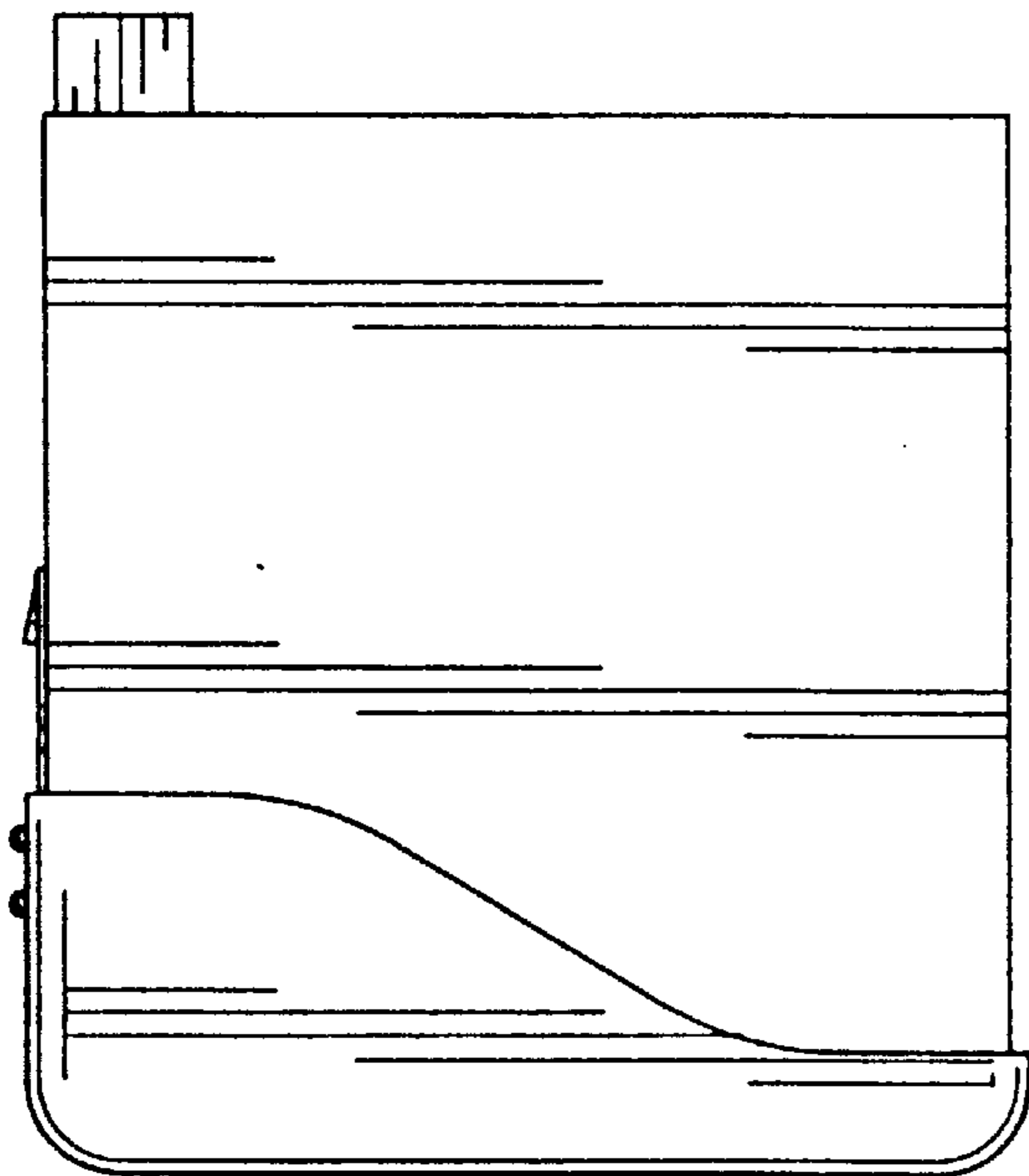


FIG. 3

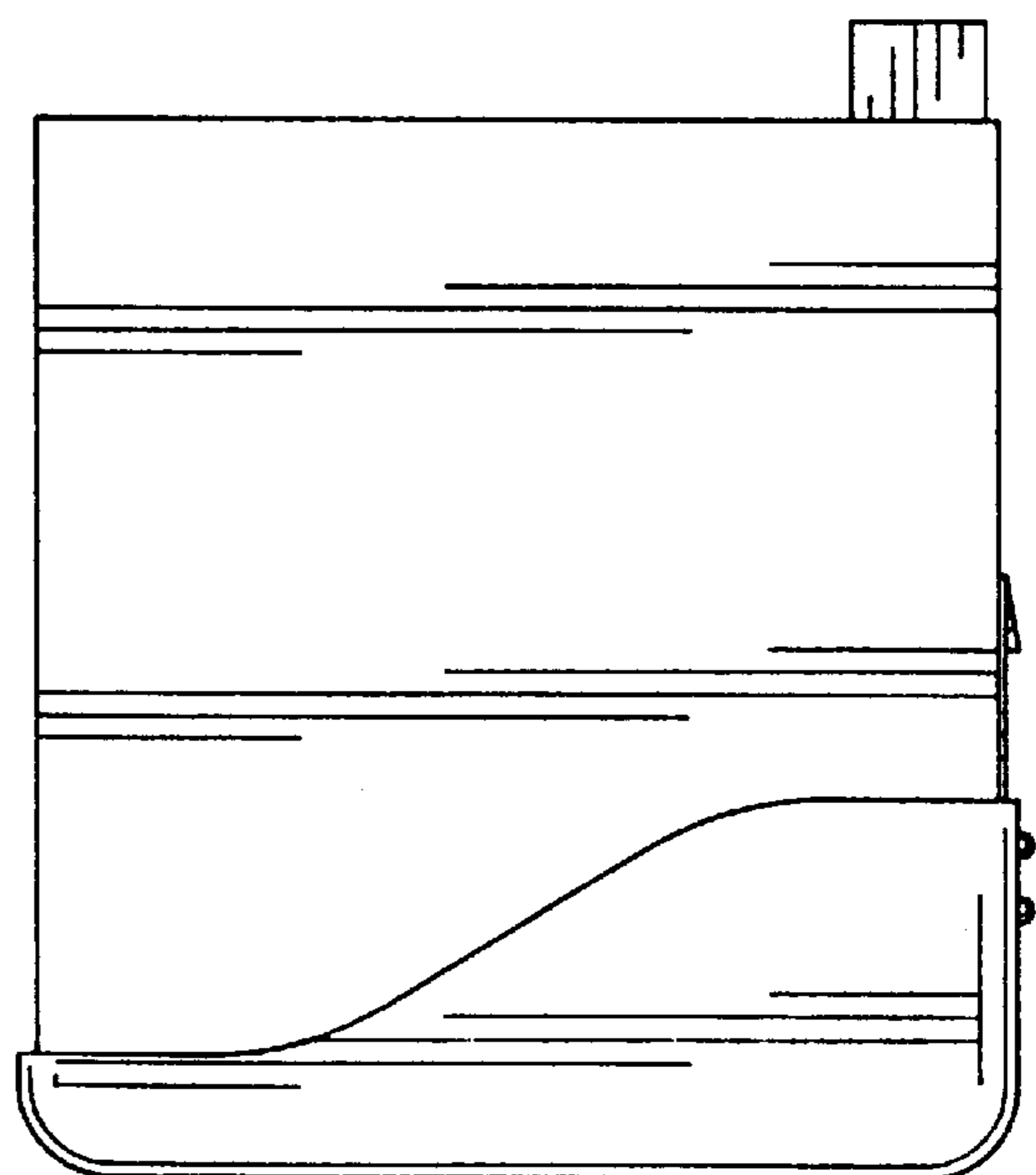


FIG. 4

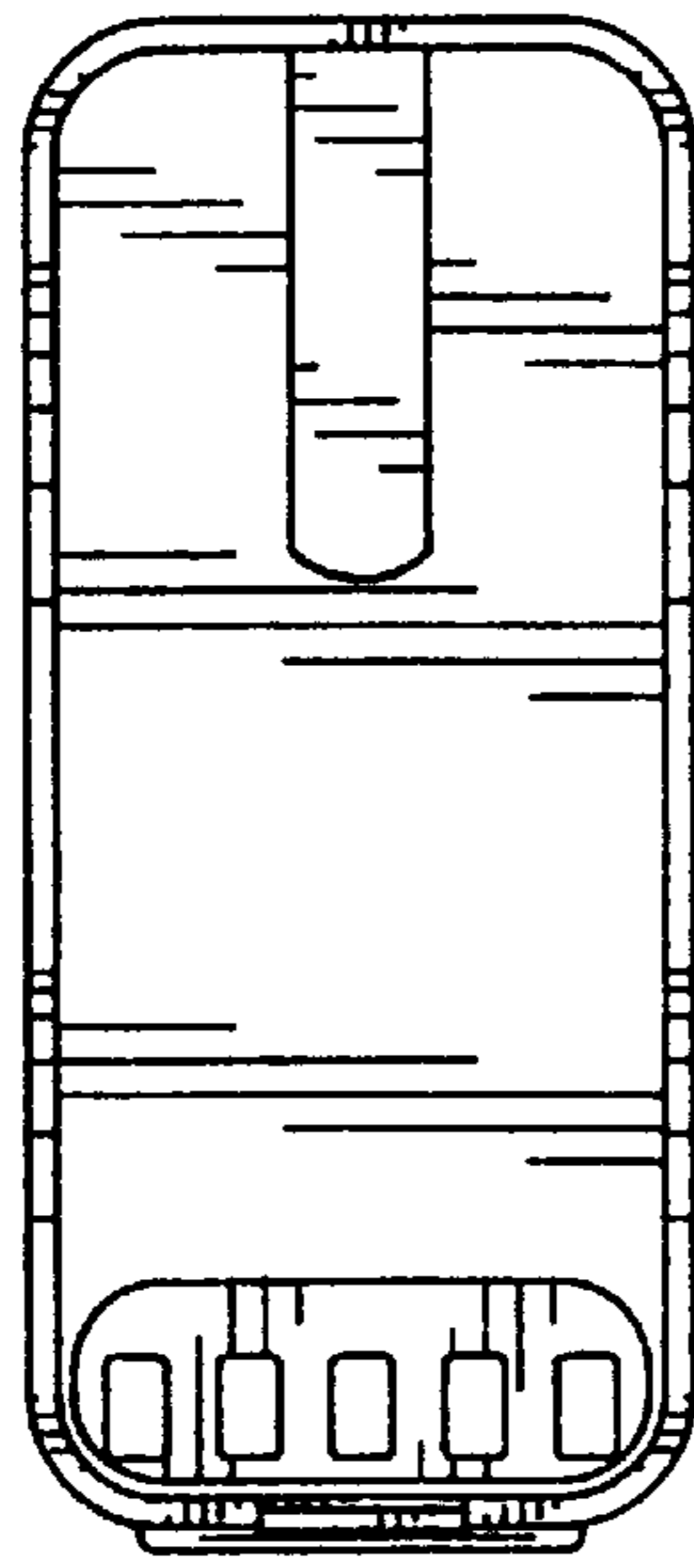


FIG. 5

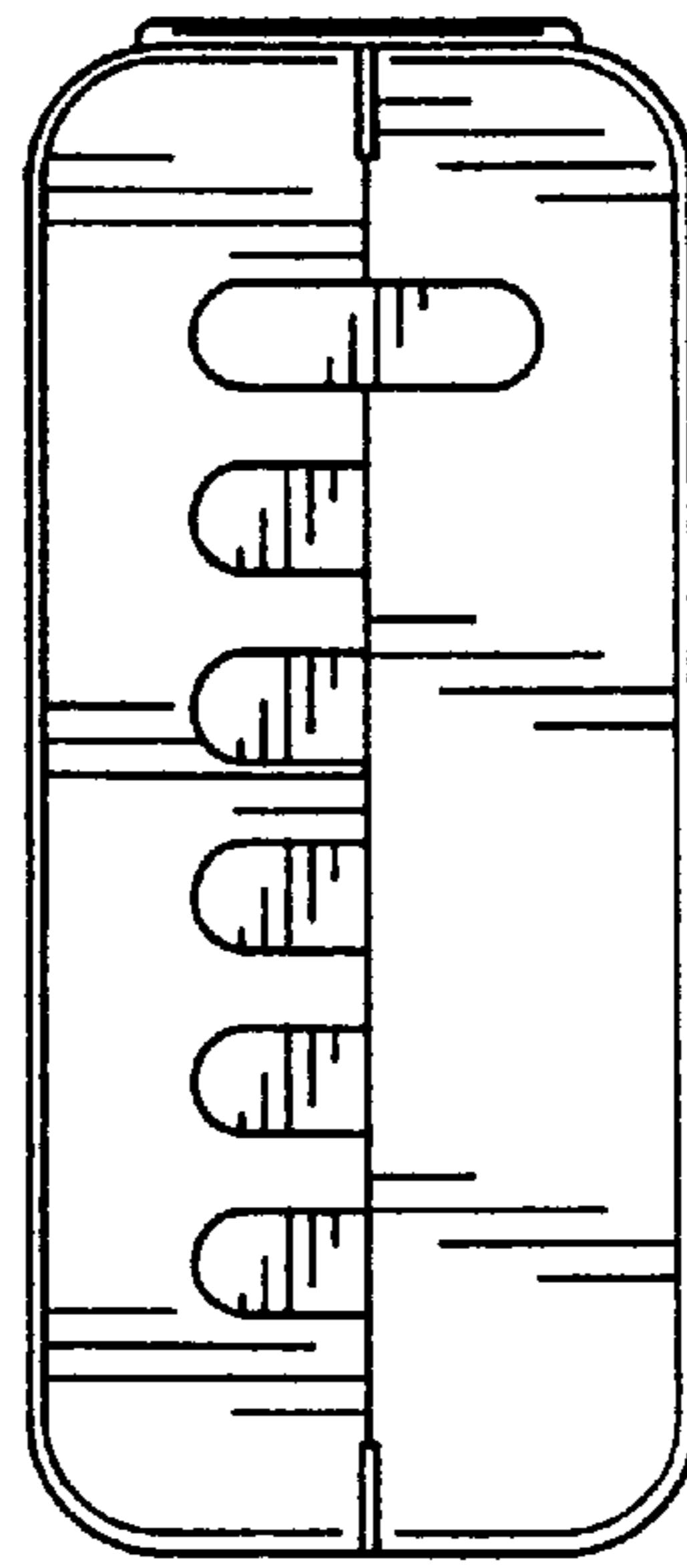


FIG. 6

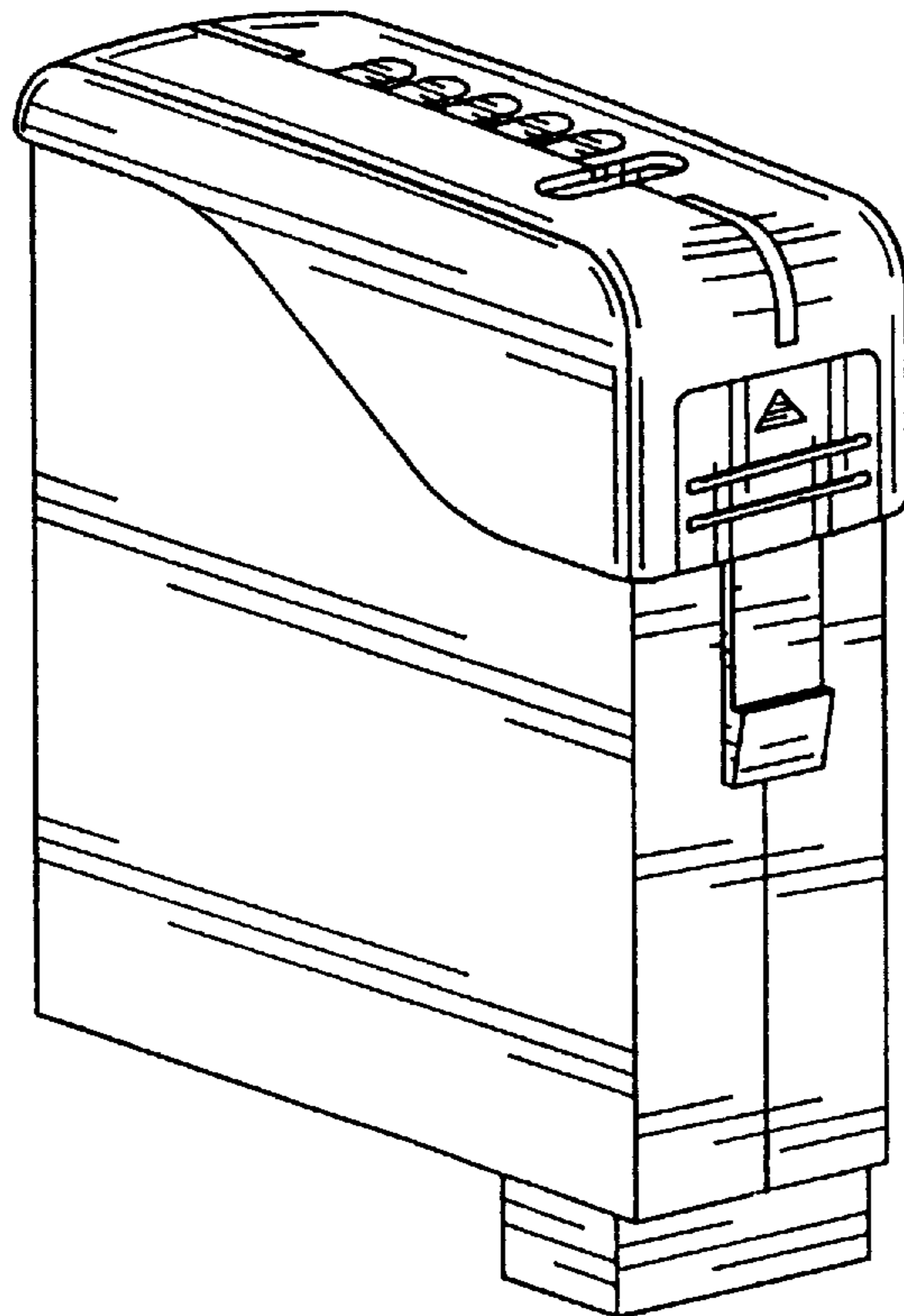


FIG. 7