



US00D404355S

United States Patent [19]

Denny et al.

[11] **Patent Number: Des. 404,355**

[45] **Date of Patent: **Jan. 19, 1999**

[54] **INTEGRATED SIDE RAIL AND TIE LOOPS**

[75] Inventors: **Mark Denny**, Davisburg; **Craig A. Stapleton**, Clarkston, both of Mich.

[73] Assignee: **Advanced Accessory Systems LLC**, Sterling Heights, Mich.

[**] Term: **14 Years**

[21] Appl. No.: **70,845**

[22] Filed: **May 16, 1997**

[51] **LOC (6) Cl.** **12-16**

[52] **U.S. Cl.** **D12/414**

[58] **Field of Search** D12/406, 412, D12/414; 224/42.1, 42.2, 322-324, 309, 316-317, 403; 296/3, 10, 36, 37.6-37.7, 43, 123; 410/104-105, 107, 111

[56] **References Cited**

U.S. PATENT DOCUMENTS

- D. 272,817 2/1984 Mareydt D12/414
- D. 295,619 5/1988 Reeve D12/414
- D. 299,017 12/1988 Renn D12/414
- D. 312,605 12/1990 Stapleton et al. D12/414

- D. 320,181 9/1991 Sparham et al. D12/414
- D. 333,808 3/1993 Cucheran D12/414
- D. 334,373 3/1993 Cucheran D12/414
- D. 381,311 7/1997 Prasatek et al. D12/414
- D. 381,312 7/1997 Prasatek et al. D12/414
- D. 382,533 8/1997 Okland D12/414

Primary Examiner—Jeffrey Asch
Assistant Examiner—Stacia Sinuik
Attorney, Agent, or Firm—Rader, Fishman & Grauer PLLC

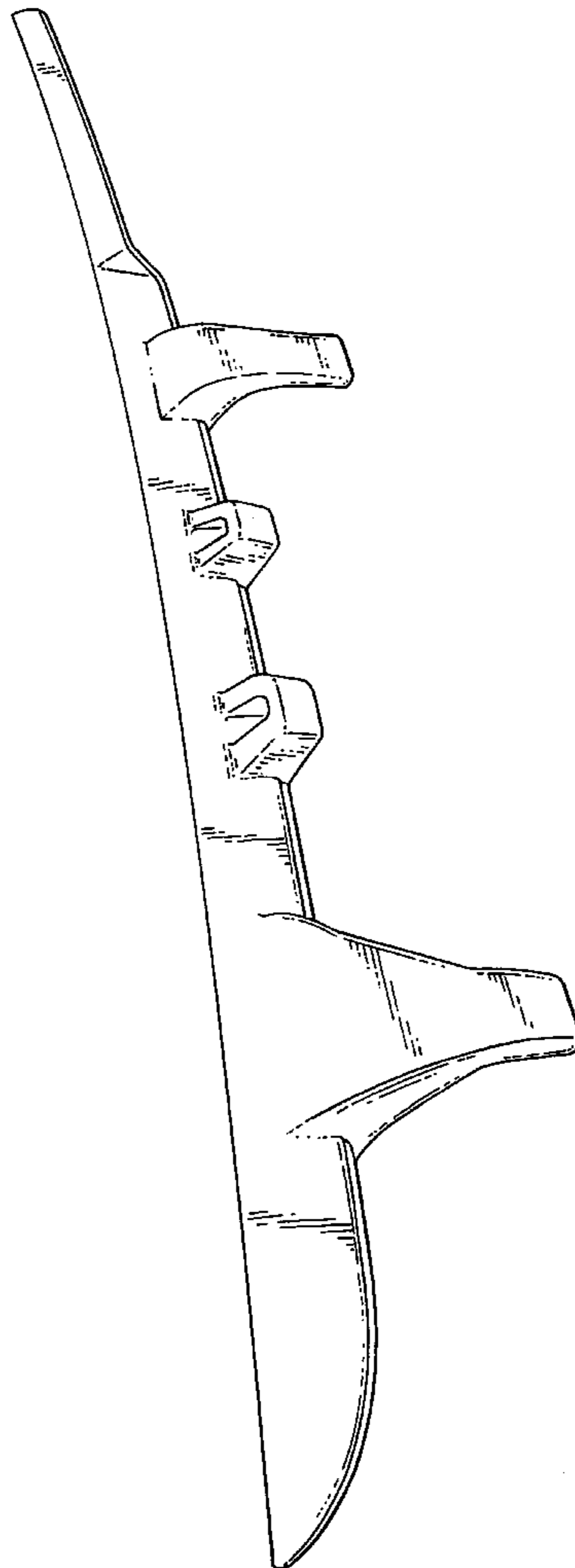
[57] **CLAIM**

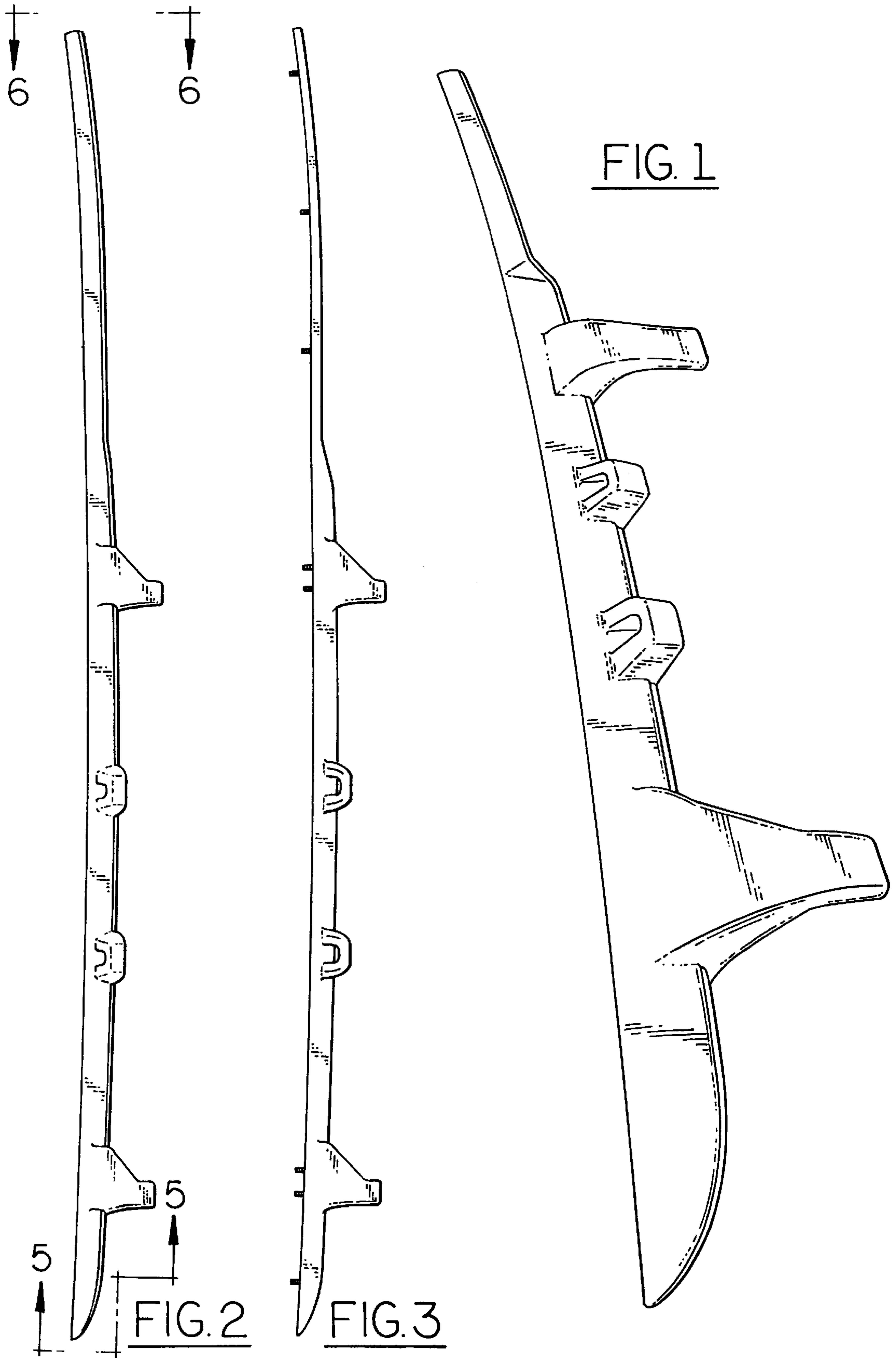
The ornamental design for integrated side rail and tie loops, as shown and described.

DESCRIPTION

FIG. 1 is a front, left perspective view of integrated side rail and tie loops, showing my new design;
FIG. 2 is a top view thereof;
FIG. 3 is a left side view thereof;
FIG. 4 is a right side view thereof;
FIG. 5 is an enlarged front elevational view taken along line 5—5 of FIG. 2; and,
FIG. 6 is an enlarged rear elevational view taken along line 6—6 of FIG. 2.

1 Claim, 2 Drawing Sheets





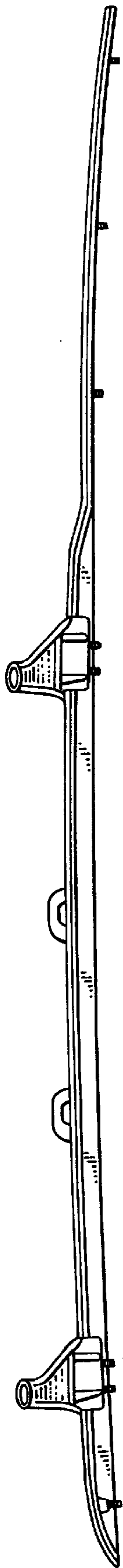


FIG. 4

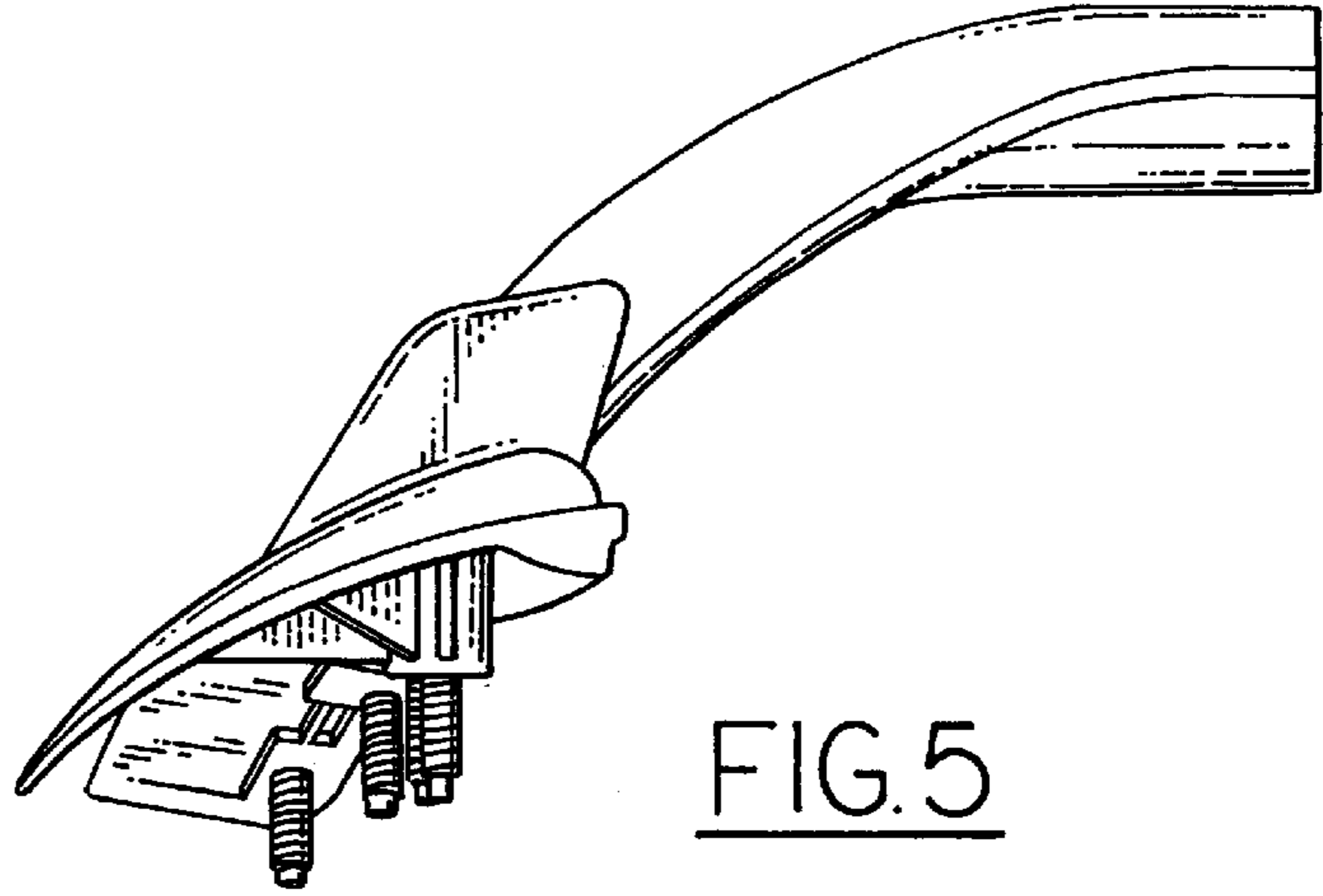


FIG. 5

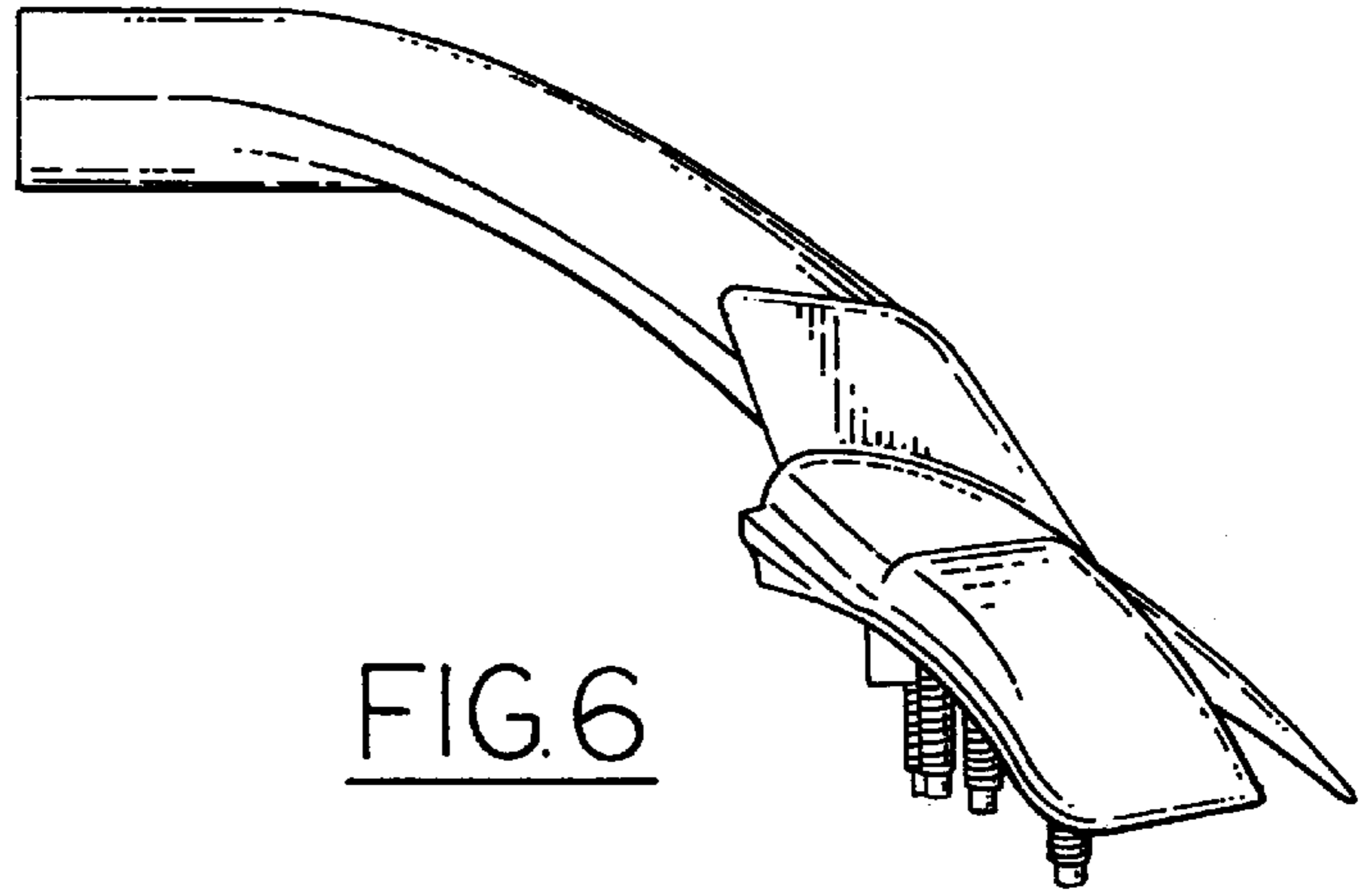


FIG. 6