



US00D404354S

# United States Patent [19]

Witek et al.

[11] Patent Number: Des. 404,354

[45] Date of Patent: \*\*Jan. 19, 1999

## [54] WINDSHIELD WIPER BLADE CONNECTOR

[75] Inventors: **James Patrick Witek**, Michigan City; **Richard Allen Herring**, Granger; **Alan Jeffrey Stahlhut**, Valparaiso; **William Arthur Powell**, Winamac, all of Ind.

[73] Assignee: **Cooper Industries, Inc.**, Houston, Tex.

[\*\*] Term: **14 Years**

[21] Appl. No.: **62,757**

[22] Filed: **Nov. 22, 1996**

### Related U.S. Application Data

[63] Continuation-in-part of Ser. No. 746,270, Nov. 8, 1996.

[51] **LOC (6) Cl.** ..... **12-06**

[52] **U.S. Cl.** ..... **D12/220**

[58] **Field of Search** ..... D12/219-220;  
15/250.05-250.07, 250.31-250.33, 250.351,  
250.361, 250.38, 250.4-250.41, 250.42

### [56] References Cited

#### U.S. PATENT DOCUMENTS

D. 353,358 12/1994 Lee ..... D12/220  
D. 353,359 12/1994 Lee ..... D12/220

(List continued on next page.)

#### FOREIGN PATENT DOCUMENTS

329515 8/1989 European Pat. Off. .... 15/250.32  
2377302 9/1978 France ..... 15/250.32  
3222891 12/1983 Germany ..... 15/250.32  
611563 6/1979 Switzerland ..... 15/250.32

#### OTHER PUBLICATIONS

“Wiper Blade—Fits Most Import & Domestic Cars and Light Trucks,” Saver, Stk No. 10-182 (xerox copy of product), purchased Jul., 1997 Drawings of connector.

Cooper Industries, Anco Division, “Heavy Duty Premium Wiper Blades—Removal”, No. G86024 (no date).

Cooper Industries, Anco Division, “Removal and Installation Instructions—Anco Medium and Heavy Duty Windshield Arms” (no date).

Cooper Industries, Anco Division, “Anco Instructions—Removal—25-16-25-24, 31-17, 31-19, 90-16-90-22A,” No. 85360A (no date).

Cooper Industries, Anco Division, “Anco Instructions—Installation—20-11, 33-18,” No. 85374 (1995).

Cooper Industries, Anco Division, “Anco Instructions—Removal—22-28, 25-12-25-15, 31-12,” No. 85357A (no date).

Cooper Industries, Anco Division, “Adaptor Kit #2—Installation—TY-16313,” No. G86027 (no date).

Cooper Industries, Anco Division, “Heavy Duty Premium Wiper Blades—Installation,” No. G86034 (no date).

Cooper Industries, Anco Division, “Instructions—Removal—Installation—N-16R-N-21R” (1994).

(List continued on next page.)

*Primary Examiner*—James Gandy

*Assistant Examiner*—Stacia Sinuik

*Attorney, Agent, or Firm*—Fish & Richardson, PC

### [57] CLAIM

The ornamental design for a windshield wiper blade connector, as shown and described.

### DESCRIPTION

FIG. 1 is a perspective view of a windshield wiper blade connector showing a first embodiment of our new design; FIG. 2 is a side elevation view thereof;

FIG. 3 is a side elevation view thereof, opposite that shown in FIG. 2;

FIG. 4 is a front elevation view thereof;

FIG. 5 is a rear elevation view thereof;

FIG. 6 is a top plan view thereof;

FIG. 7 is a bottom plan view thereof;

FIG. 8 is a perspective view of a windshield wiper blade connector showing a second embodiment of our new design;

FIG. 9 is a side elevation view thereof;

FIG. 10 is a side elevation view thereof, opposite that shown in FIG. 9;

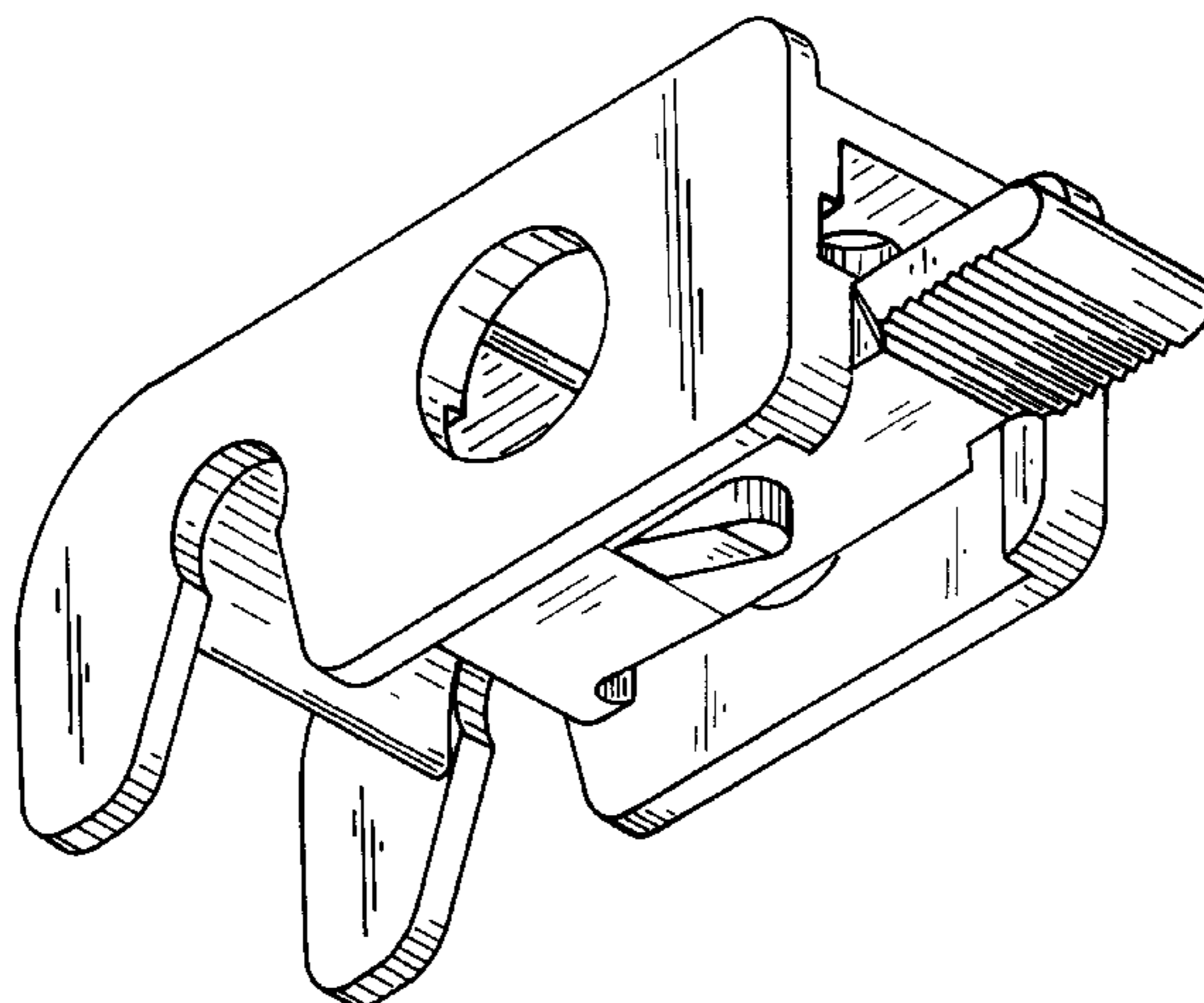
FIG. 11 is a front elevation view thereof;

FIG. 12 is a rear elevation view thereof;

FIG. 13 is a top plan view thereof; and,

FIG. 14 is a bottom plan view thereof.

1 Claim, 6 Drawing Sheets



## U.S. PATENT DOCUMENTS

D. 357,891	5/1995	Lee	.....	D12/220
D. 395,271	6/1998	Kim	.....	D12/220
3,408,680	11/1968	Heller	.....	15/250.42
3,641,614	2/1972	Newsome	.....	15/250.32
3,942,212	3/1976	Steger et al.	.....	15/250.42
4,023,232	5/1977	Smithers	.....	15/250.32
4,127,912	12/1978	Deibel et al.	.....	15/250.42
4,179,766	12/1979	Weiler et al.	.....	15/250.32
4,290,164	9/1981	van den Berg	.....	15/250.32
4,296,521	10/1981	Mower	.....	15/250.32
4,343,062	8/1982	van den Berg	.....	15/250.32
4,443,907	4/1984	Chamberlain	.....	15/250.32
4,578,839	4/1986	Nishikawa	.....	15/250.32
4,878,263	11/1989	Raymond	.....	15/250.32
4,949,422	8/1990	Bauer et al.	.....	15/250.32
5,070,573	12/1991	Journee et al.	.....	15/250.32
5,084,933	2/1992	Buechele	.....	15/250.32
5,136,748	8/1992	Naruke et al.	.....	15/250.32
5,168,597	12/1992	Schon et al.	.....	15/250.32
5,289,608	3/1994	Kim	.....	15/250.32
5,332,328	7/1994	Yang	.....	403/154
5,392,487	2/1995	Yang	.....	15/250.32
5,435,041	7/1995	Ho	.....	15/250.32
5,606,765	3/1997	Ding	.....	15/250.32
5,611,103	3/1997	Lee	.....	15/250.32
5,618,124	4/1997	Chen	.....	15/250.32 X
5,632,059	5/1997	Lee	.....	15/250.32

## OTHER PUBLICATIONS

Cooper Industries, Anco Division, "Anco Instructions—Removal—Pin In Arm—Hookslot Arm," No. G85441 (no date).

Cooper Industries, Anco Division, "Anco Instructions—Installation—25-16-24-24, 31-17, 31-19, 90-16-90-22A," No. 85360A (no date).

Cooper Industries, Anco Division, "Instructions—T Series—Removal—Installation," No. 86001 (1995).

Cooper Industries, Anco Division, "Instructions—U15R—U24R—Removal—Installation," No. G85370B (1995).

Cooper Industries, Anco Division, "Anco Instructions—29-16-29-24, 30-15-35-18—Removal," No. 85359 (no date).

Cooper Industries, Anco Division, "Installation—17" and 18" Blade, 20" Blade," No. 85320 (no date).

Cooper Industries, Anco Division, "Anco Instructions—N-22R & N-24R—Removal," No. 85372A (no date).

Cooper Industries, Anco Division, "Rainy Day Instructions—RDB16—RDB19—Removal," No. 85393 (no date).

Cooper Industries, Anco Division, "Rainy Day Instructions—Removal—Installation—Anco Advantage & TRICO, Tridon, Bosch II," No. 85363 (1994).

Cooper Industries, Anco Division, "Pantograph Arms— $\frac{1}{4}$ -28 Screw Shaft Arm— $\frac{1}{2}$  and  $\frac{5}{8}$  Inch Serrated Drum Shaft Arm—Universal Adjustable Wiper Arms," No. 94121 (Mar. 1992).

Cooper Industries, Anco Division, "Anco Instructions—Removal—20-11, 33-18," No. 85374 (no date).

Cooper Industries, Anco Division, "Anco Instructions—Installation—22-18, 25-12-25-15, 31-12," No. 85357A (1995).

Cooper Industries, Anco Division, "Anco Instructions—Removal—22-18, 22-20, 25-12-25-15, 31-12," No. 85357B (no date).

Cooper Industries, Anco Division, "Anco Instructions—Installation—22-18, 22-20, 25-12-25-15, 31-12," No. 85357B (no date).

Cooper Industries, Anco Division, "Anco Instructions—Installation—29-16-29-24, 30-15-30-18," No. 85359 (no date).

Cooper Industries, Anco Division, "Instructions—N Series—Removal—Installation," No. 86000 (1995).

Cooper Industries, Anco Division, "Instructions—11-13-11-22—Removal—Installation," No. 85365A (1994).

Cooper Industries, Anco Division, "Installation—Audi, Saturn, Bosch, N-22R" (1994).

Cooper Industries, Anco Division, "Rainy Day Instructions—Installation—RDB16—RDB19," No. 85393 (1994).

"Installation," No. V-5912-44 (no date).

Cooper Industries, Anco Division, "Heavy Duty Premium Wiper Blades—Installation—25-17, 31-17, 31-19, 90-17, 90-19," No. G86024 (no date).

Instructions for blade collar, straight arm, hook slot (7 or 9 mm), straight arm with screws, female arm (no pin), and male arm with  $\frac{1}{4}$ " pin (no date).

Instructions for male arm with  $\frac{3}{16}$ " diameter pin, straight arm, hook slot (7 or 9mm), straight arm with screws, female arm (no pin), and male arm with  $\frac{1}{4}$ " pin (no date).

NAPA Windshield Products, instructions for removal and installation of wiper blades, No. 5674-6 (1993) (U.S. Patent 4,127,912).

Instructions for installation of small side pin attachment, large side pin attachment and hook attachment to World Class™ wiper blades (no date).

Tridon, instruction sheet regarding U.S. Patent Nos. 3,942, 212 and 3,408,680 (no date).

Tridon, instructions for All Season™ 15"-18"/380-460mm and 17"/430 mm wiper blades (no date).

Instructions for Aerofoil wiper blades, #3083024 (no date).

NAPA Windshield Products, removal and installation instructions for 16" wiper blades, No. 5673-6 (Mar. 1993) (U.S. Patent 4,127,912).

Instructions for 21"/540 mm-24"/610mm wiper blades (no date).

Lifetime Automotive Products, Tripledge™ Lifetime Wipers removal and installation instructions for hook arm, side saddle arm, pin arm and bayonet arm wiper blades (no date).

Removal and installation instructions for wiper blades, No. V-5912-27 (Nov. 1992).

Removal instructions for wiper blades, No. V-6000-5 (no date).

Removal instructions for wiper blades, No. V-5912-27 (no date).

Lifetime Automotive Products, Tripledge™ All Season Premium Silicone Wipers removal and installation instructions for side saddle arm, bayonet arm, pin arm and hook arm wiper blades (no date).

Instructions for installation of wiper blade onto wiper arm, No. V-6000-4 (no date).

Robert Bosch GmbH, instructions for installation of wiper blades (no date).

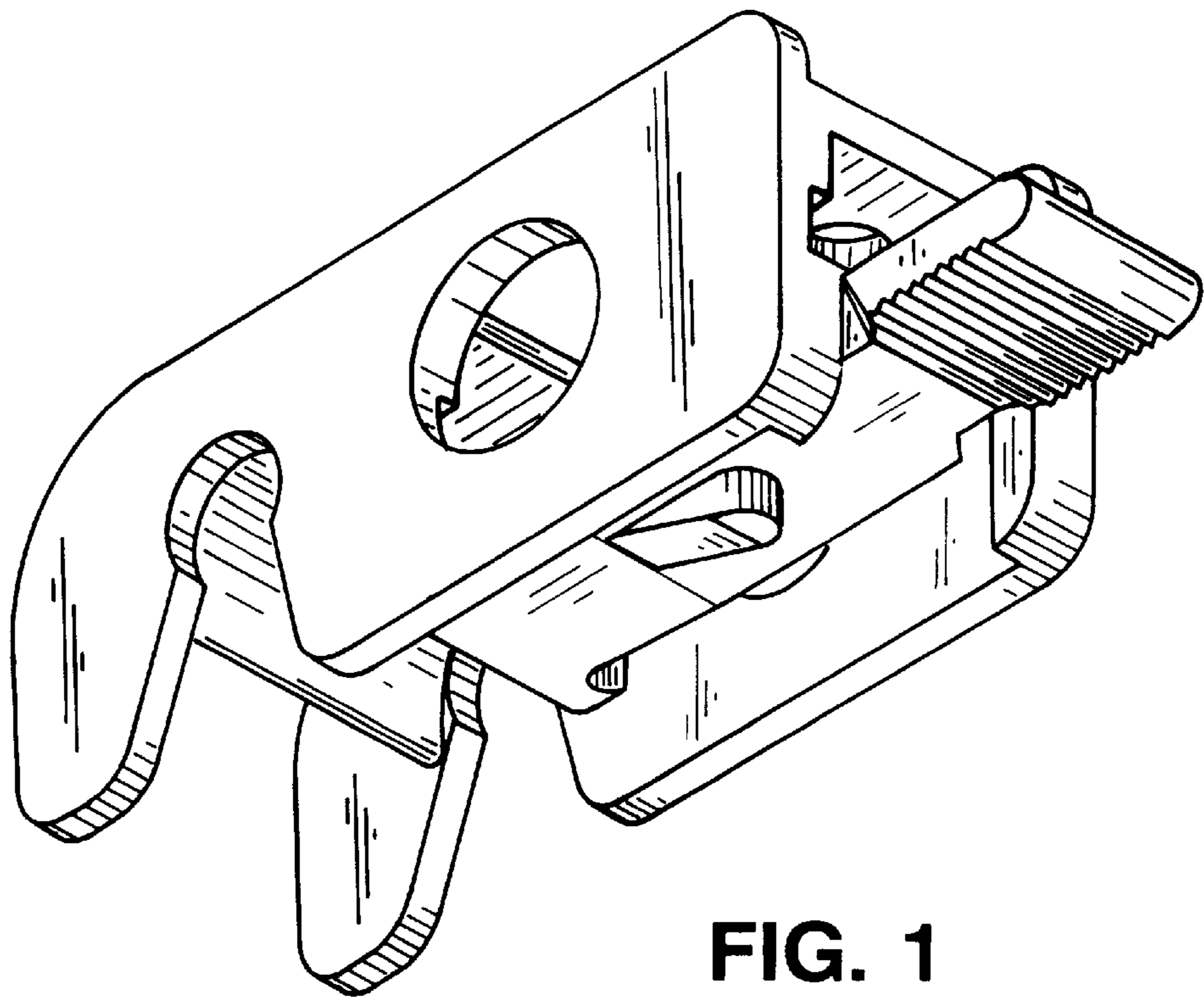


FIG. 1

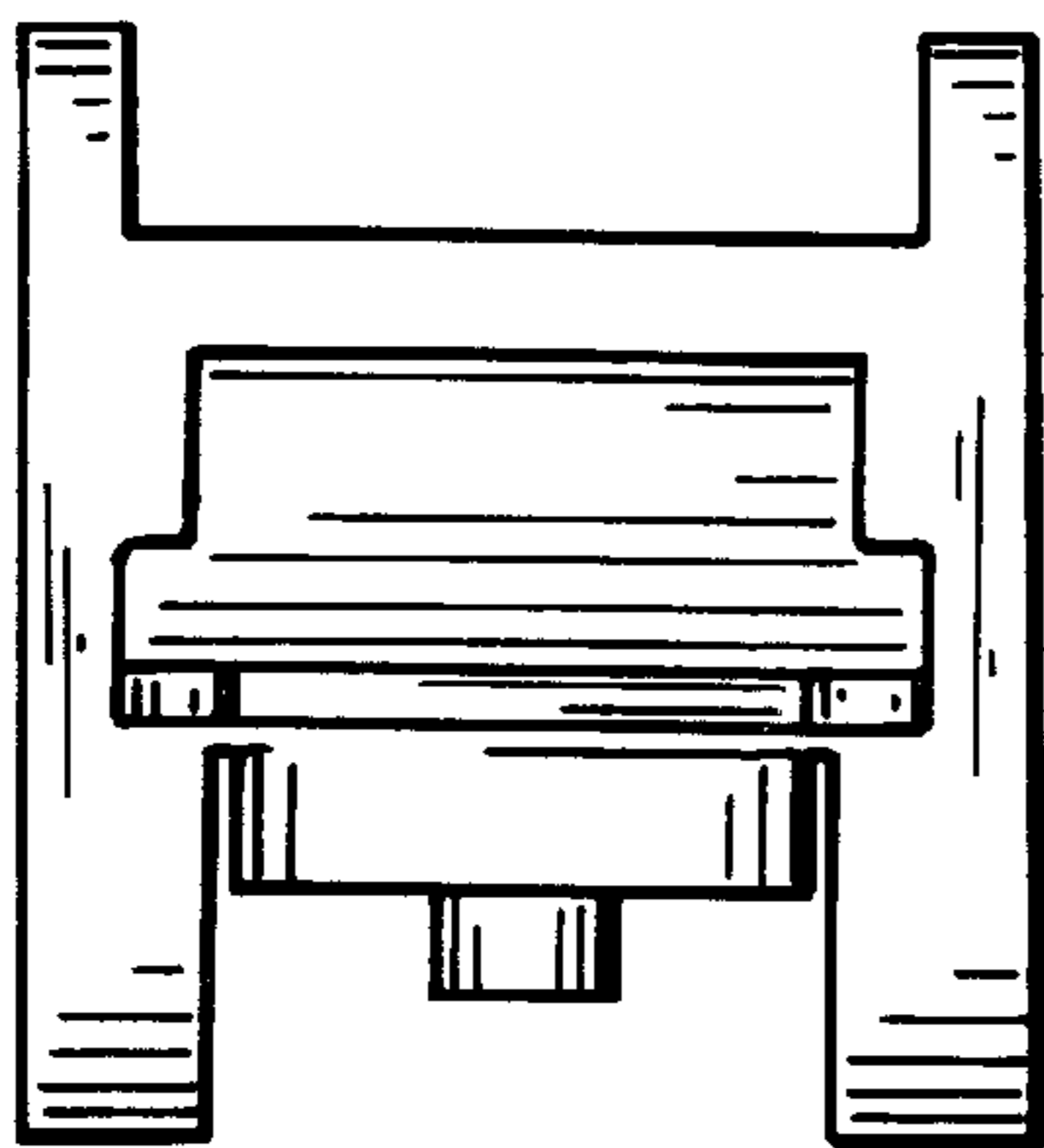


FIG. 4

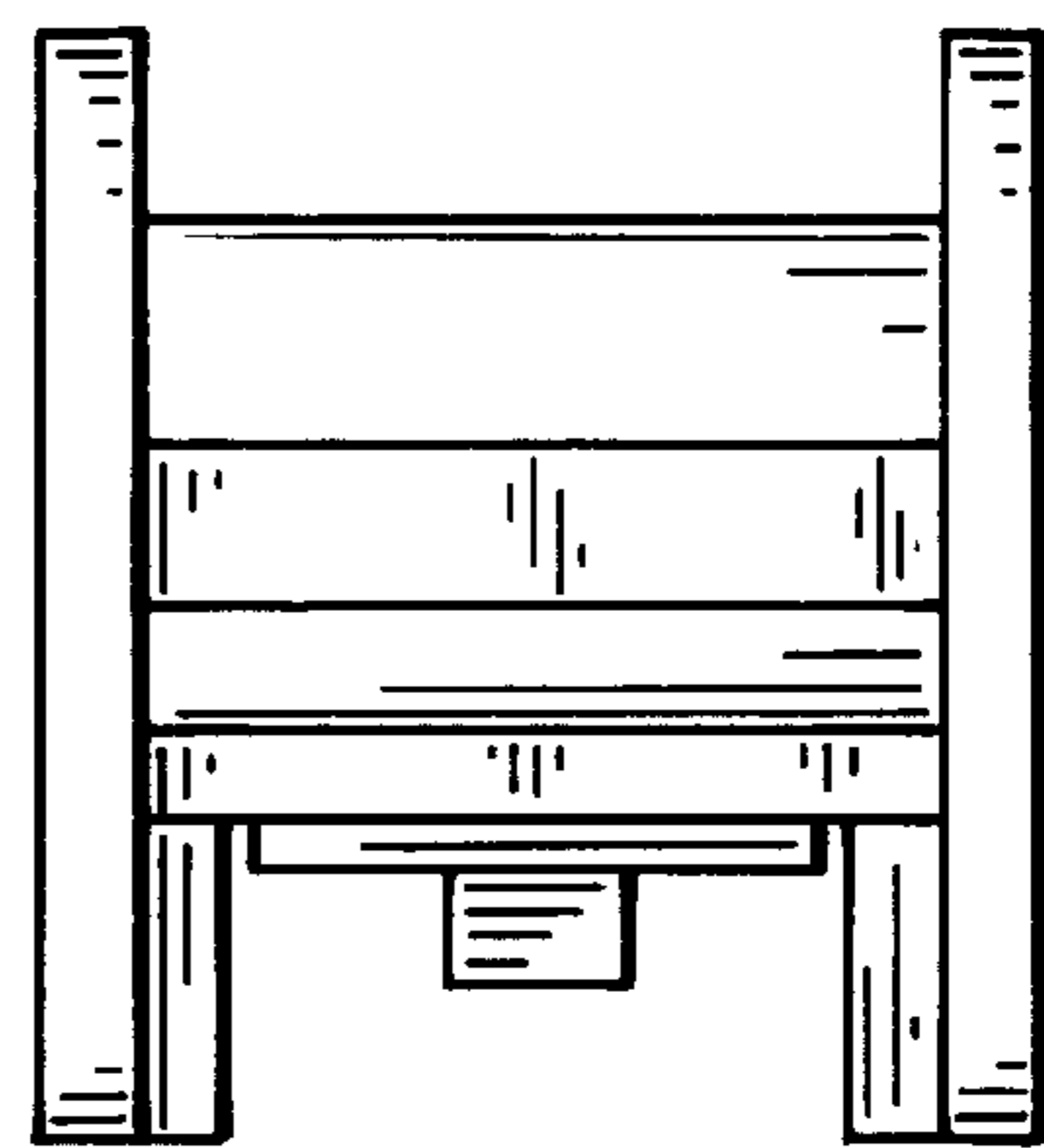


FIG. 5

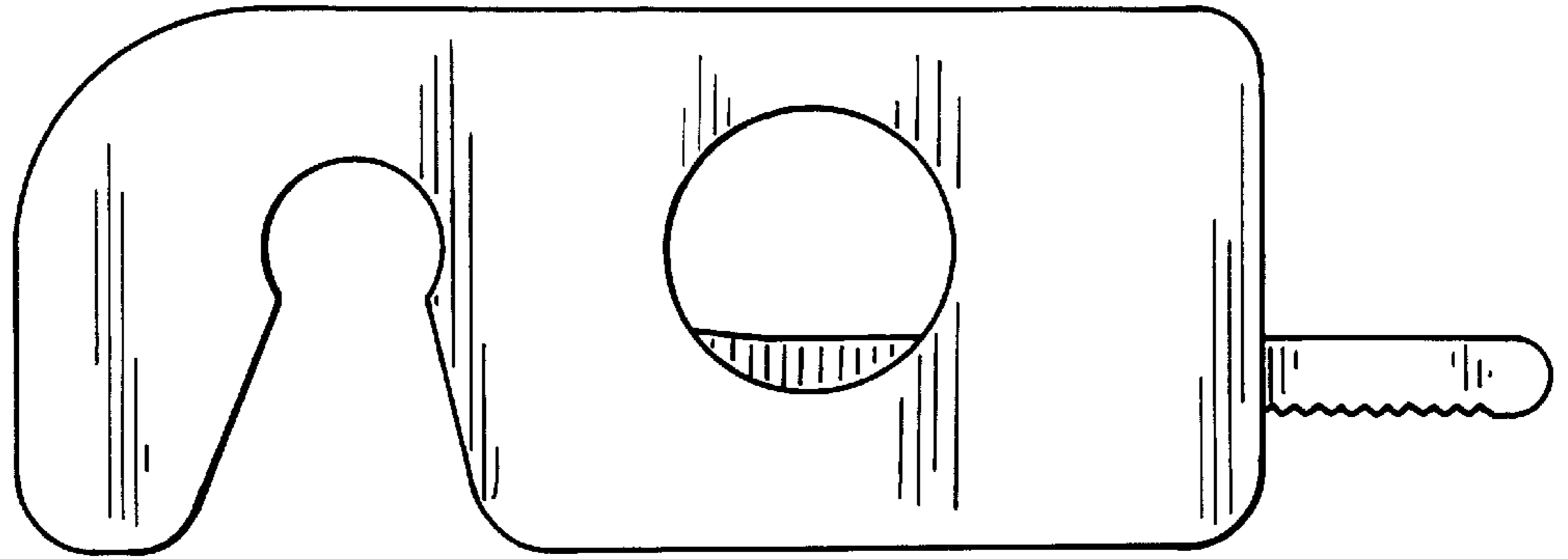


FIG. 2

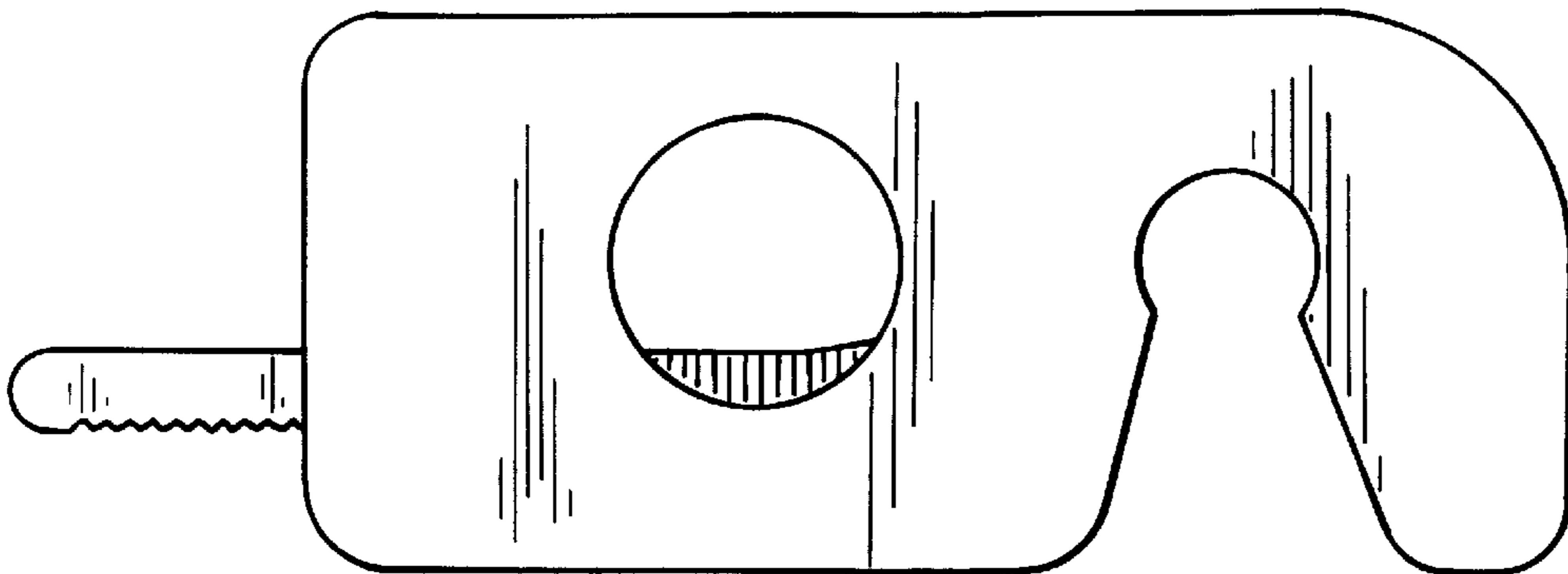


FIG. 3

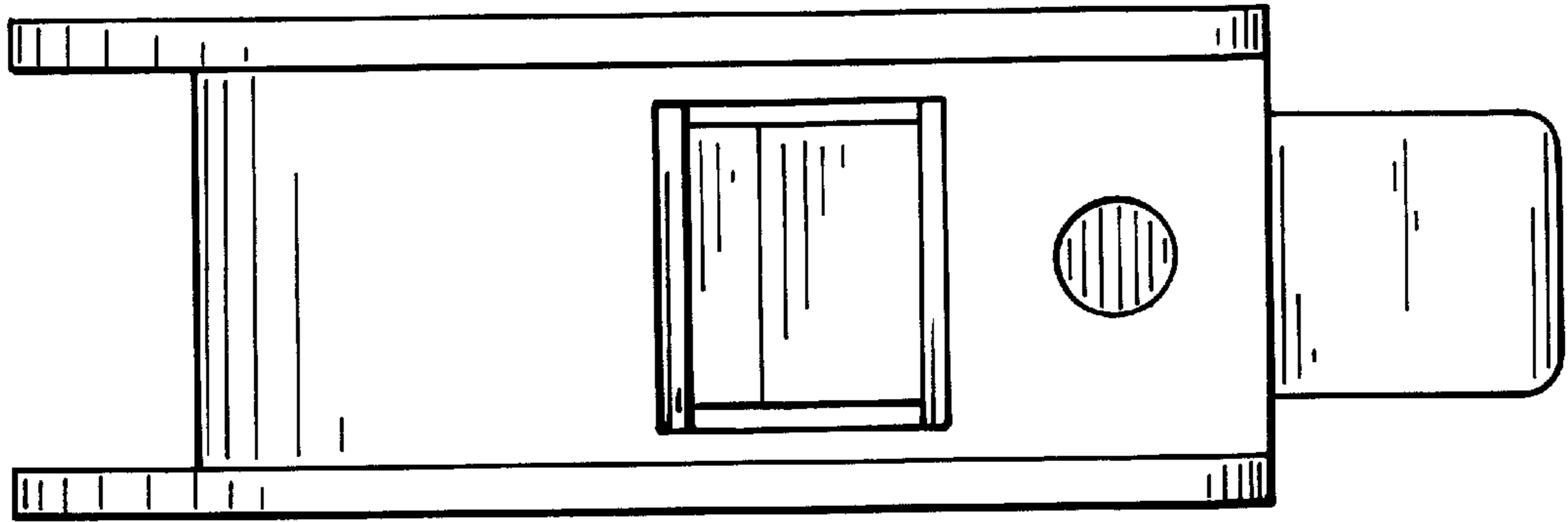


FIG. 6

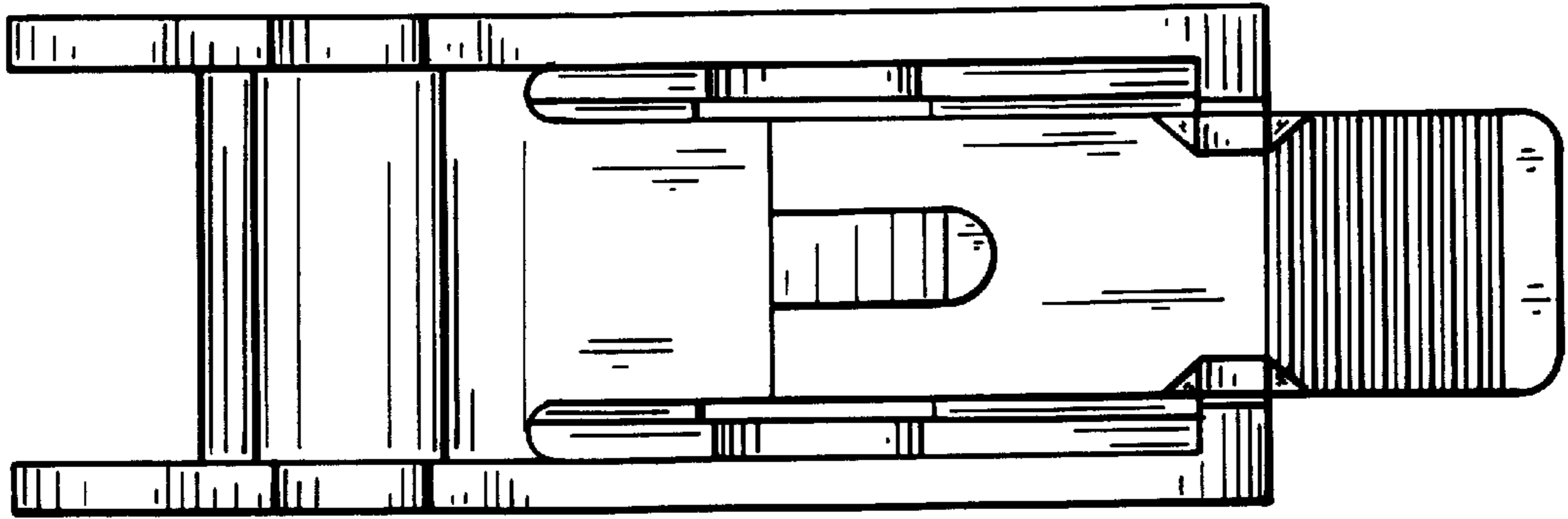
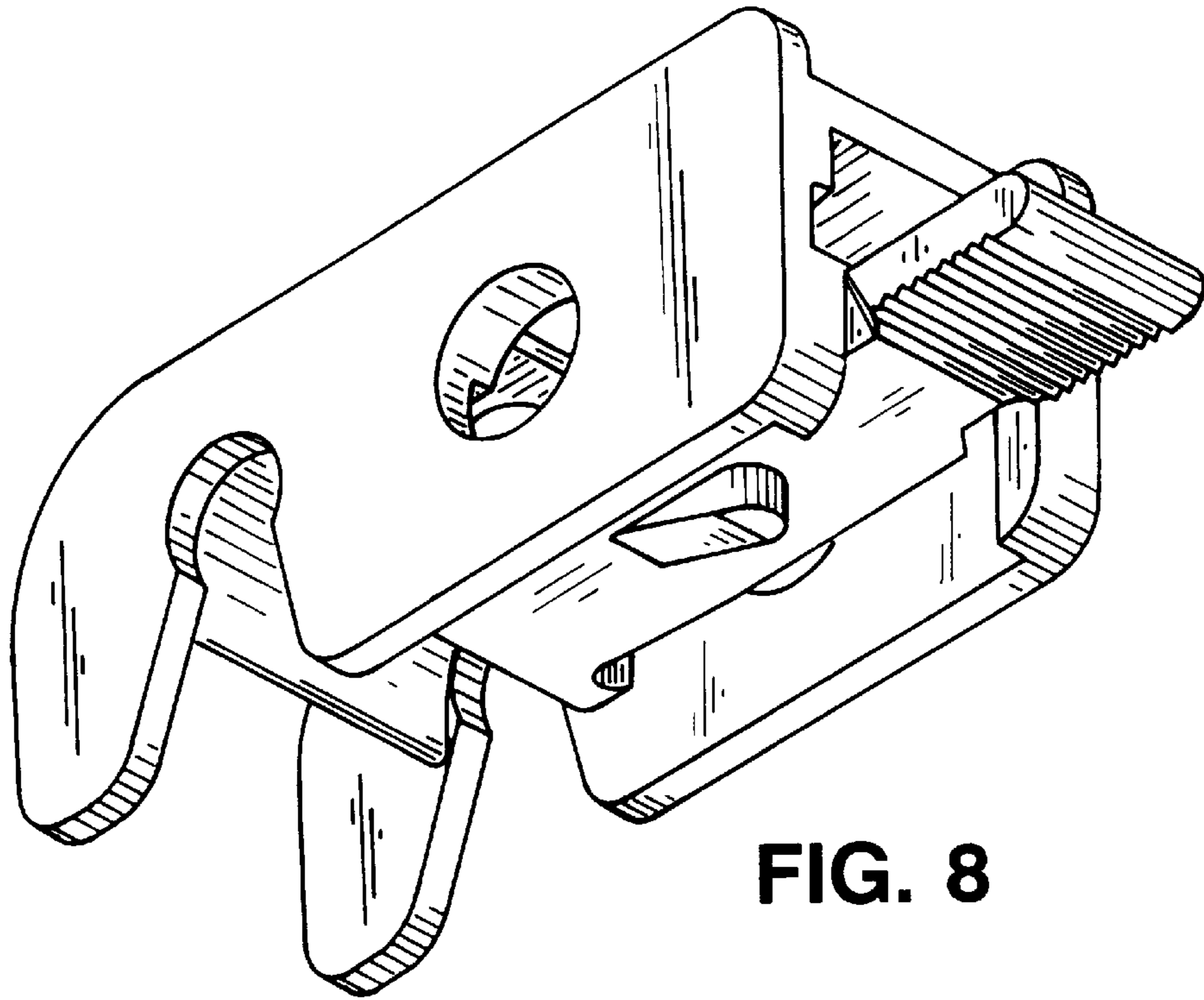
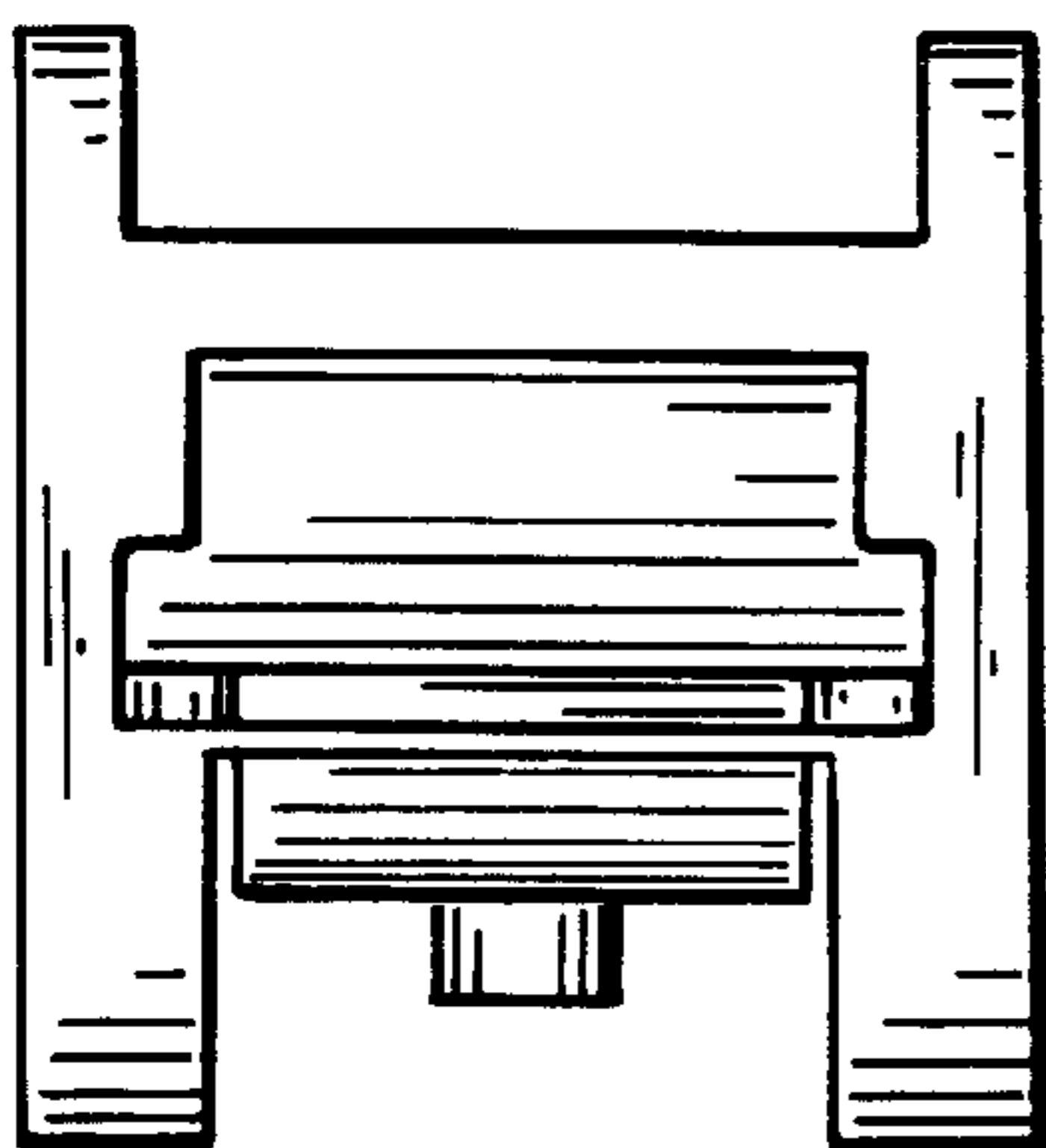


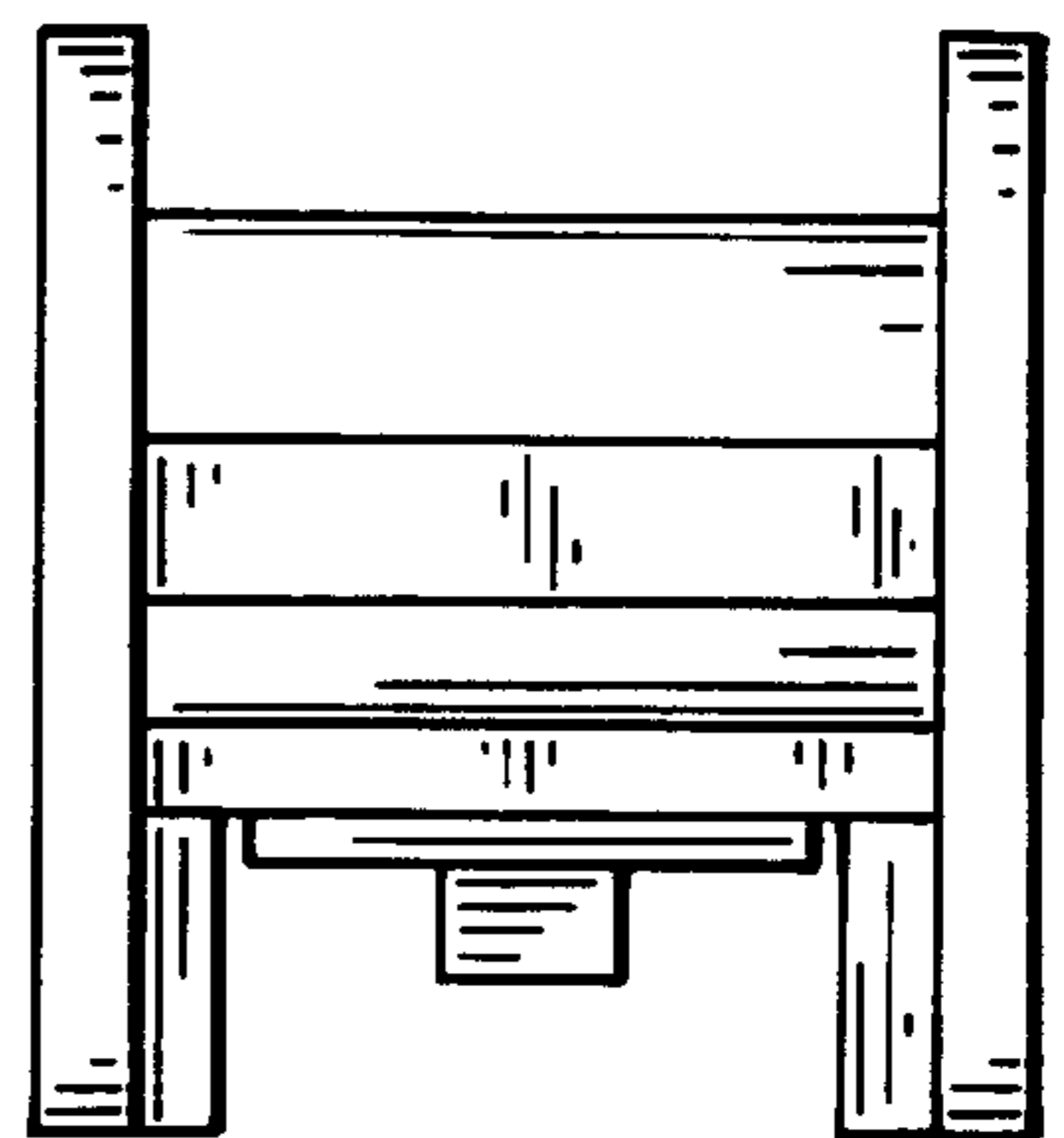
FIG. 7



**FIG. 8**



**FIG. 11**



**FIG. 12**

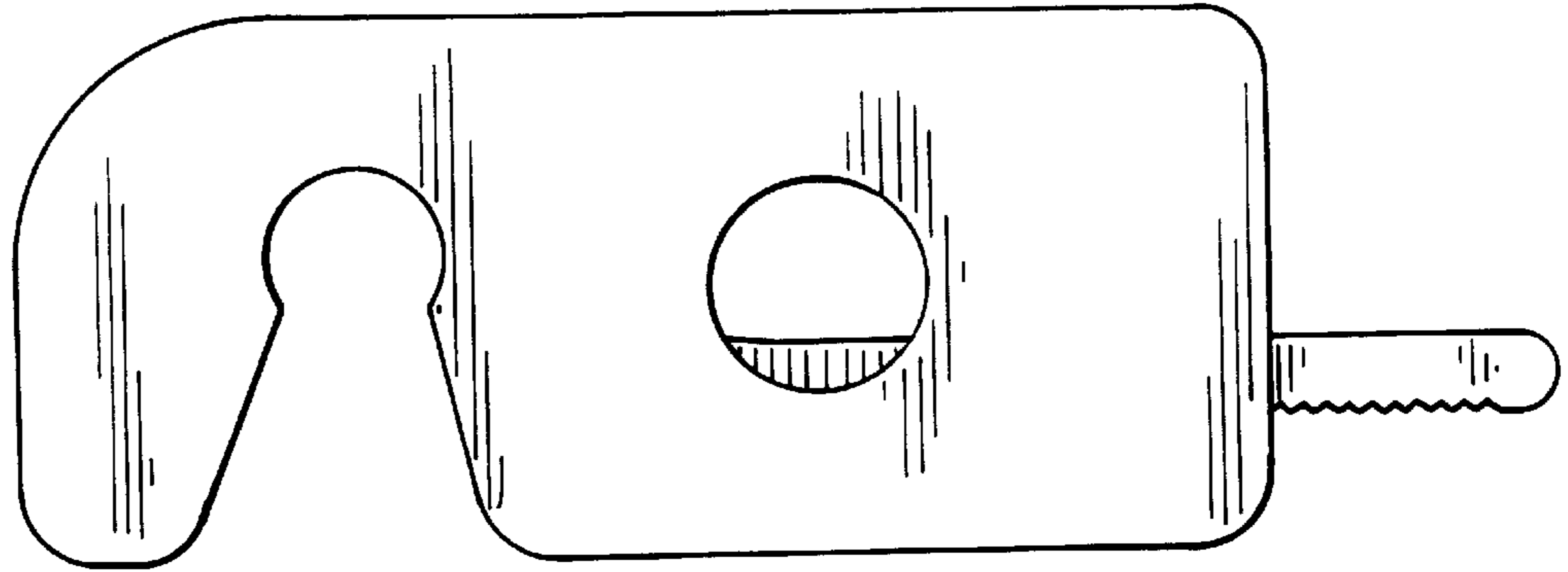


FIG. 9

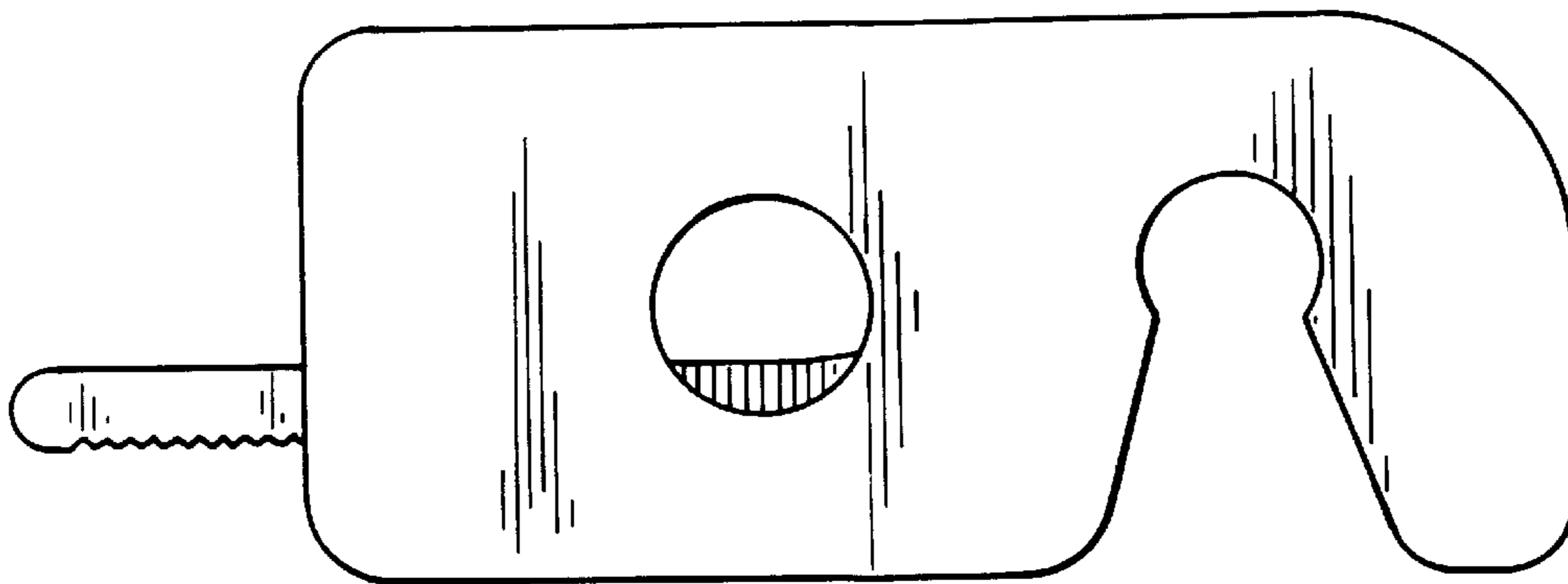


FIG. 10

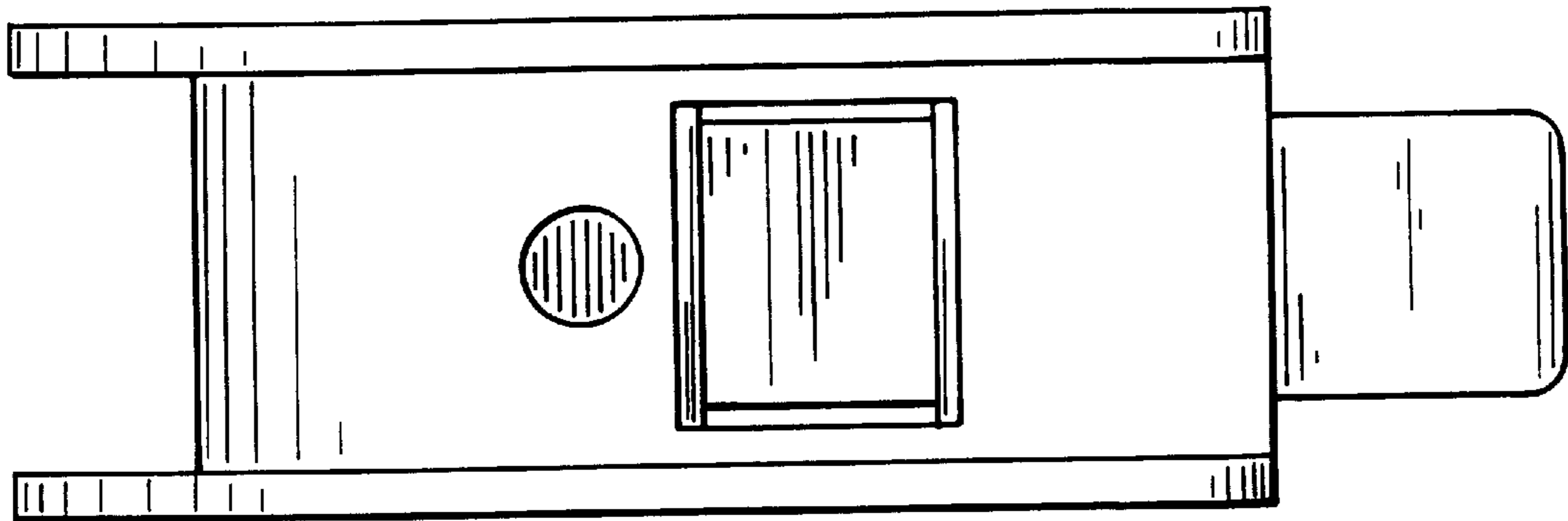


FIG. 13

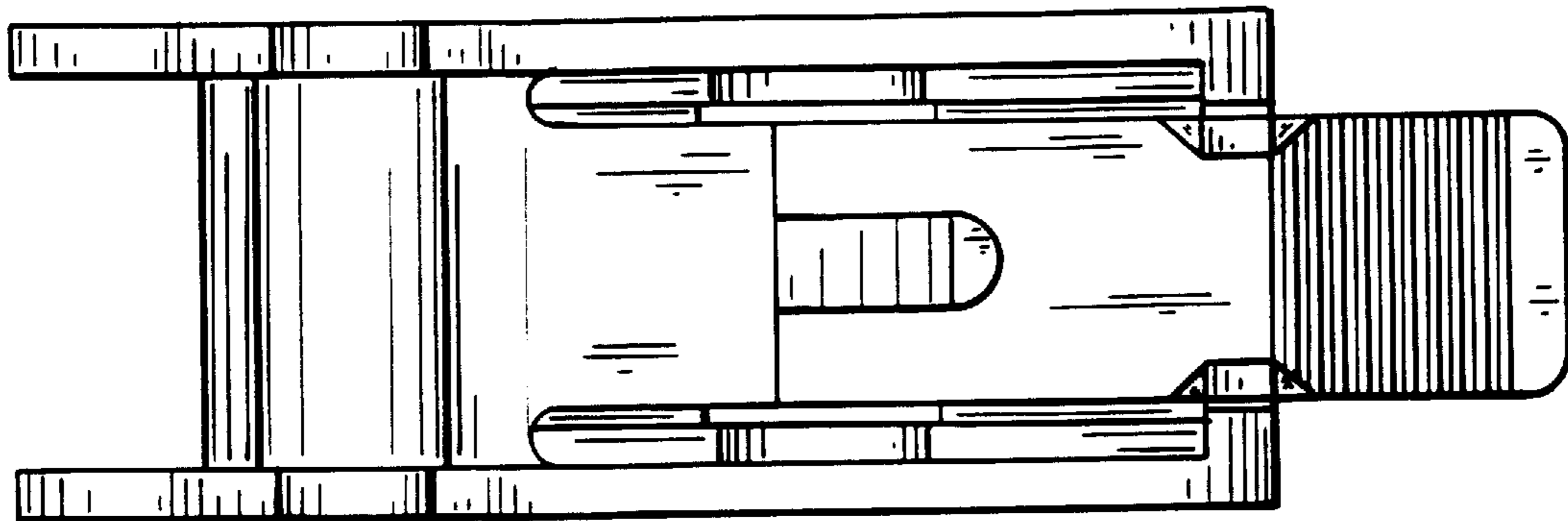


FIG. 14