



US00D404348S

**United States Patent** [19]  
**Hohnholt**

[11] **Patent Number: Des. 404,348**

[45] **Date of Patent: \*\*Jan. 19, 1999**

[54] **TRAILER HITCH**

[76] Inventor: **Clyde H. Hohnholt**, P.O. Box 905,  
Wheatland, Wyo. 82201

[\*\*] Term: **14 Years**

[21] Appl. No.: **81,994**

[22] Filed: **Jan. 12, 1998**

[51] **LOC (6) Cl.** ..... **12-16**

[52] **U.S. Cl.** ..... **D12/162**

[58] **Field of Search** ..... **D12/162**

[56] **References Cited**

**U.S. PATENT DOCUMENTS**

D. 346,782	5/1994	Schmidt	.....	D12/162
3,011,186	3/1967	Wegener et al.	.....	280/511
3,385,611	5/1968	Silver	.....	280/511
4,057,265	11/1977	Grace	.....	280/490.1

*Primary Examiner*—Robert M. Spear  
*Attorney, Agent, or Firm*—Patent Law Offices of Rick  
Martin, P.C.

[57] **CLAIM**

I claim the ornamental design for a trailer hitch, as shown  
and described.

**DESCRIPTION**

FIG. 1 is a front perspective view of a trailer hitch, showing  
my new design

FIG. 2 is a front plan view of a trailer hitch;

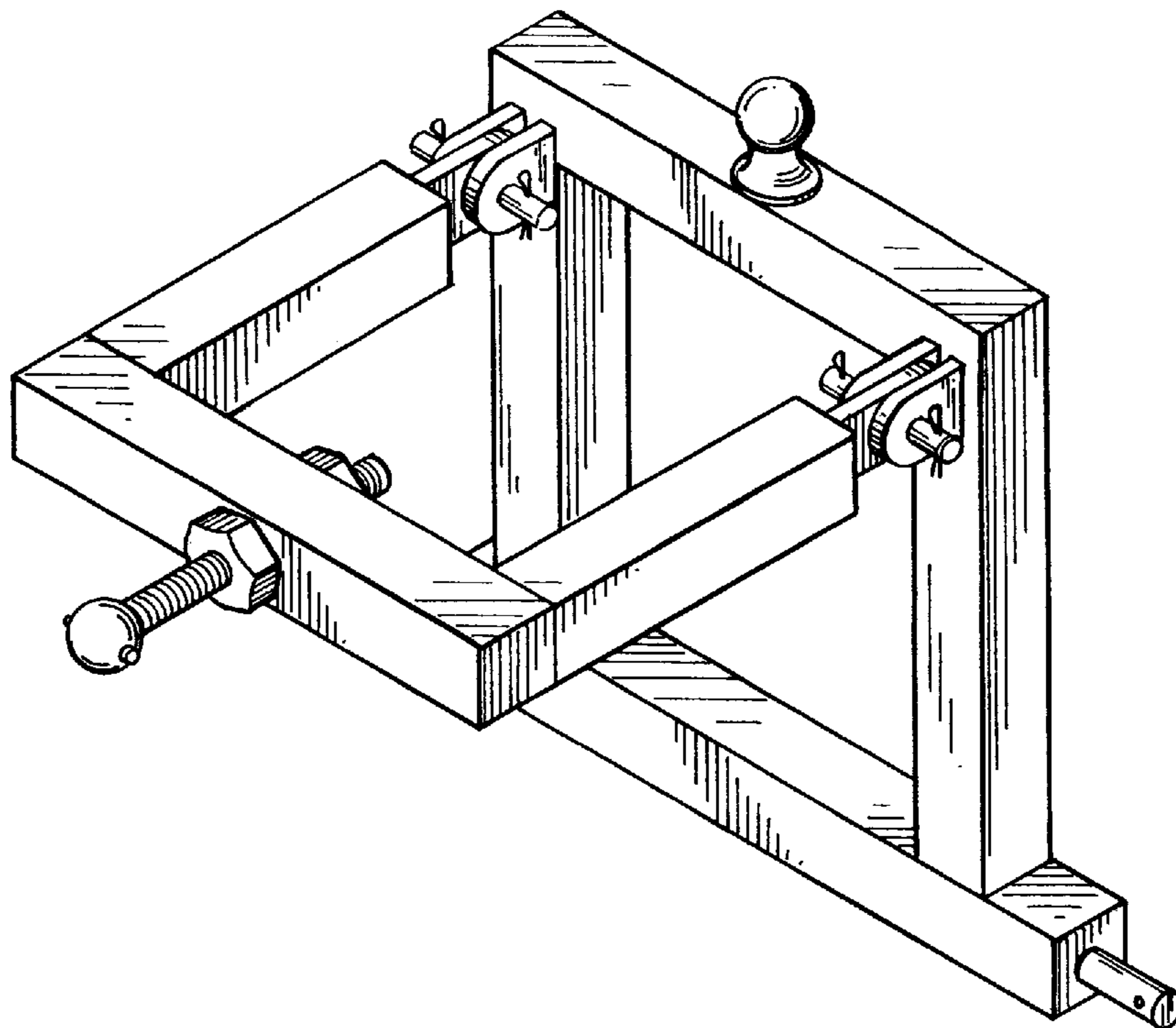
FIG. 3 is a back elevational view of a trailer hitch;

FIG. 4 is a side elevational view of a trailer hitch, the  
opposite side elevational view being a mirror image thereof;

FIG. 5 is a top plan view of a trailer hitch; and,

FIG. 6 is a bottom plan view of a trailer hitch.

**1 Claim, 2 Drawing Sheets**



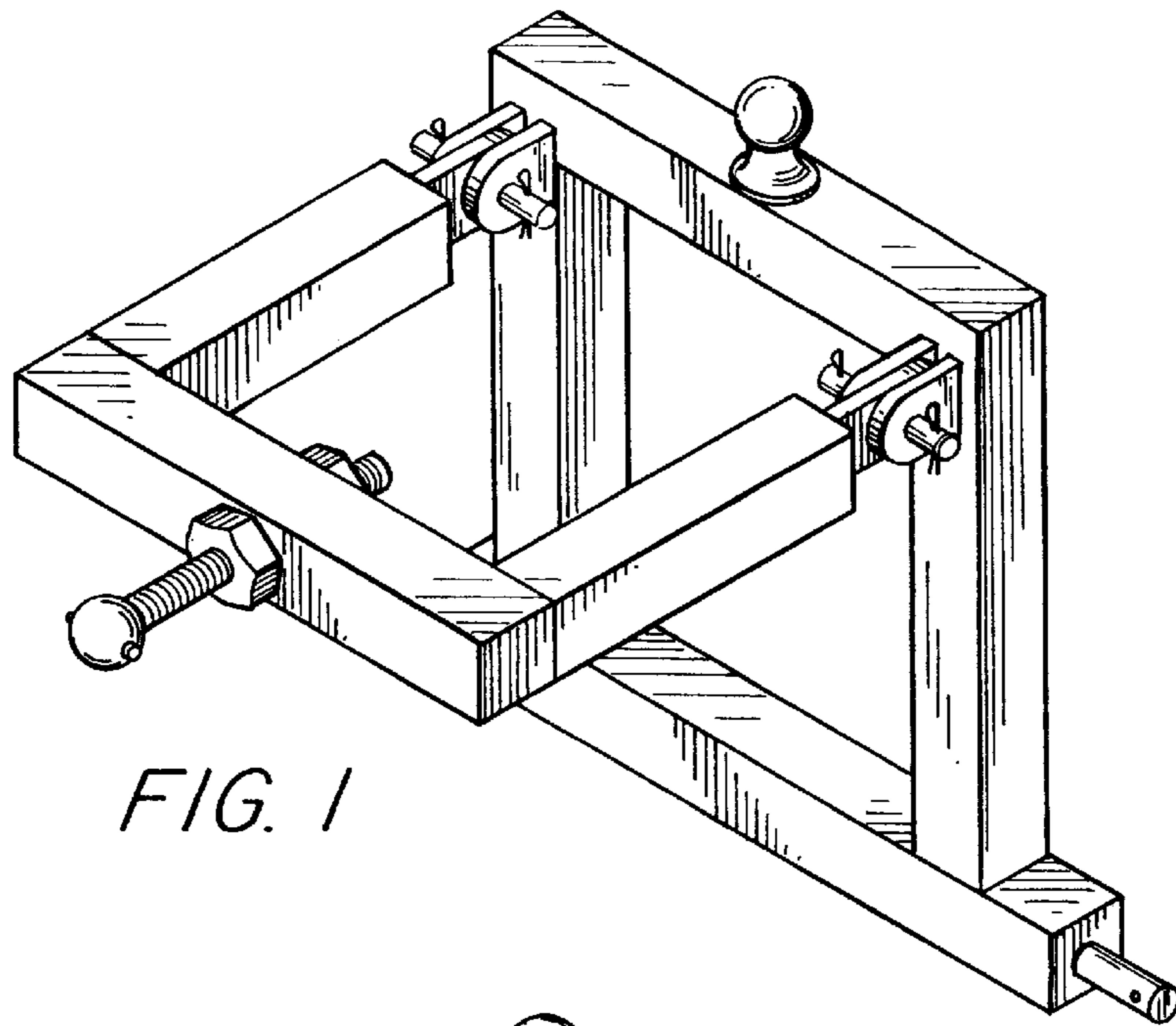


FIG. 1

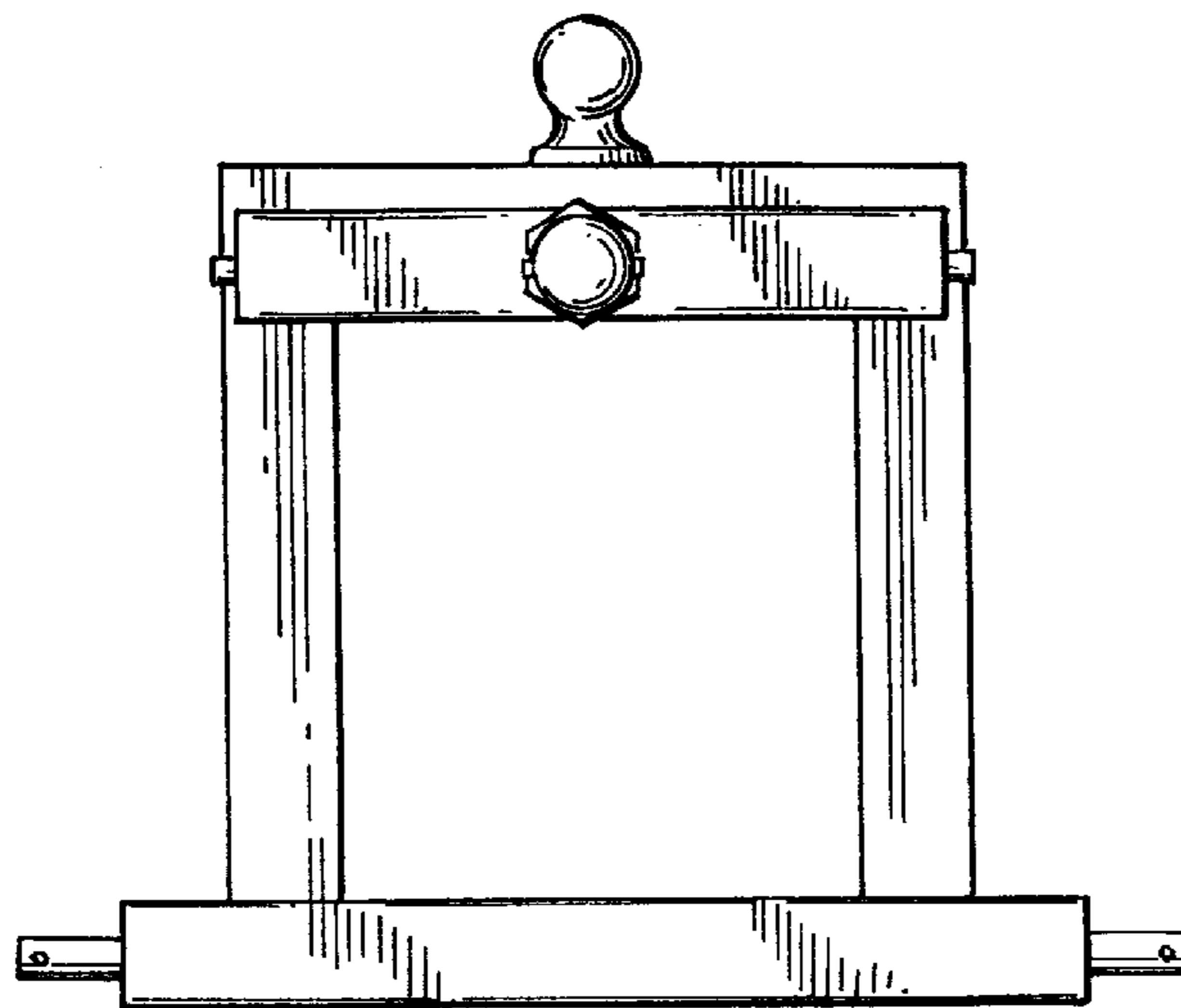


FIG. 2

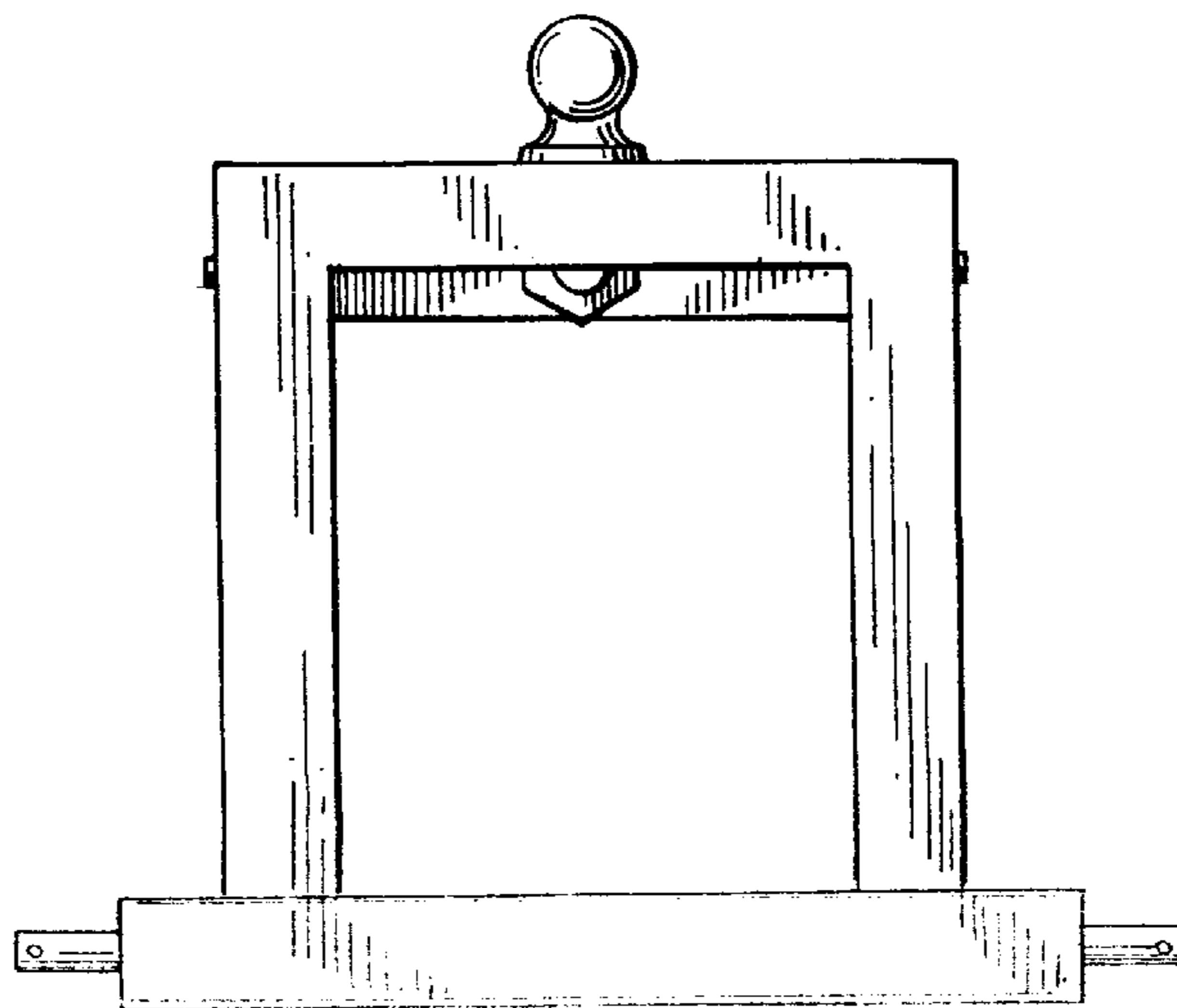


FIG. 3

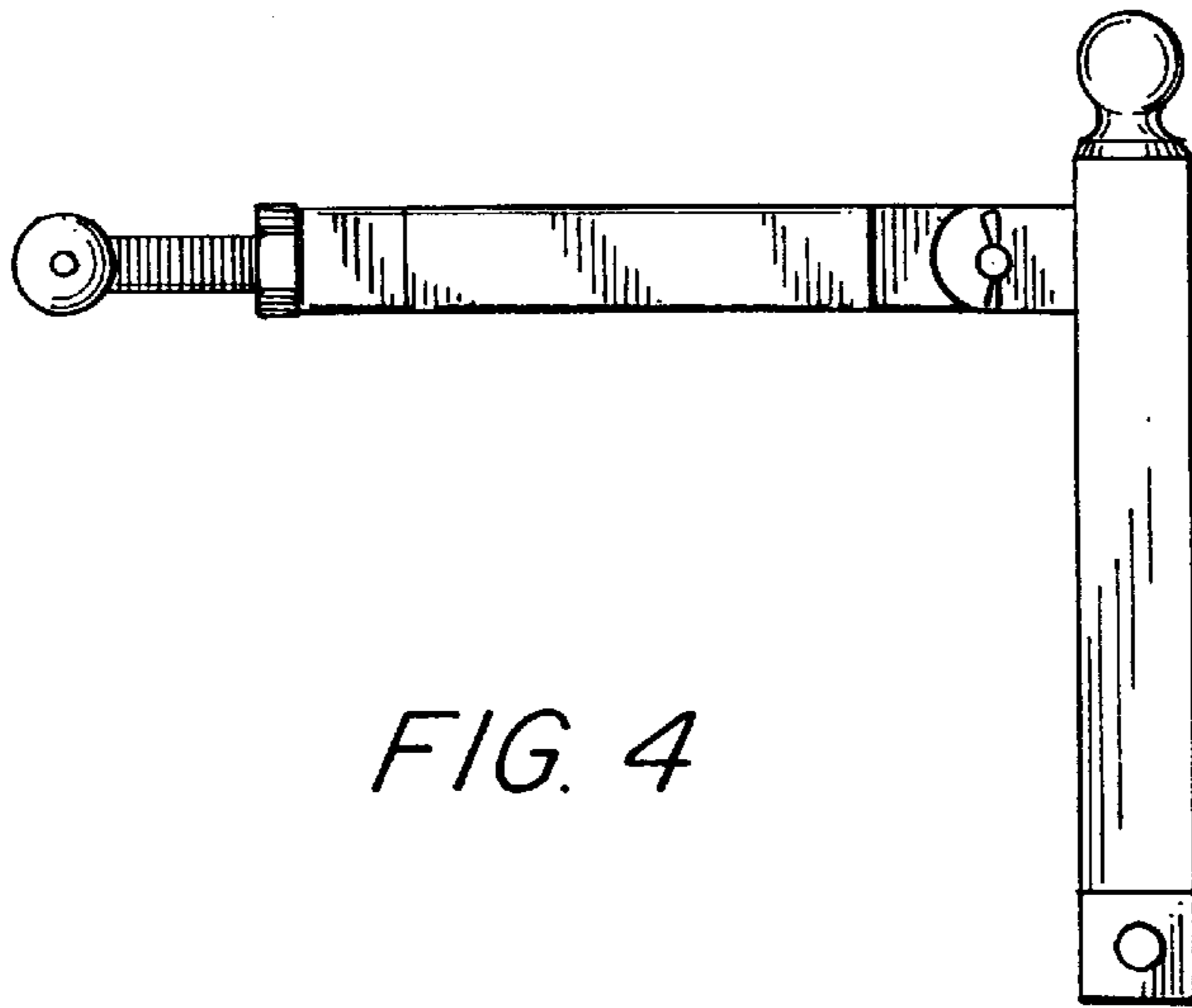


FIG. 4

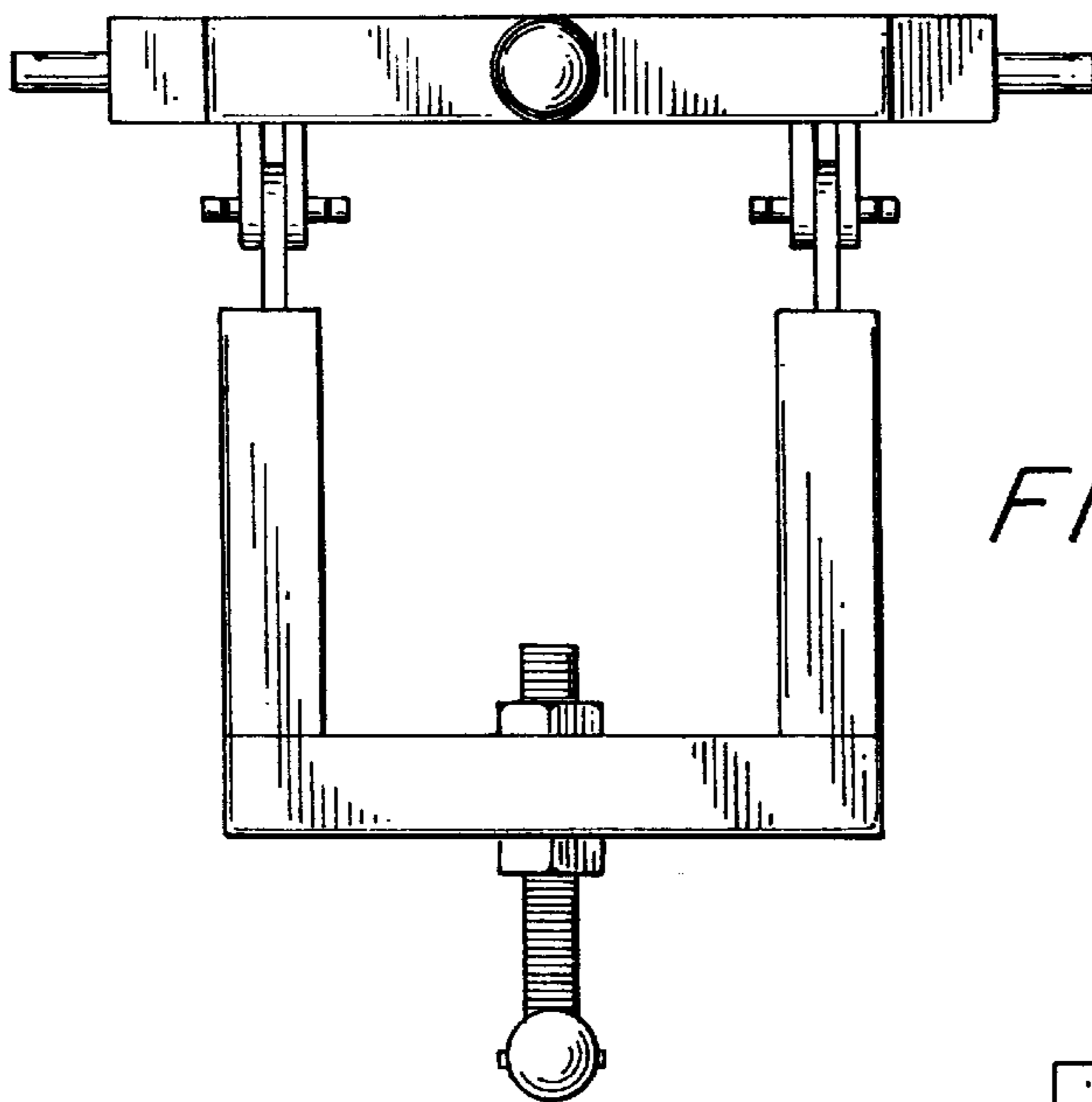


FIG. 5

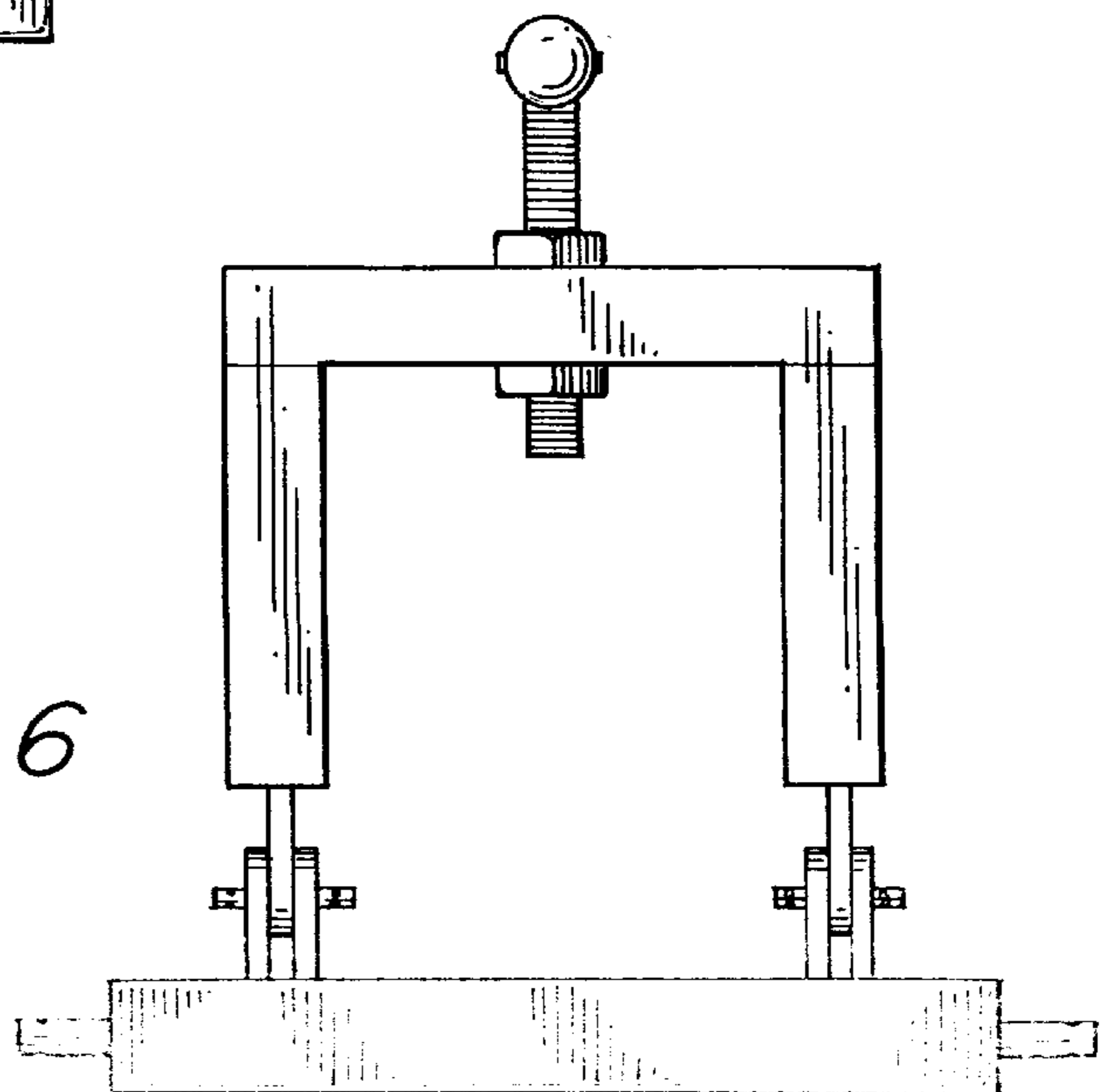


FIG. 6