

US00D404340S

**United States Patent** [19]  
**Grosfillex**

[11] **Patent Number: Des. 404,340**

[45] **Date of Patent: \*\*Jan. 19, 1999**

[54] **FLOWER POT**

[75] Inventor: **Raymond Grosfillex**, Oyonnax, France

[73] Assignee: **Grosfillex SARL**, Oyonnax, France

[\*\*] Term: **14 Years**

[21] Appl. No.: **82,146**

[22] Filed: **Dec. 22, 1997**

[30] **Foreign Application Priority Data**

Jun. 26, 1997 [XH] Hague Agreement ..... DMA003761

[51] **LOC (6) Cl.** ..... **11-02**

[52] **U.S. Cl.** ..... **D11/151; D11/152**

[58] **Field of Search** ..... D11/143-156;  
D6/403; 47/65.5, 65.7, 68, 72, 39, 40, 41.01;  
206/423; 248/27.8

[56] **References Cited**

**U.S. PATENT DOCUMENTS**

D. 324,005 2/1992 Grosfillex ..... D11/152  
D. 370,187 5/1996 Sanderson ..... D11/152

**OTHER PUBLICATIONS**

Deroma catalog; p. 3 Classic; Item #38 Decorated Vase, Aug. 15, 1995.

Southern Patio brochure by Southern Sales & Marketing Group Inc.; Perma Cotta Planter Item #PTP-21; Brochure #SSM-9, Aug. 15, 1995.

*Primary Examiner*—Caron D. Veynar  
*Attorney, Agent, or Firm*—Dowell & Dowell, P.C.

[57] **CLAIM**

The ornamental design for a flower pot, as shown and described.

**DESCRIPTION**

FIG. 1 is a front elevational view of a flower pot showing my new design, the rear elevation view being a mirror image thereof;

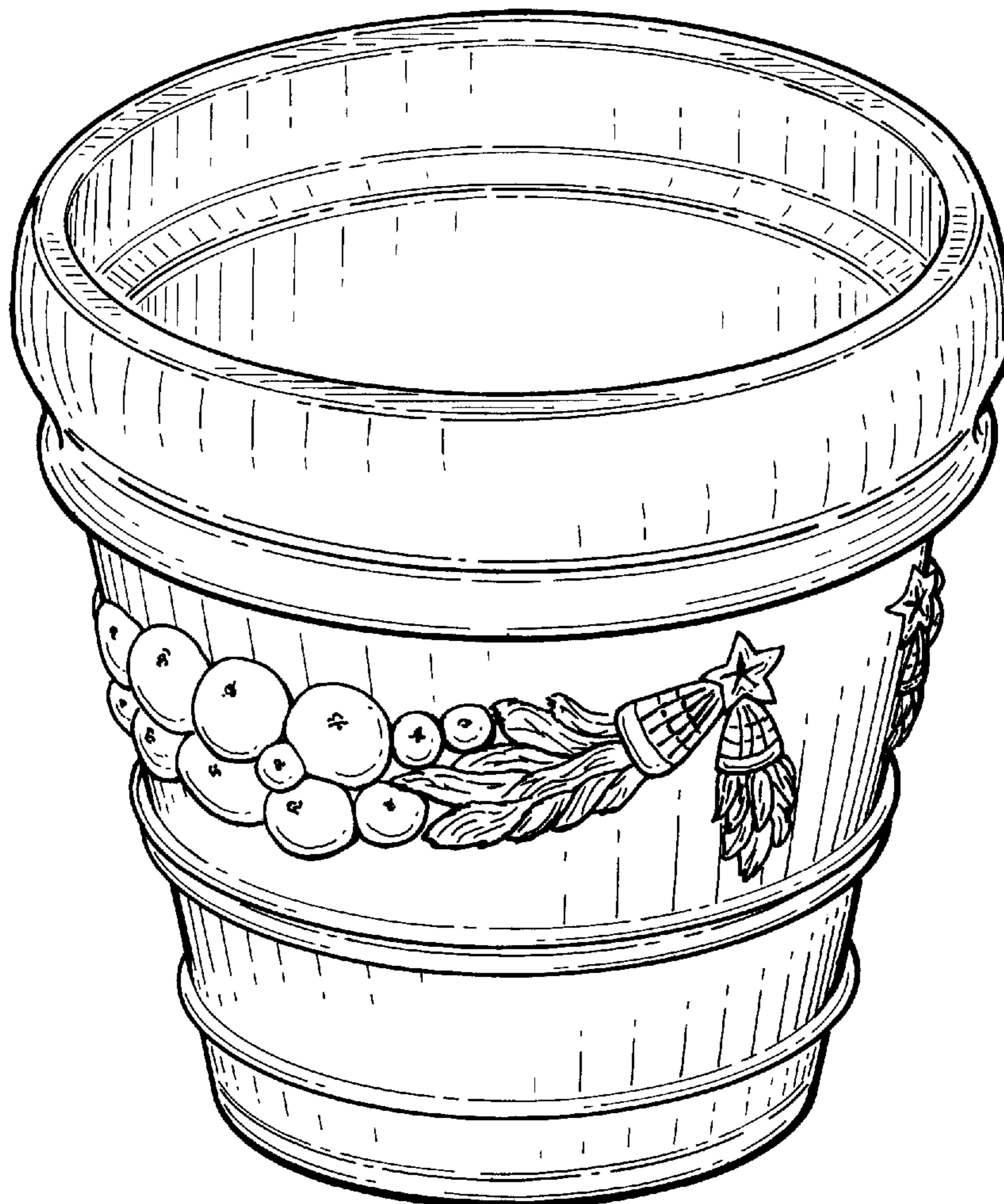
FIG. 2 is a top plan view;

FIG. 3 is a bottom plan view;

FIG. 4 is a left side view thereof, the right side being a mirror image; and,

FIG. 5 is a front perspective view.

**1 Claim, 3 Drawing Sheets**



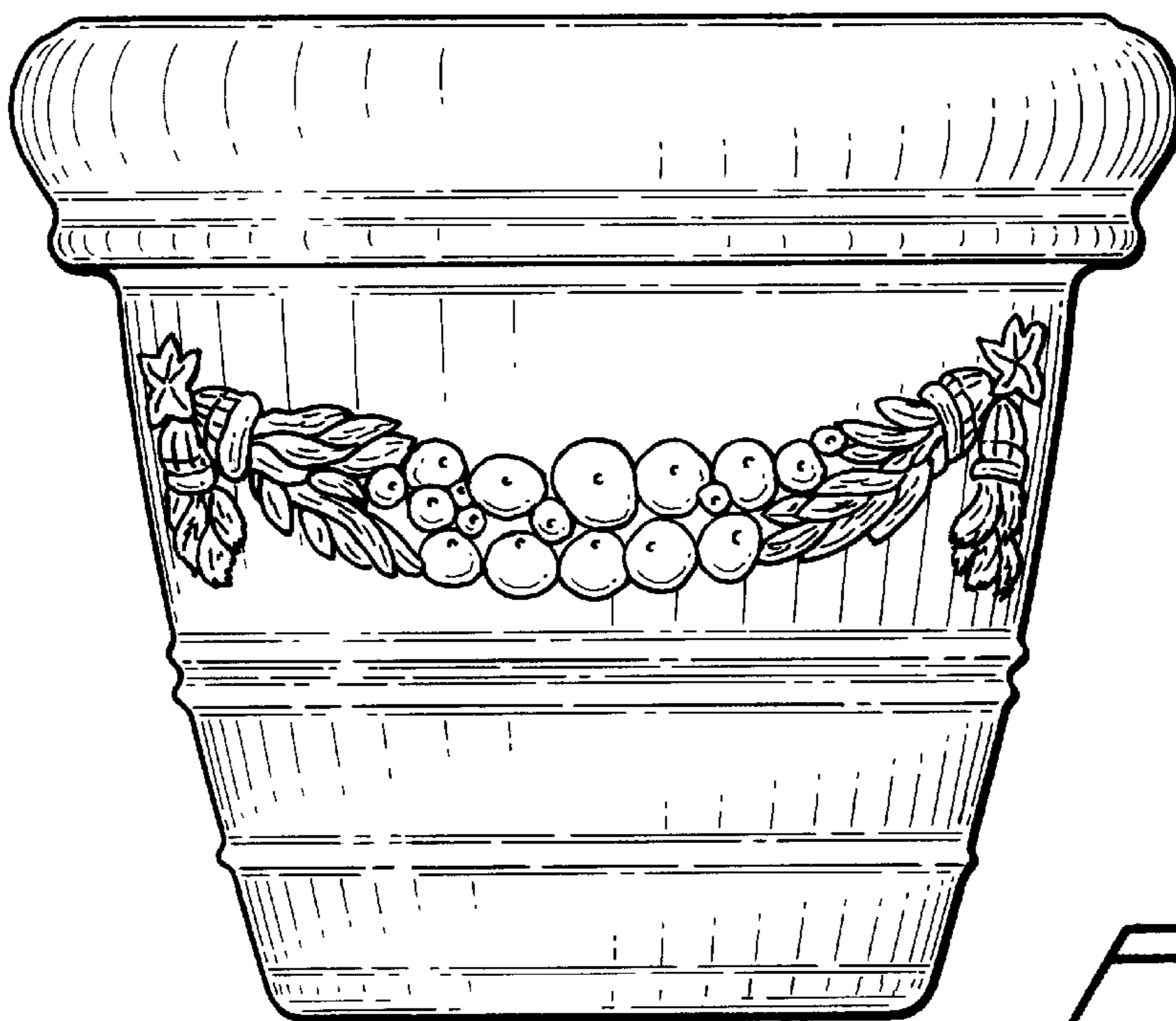


FIG. 1

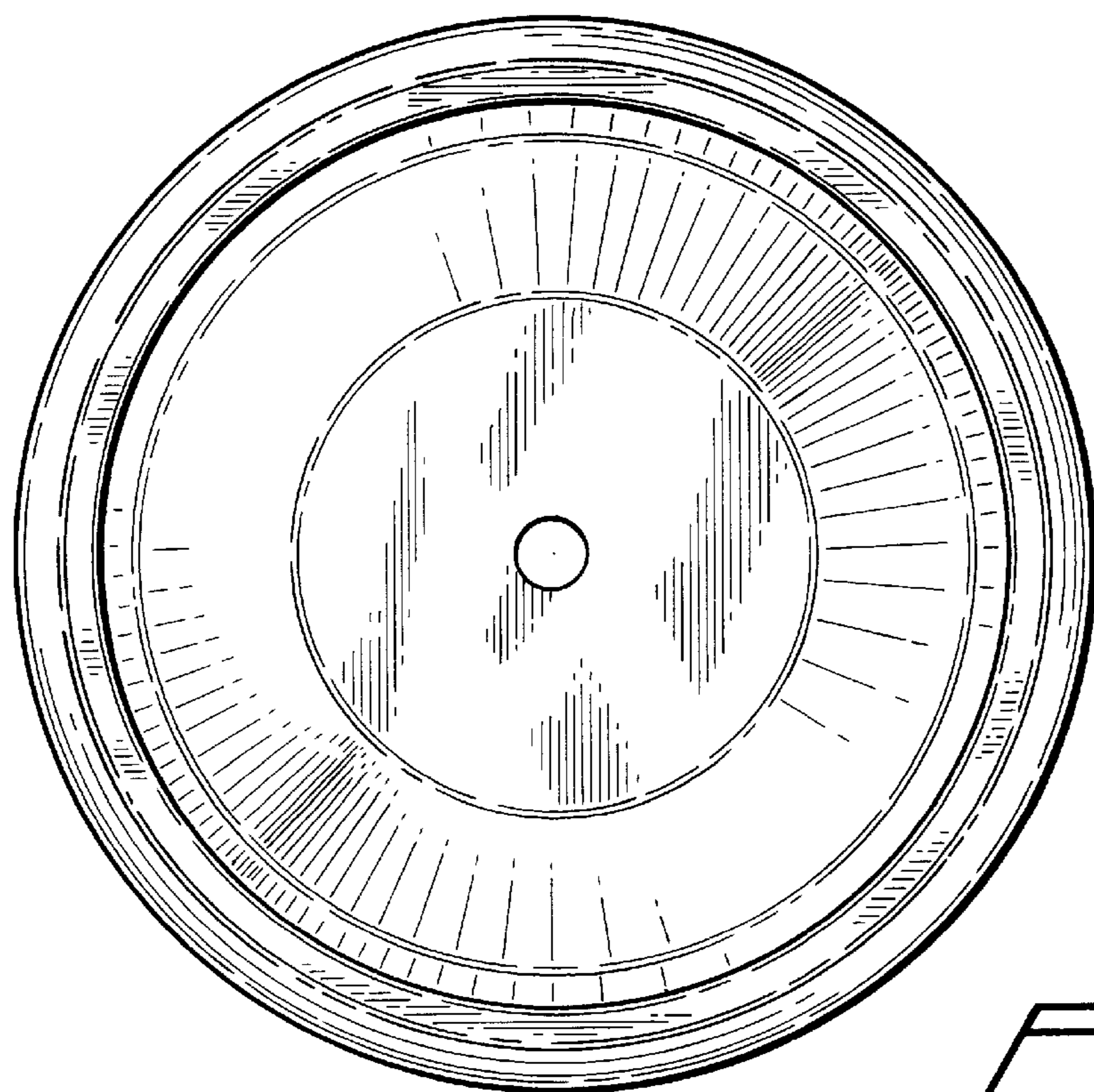


FIG. 2

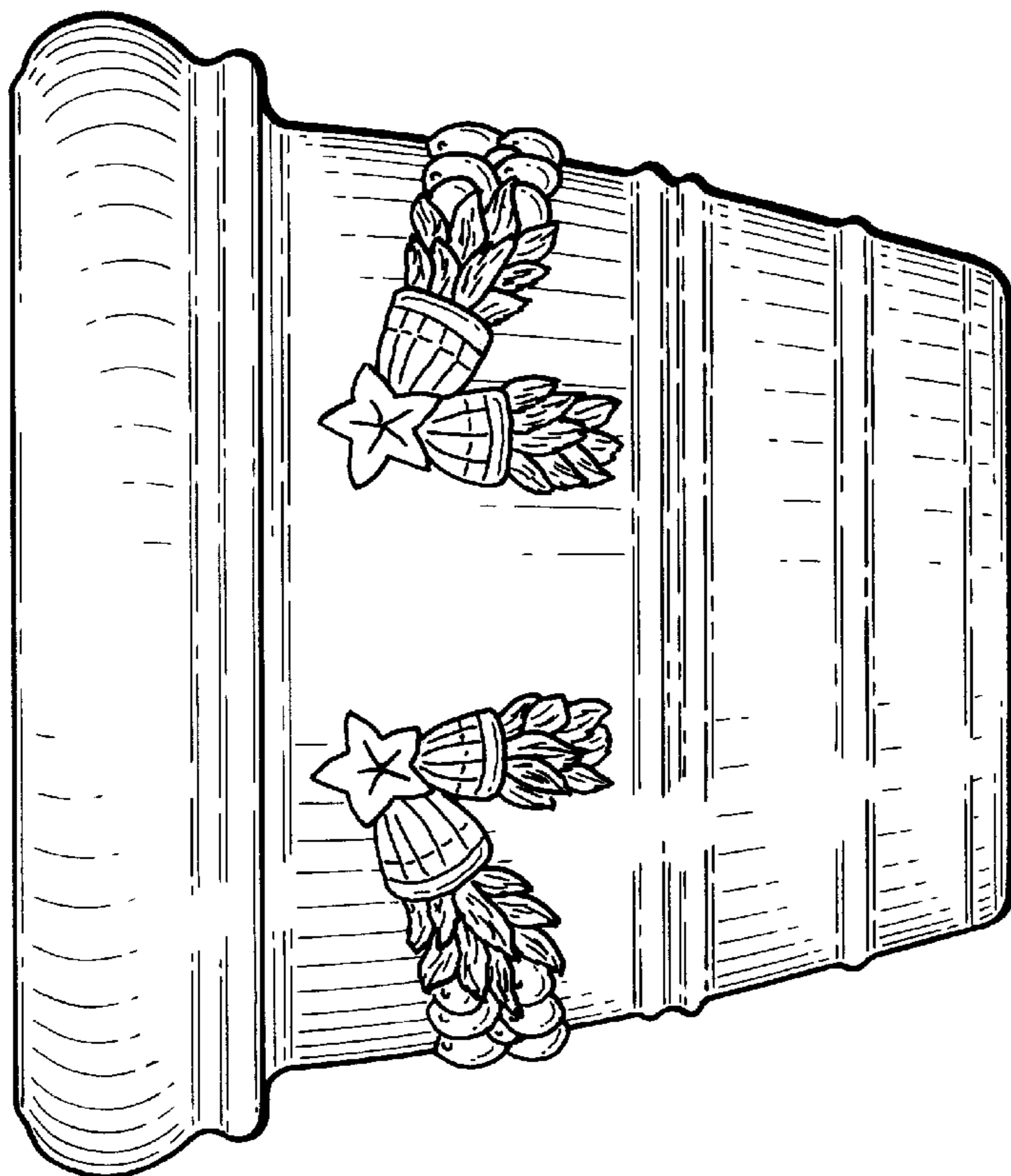


FIG. 4

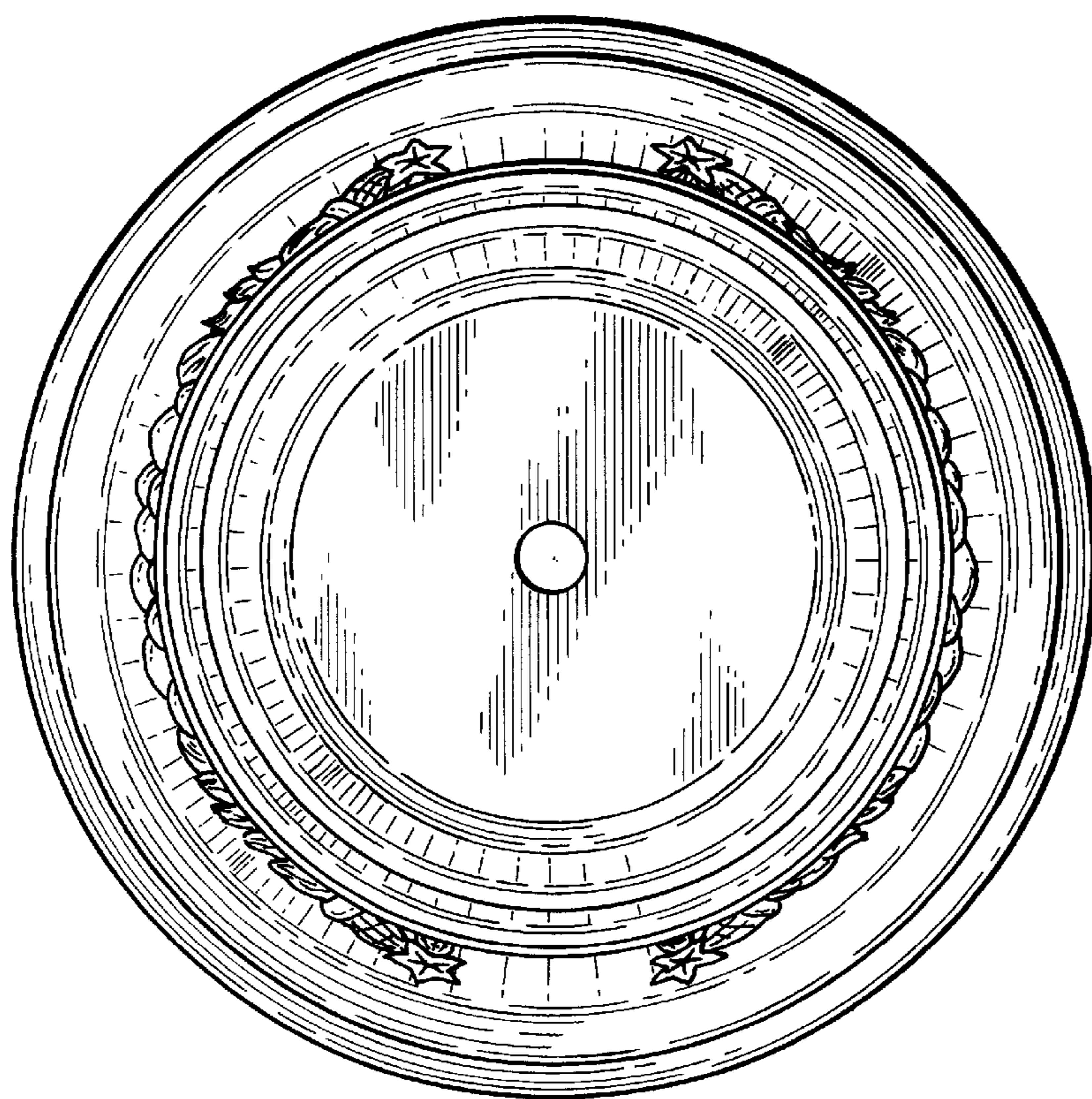


FIG. 5

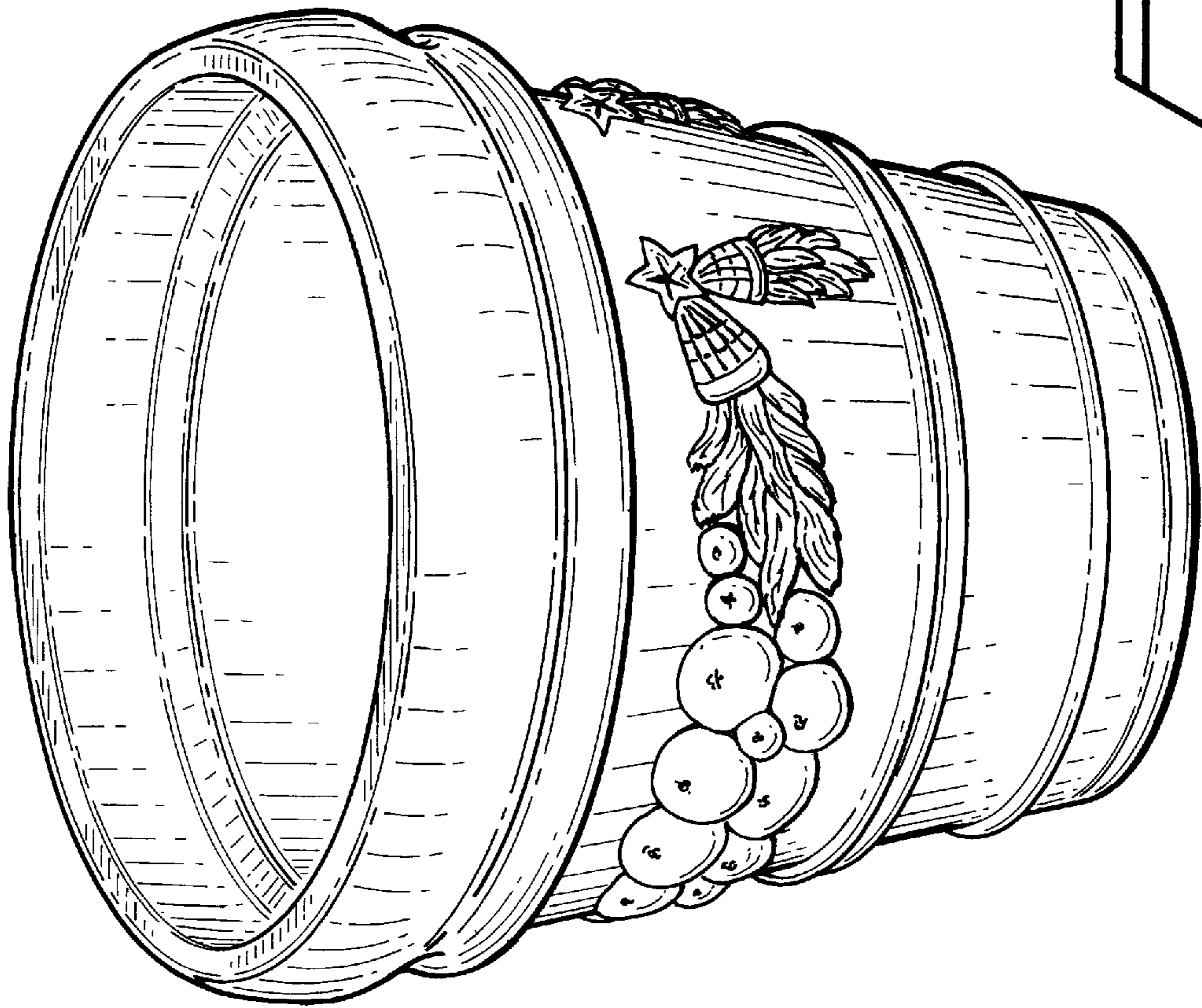


FIG. 5