

US00D404329S

United States Patent [19]
Jorst

[11] **Patent Number: Des. 404,329**

[45] **Date of Patent: **Jan. 19, 1999**

[54] **WATCH BAND**

[76] Inventor: **Charlotte Kjoelbye Jorst**, 867 Donna Dr., Incline Village, Nev. 89451

[**] Term: **14 Years**

[21] Appl. No.: **82,044**

[22] Filed: **Jan. 13, 1998**

[51] **LOC (6) Cl.** **11-01**

[52] **U.S. Cl.** **D11/25**

[58] **Field of Search** D11/1-3, 19-25, D11/93, 94; D10/32-39; 63/1.1-6; 368/362

[56] **References Cited**

U.S. PATENT DOCUMENTS

- D. 165,718 1/1952 Meyerson D11/25
- D. 284,170 6/1986 Kurimura D10/32
- D. 385,813 11/1997 Hartzband D11/21
- D. 387,298 12/1997 Hanagata D11/3

Primary Examiner—Ralf Seifert
Attorney, Agent, or Firm—Abelman, Frayne & Schwab

[57] **CLAIM**

The ornamental design for a watch band, as shown and described.

DESCRIPTION

FIG. 1 is a top plan view of a watch band showing my new design, wherein the watch case and stem are shown in dashed lines for environmental purposes only and are not part of the claimed design;

FIG. 2 is a side elevational view taken from the right side of FIG. 1;

FIG. 3 is front view thereof; and,

FIG. 4 is a bottom plan view thereof.

The portion of the inside of the band which is not visible in FIGS. 1, 3 and 4 form no part of the claimed design.

1 Claim, 2 Drawing Sheets

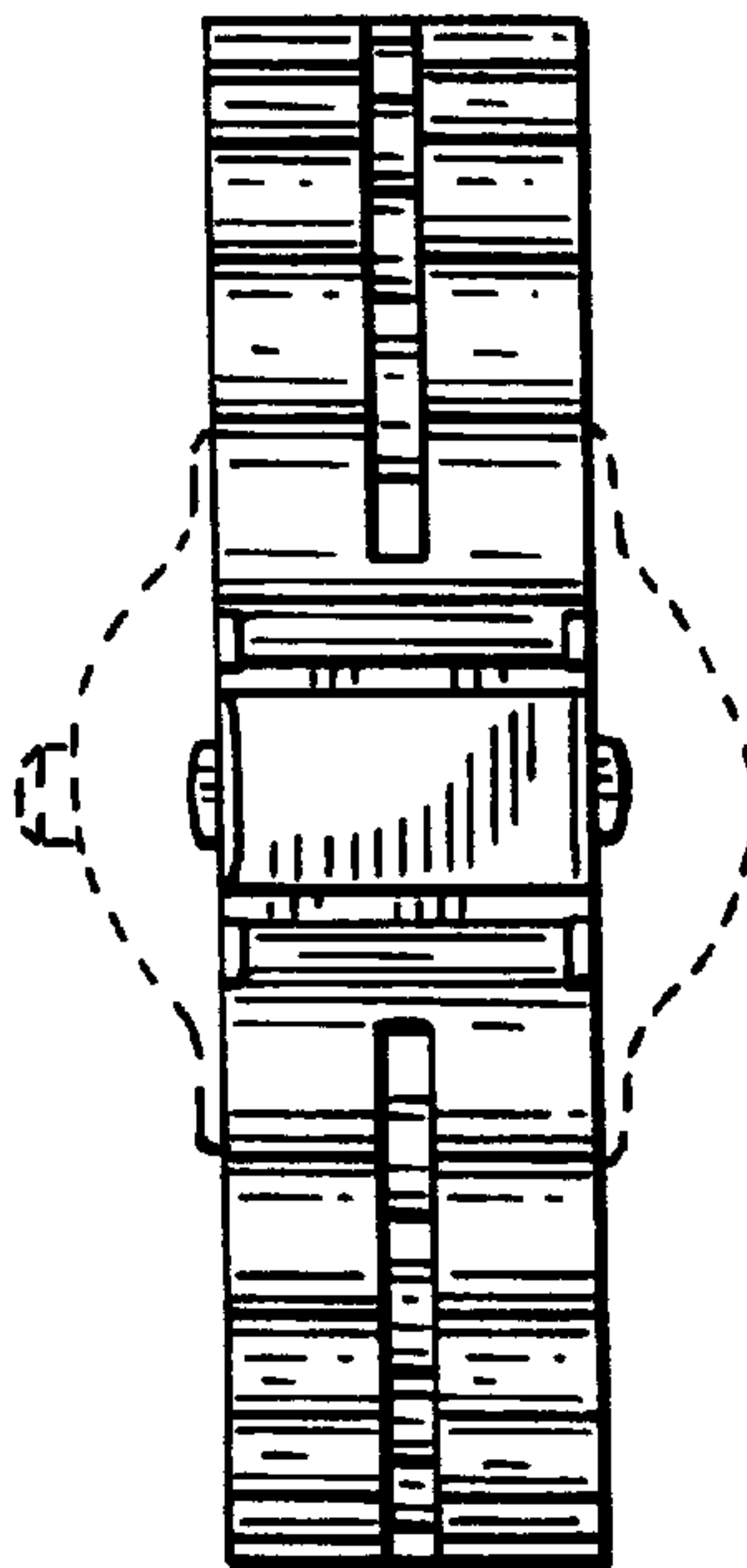


FIG. 1

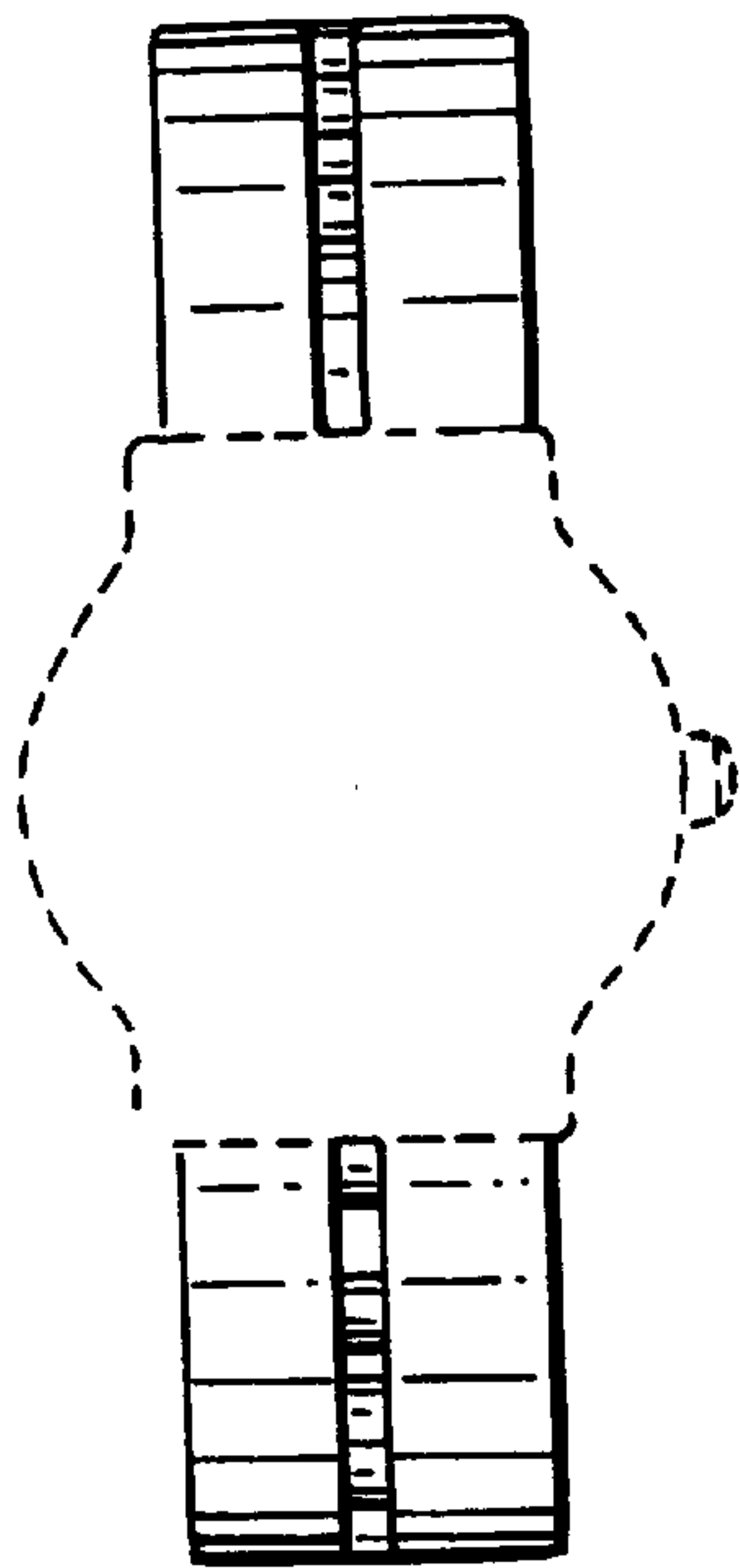
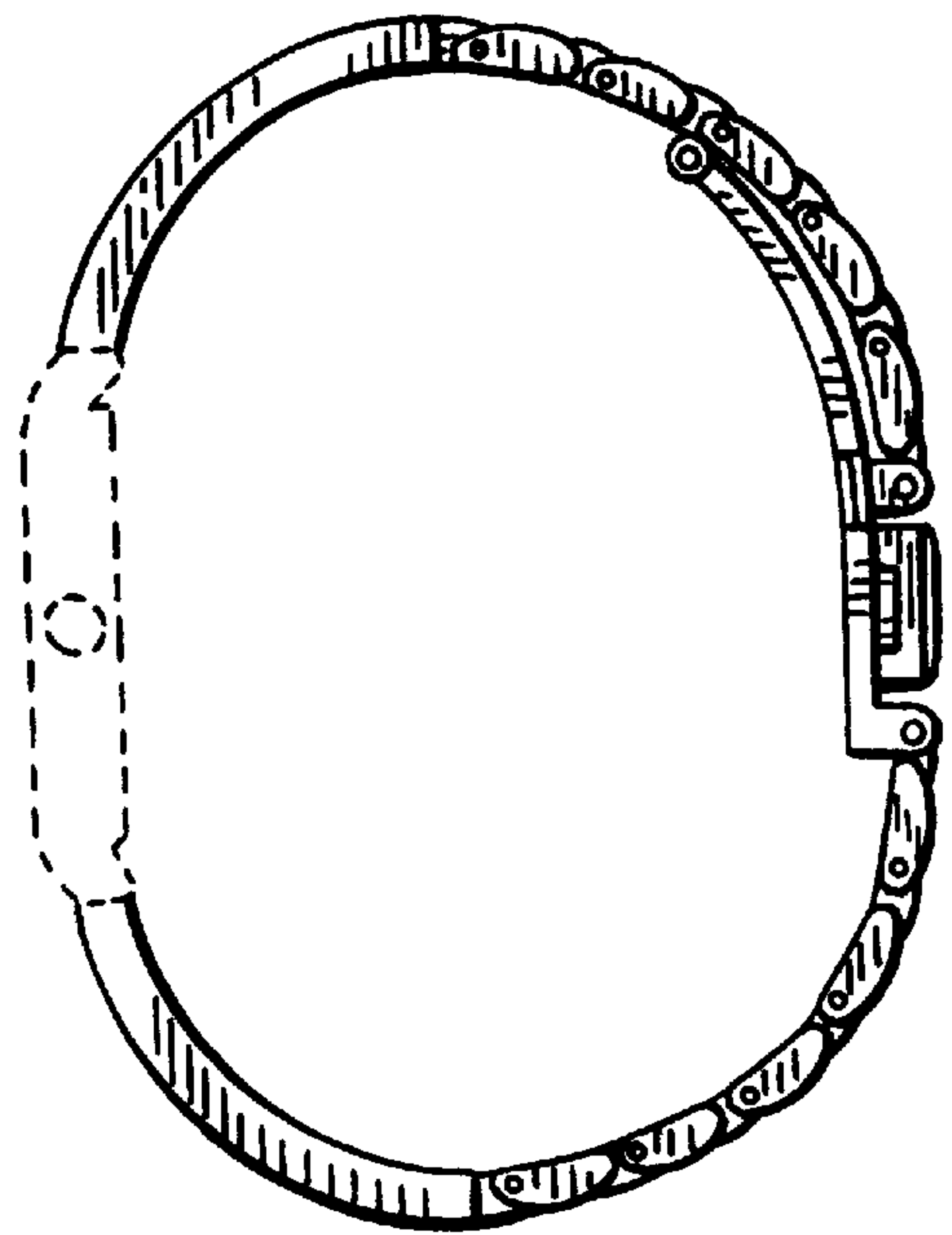


FIG. 2



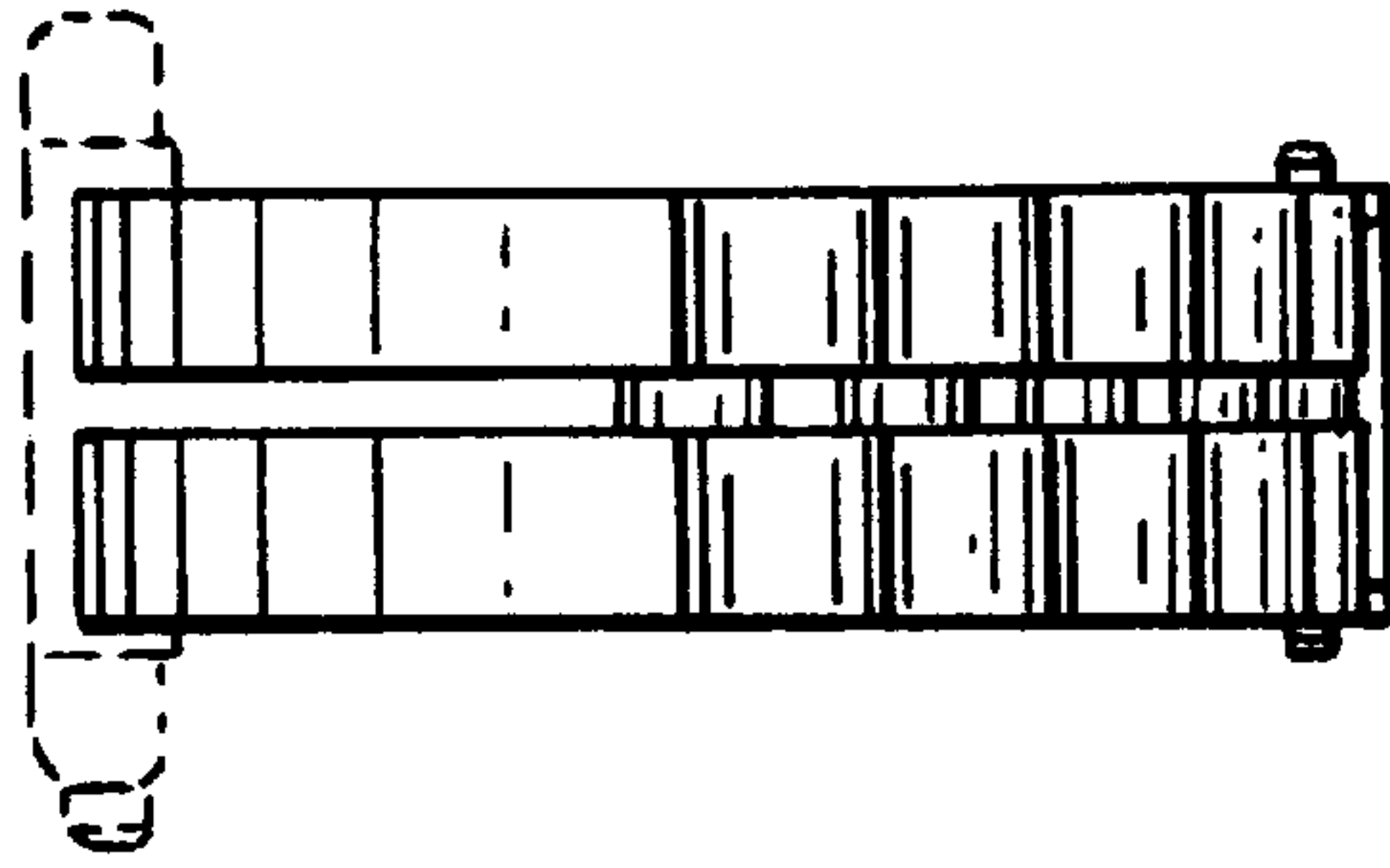


FIG. 3

FIG. 4

