



US00D404327S

United States Patent [19] Huang

[11] **Patent Number: Des. 404,327**

[45] **Date of Patent: **Jan. 19, 1999**

[54] **SOUND MODULE**

[75] Inventor: **Chang Yang Huang**, Kowloon, Hong Kong

[73] Assignee: **Tai Chany Enterprises Company Limited**, Kowloon, Hong Kong

[**] Term: **14 Years**

[21] Appl. No.: **83,119**

[22] Filed: **Feb. 4, 1998**

[51] **LOC (6) Cl. 10-05**

[52] **U.S. Cl. D10/116**

[58] **Field of Search** D10/104, 106,
D10/116, 119, 120, 121; 340/571, 572,
573, 603, 604, 321, 394

[56] **References Cited**

U.S. PATENT DOCUMENTS

- D. 181,376 11/1957 Smith D10/116
- D. 236,817 9/1975 Sweany D10/116

- D. 254,730 4/1980 Mitumori D10/116
- D. 259,864 7/1981 Snyder D10/116
- D. 272,993 3/1984 Chan D10/116
- 2,554,627 5/1951 Merola D10/116

Primary Examiner—Marcus A. Jackson
Attorney, Agent, or Firm—Salter & Michaelson

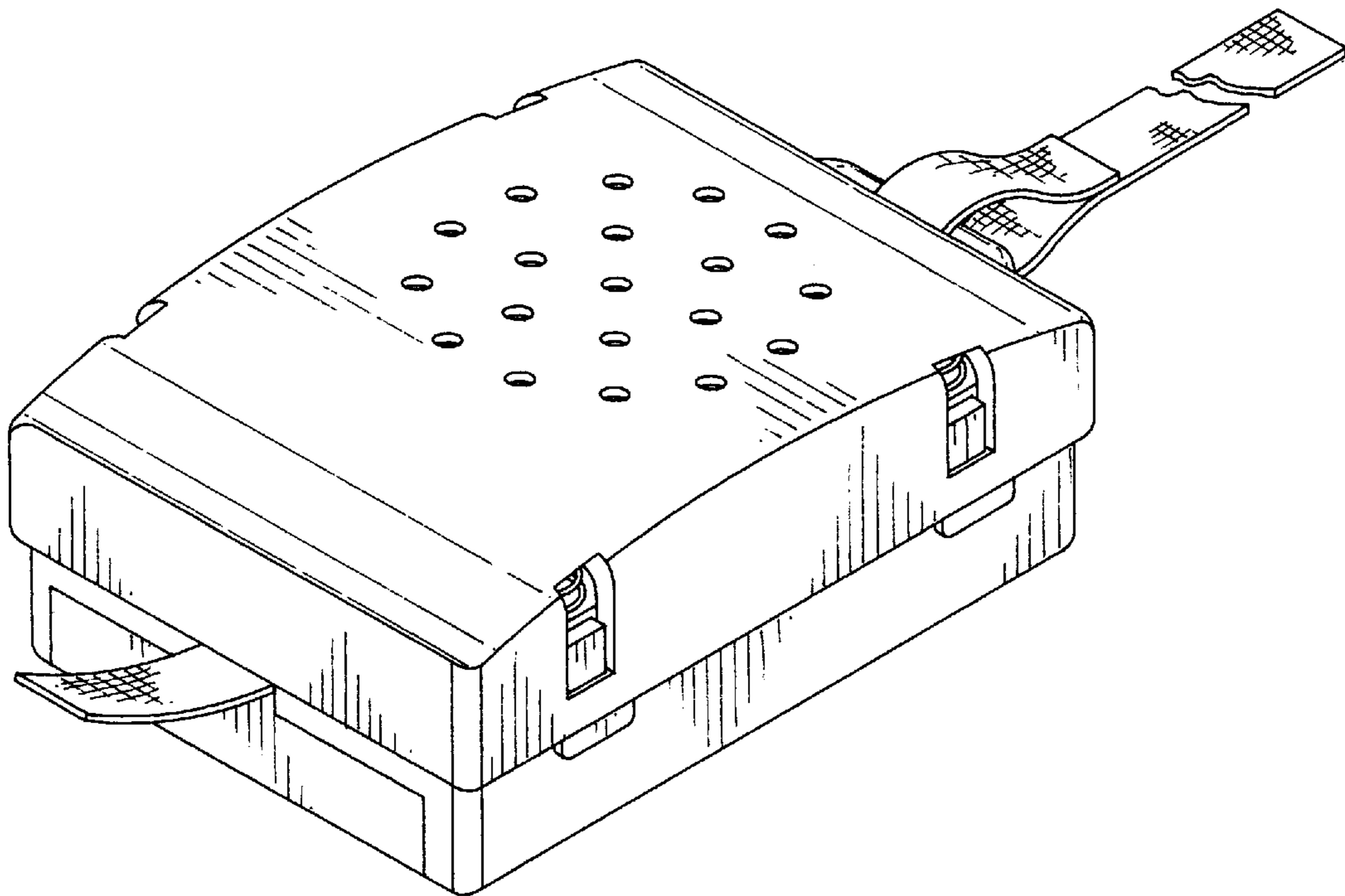
[57] **CLAIM**

The ornamental design for a sound module, as shown and described.

DESCRIPTION

FIG. 1 is a top plan view of a design for a sound module showing my new design; with the straps broken away to indicate indeterminate length;
FIG. 2 is a bottom plan view thereof;
FIG. 3 is a front elevational view thereof;
FIG. 4 is a rear elevational view thereof;
FIG. 5 is a right side elevational view thereof;
FIG. 6 is a left side elevational view thereof; and,
FIG. 7 is a perspective view thereof.

1 Claim, 3 Drawing Sheets



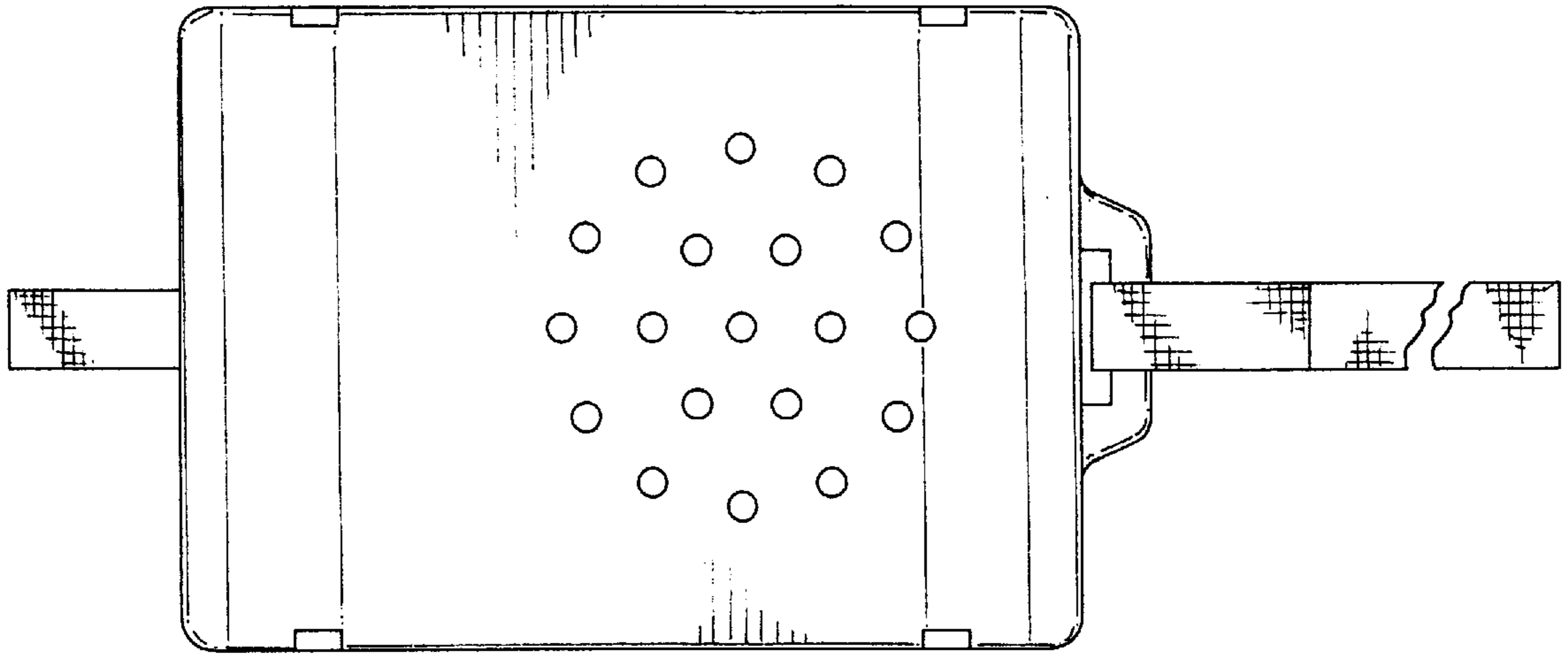


FIG. 1

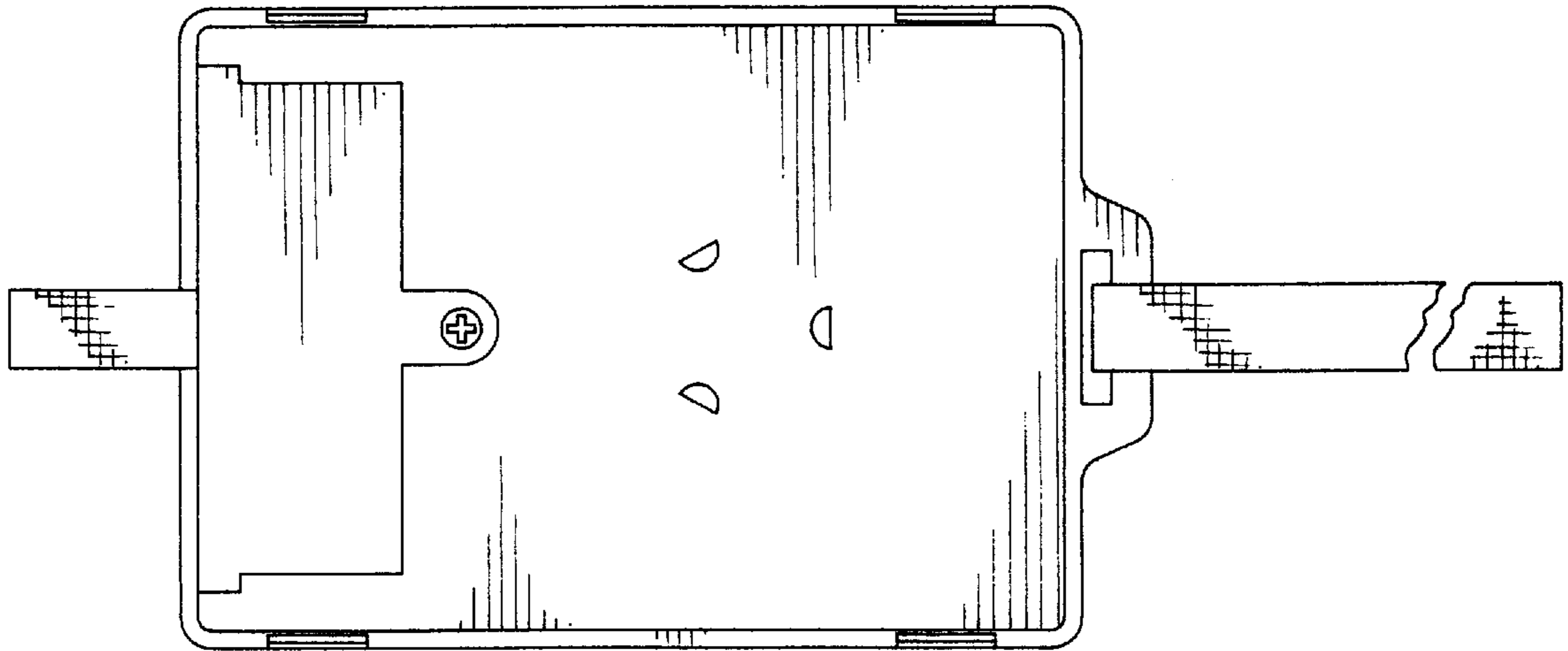


FIG. 2

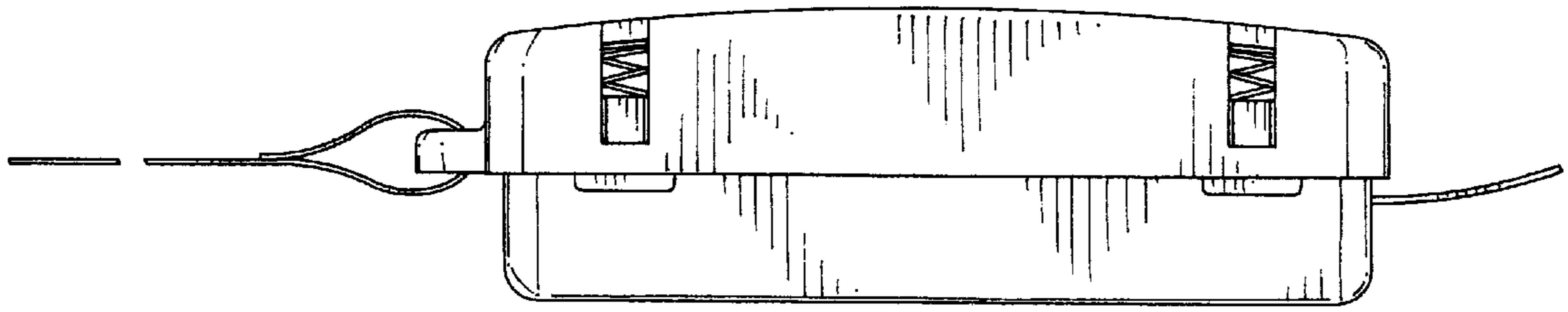


FIG. 3

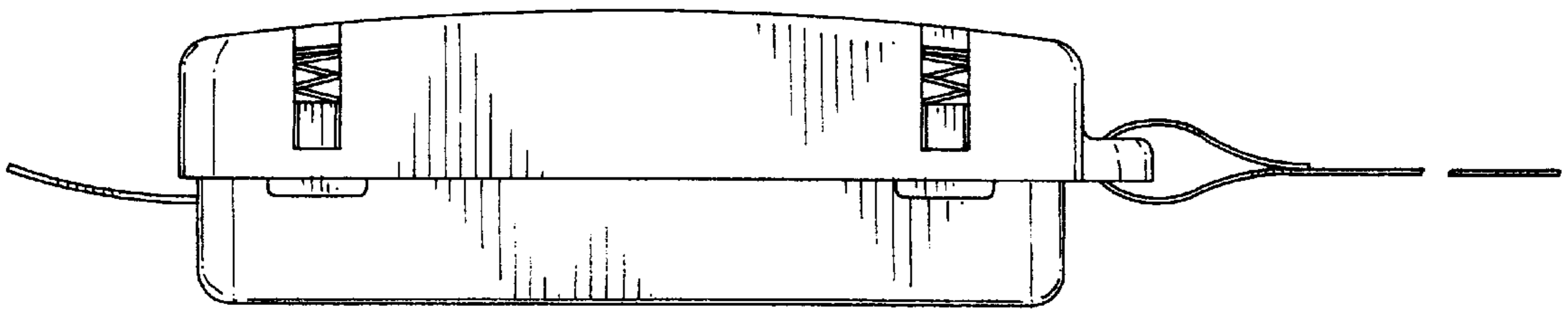


FIG. 4

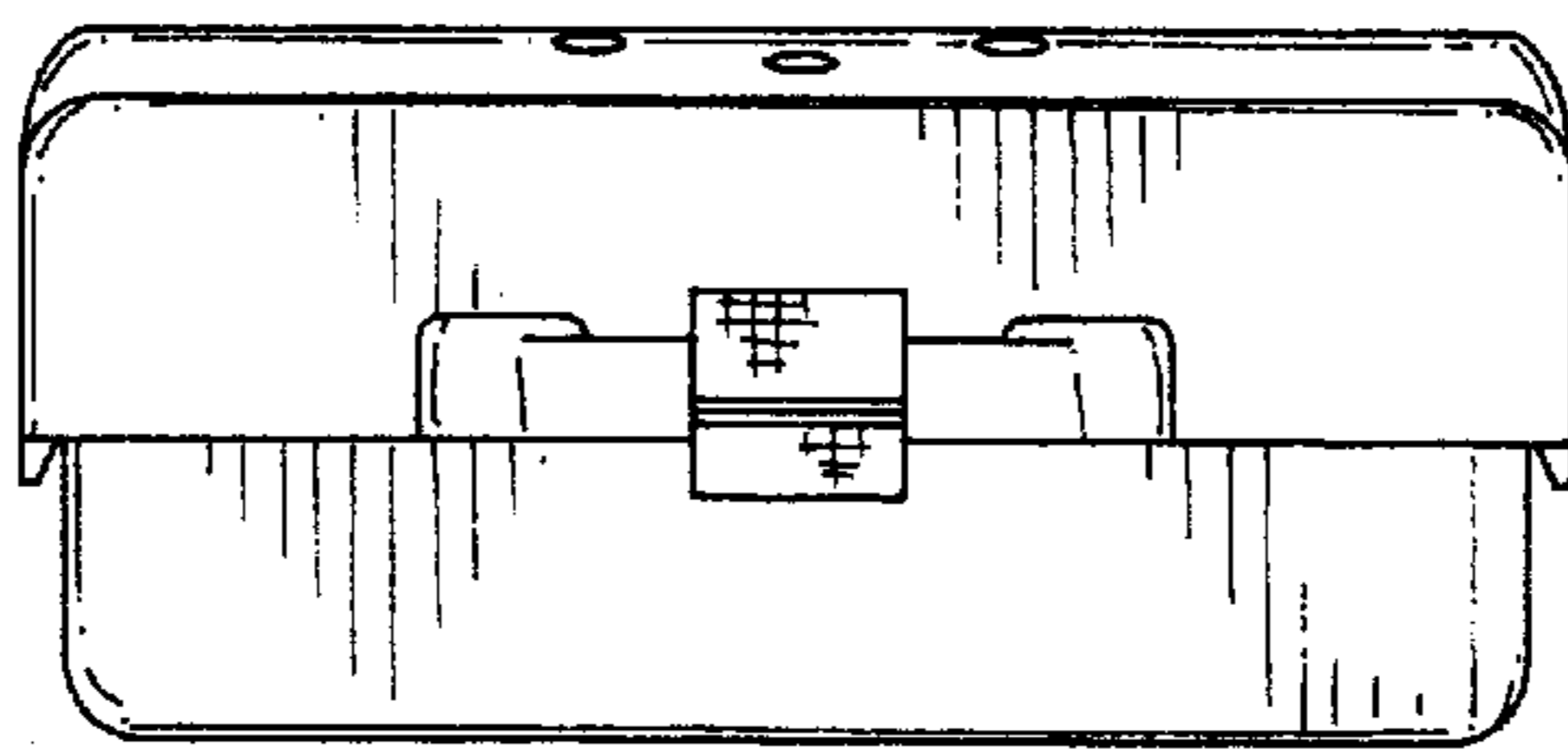


FIG. 5

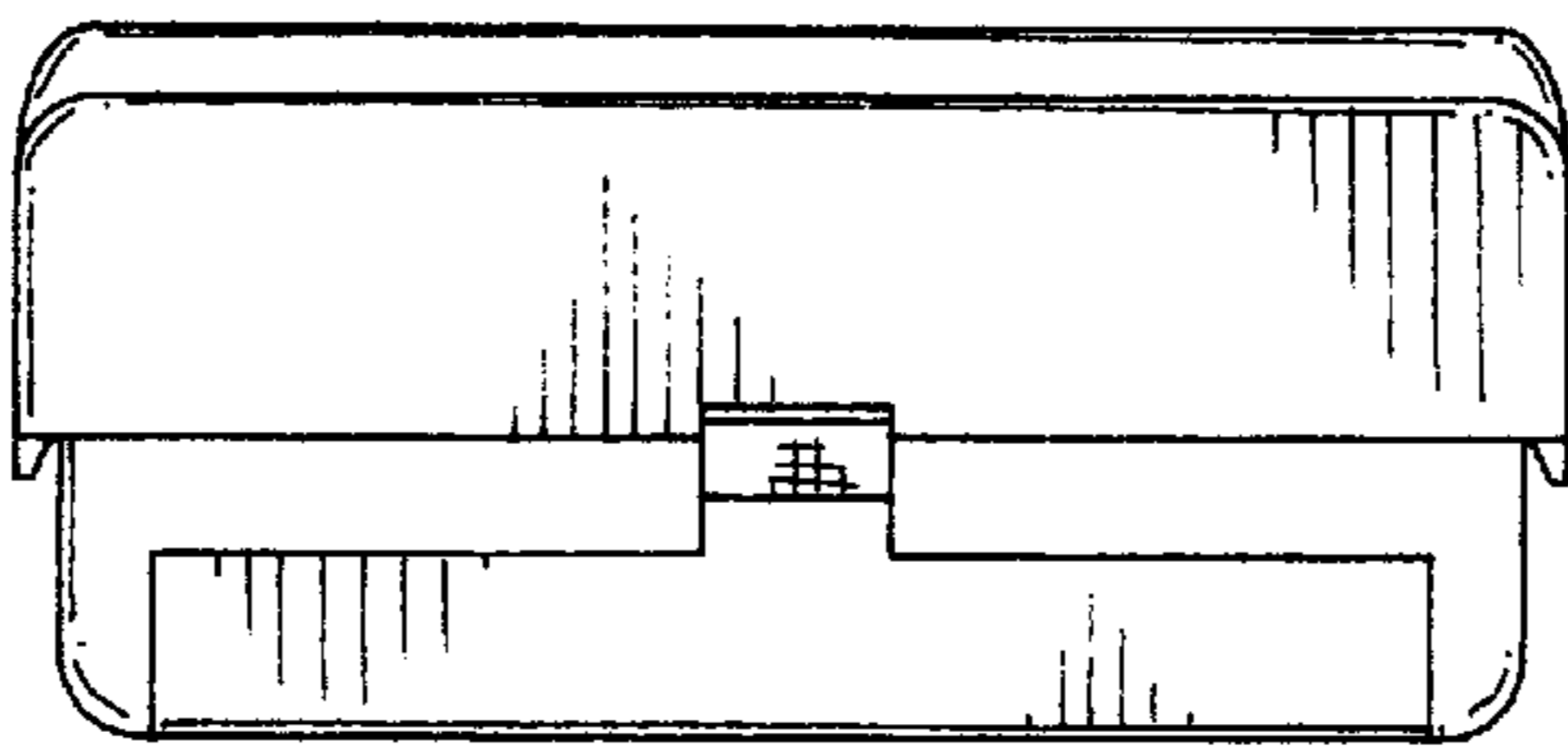


FIG. 6

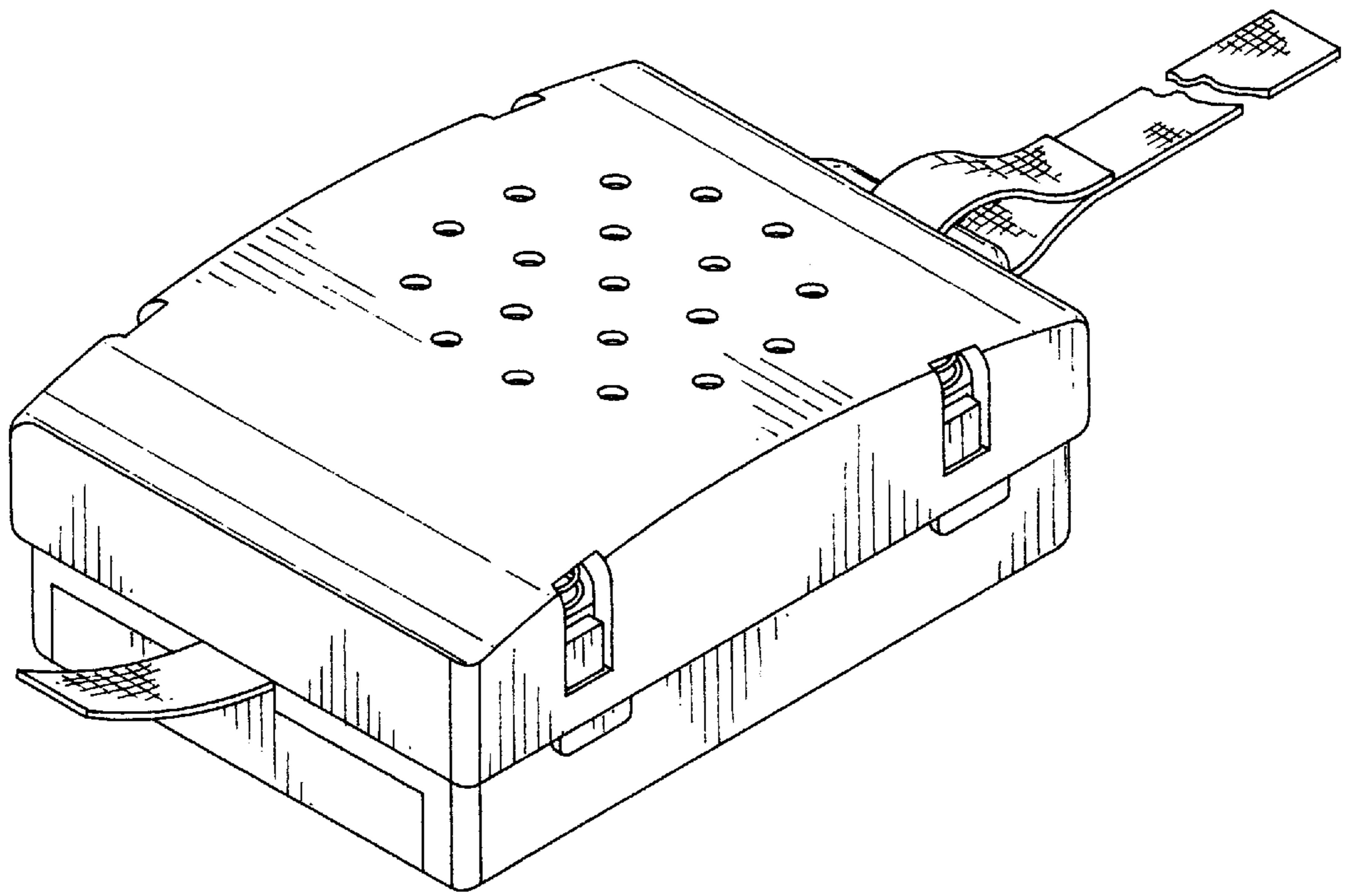


FIG. 7