



US00D404324S

# United States Patent [19]

Seager et al.

[11] Patent Number: Des. 404,324

[45] Date of Patent: \*\*Jan. 19, 1999

[54] HOUSING FOR A PORTABLE GAS ANALYZER

5,356,594 10/1994 Neel et al. .... 422/54

[75] Inventors: **Richard H. Seager**, Mystic, Conn.;  
**Norman P. Bridges**, Cedar Park, Tex.;  
**Robert E. Johnson**, Pembroke, Mass.

*Primary Examiner*—Antoine Duval Davis  
*Attorney, Agent, or Firm*—Jules Jay Morris; David Barron;  
Terrence Martin

[73] Assignee: **The Foxboro Company**, Foxboro, Mass.

[57] CLAIM

[\*\*] Term: 14 Years

The ornamental design for a housing for a portable gas analyzer, as shown and described.

[21] Appl. No.: 61,581

DESCRIPTION

[22] Filed: Oct. 25, 1996

FIG. 1 is a perspective view of a housing for a portable gas analyzer embodying our new design;  
FIG. 2 is a front elevational view thereof;  
FIG. 3 is a top plan view thereof;  
FIG. 4 is a left side elevational view thereof;  
FIG. 5 is a right side elevational view thereof;  
FIG. 6 is a rear elevational view thereof;  
FIG. 7 is a bottom plan view thereof; and,  
FIG. 8 is a perspective view of the housing as positioned for use by an operator.

[51] LOC (6) Cl. .... 10-04

[52] U.S. Cl. .... D10/81; D10/78

[58] Field of Search ..... D10/78, 81; 73/23.35,  
73/31.02, 61.52, 61.58; 436/151, 154, 161,  
153, 175, 177; 422/70, 89, 98, 104

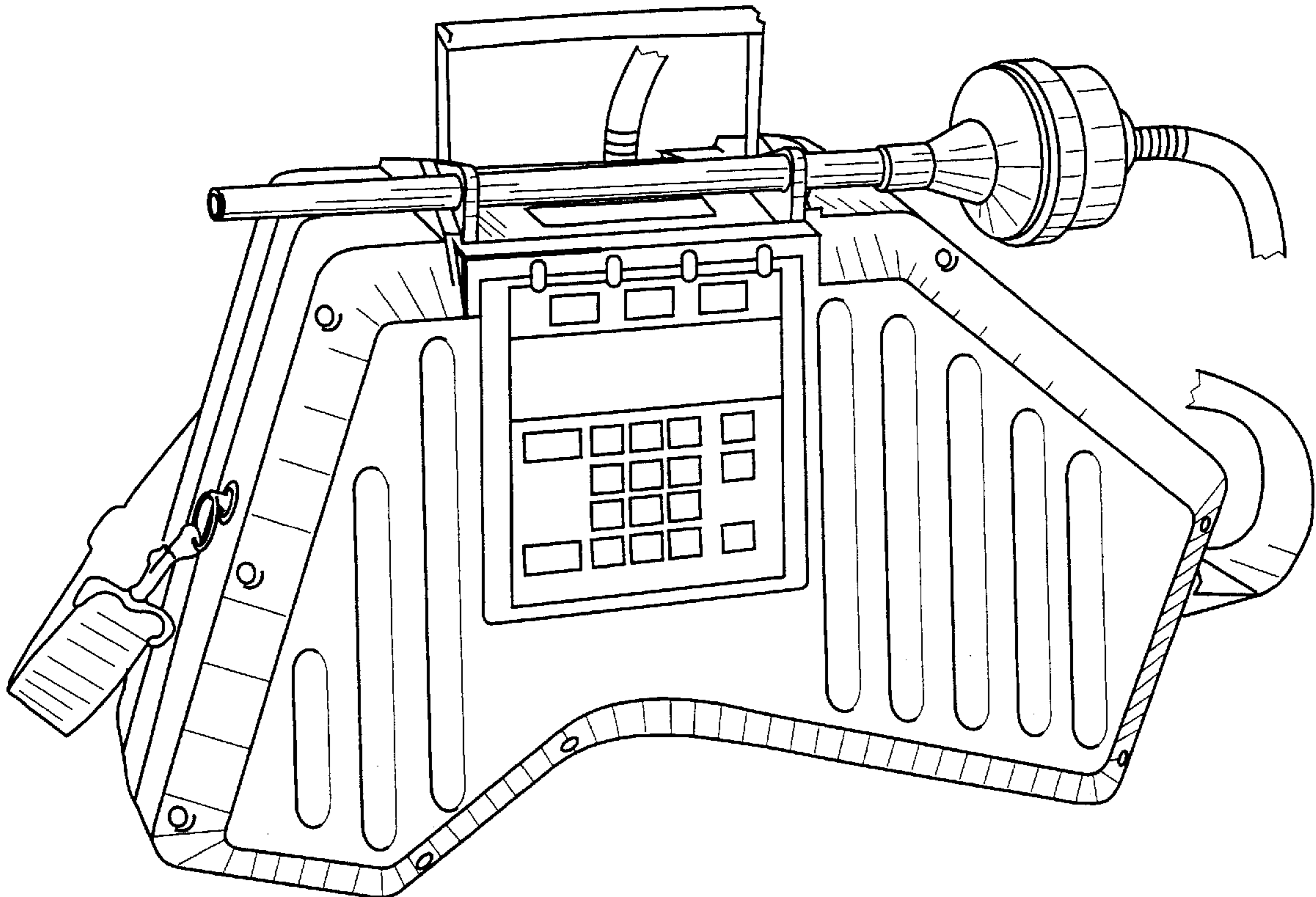
Objects shown in broken lines shown in FIG. 8 are for illustrative purposes only and form no part of the claimed design.

[56] References Cited

U.S. PATENT DOCUMENTS

- D. 332,059 12/1992 Kling, III et al. .... D10/78
- D. 367,234 2/1996 Henney et al. .... D10/81

1 Claim, 7 Drawing Sheets



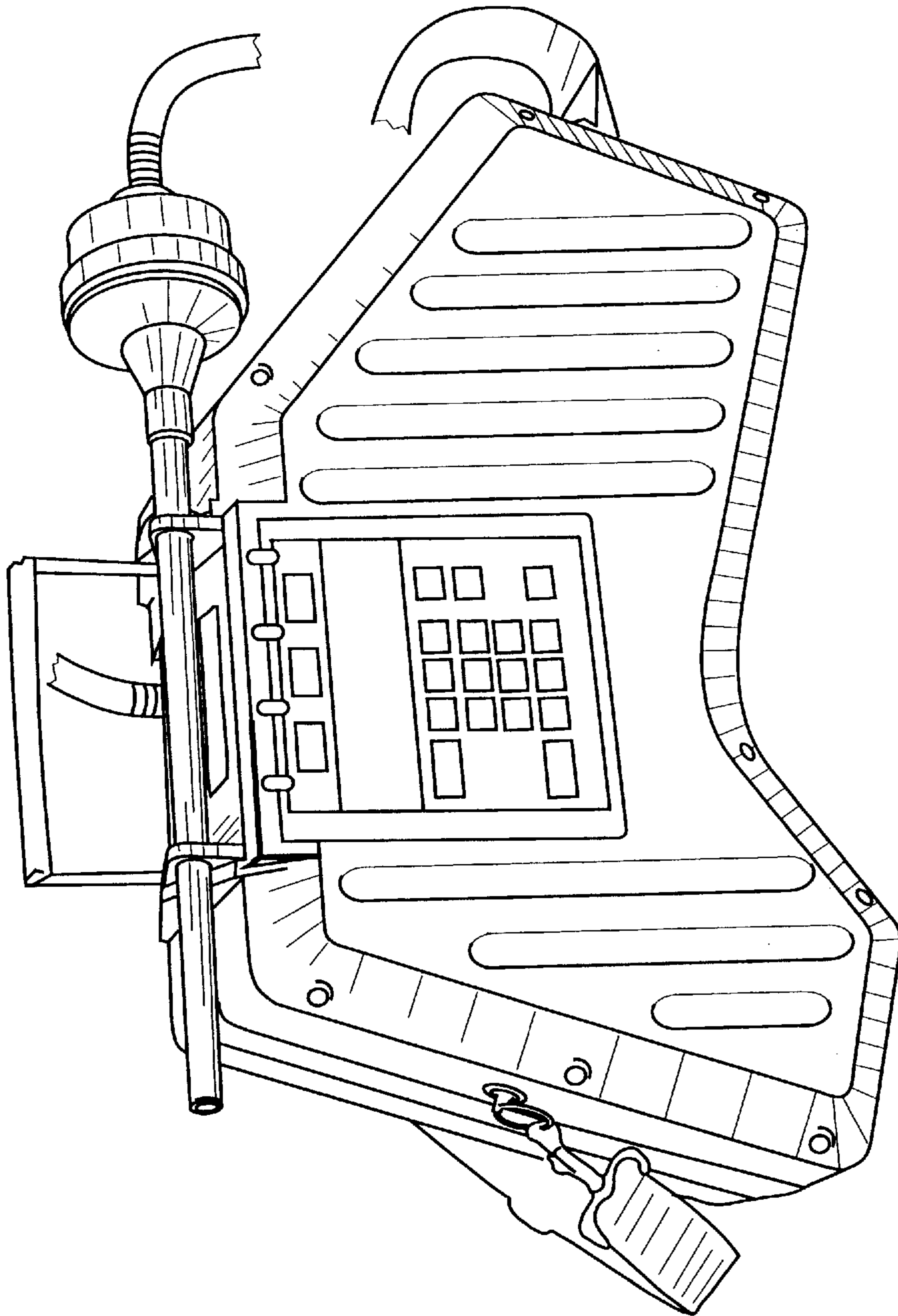


FIGURE 1

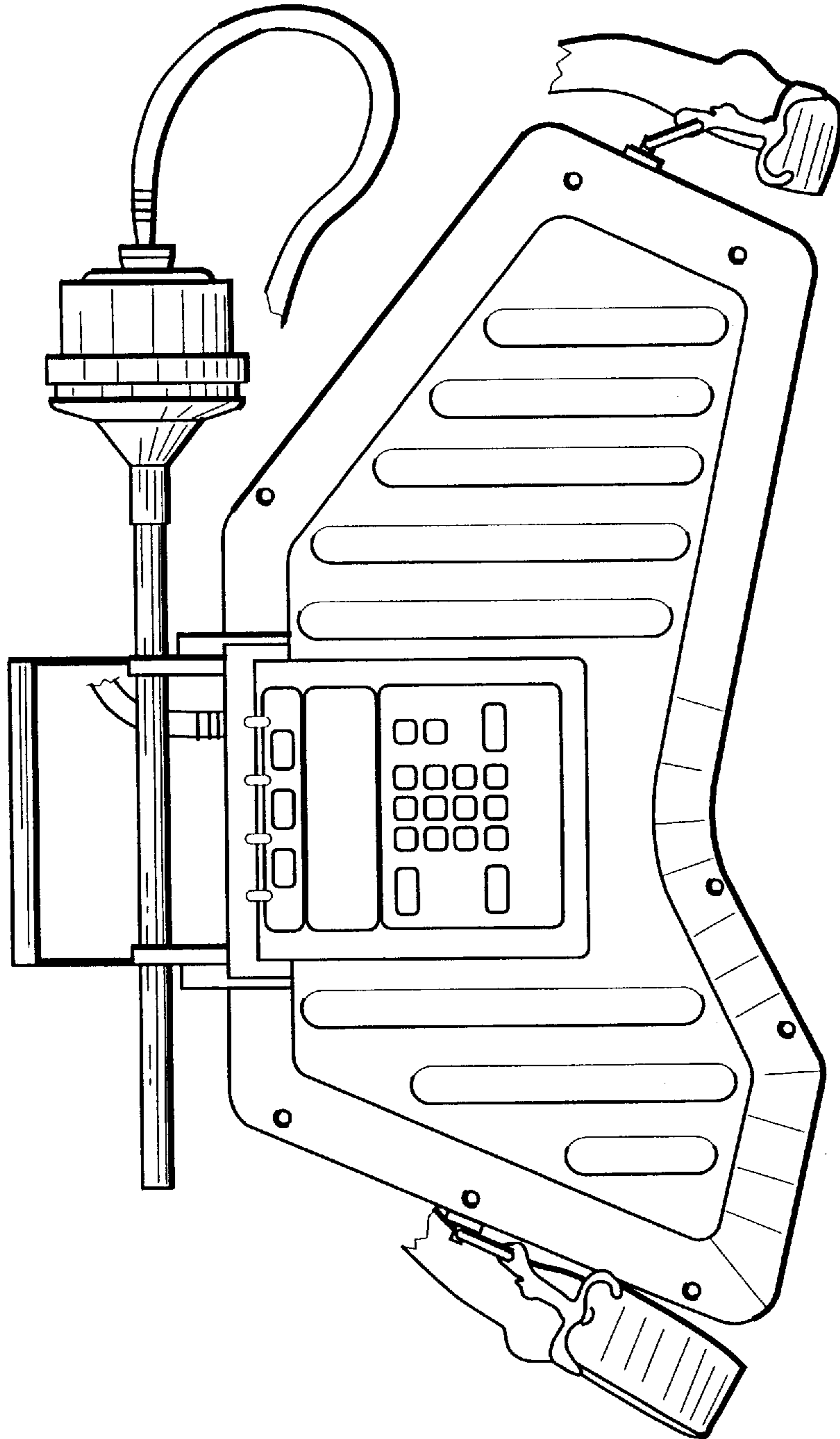


FIGURE 2

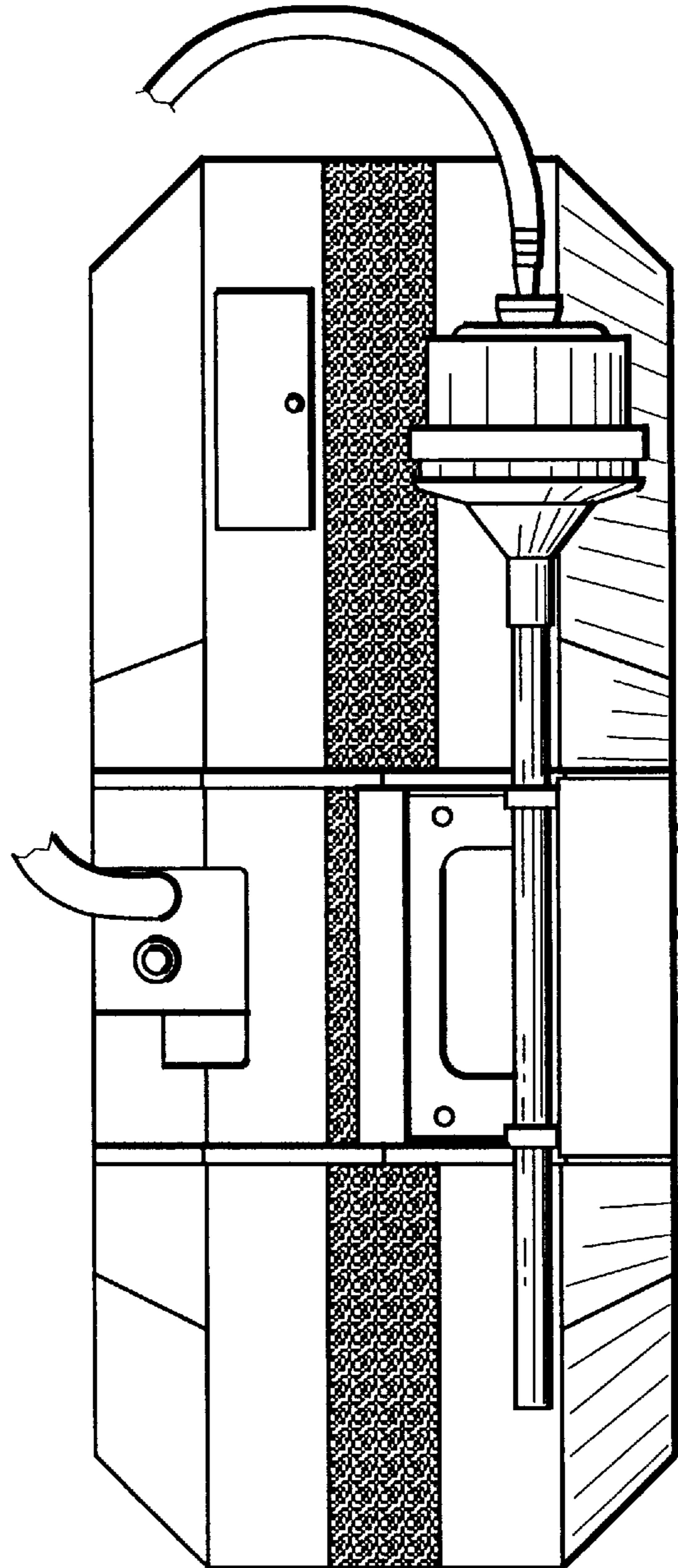


FIGURE 3



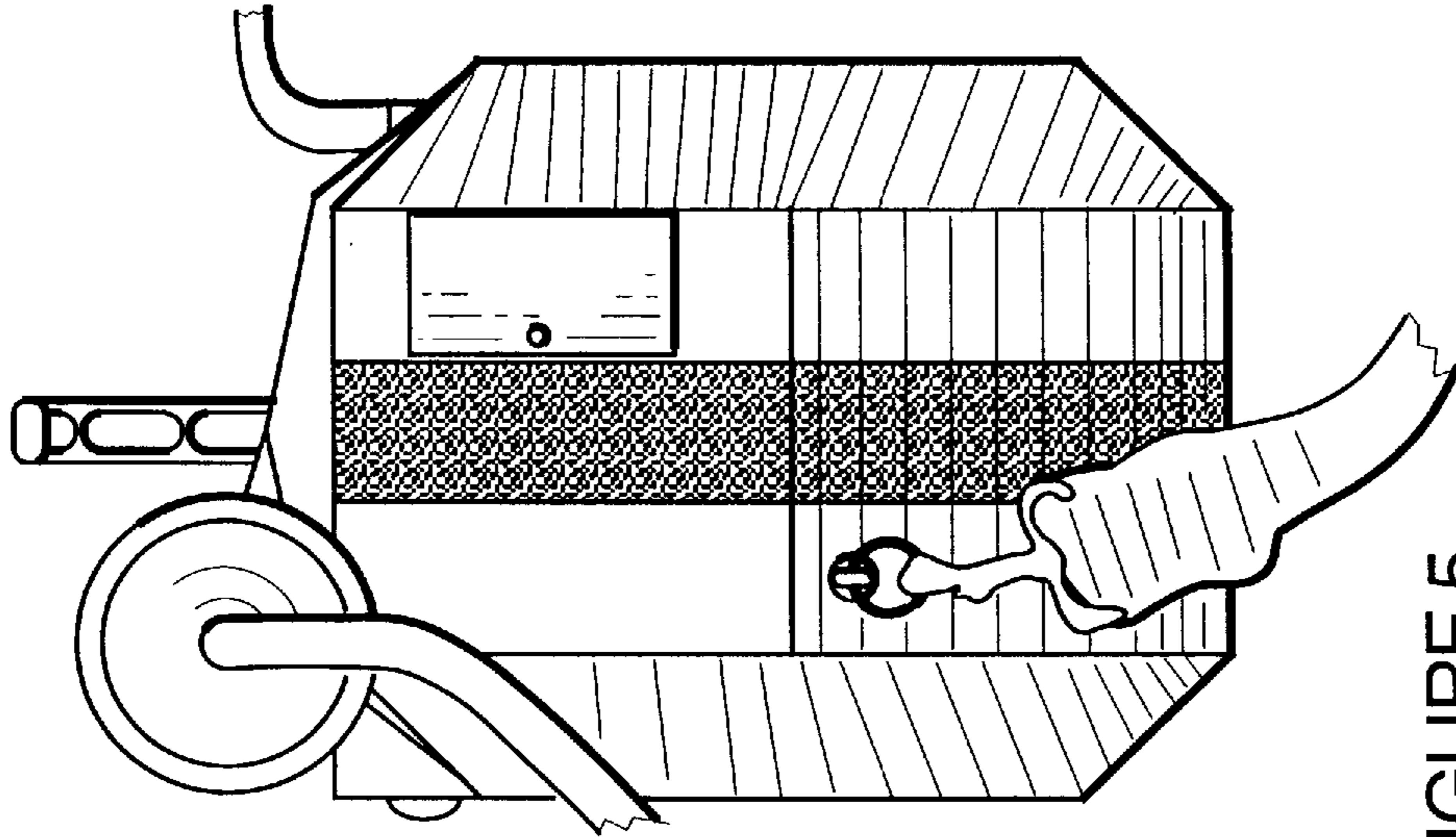


FIGURE 5

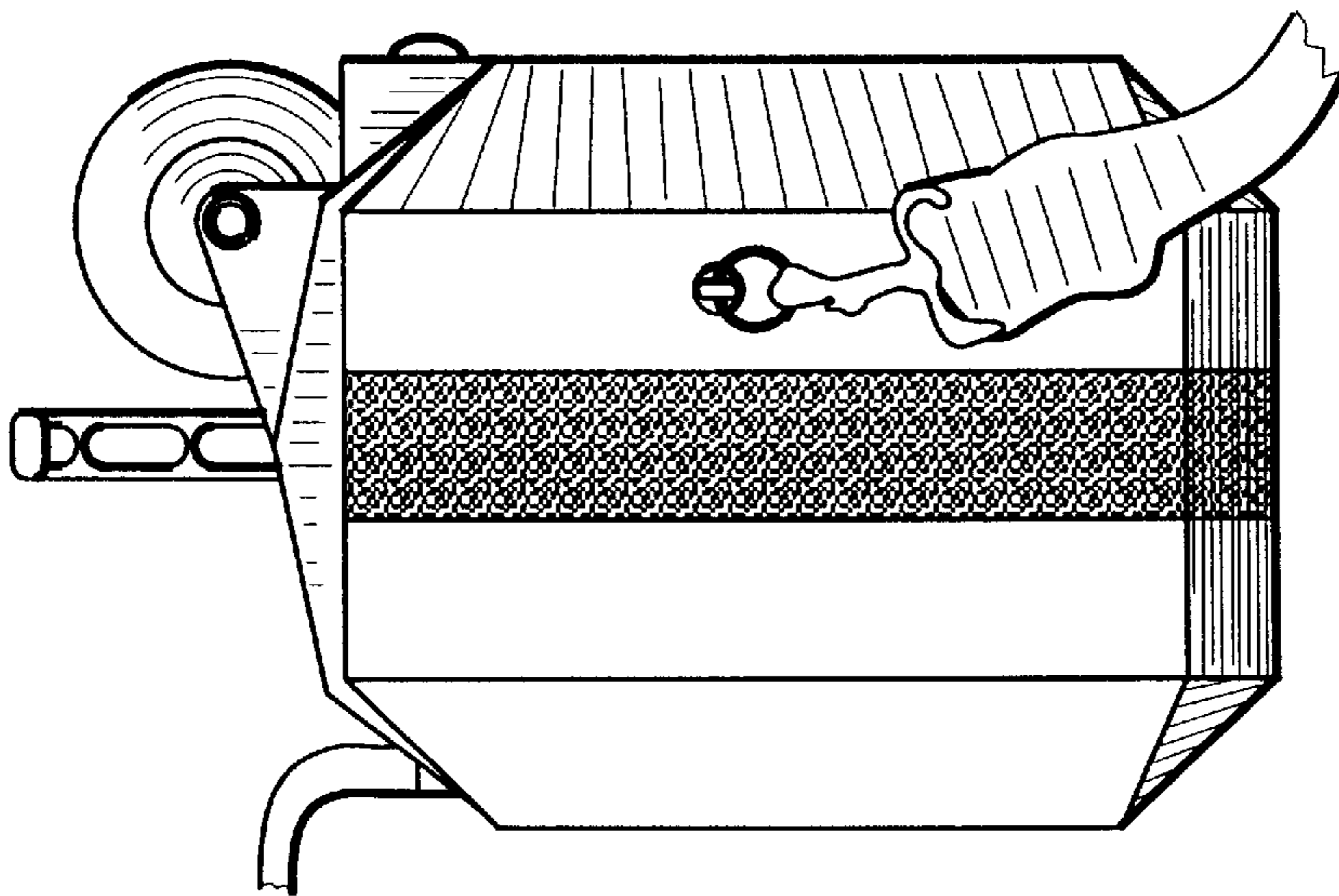


FIGURE 4

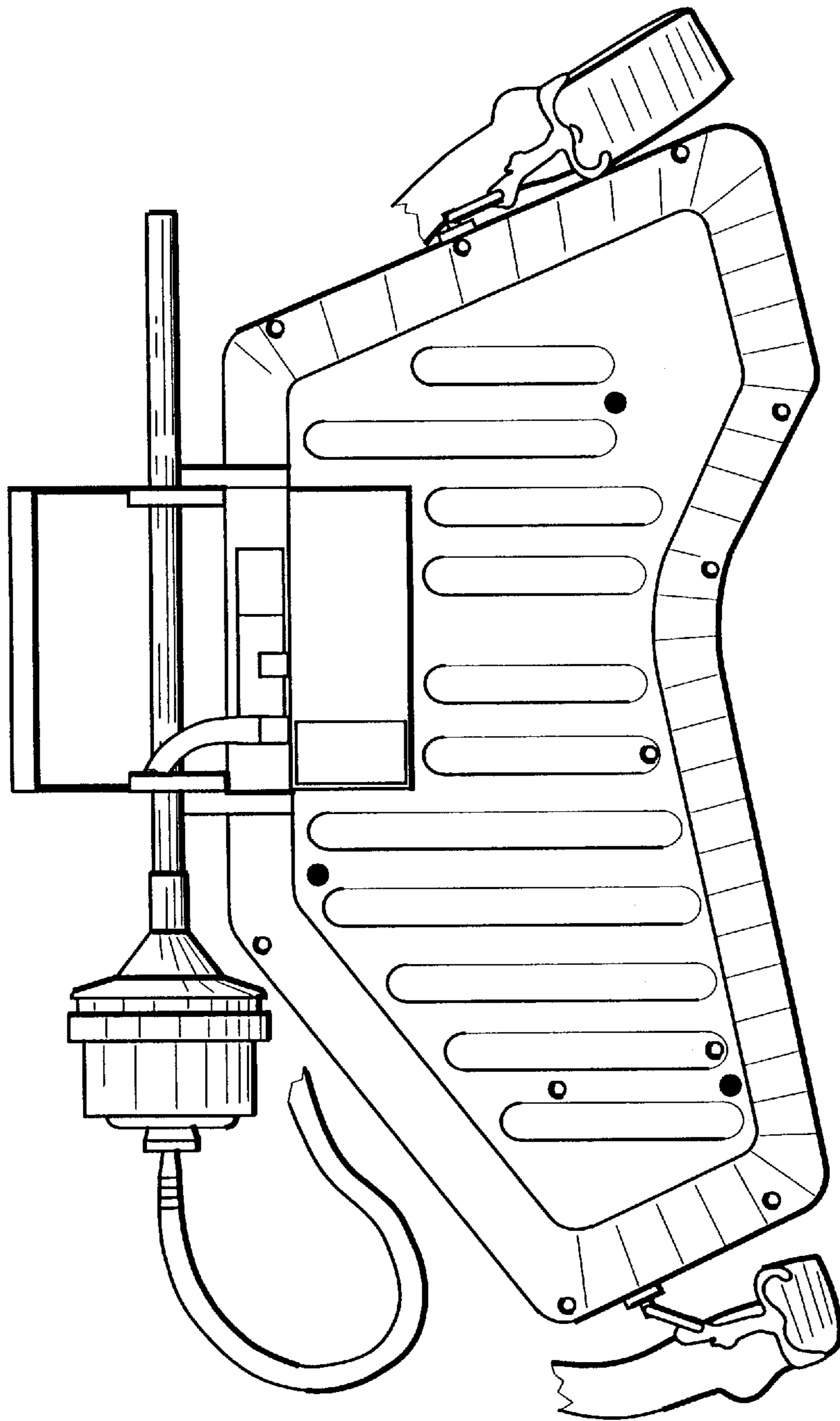


FIGURE 6

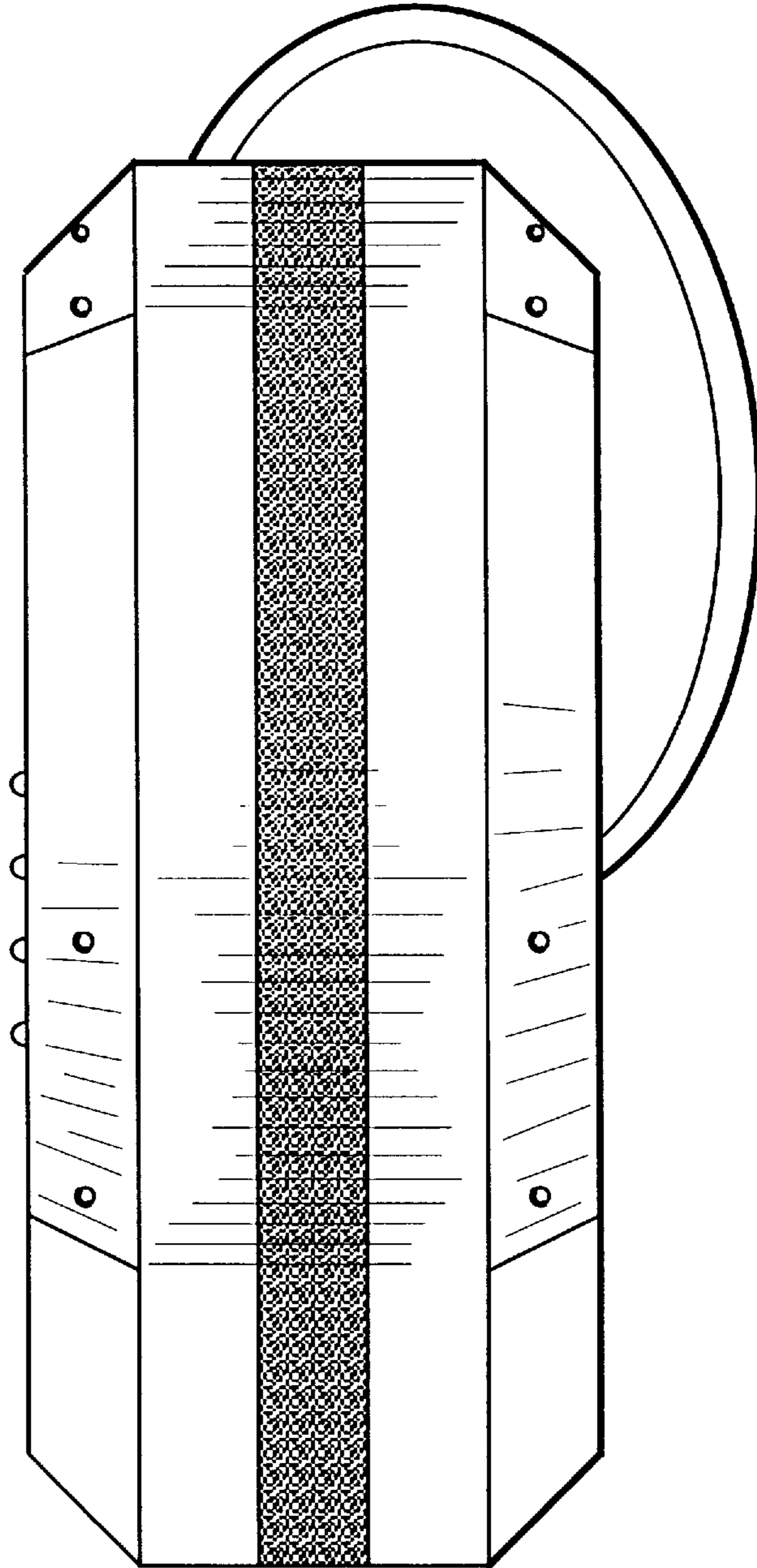


FIGURE 7

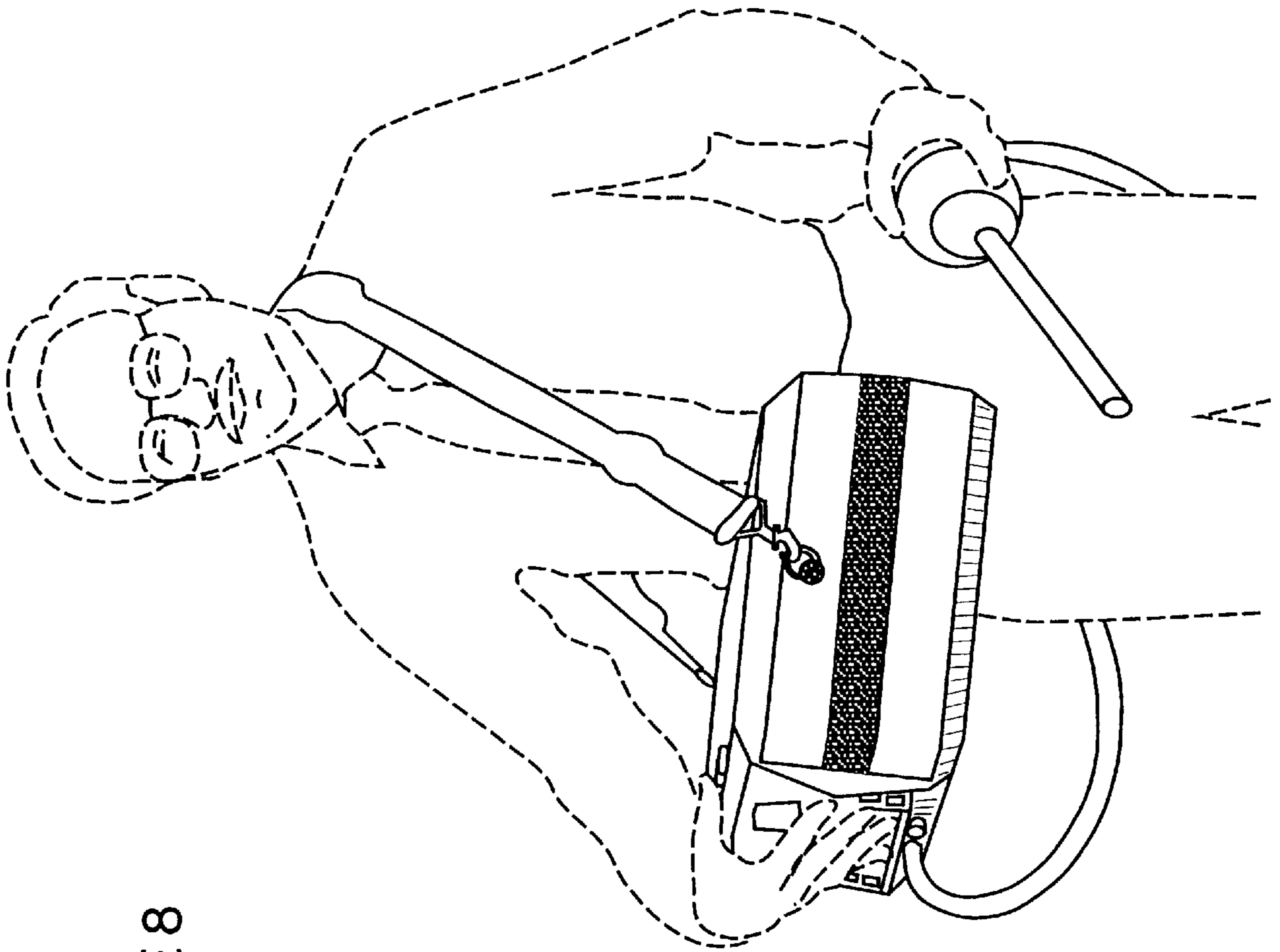


FIGURE 8