



US00D404323S

United States Patent [19] Jackson

[11] **Patent Number: Des. 404,323**

[45] **Date of Patent: **Jan. 19, 1999**

[54] **WIRE PULLING APPARATUS**

5,423,516 6/1995 Blaha 254/134.3 FT

[76] Inventor: **Arthur D Jackson**, 145 Throckmorton St., Freehold, N.J. 07728

Primary Examiner—Philip S. Hyder
Assistant Examiner—Richelle Shelton

[**] Term: **14 Years**

[57] **CLAIM**

[21] Appl. No.: **72,323**

The ornamental design for a wire pulling apparatus, as shown.

[22] Filed: **Jun. 12, 1997**

DESCRIPTION

[51] **LOC (6) Cl.** **10-04**

[52] **U.S. Cl.** **D10/72; D8/14**

[58] **Field of Search** D8/14, 51; D10/72;
33/769; 242/397.4, 405.3; 254/134.3 R,
134.3 FT

FIG. 1 is a front elevational view of the wire pulling apparatus of the present invention;
FIG. 2 is a back elevational view of the wire pulling apparatus of FIG. 1;
FIG. 3 is a left side elevational view of the wire pulling apparatus of FIG. 1;
FIG. 4 is a right side elevational view of the wire pulling apparatus of FIG. 1;
FIG. 5 is a top plan view of the wire pulling apparatus of FIG. 1; and,
FIG. 6 is a bottom plan view of the wire pulling apparatus of FIG. 1.

[56] **References Cited**

U.S. PATENT DOCUMENTS

D. 351,561	10/1994	Moffatt et al.	D10/72
3,078,058	2/1963	Roe	242/405.3 X
3,528,644	9/1970	Scott	254/134.3 R
4,092,780	6/1978	Trethewey et al.	254/134.3 FT X
5,110,092	5/1992	Blaha et al.	254/134.3 FT

1 Claim, 3 Drawing Sheets

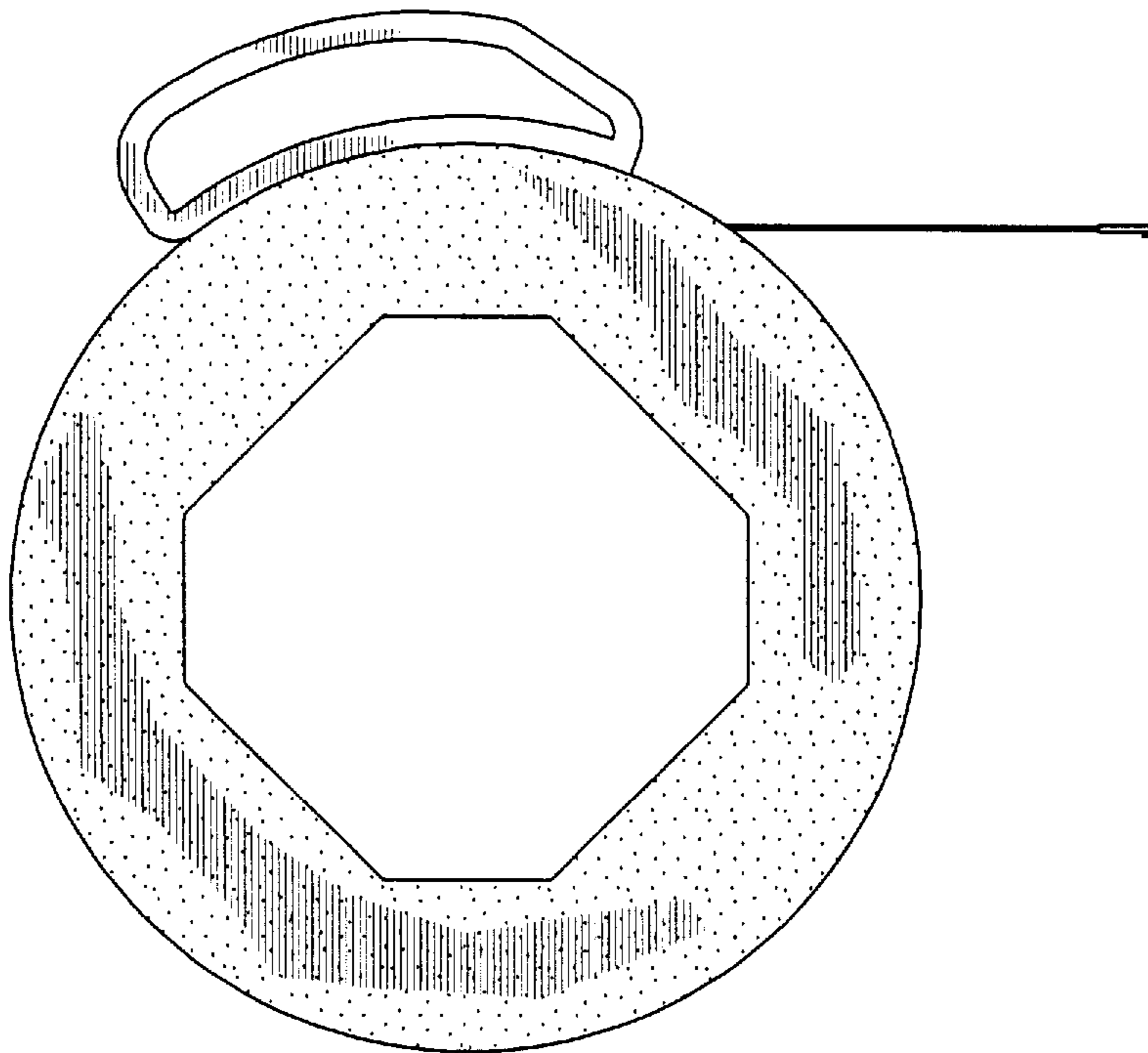


FIG. 1

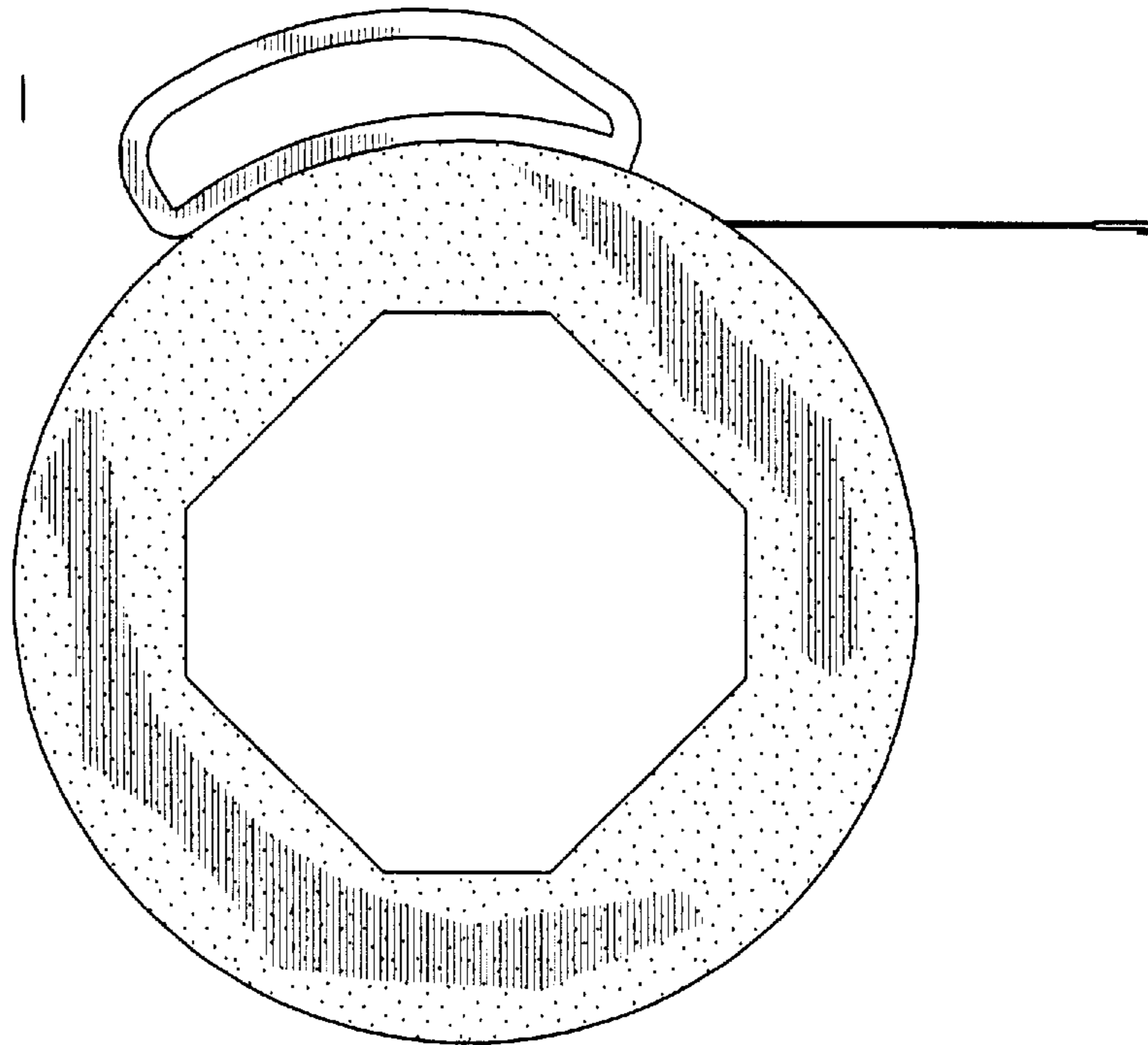


FIG. 2

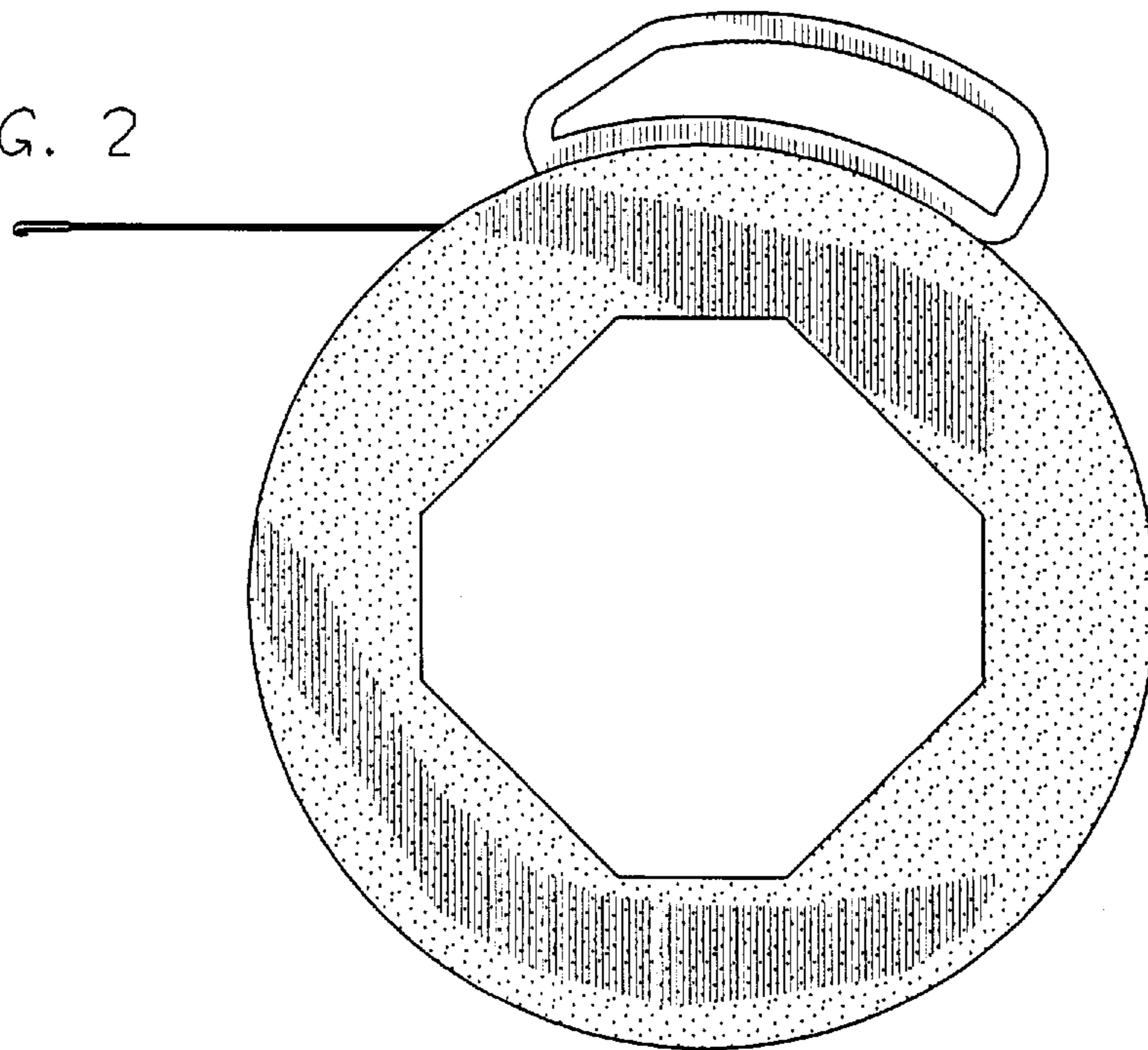


FIG. 3

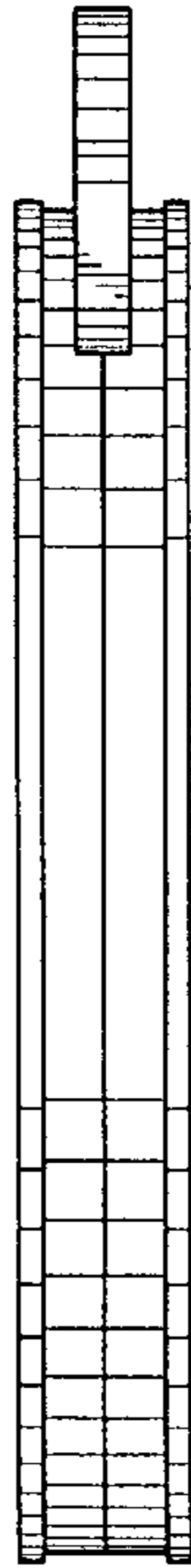


FIG. 4

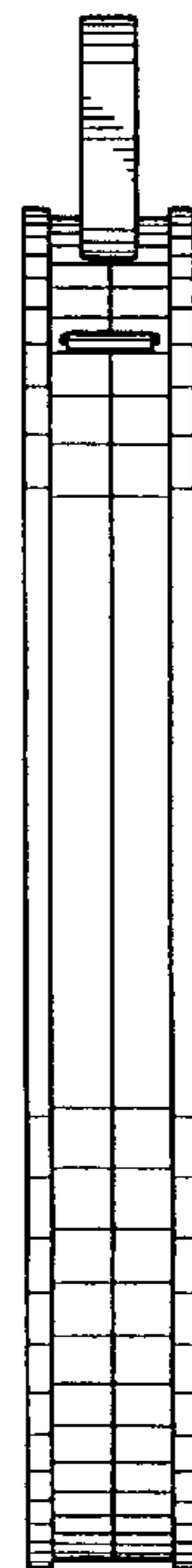


FIG. 5



FIG. 6

