



US00D404317S

United States Patent [19] Cameron

[11] **Patent Number: Des. 404,317**

[45] **Date of Patent: **Jan. 19, 1999**

[54] **BOTTLE MOUNTED TIMER**

Primary Examiner—Nelson C. Holtje

[76] Inventor: **Bernice M Cameron**, 12303 E. 221st St., Hawaiian Gardens, Calif. 90716

[57] **CLAIM**

The ornamental design for a bottle mounted timer, as shown.

[**] Term: **14 Years**

DESCRIPTION

[21] Appl. No.: **83,138**

FIG. 1 is a top plan view of the bottle mounted timer of the present invention;

[22] Filed: **Feb. 5, 1998**

FIG. 2 is a bottom plan view of the bottle mounted timer of FIG. 1;

[51] **LOC (6) Cl. 10-03**

[52] **U.S. Cl. D10/30; D10/40**

FIG. 3 is a right side elevational view of the bottle mounted timer of FIG. 1;

[58] **Field of Search D10/30-39, 40, D10/57; 368/97-100, 107-121**

FIG. 4 is a left side elevational view of the bottle mounted timer of FIG. 1;

[56] **References Cited**

U.S. PATENT DOCUMENTS

- D. 242,605 12/1976 Van Kersen D10/57
- D. 252,136 6/1979 Khempka D10/57
- D. 265,724 8/1982 Khempka D10/57
- D. 377,452 1/1997 Boune D10/40

FIG. 5 is a front elevational view of the bottle mounted timer of FIG. 1; and,

FIG. 6 is a back elevational view of the bottle mounted timer of FIG. 1.

1 Claim, 3 Drawing Sheets

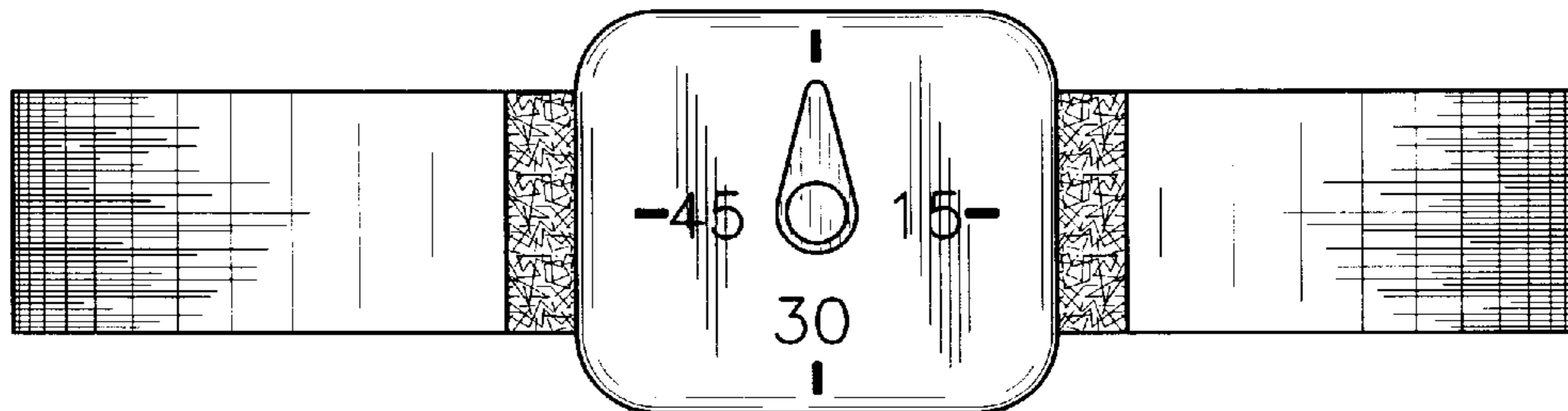


FIG. 1

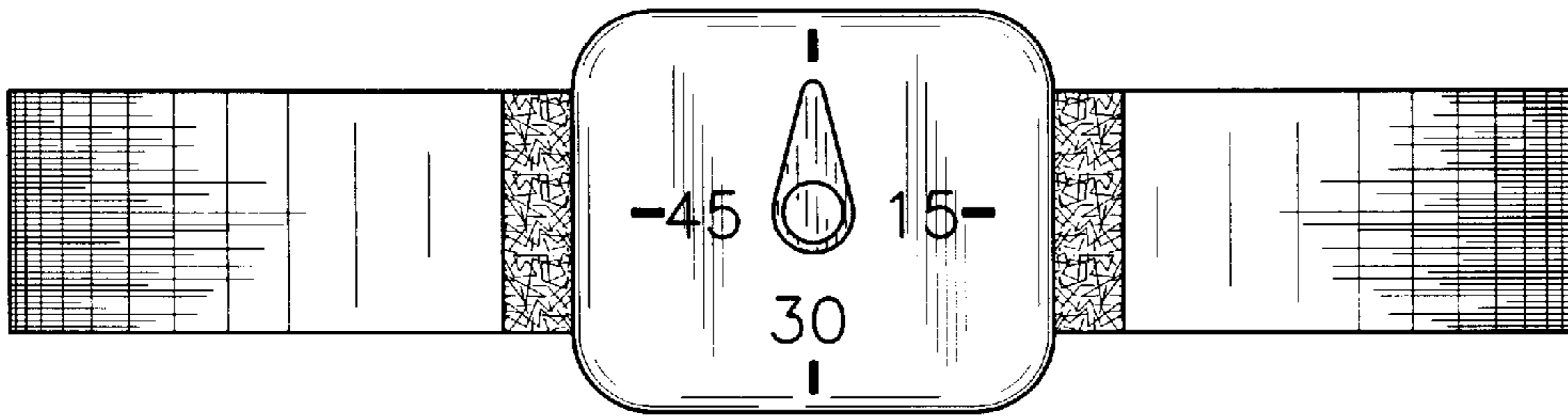


FIG. 2

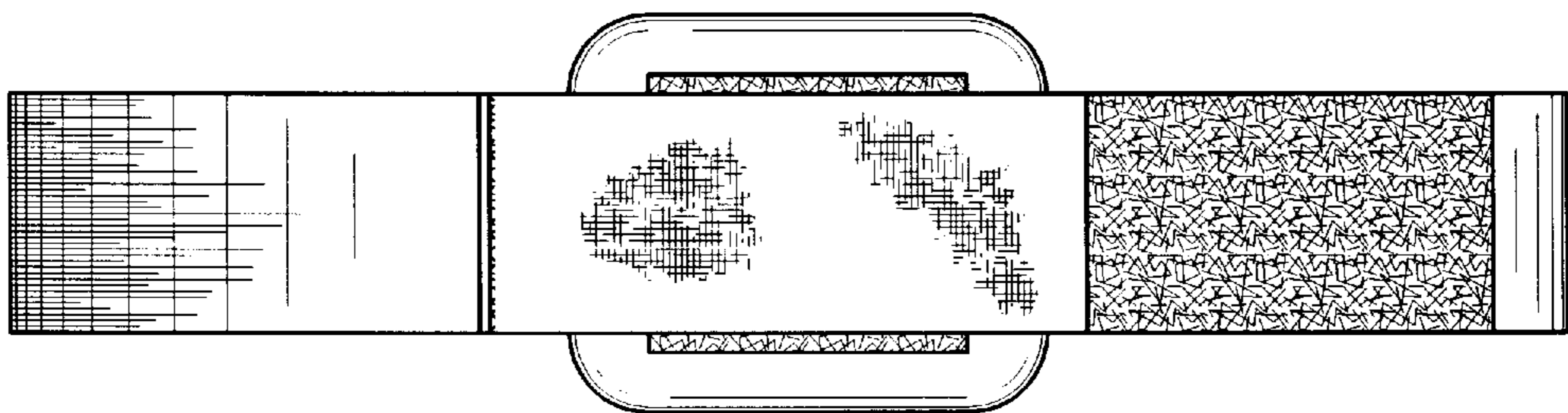


FIG. 3

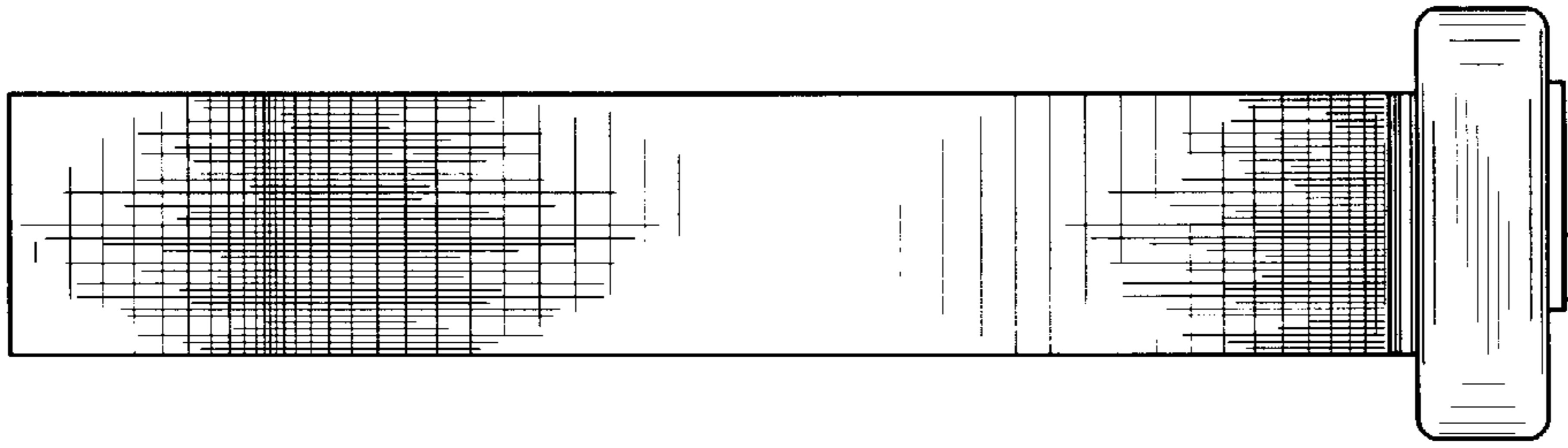


FIG. 4

