



US00D404316S

United States Patent [19]

[11] Patent Number: **Des. 404,316**

Azegami et al.

[45] Date of Patent: ****Jan. 19, 1999**

[54] **WATCHCASE**

[75] Inventors: **Hitoshi Azegami; Toshiaki Kume**, both of Chiba, Japan

[73] Assignee: **Seiko Instruments Inc.**, Japan

[**] Term: **14 Years**

[21] Appl. No.: **78,682**

[22] Filed: **Oct. 29, 1997**

[30] **Foreign Application Priority Data**

Sep. 11, 1997 [JP] Japan 9-67475

[51] **LOC (6) Cl.** **10-02**

[52] **U.S. Cl.** **D10/30; D10/38**

[58] **Field of Search** D10/1-40, 122-132; 368/280-282, 276-277, 28-30, 285, 239-242, 82-84, 41-44

[56] **References Cited**

U.S. PATENT DOCUMENTS

D. 237,784	11/1975	Crane	D10/38
D. 244,086	4/1977	Lawrence	D10/38
D. 245,674	9/1977	Sulek	D10/38
D. 251,829	5/1979	Sulek	D10/32
D. 255,224	6/1980	Sulek	D10/38

D. 386,692	11/1997	Kume	D10/30
D. 391,496	3/1998	Azegami	D10/30
D. 391,497	3/1998	Kume	D10/30
D. 391,498	3/1998	Kume	D10/30

OTHER PUBLICATIONS

Swiss Watch & Jewelry Journal—Mar. 1977—p. 352—Watches 5A+JB At lower-right.

Primary Examiner—Nelson C. Holtje
Attorney, Agent, or Firm—Adams & Wilks

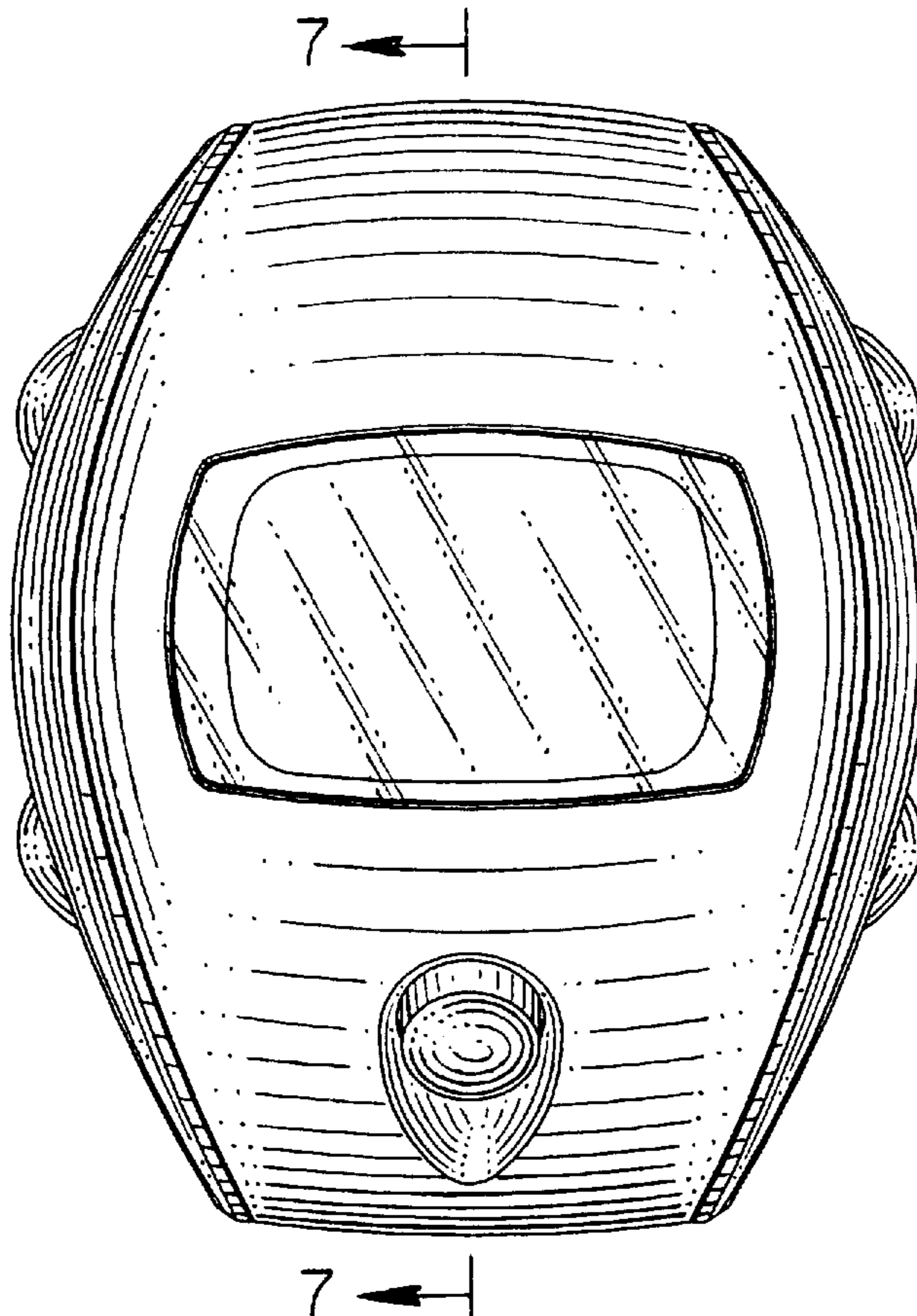
[57] **CLAIM**

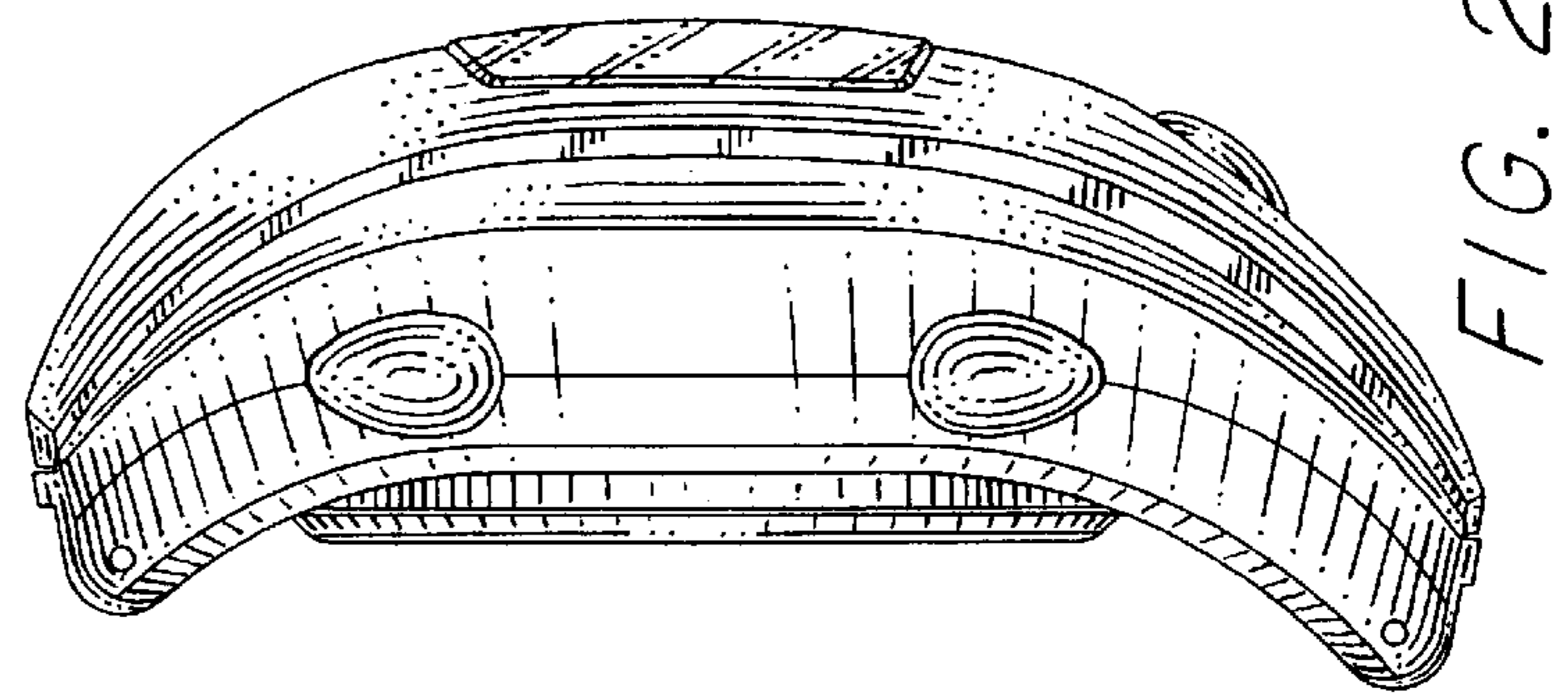
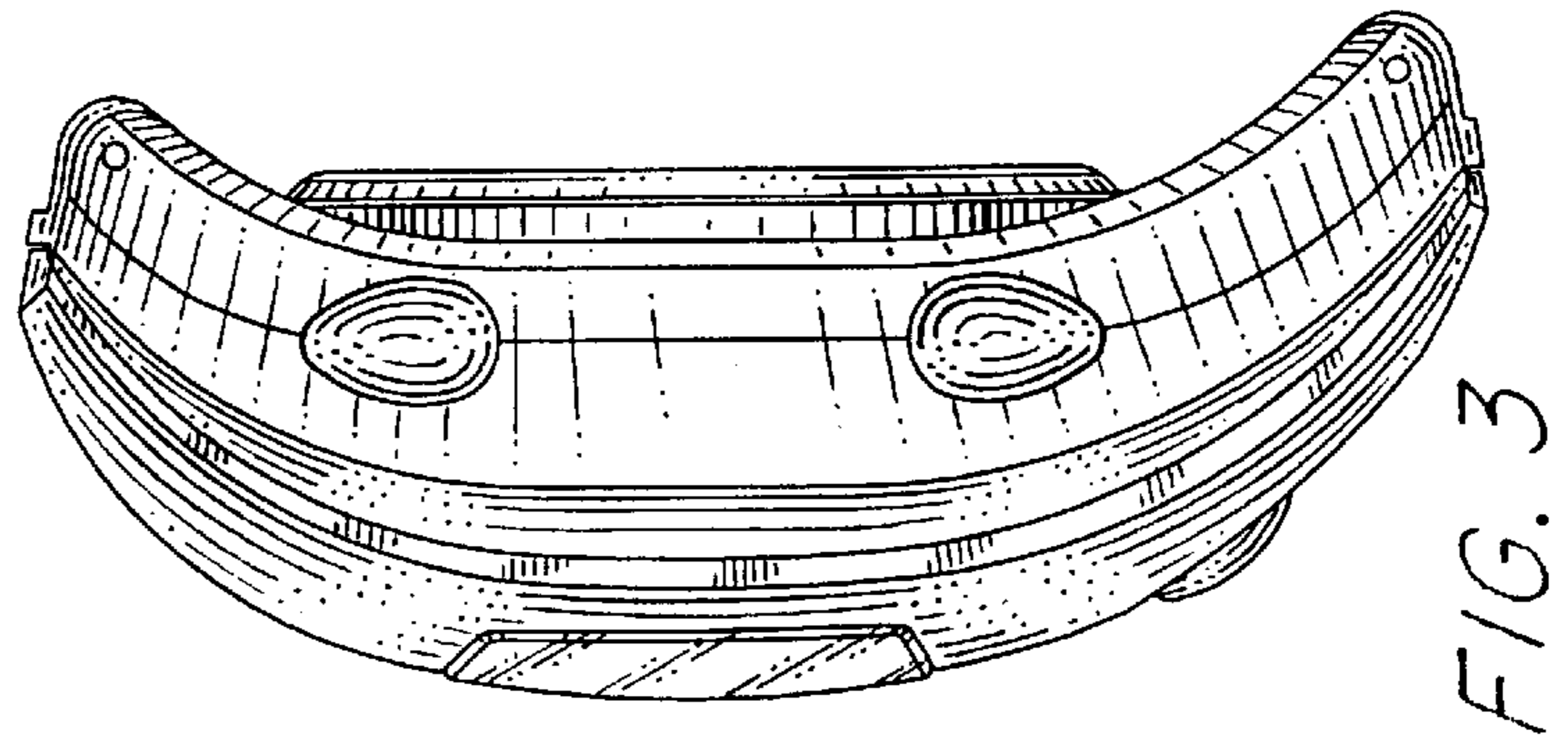
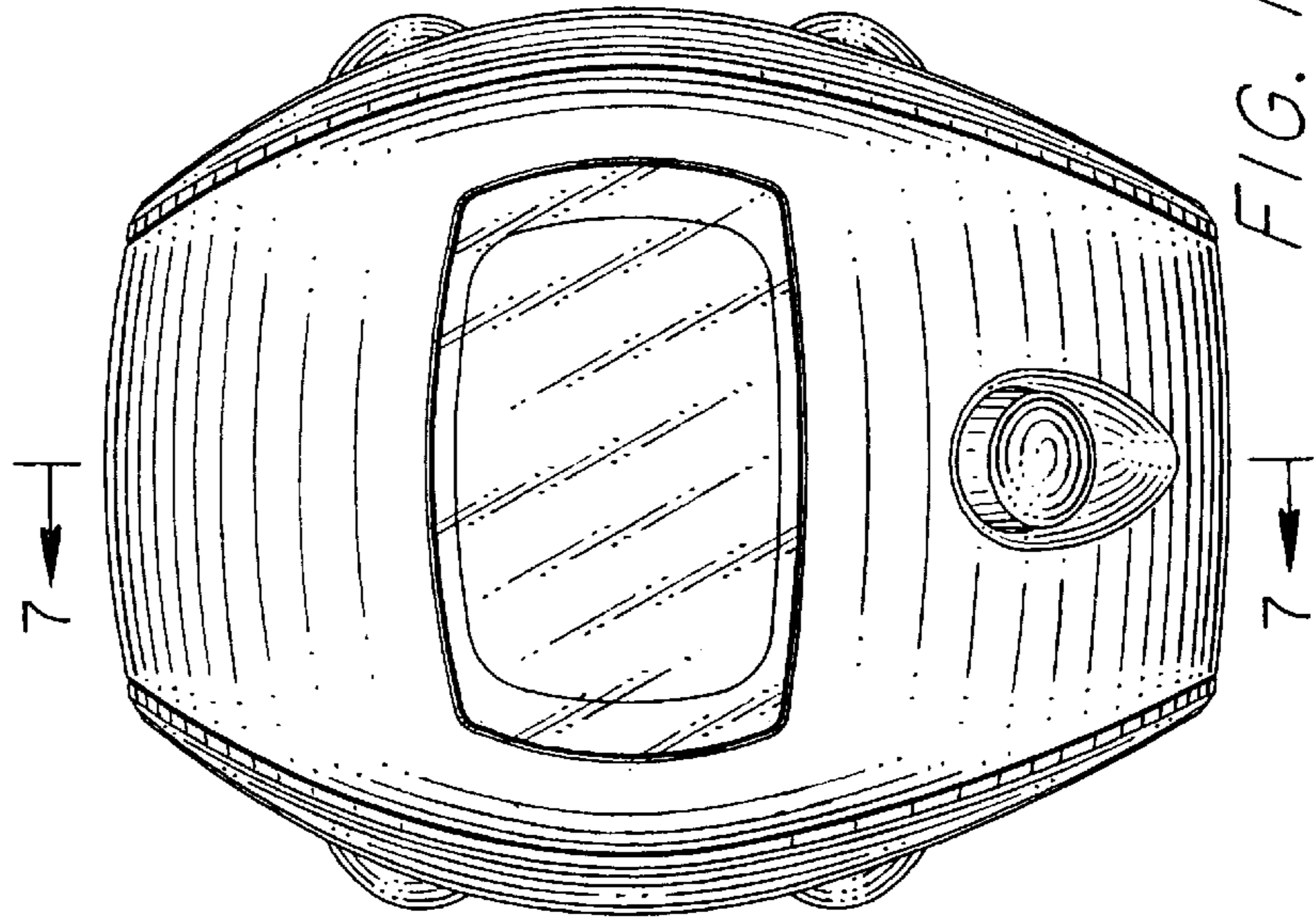
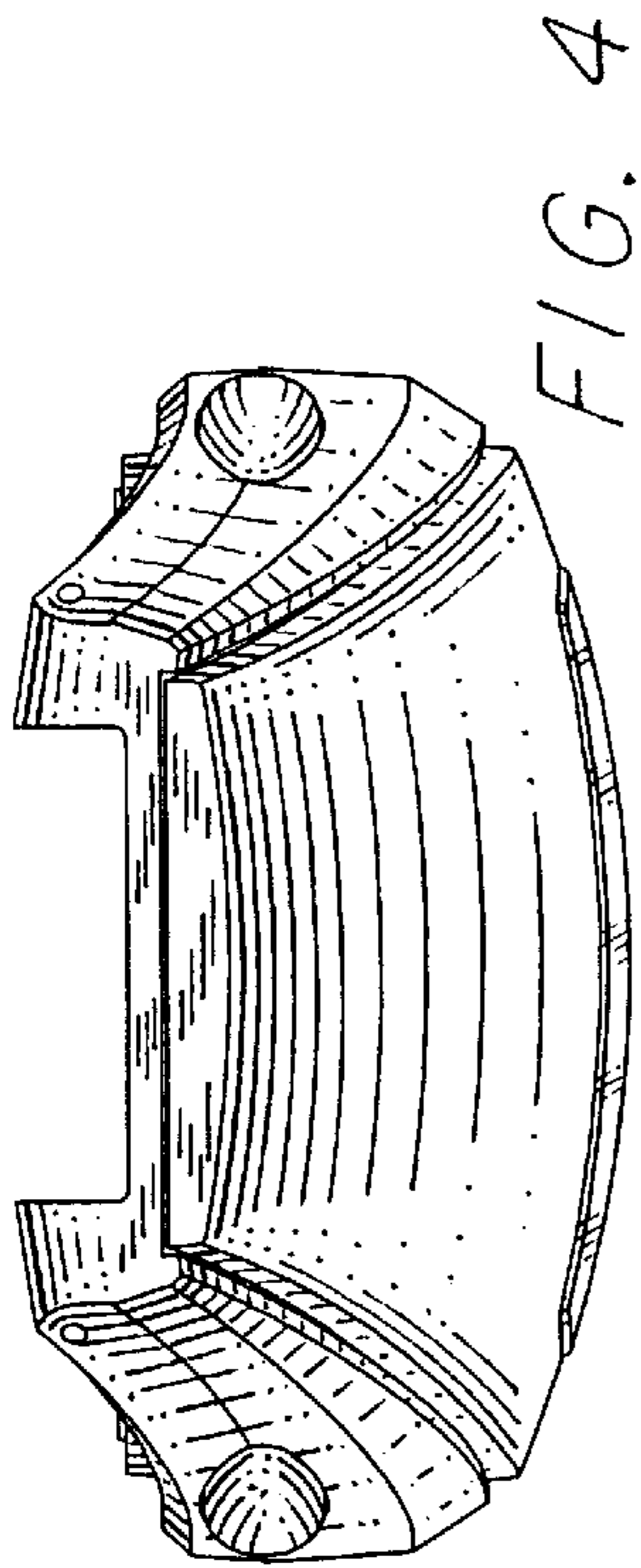
The ornamental design for a watchcase, as shown and described.

DESCRIPTION

FIG. 1 is a front elevational view of a watchcase showing our new design;
FIG. 2 is a left elevational view thereof;
FIG. 3 is a right elevational view thereof;
FIG. 4 is a top plan view thereof;
FIG. 5 is a bottom plan view thereof;
FIG. 6 is a rear elevational view thereof; and,
FIG. 7 is a verticle cross-sectional view thereof taken along line 7—7 of FIG. 1.

1 Claim, 2 Drawing Sheets





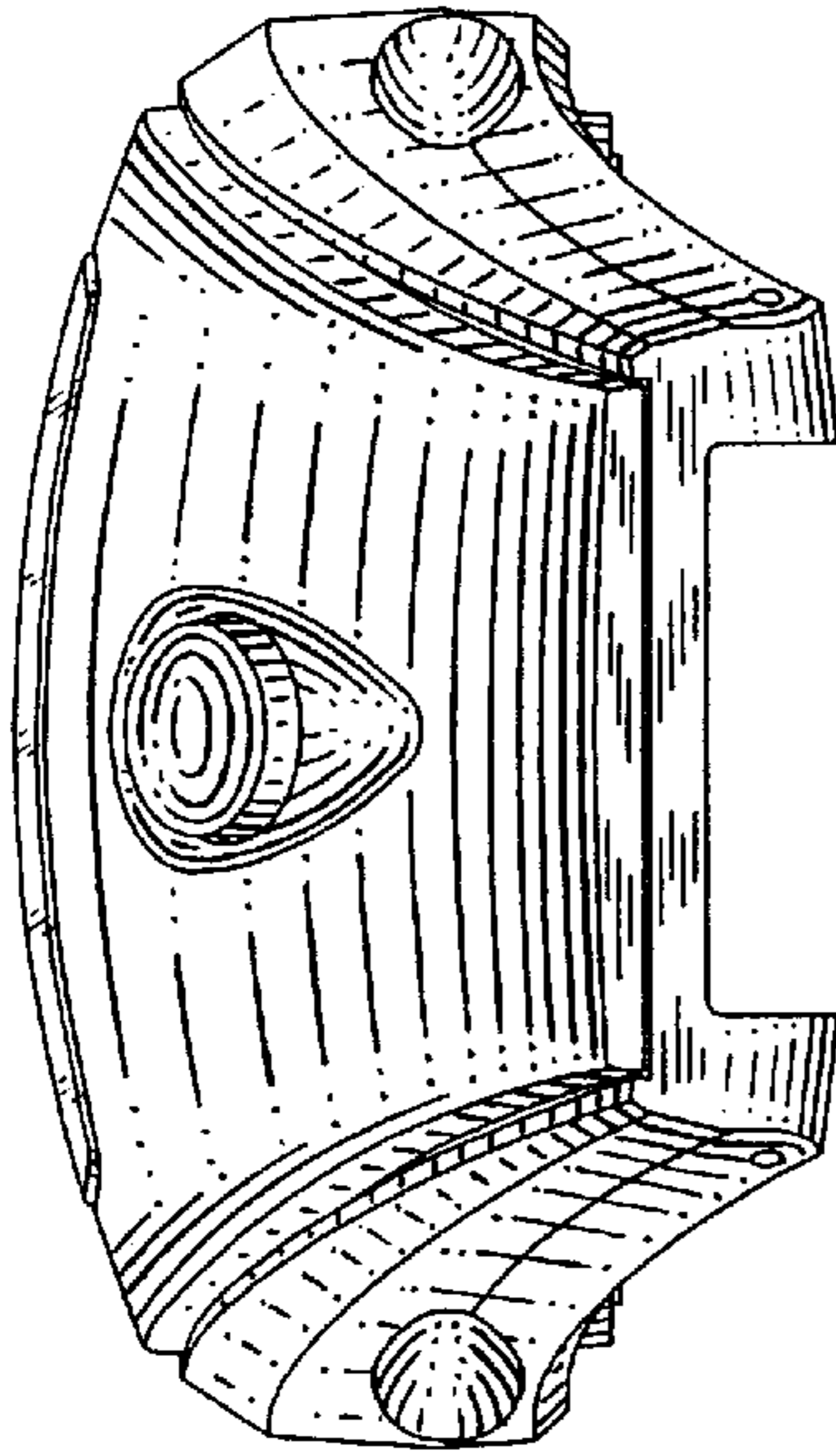


FIG. 5

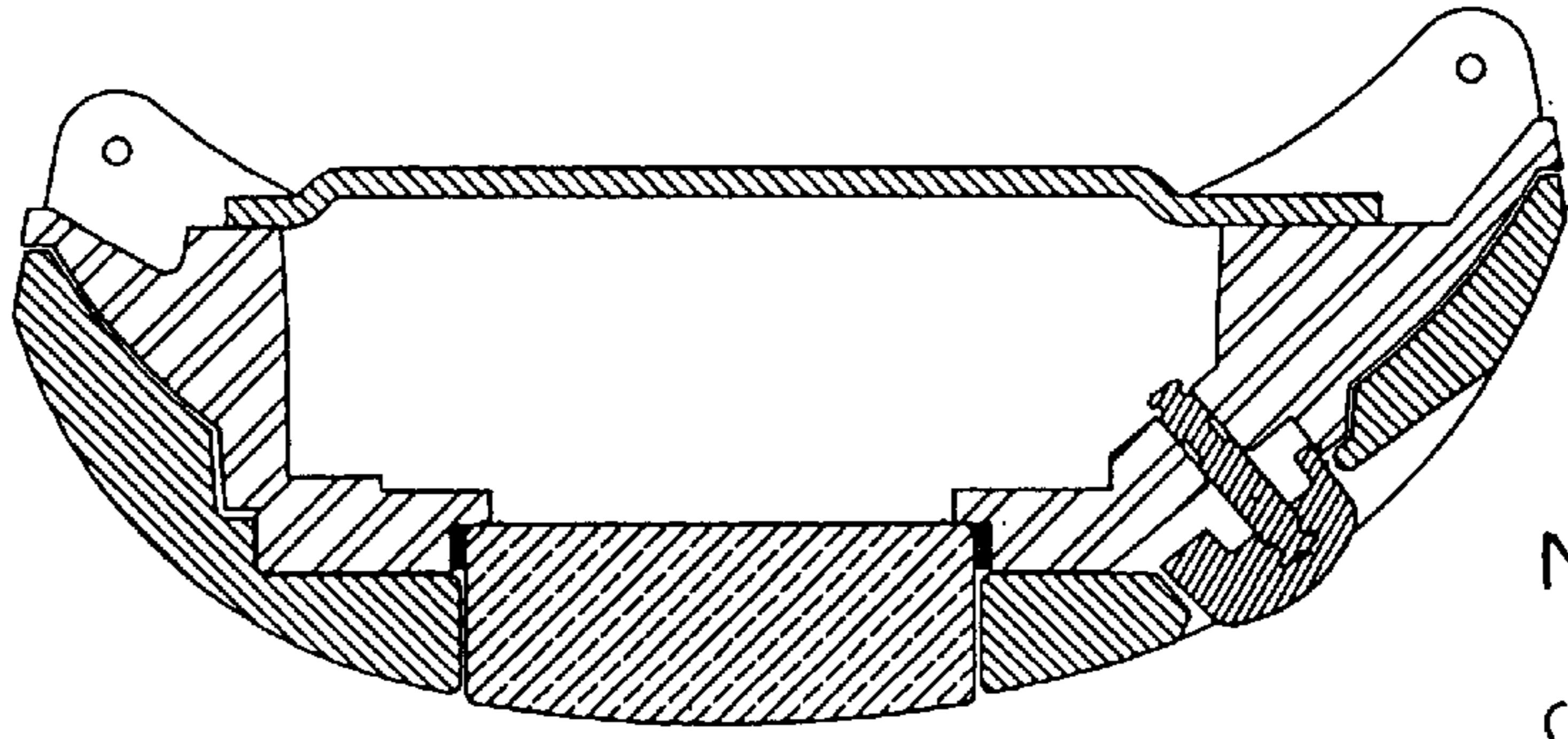


FIG. 7

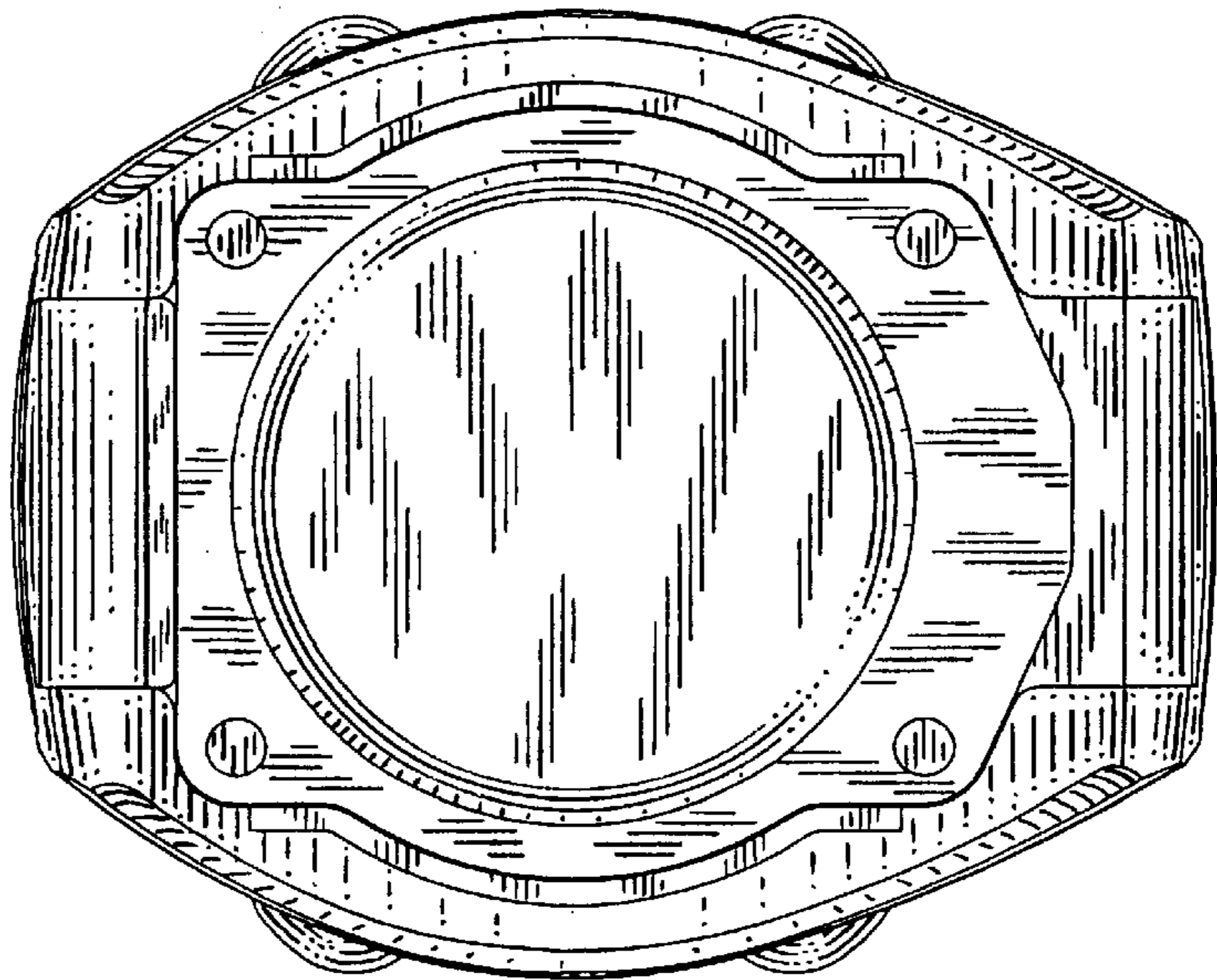


FIG. 6