



US00D404313S

United States Patent [19]
Arazano

[11] **Patent Number: Des. 404,313**

[45] **Date of Patent: **Jan. 19, 1999**

[54] **JAR**

[75] Inventor: **Victoria Arazano**, New York, N.Y.

[73] Assignee: **Bath & Body Works, Inc.**,
Reynoldsburg, Ohio

[**] Term: **14 Years**

[21] Appl. No.: **83,943**

[22] Filed: **Feb. 20, 1998**

[51] **LOC (6) Cl. 09-01**

[52] **U.S. Cl. D9/570; D9/558; D9/574**

[58] **Field of Search D9/557, 570, 558,**
D9/574, 544, 545, 539-542, 513, 509,
506; 215/382, 383, 384

[56] **References Cited**

U.S. PATENT DOCUMENTS

D. 53,071	3/1919	Hoffman	D9/513
D. 80,933	4/1930	Andrews	D9/558
D. 98,577	2/1936	Durand	D9/544
D. 128,650	8/1941	Walker et al.	D9/574
D. 343,124	1/1994	Boucheron	D9/557

Primary Examiner—Lucy Lieberman

Attorney, Agent, or Firm—Colucci & Umans

[57] **CLAIM**

The ornamental design for a jar, as shown and described.

DESCRIPTION

FIG. 1 is a front top right perspective view of a jar showing my new design, the neck being environment only and forming no part of the design;

FIG. 2 is a top plan view thereof;

FIG. 3 is a front elevation thereof, the rear elevation is the same;

FIG. 4 is a left side elevational view thereof, the right side being identical;

FIG. 5 is a bottom plan view thereof;

FIG. 6 is a top plan view of a second embodiment of the invention which uses transparent material for the jar;

FIG. 7 is a front elevation of the embodiment of FIG. 6, the rear elevational view being identical;

FIG. 8 is a left side elevational view of the embodiment of FIG. 6, the right side elevational view being identical; and,

FIG. 9 is a bottom plan view of the embodiment of FIG. 6.

The broken lines in the drawings are for illustrative purposes only and do not form part of the claimed design.

1 Claim, 5 Drawing Sheets

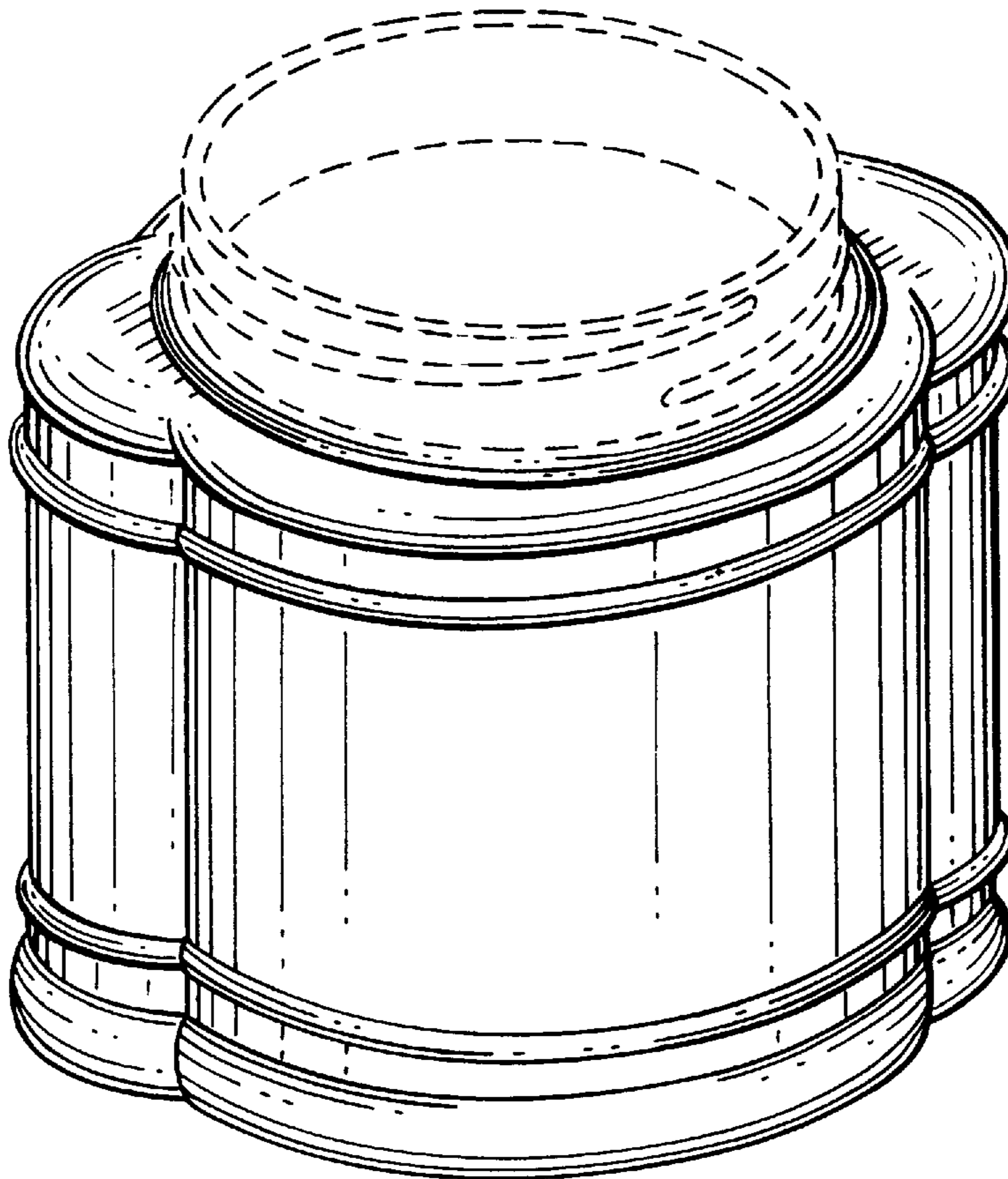


FIG. 1

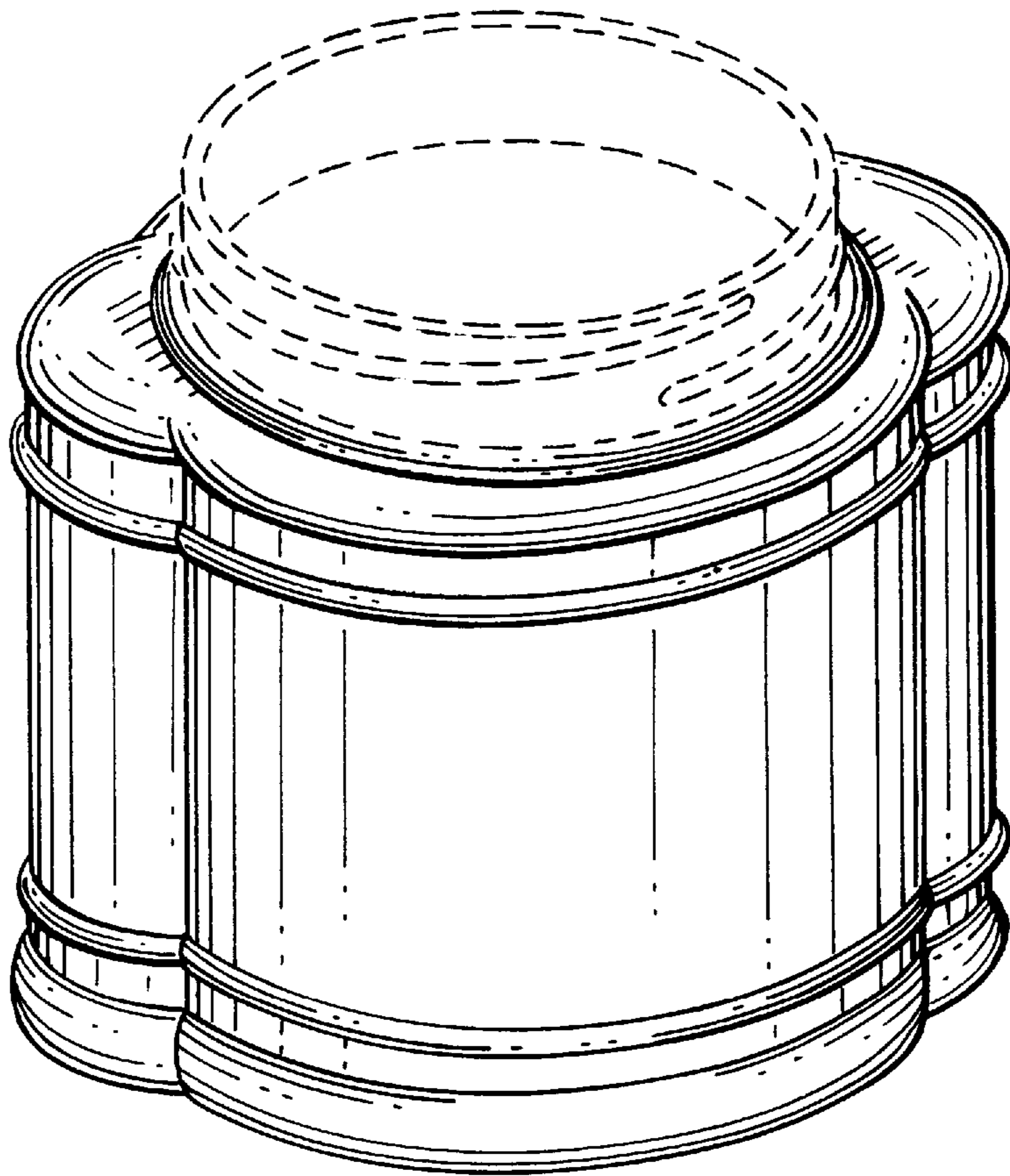


FIG. 2

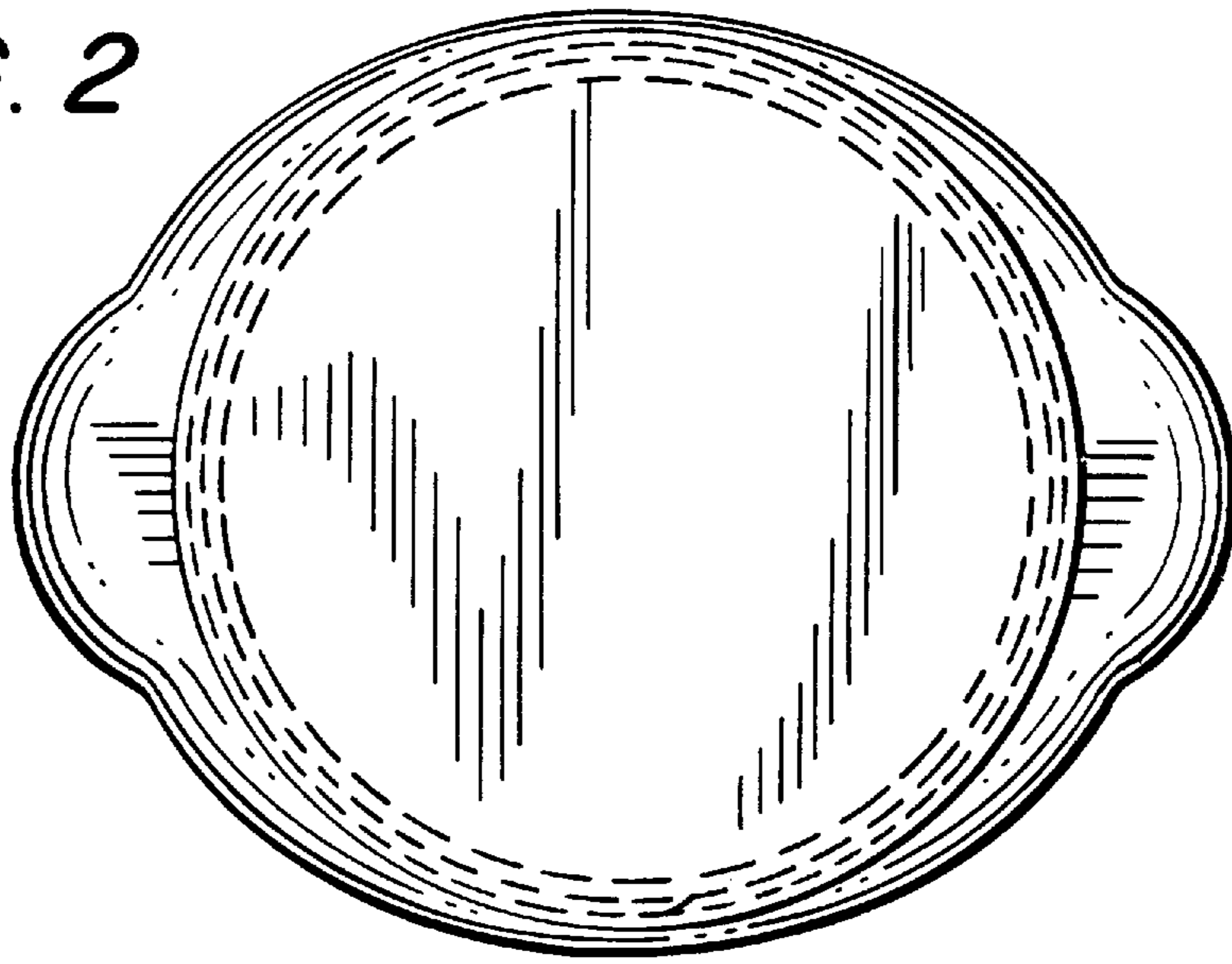


FIG. 3

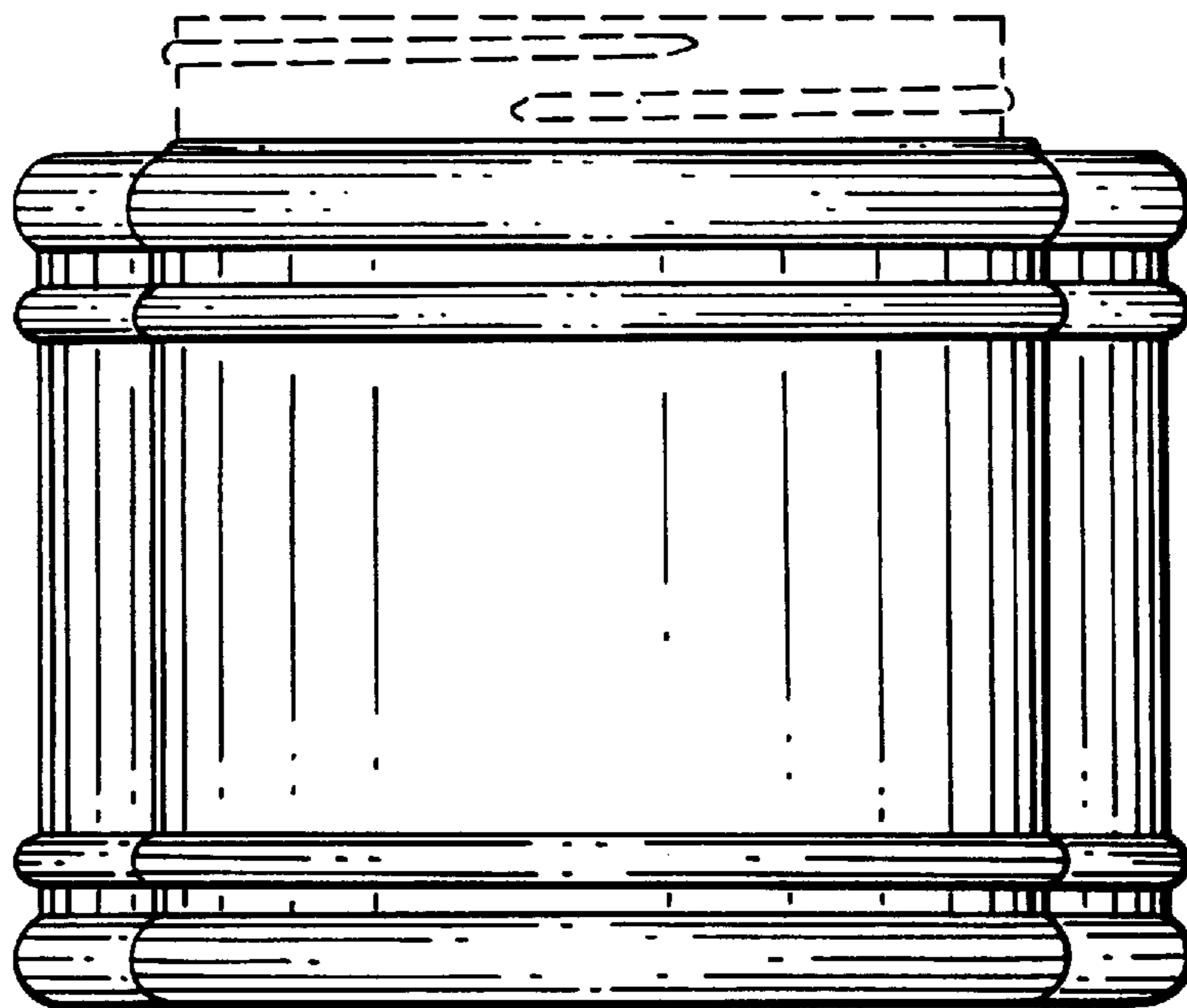


FIG. 4

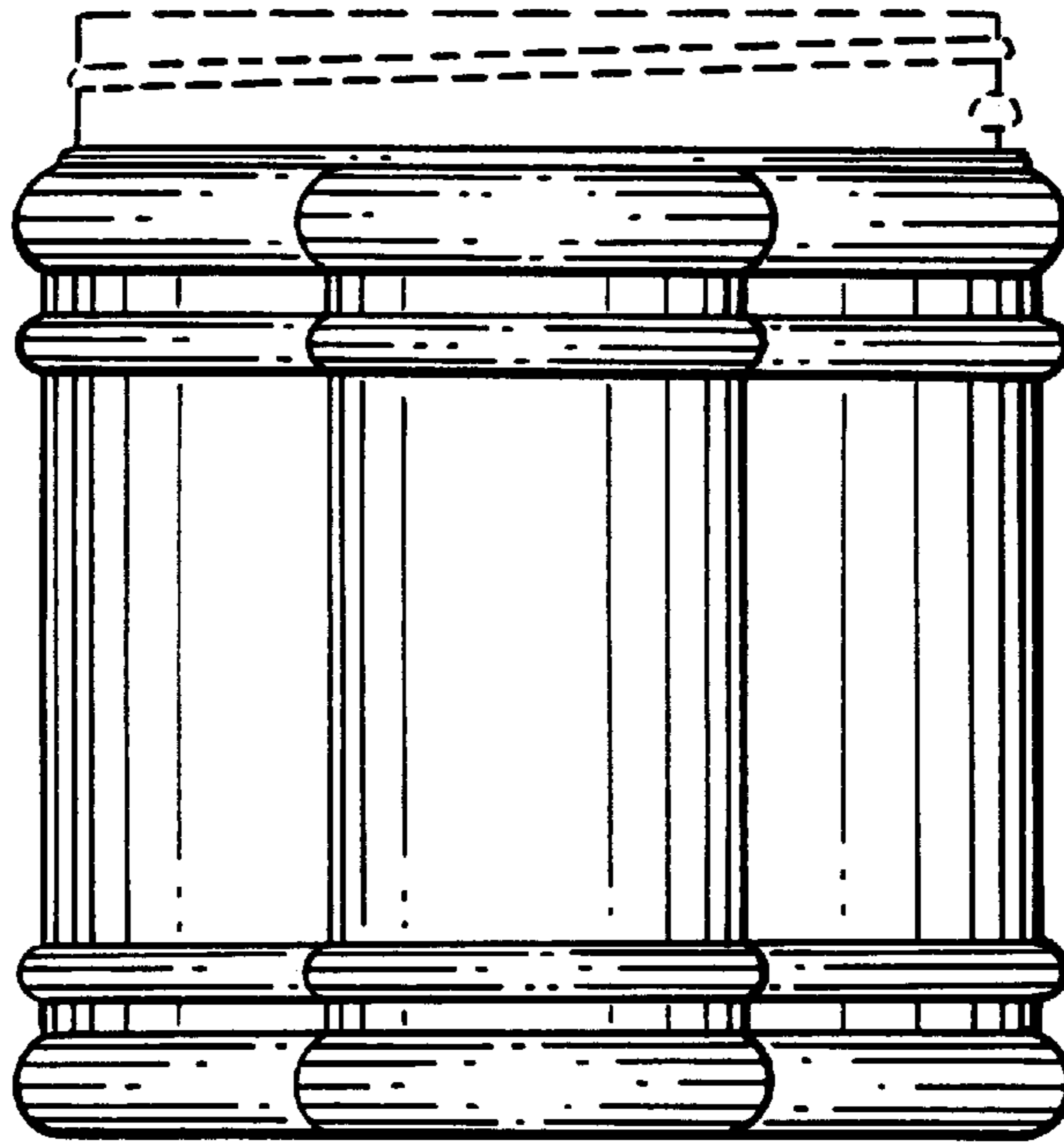


FIG. 5

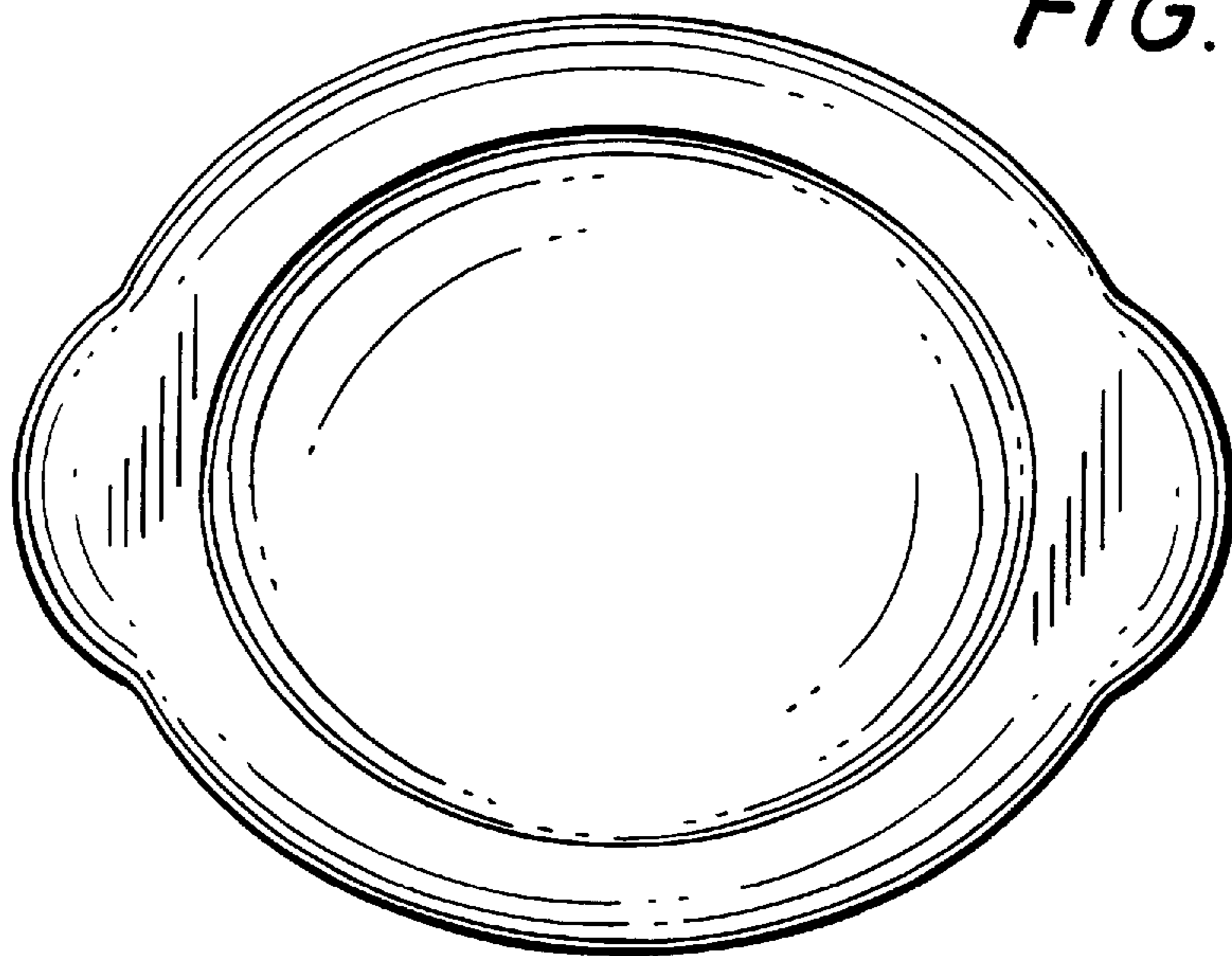


FIG. 6

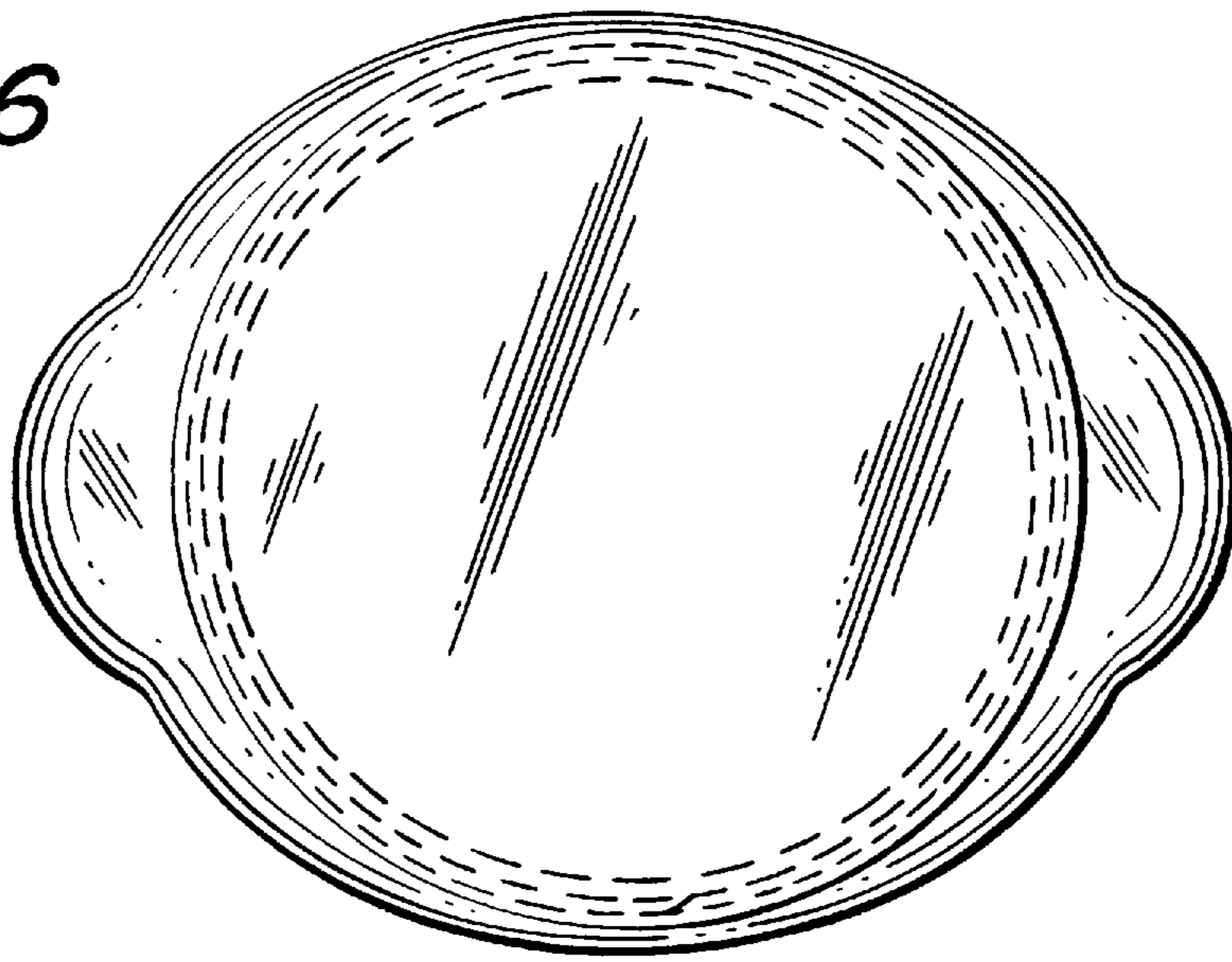


FIG. 7

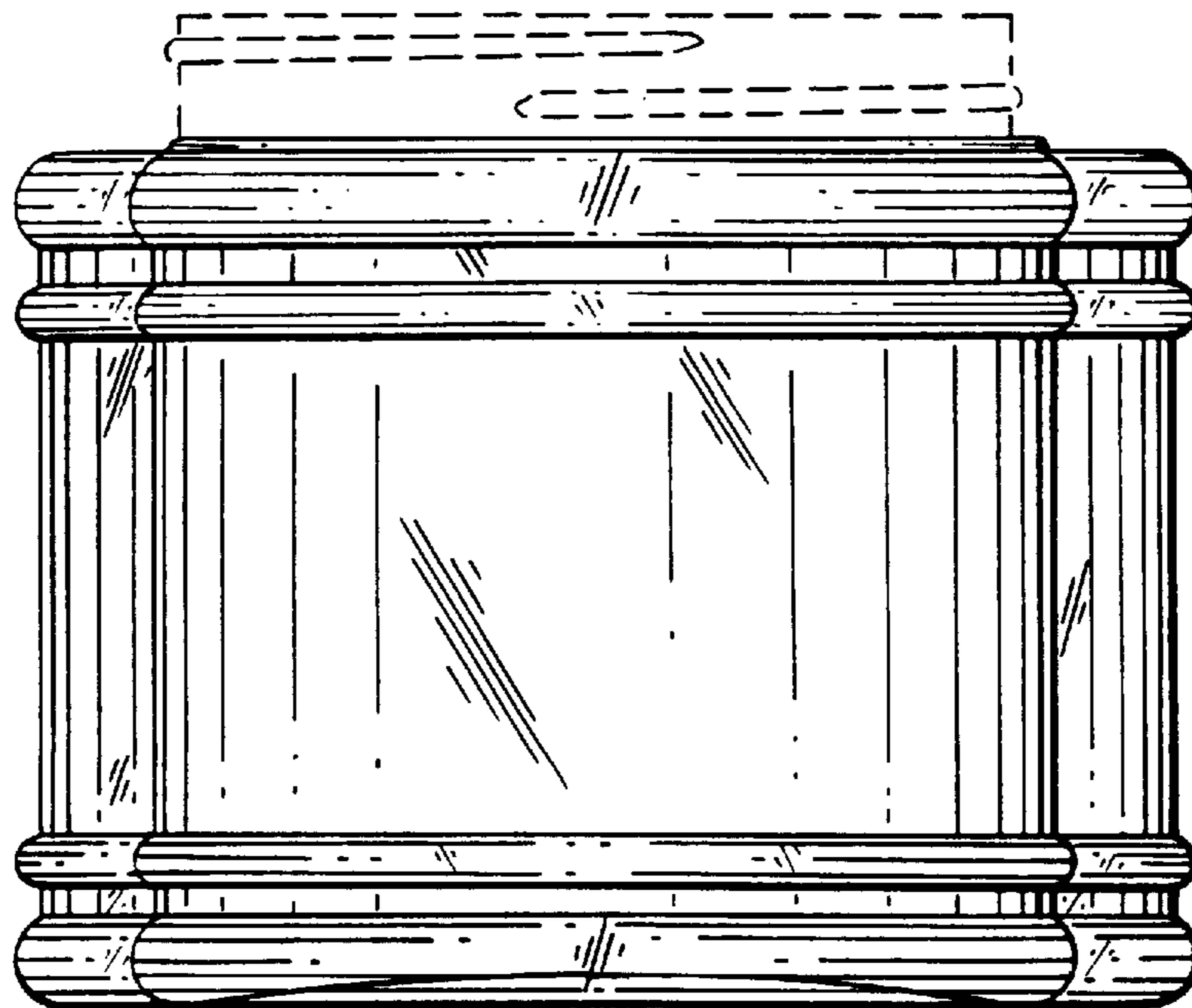


FIG. 8

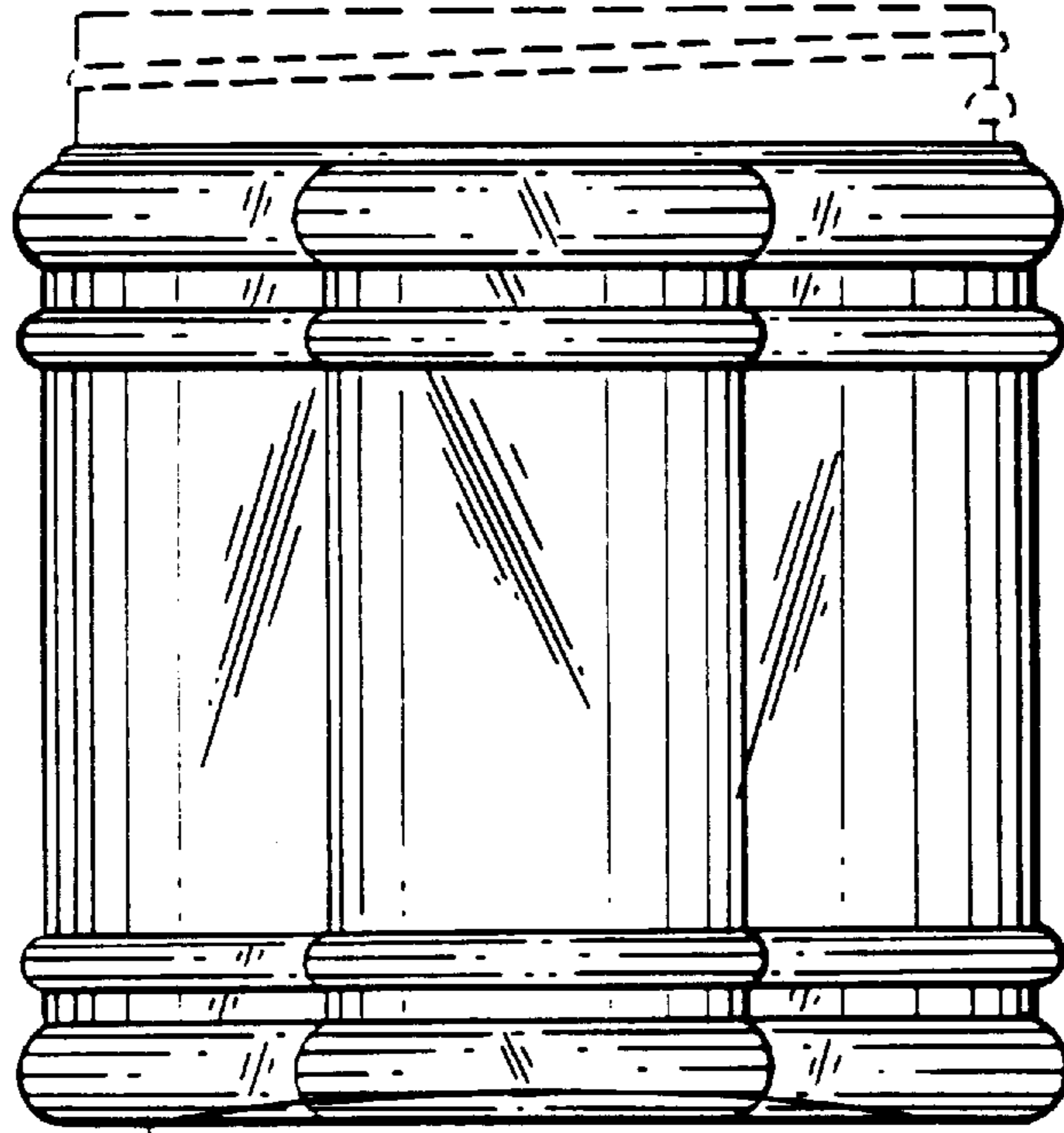


FIG. 9

