



US00D404292S

United States Patent [19] Weber

[11] **Patent Number: Des. 404,292**

[45] **Date of Patent: **Jan. 19, 1999**

[54] **WINDOW TREATMENT ACCESSORY**

[75] Inventor: **Lynette Weber**, Middleton, Wis.

[73] Assignee: **Springs Window Fashions Division, Inc.**, Middleton, Wis.

[**] Term: **14 Years**

[21] Appl. No.: **85,789**

[22] Filed: **Mar. 30, 1998**

[51] **LOC (6) Cl. 08-05**

[52] **U.S. Cl. D8/378**

[58] **Field of Search D8/378, 300, 310; 428/28; D26/154; D11/76**

[56] **References Cited**

U.S. PATENT DOCUMENTS

D. 73,182	8/1927	Kasch	D8/310
D. 233,907	12/1974	Michaeli	D26/154
D. 306,552	3/1990	Paul	D8/310 X
5,262,209	11/1993	Sawyer	428/28

OTHER PUBLICATIONS

Taiwan Lighting, p. 145, light globe, model No. LM-5524 at left of page, Jan. 1996.

Primary Examiner—Holly Baynham

Attorney, Agent, or Firm—Lerner, David, Littenberg, Krumholz & Mentlik

[57] **CLAIM**

The ornamental design for a window treatment accessory, as shown and described.

DESCRIPTION

FIG. 1 is an environmental perspective view of the claimed window treatment accessory;

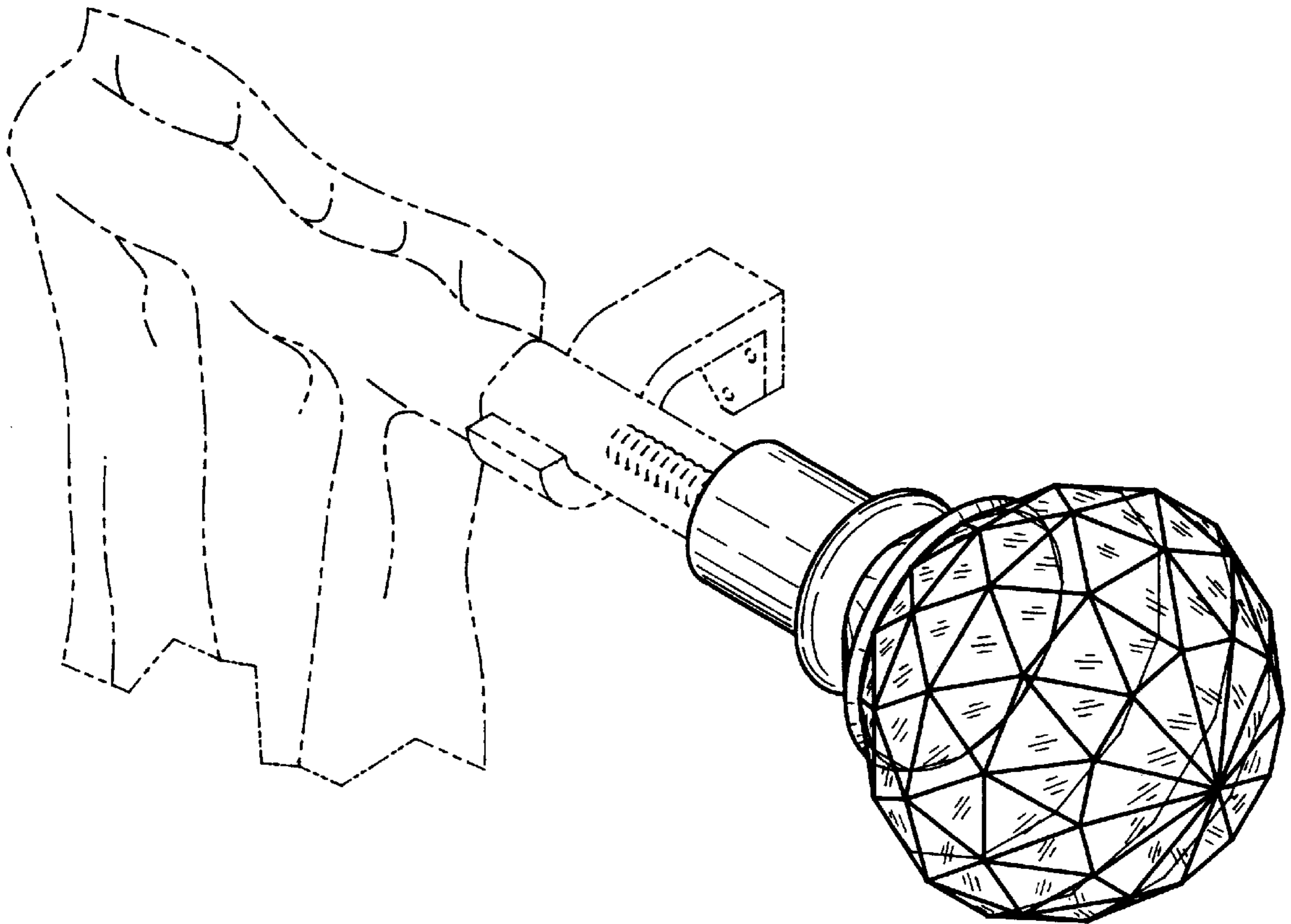
FIG. 2 is a top plan view thereof (the bottom plan view and left and right side views being identical to the top plan view);

FIG. 3 is a front view thereof; and,

FIG. 4 is a rear view thereof.

The broken line showing of a cut-away portion of a partial curtain, rod and bracket in FIG. 1 and a mounting screw in FIGS. 1, 2 and 4 are for illustrative purposes only and form no part of the claimed design.

1 Claim, 2 Drawing Sheets



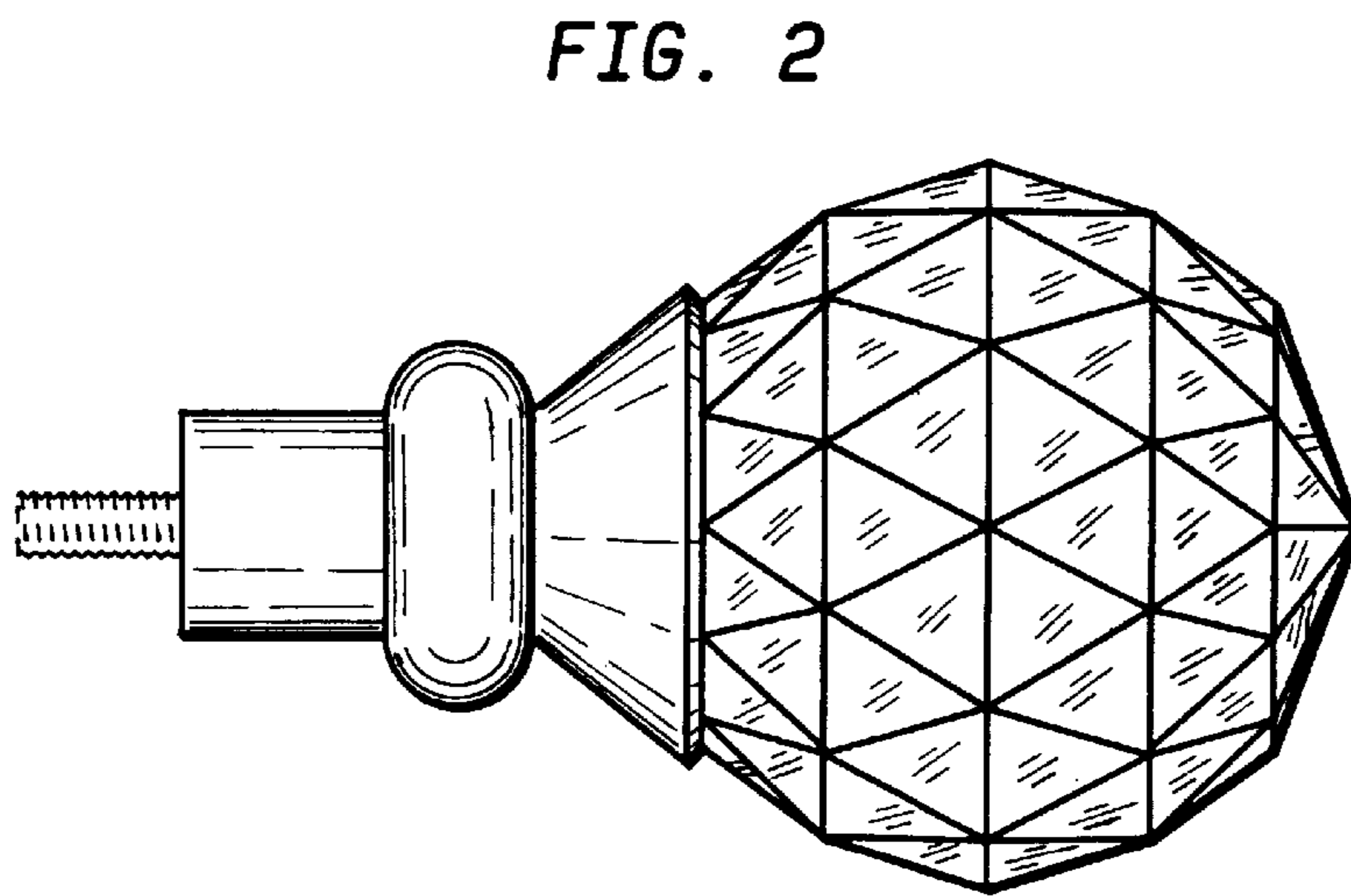
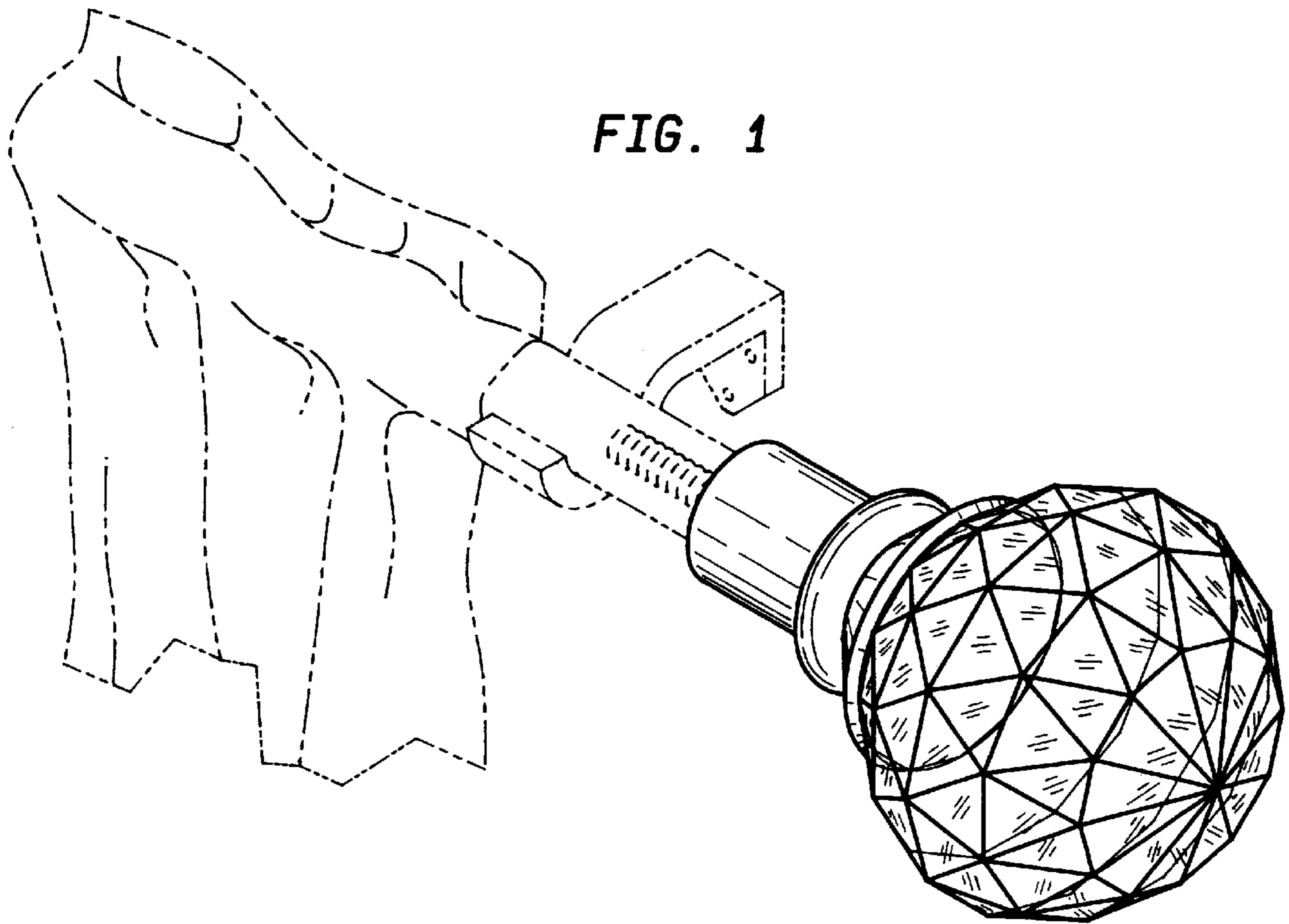


FIG. 3

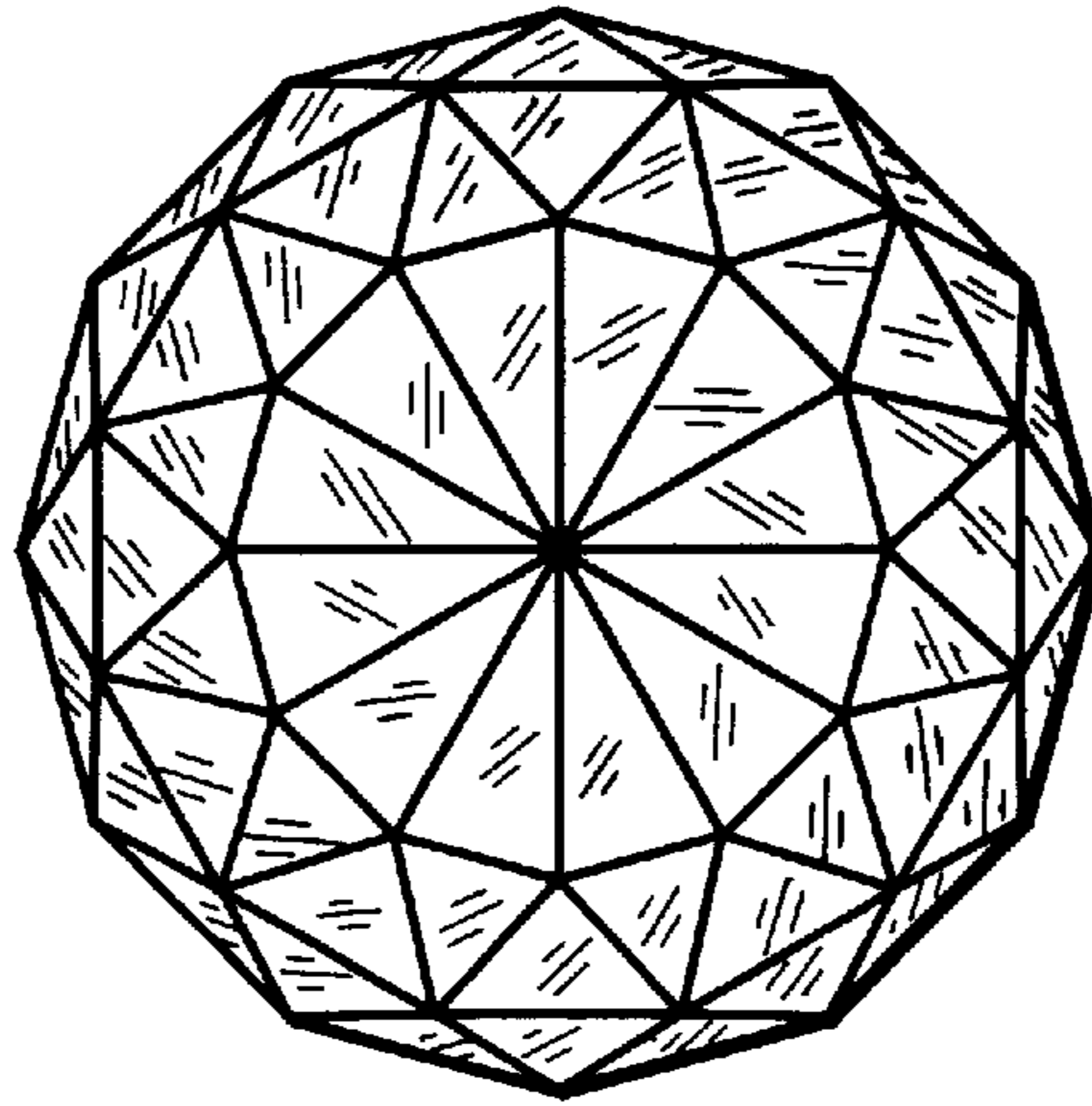


FIG. 4

