



US00D404291S

United States Patent [19]
Tieken

[11] **Patent Number: Des. 404,291**

[45] **Date of Patent: **Jan. 19, 1999**

[54] **WIRE CASTER LEGS**

[75] Inventor: **Ross L. Tieken**, Shiner, Tex.

[73] Assignee: **Kaspar Wire Works, Inc.**, Shiner, Tex.

[**] Term: **14 Years**

[21] Appl. No.: **84,915**

[22] Filed: **Mar. 12, 1998**

[51] **LOC (6) Cl.** **08-05**

[52] **U.S. Cl.** **D8/375**

[58] **Field of Search** D8/375; 16/18 R,
16/18 CG, 31 A, 40, 29, 45

[56] **References Cited**

U.S. PATENT DOCUMENTS

619,896	2/1899	Lee	16/18 R X
750,900	2/1904	Schustek et al.	16/40
2,096,239	10/1937	Geyer	16/31 A X
2,450,062	9/1948	Voss et al.	16/18 CG

Primary Examiner—Holly Baynham
Attorney, Agent, or Firm—Miller, Sisson, Chapman & Nash

[57] **CLAIM**

The ornamental design for wire caster legs, as shown and described.

DESCRIPTION

FIG. 1 is a perspective view of the wire caster legs showing my new design;

FIG. 2 is a right side elevational view thereof;

FIG. 3 is a front side elevational view thereof;

FIG. 4 is a left side elevational view thereof;

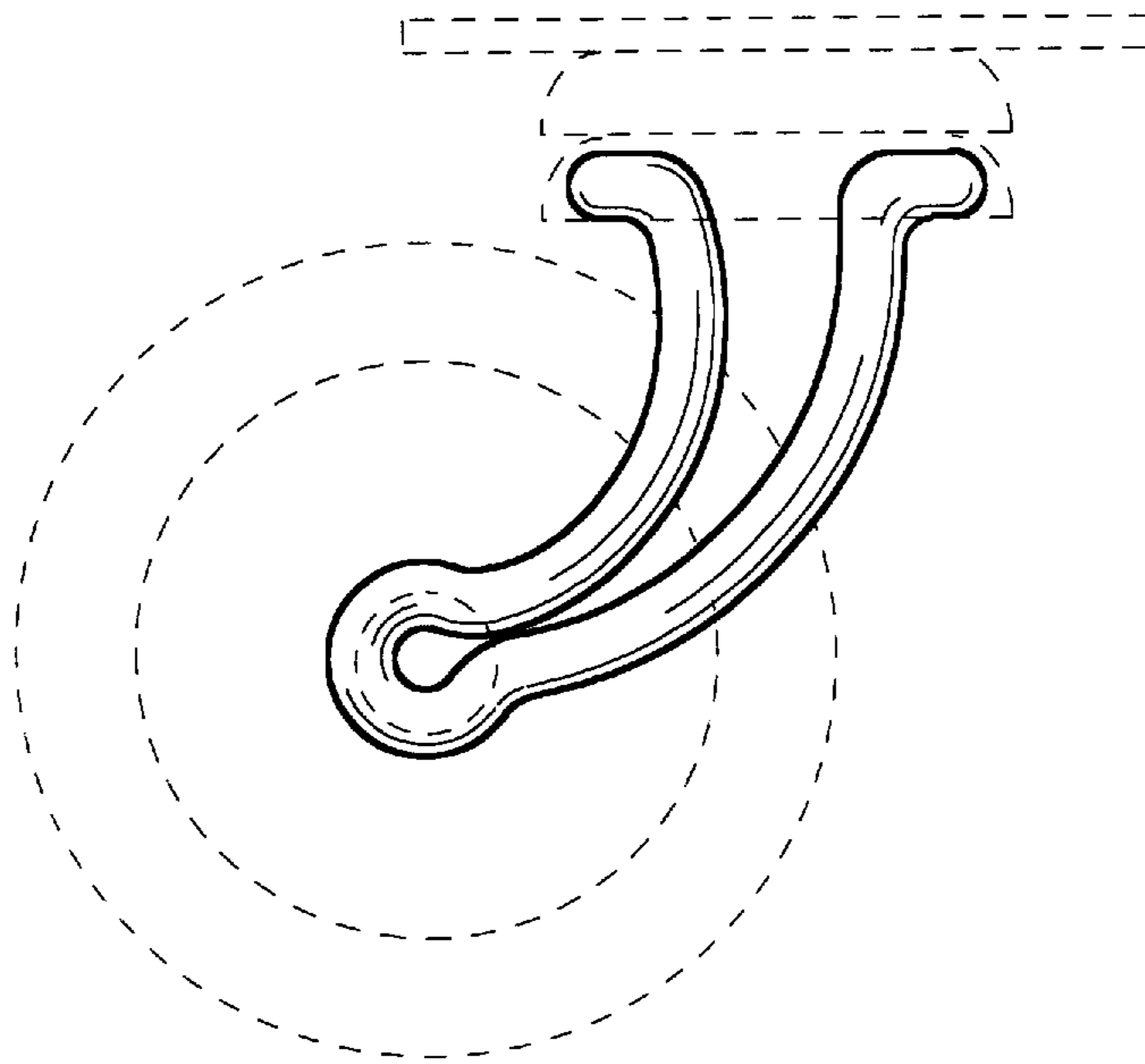
FIG. 5 is a rear elevational view thereof;

FIG. 6 is a top elevational view thereof; and,

FIG. 7 is a bottom elevational view thereof.

The broken line showing of a caster plate and wheel is for illustrative purposes only and forms no part of the claimed design.

1 Claim, 2 Drawing Sheets



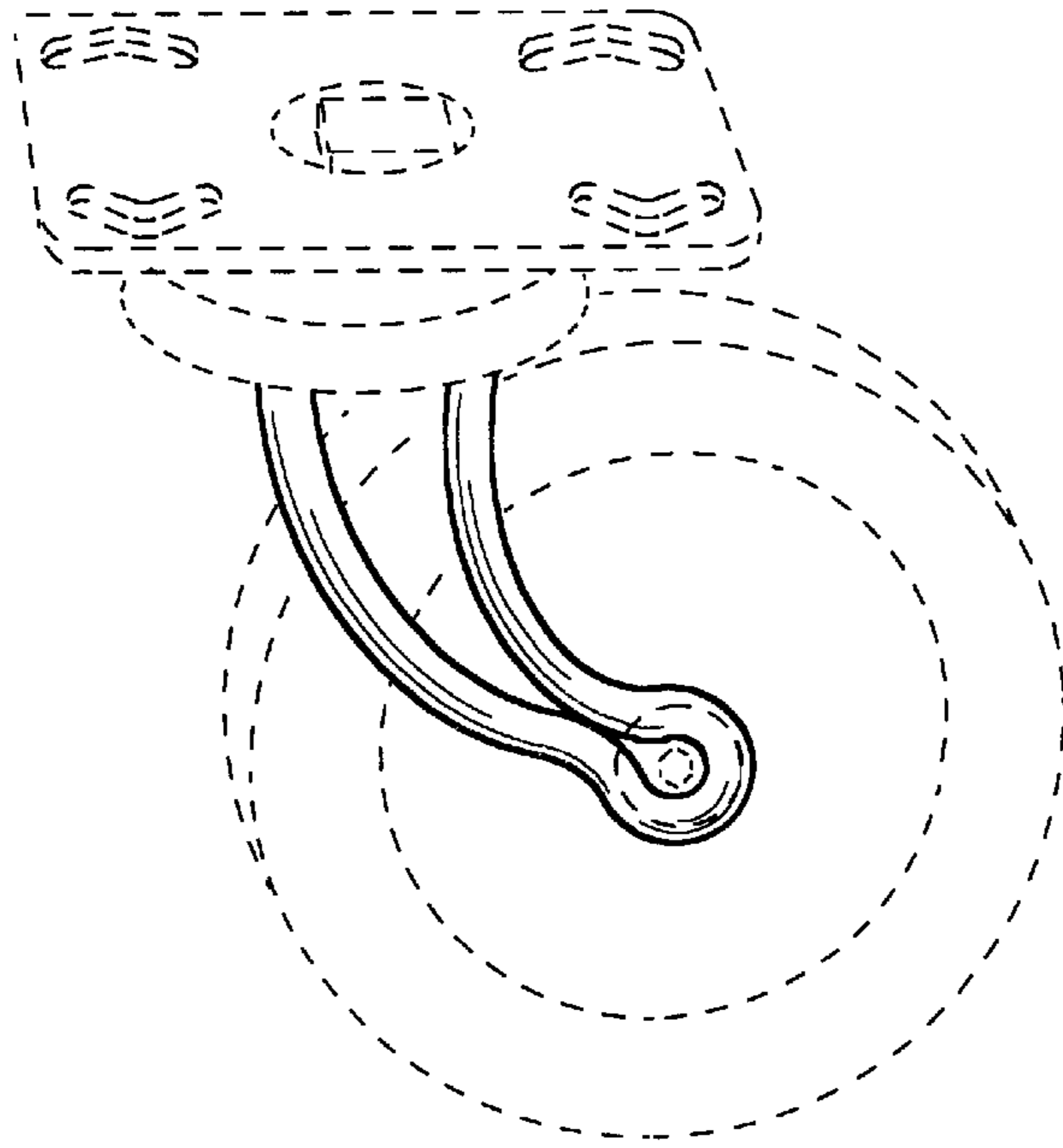


Fig. 1

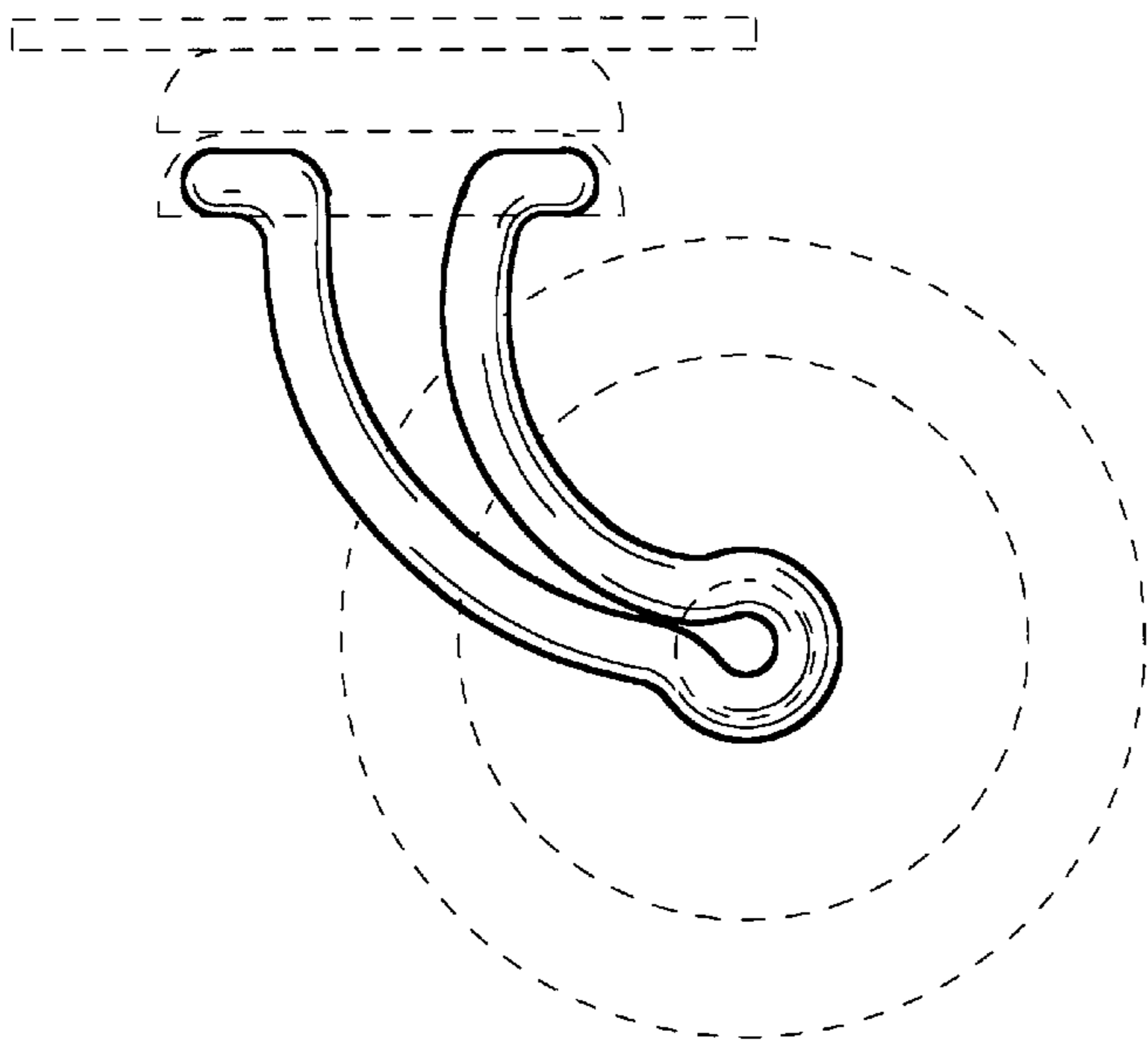


Fig. 2

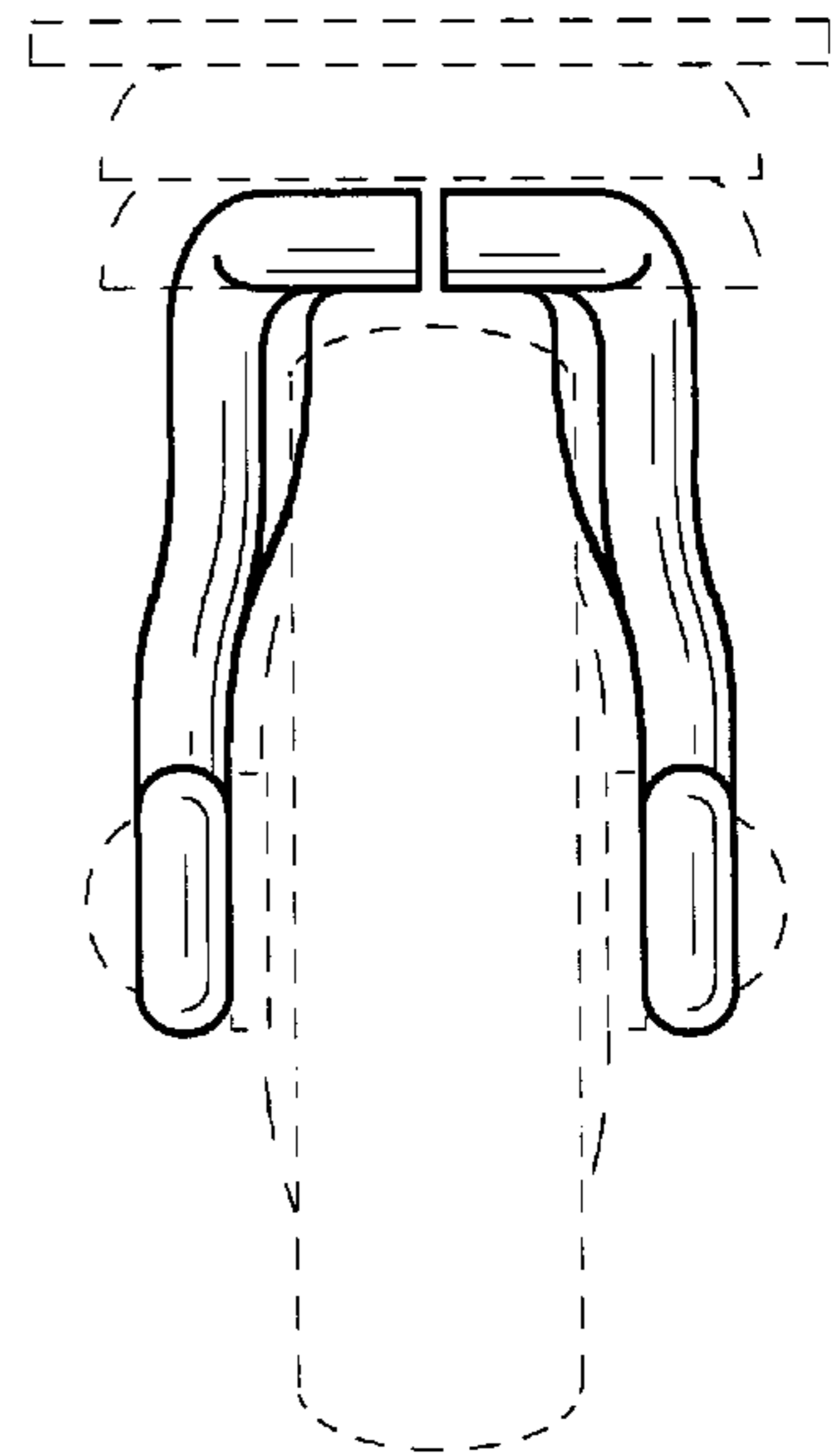


Fig. 3

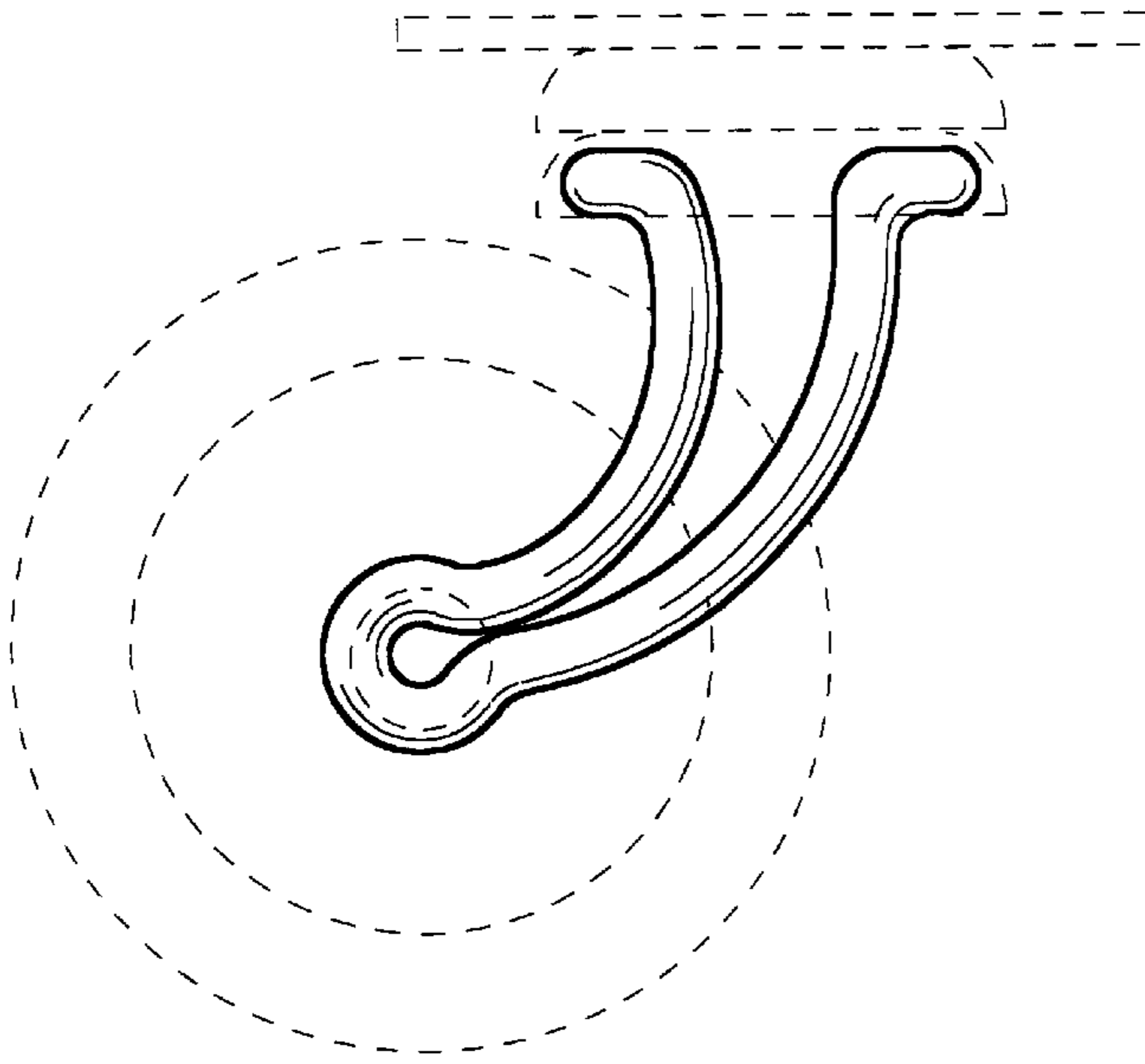


Fig. 4

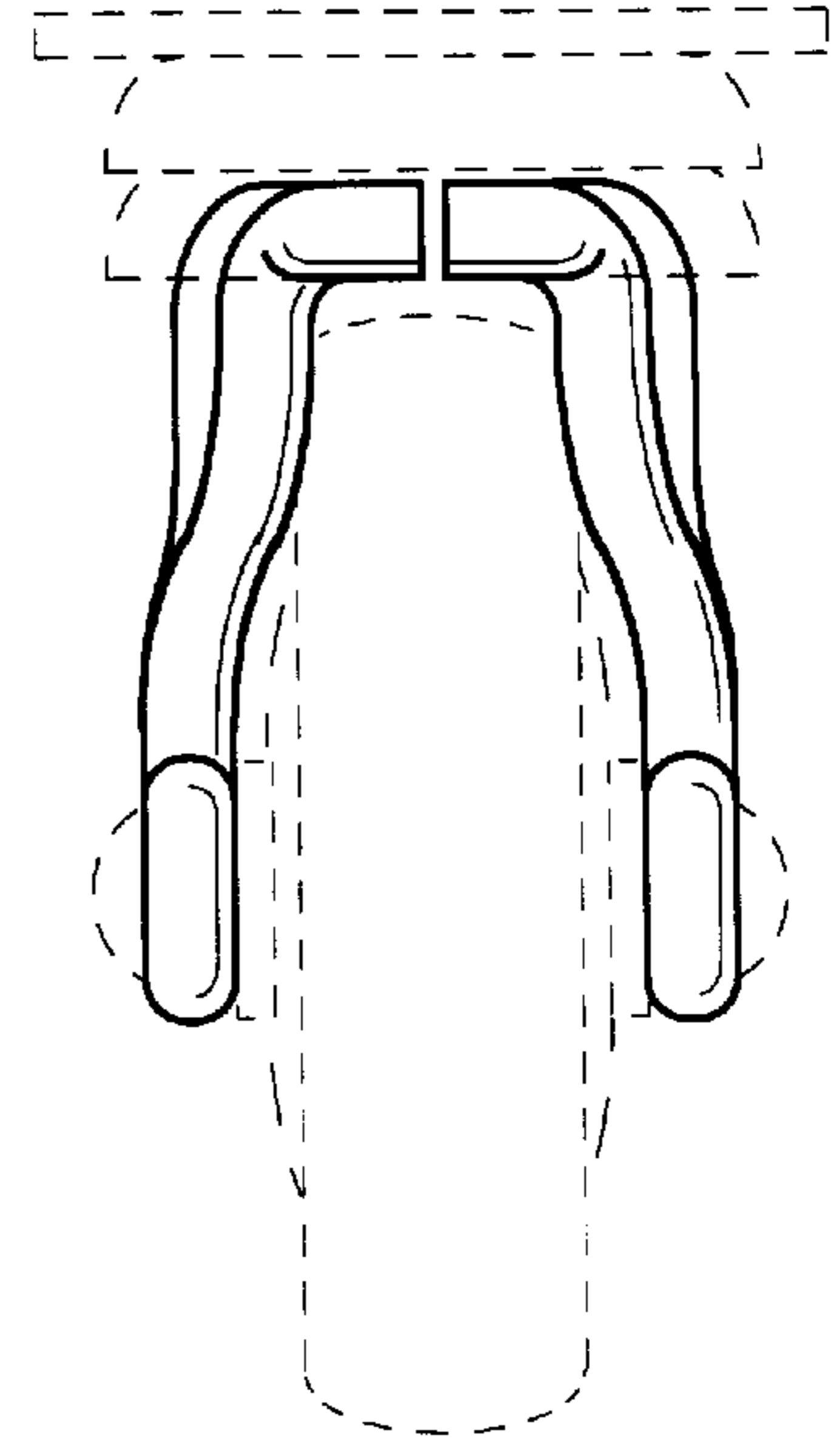


Fig. 5

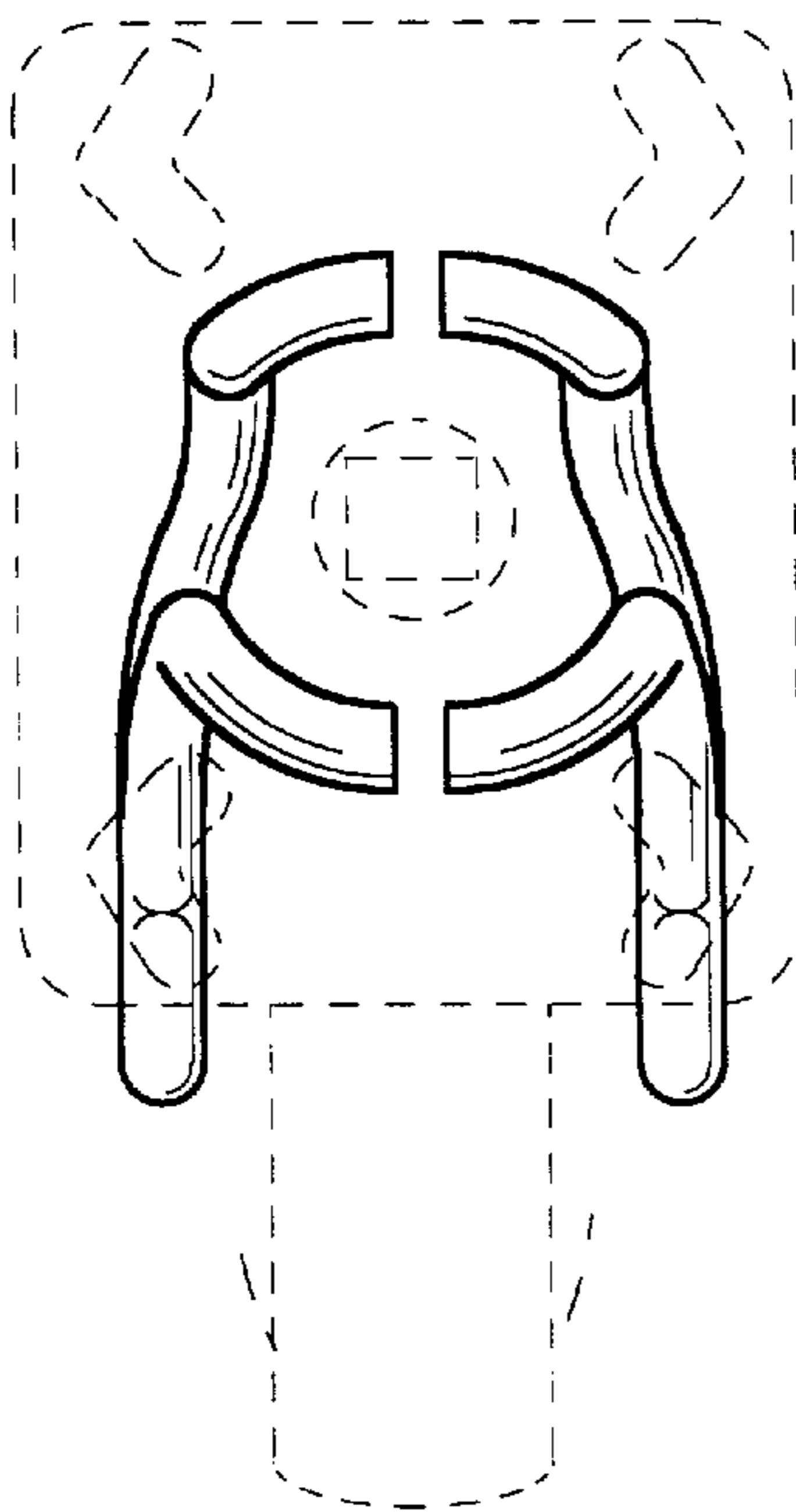


Fig. 6

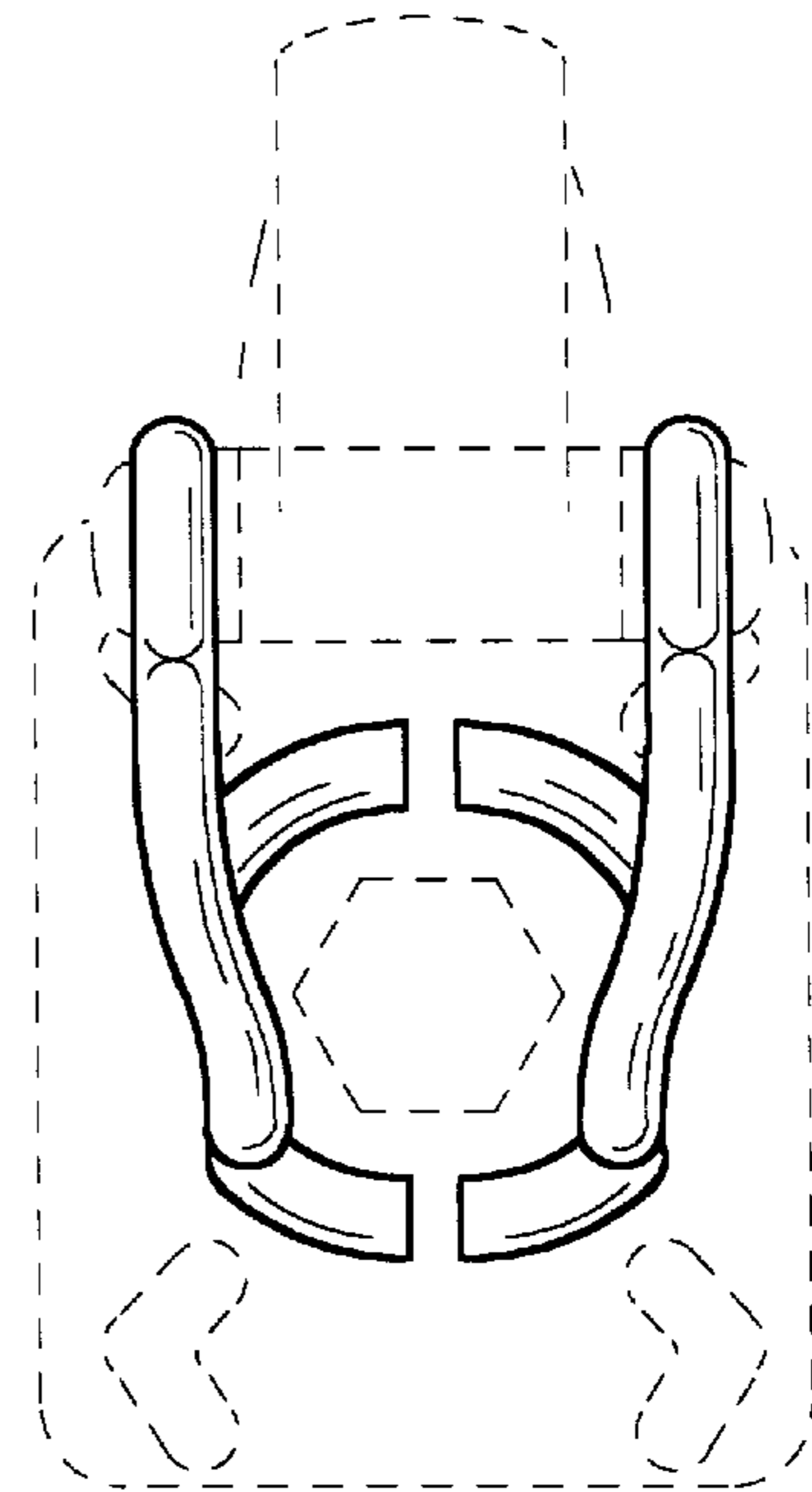


Fig. 7