



US00D404286S

United States Patent [19]

Plantz et al.

[11] **Patent Number: Des. 404,286**

[45] **Date of Patent: **Jan. 19, 1999**

[54] **GARDEN HOSE REEL**

D. 334,334 3/1993 Jarry D8/359
D. 374,166 10/1996 Czerwinski et al. D8/359

[75] Inventors: **Jeffrey S. Plantz**, Seven Hills; **John R. Nottingham**, Hunting Valley; **John W. Spirk**, Gates Mills; **Paul E. Brokaw**, Euclid; **Nick E. Stanca**, Westlake, all of Ohio

OTHER PUBLICATIONS

Page 3 of Ames Catalog No. 940525R showing "HoseKing" hose reel, copyright 1994 (3 pages).

[73] Assignee: **Gulfstream Home & Garden, Inc.**, Lexington, Ky.

Primary Examiner—Holly Baynham
Attorney, Agent, or Firm—Vickers, Daniels & Young

[**] Term: **14 Years**

[57] CLAIM

The ornamental design for a garden hose reel, as shown.

[21] Appl. No.: **56,339**

DESCRIPTION

[22] Filed: **Jun. 27, 1996**

Related U.S. Application Data

[62] Division of Ser. No. 508,626, Apr. 9, 1990, abandoned.

[51] **LOC (6) Cl.** **08-01**

[52] **U.S. Cl.** **D8/359**

[58] **Field of Search** D8/358-359; 242/395, 242/405.3, 403.1, 564.4

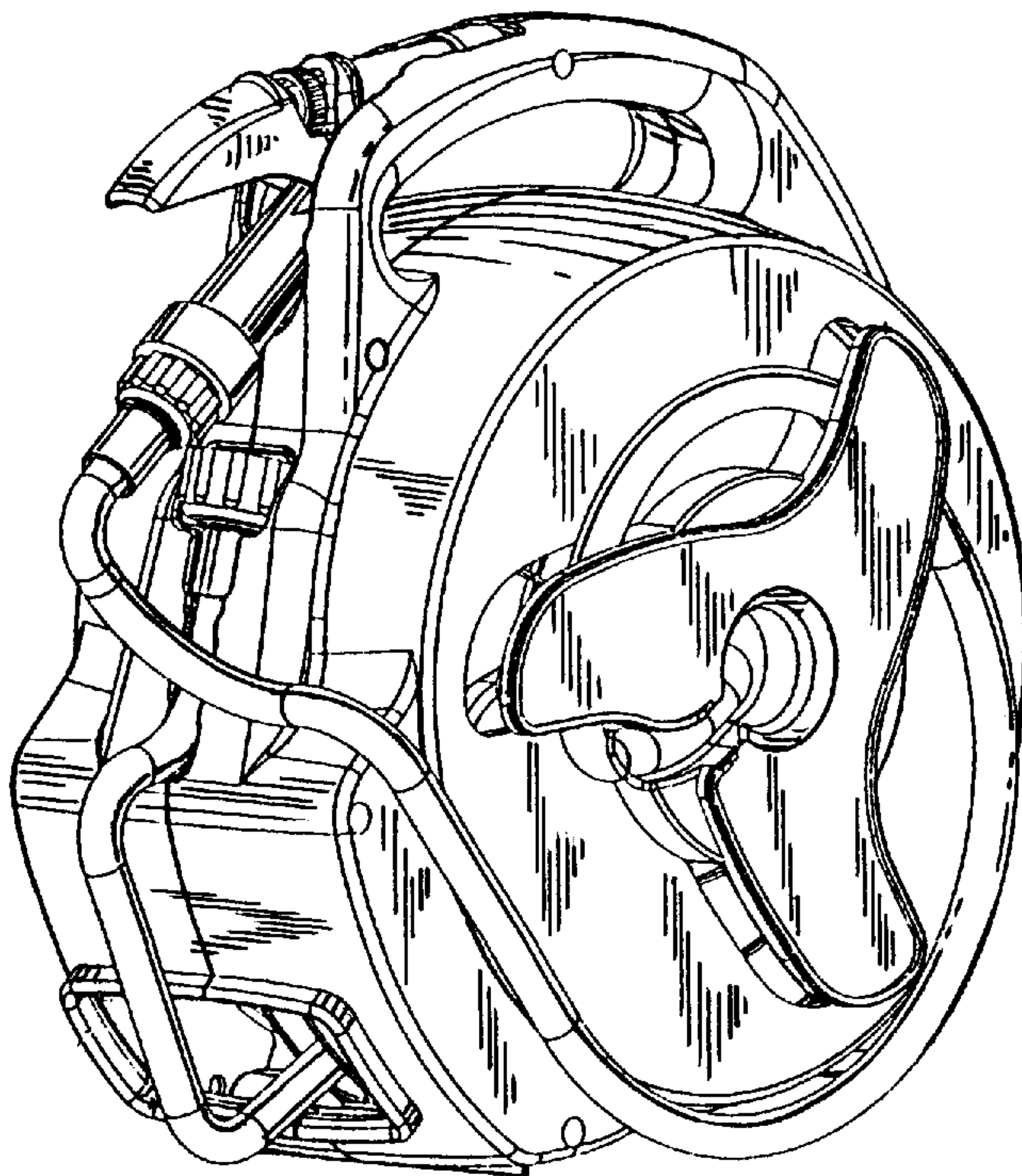
FIG. 1 is a perspective front elevational view of a garden hose reel showing our new design; FIG. 2 is a perspective rear elevational view thereof; FIG. 3 is a front elevational view thereof; FIG. 4 is a rear elevational view thereof; FIG. 5 is side elevational view thereof, looking in the direction from left to right in FIG. 3; FIG. 6 is a side elevational view thereof, looking in the direction from right to left in FIG. 3; FIG. 7 is a top plan view thereof; and, FIG. 8 is a bottom plan view.

[56] References Cited

U.S. PATENT DOCUMENTS

D. 289,492 4/1987 Clivio D8/359

1 Claim, 3 Drawing Sheets



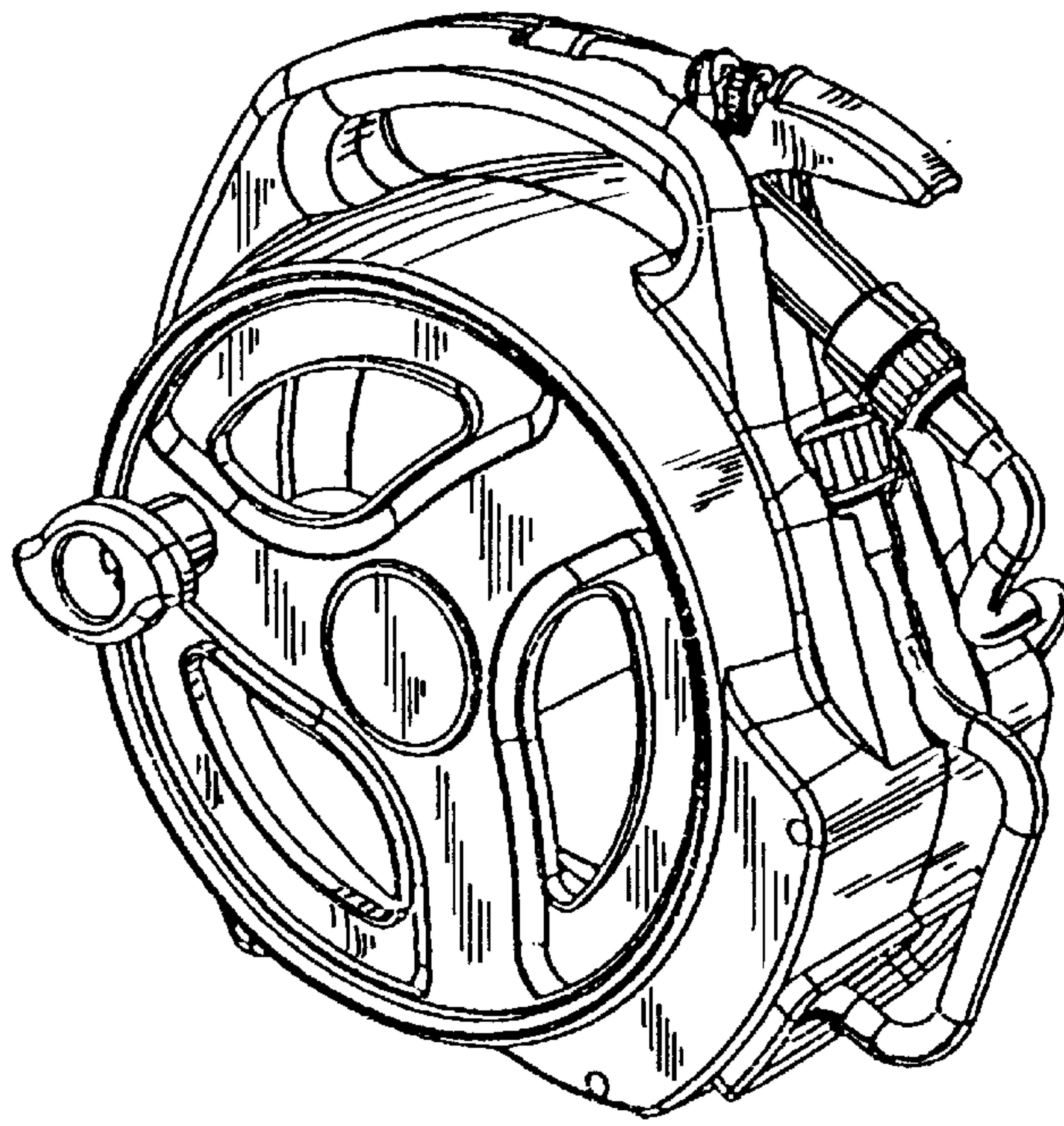


FIG. 1

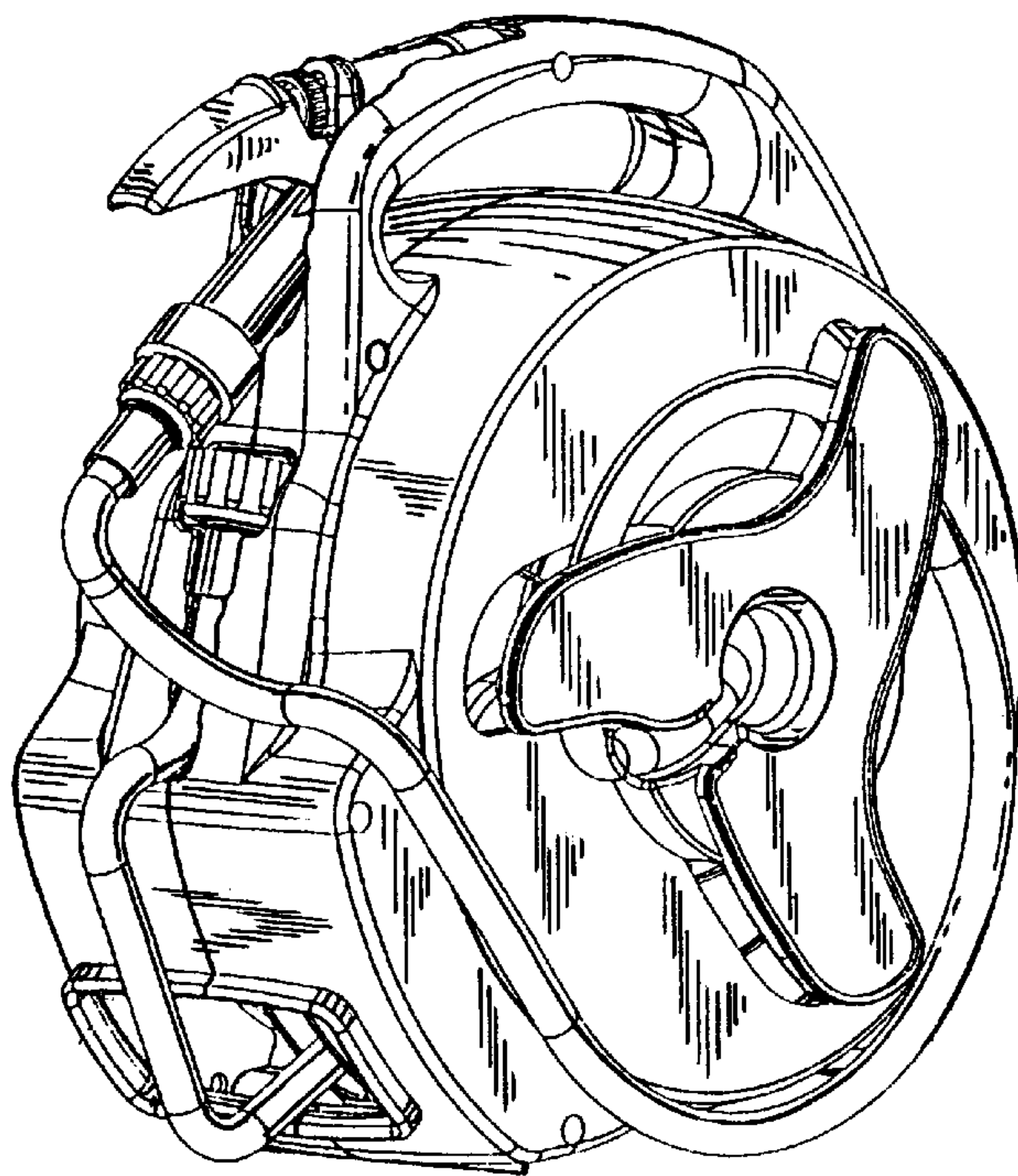


FIG. 2

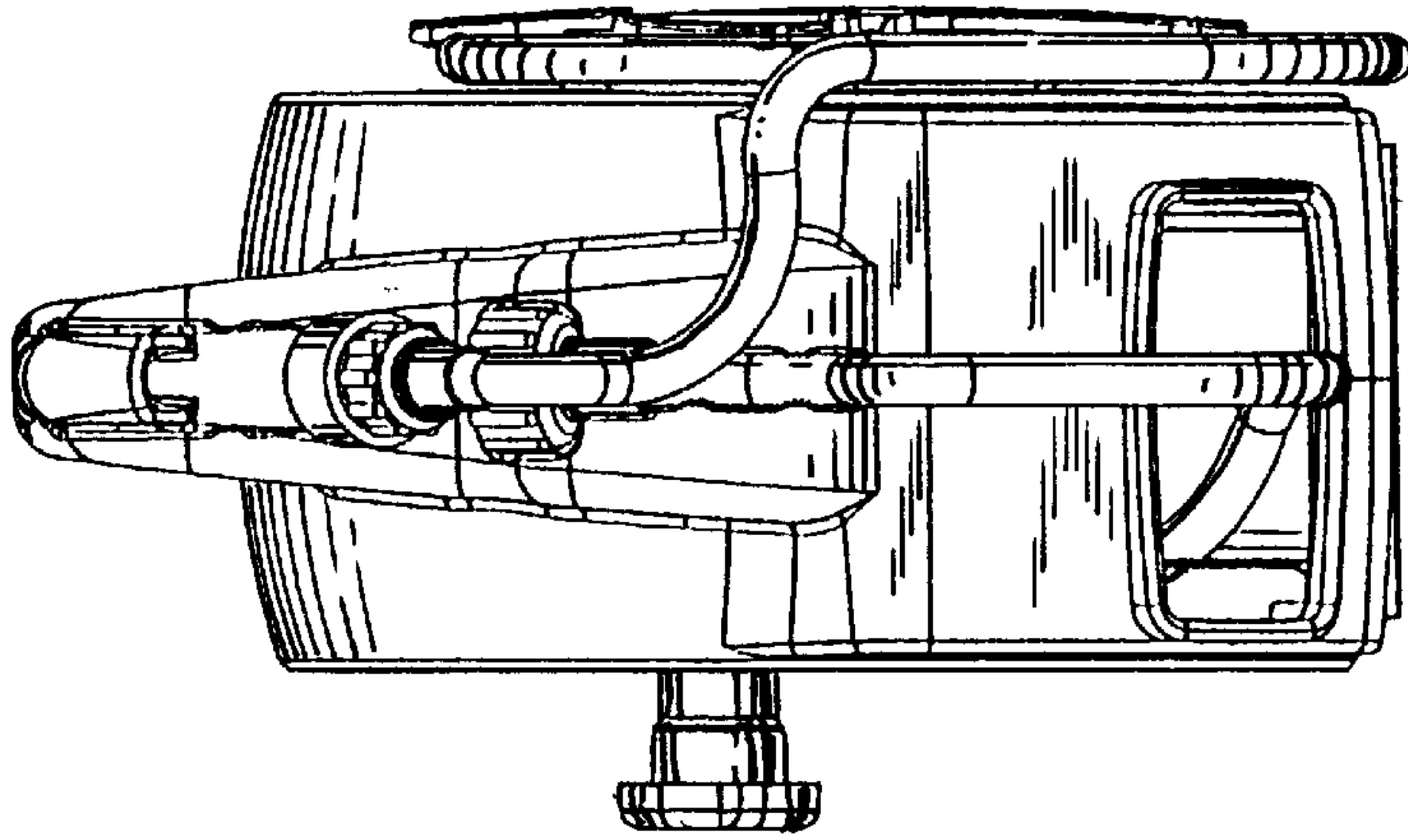


Fig. 6

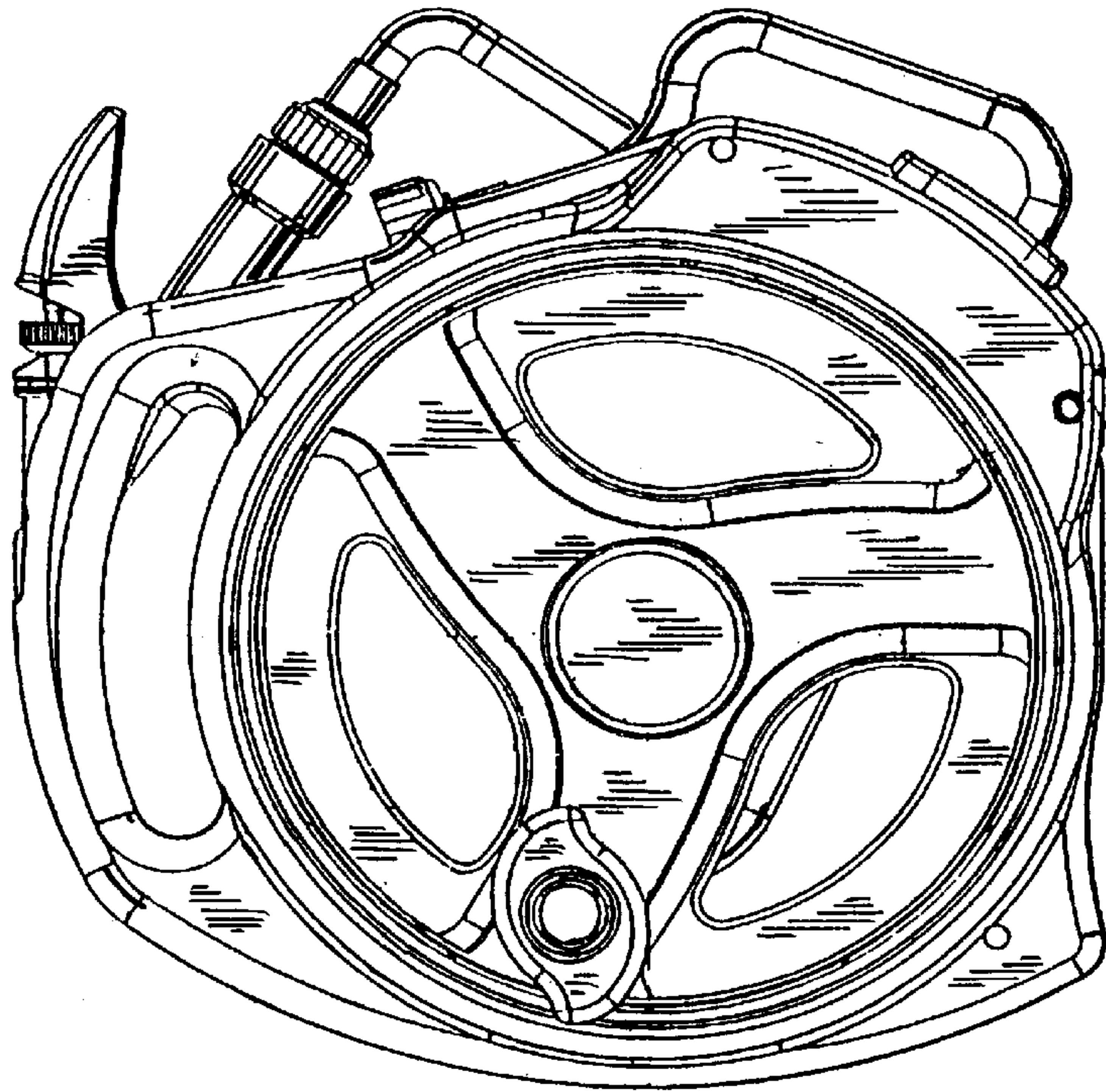


Fig. 7

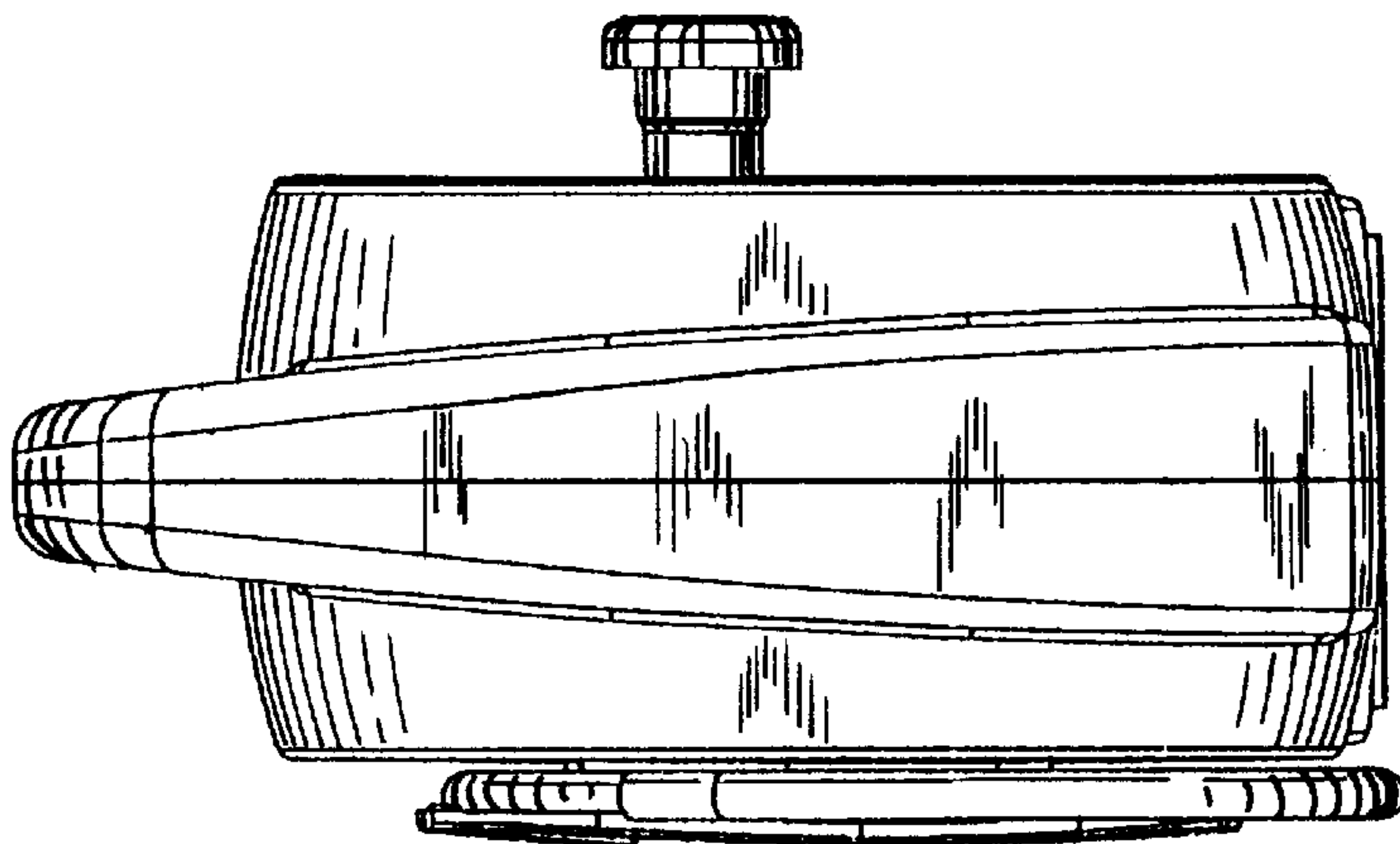


Fig. 8

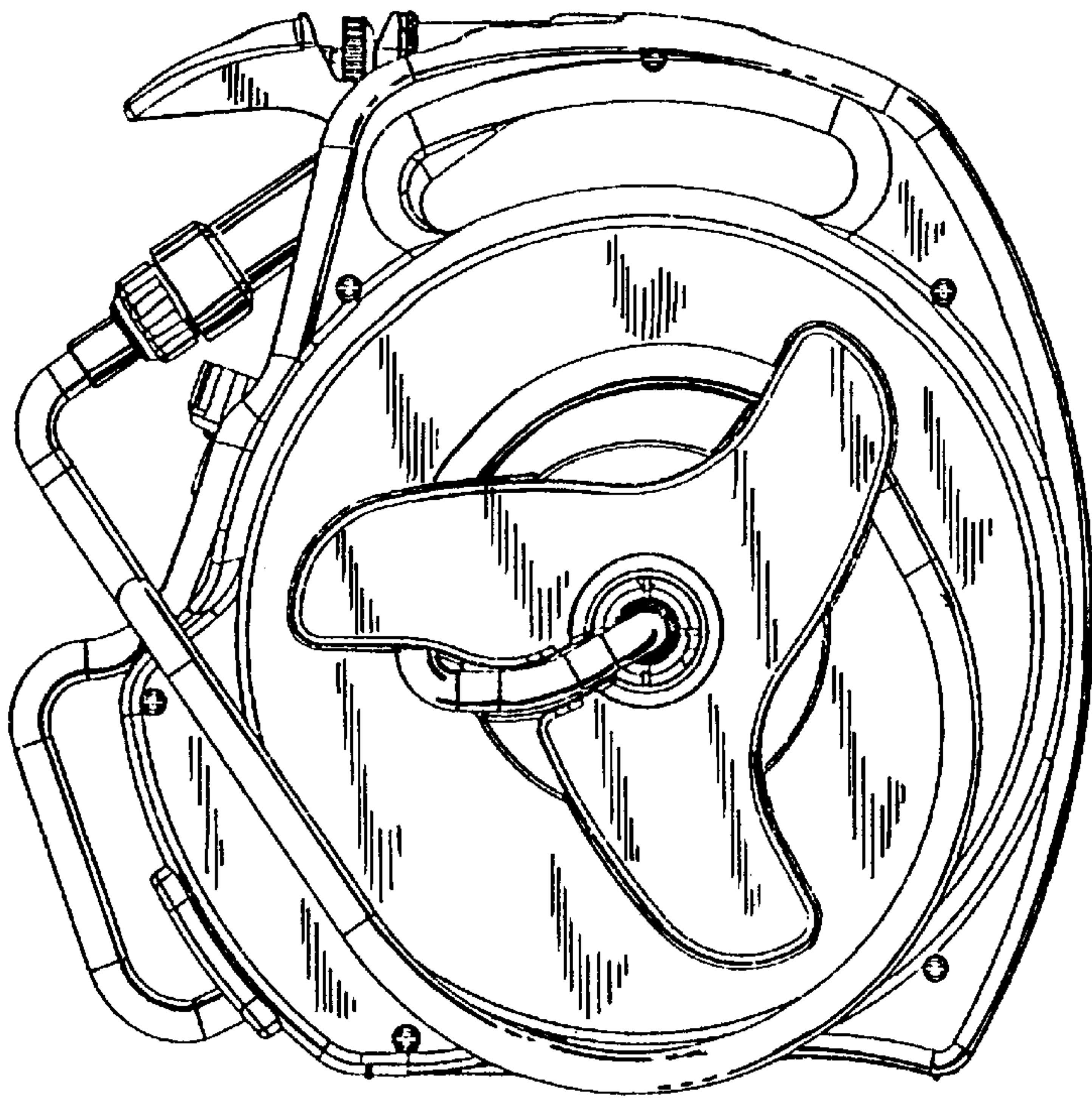


Fig. 4

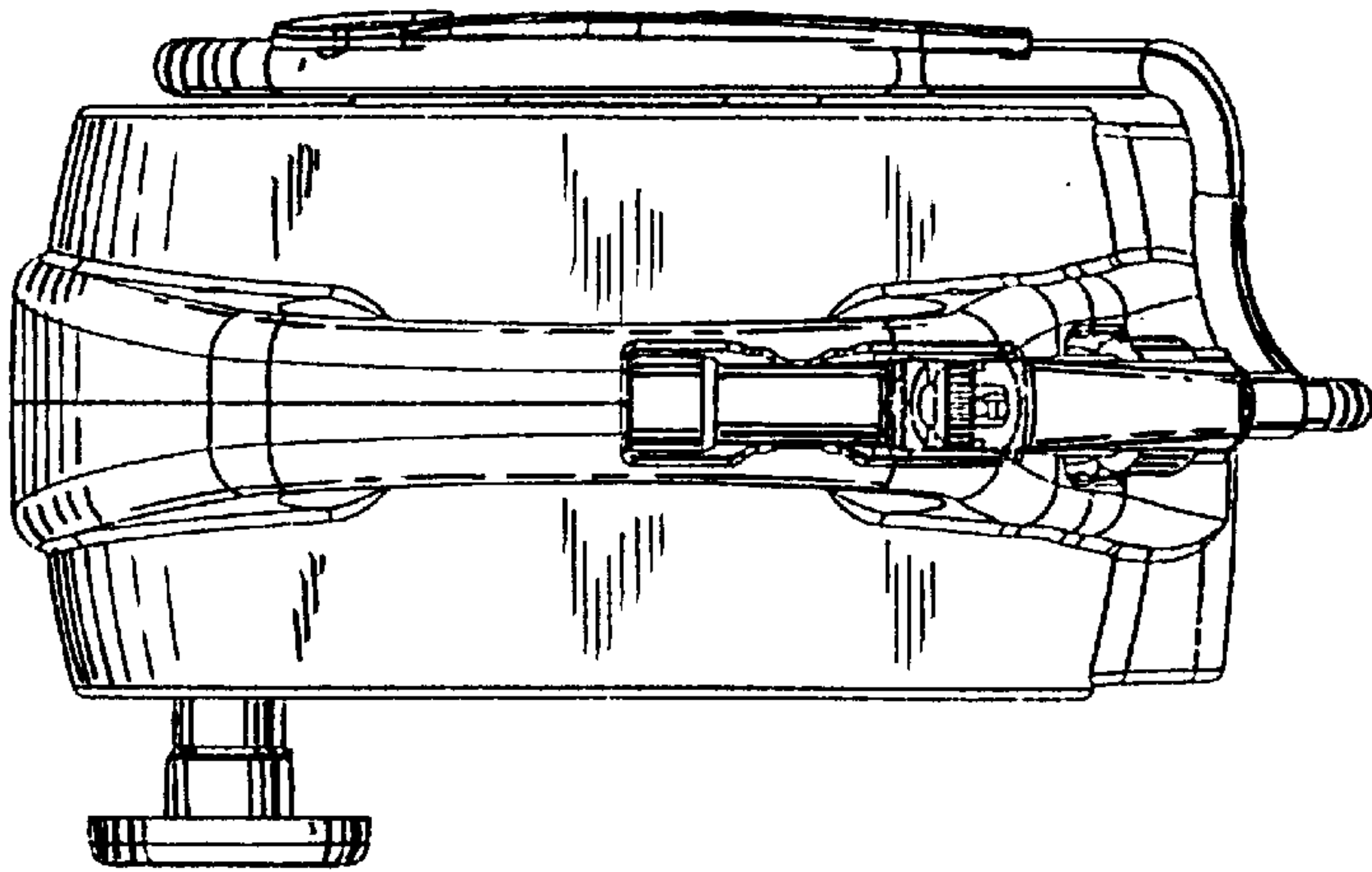


Fig. 7

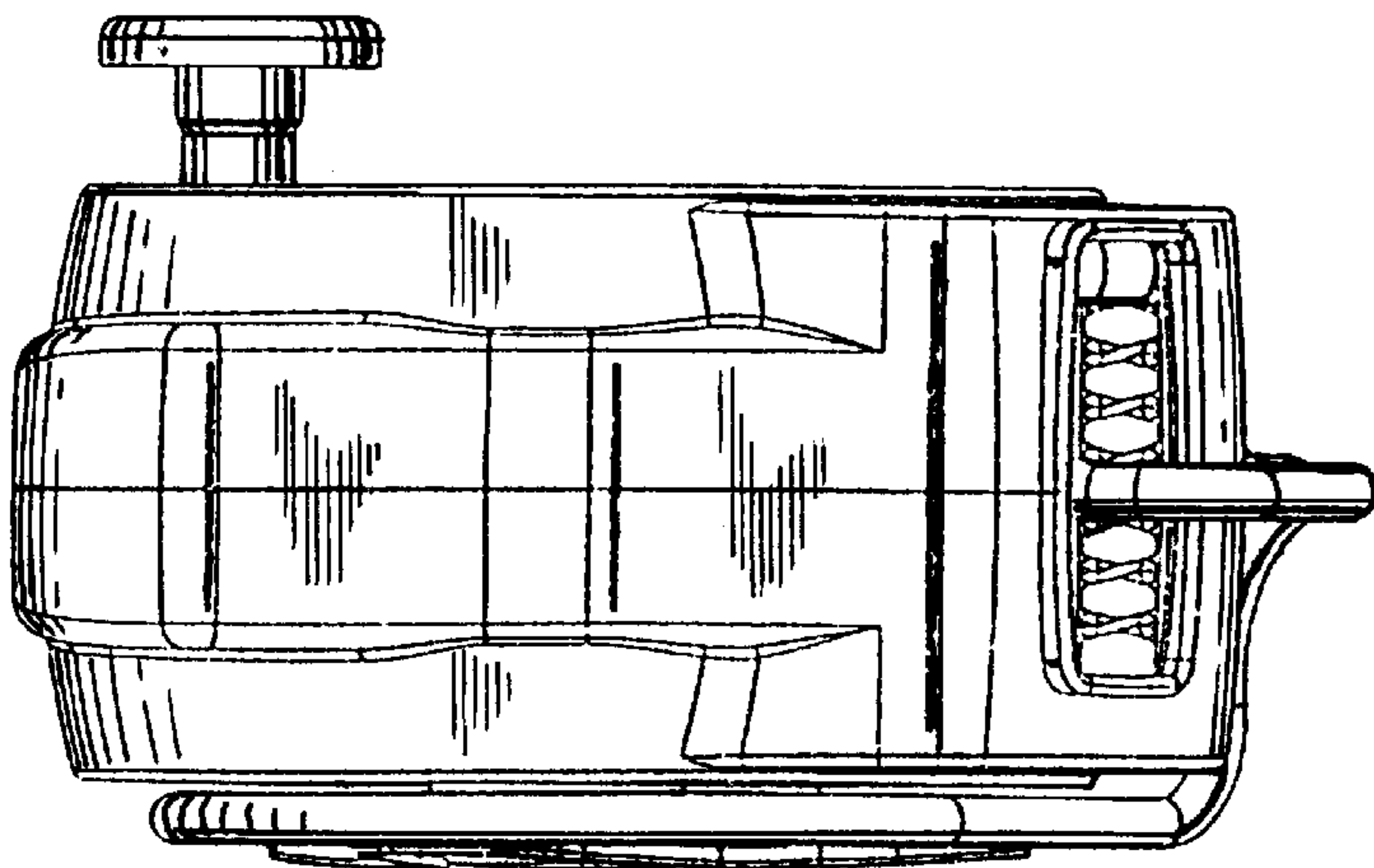


Fig. 8