



US00D404285S

United States Patent [19] Skudelny

[11] **Patent Number: Des. 404,285**

[45] **Date of Patent: **Jan. 19, 1999**

[54] **FITTING FOR A SHELF**

[76] Inventor: **Kai Skudelny**, via dealla Miniera, 8,
I-3908, Terlano, Italy

[**] Term: **14 Years**

[21] Appl. No.: **66,485**

[22] Filed: **Feb. 10, 1997**

[30] **Foreign Application Priority Data**

Aug. 14, 1996 [XH] Hague Agreement DM/037224

[51] **LOC (6) Cl. 58-05**

[52] **U.S. Cl. D8/354**

[58] **Field of Search D8/354, 363, 373,
D8/380, 381; 248/250, 235; D21/108**

[56] **References Cited**

U.S. PATENT DOCUMENTS

D. 270,034	8/1983	Shepard	D8/381
D. 287,569	1/1987	Shepard	D8/381
D. 386,145	11/1997	Staller	D8/380 X
3,606,229	9/1971	Wall	248/235 X
3,857,127	12/1974	Hendrickson	248/235 X
4,385,565	5/1983	Roberts et al.	248/235 X
4,765,575	8/1988	Bergl et al.	248/250
4,799,643	1/1989	Shepard	248/250 X
4,909,465	3/1990	Lyman	248/250

OTHER PUBLICATIONS

Conac Plastic Accessories, p. 1, Concrete Formers top, right section of page, Jul. 1987.

Primary Examiner—Susan J. Lucas
Assistant Examiner—Cynthia E. Ramirez
Attorney, Agent, or Firm—Shlesinger, Fitzsimmons and Shlesinger

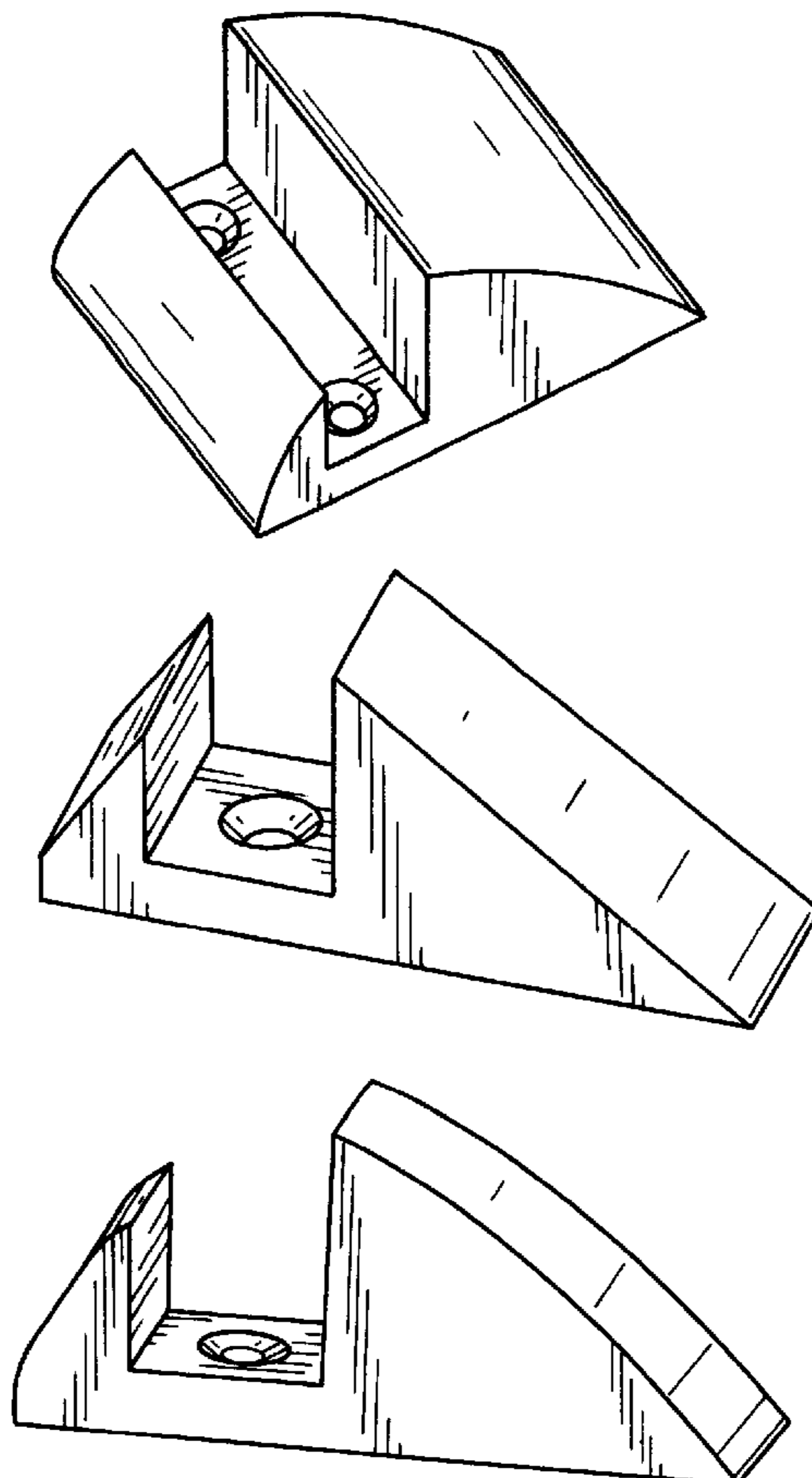
[57] **CLAIM**

The ornamental design for fitting for a shelf, as shown and described.

DESCRIPTION

FIG. 1 is a bottom perspective view of a fitting for a shelf showing a first embodiment of my new design; FIG. 2 is a top perspective view of the first embodiment; FIG. 3 is a side perspective view of the first embodiment; FIG. 4 is a bottom perspective view of a second embodiment of my new design; FIG. 5 is a top perspective view of the second embodiment; FIG. 6 is a side perspective view of the second embodiment; FIG. 7 is a bottom perspective view of a third embodiment of my new design; FIG. 8 is a top perspective view of the third embodiment; and, FIG. 9 is a side perspective view of the third embodiment.

1 Claim, 3 Drawing Sheets



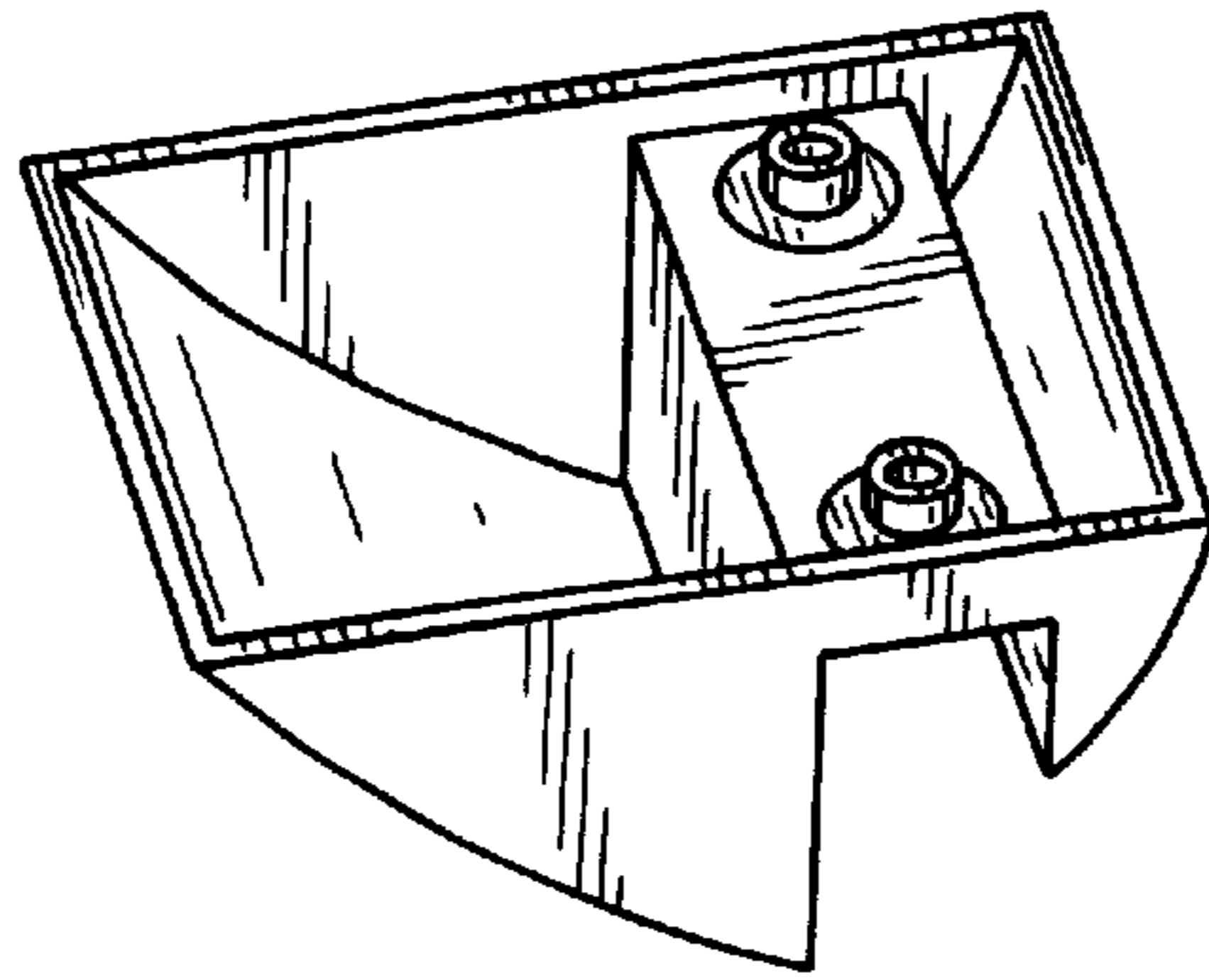


FIG. 1

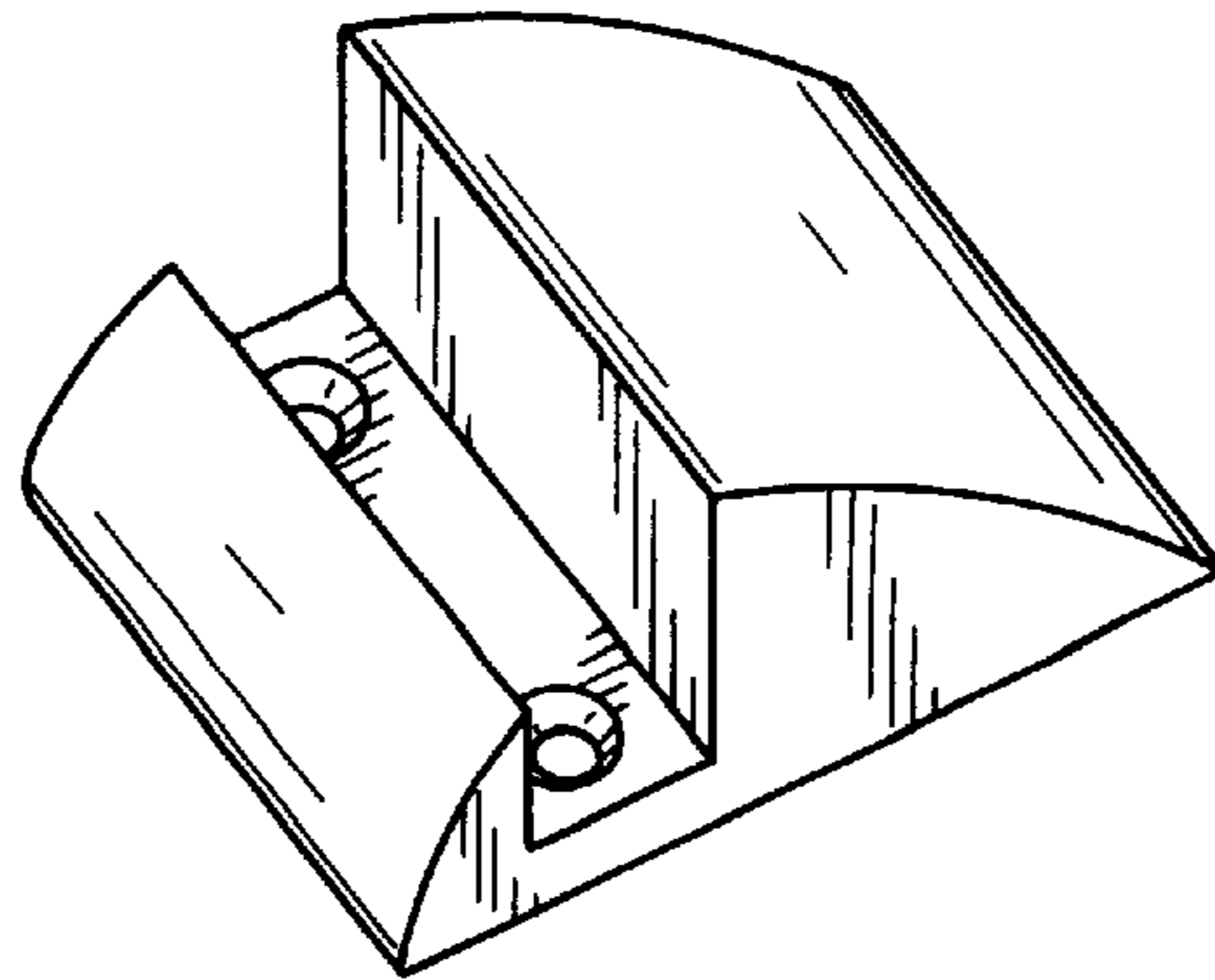


FIG. 2

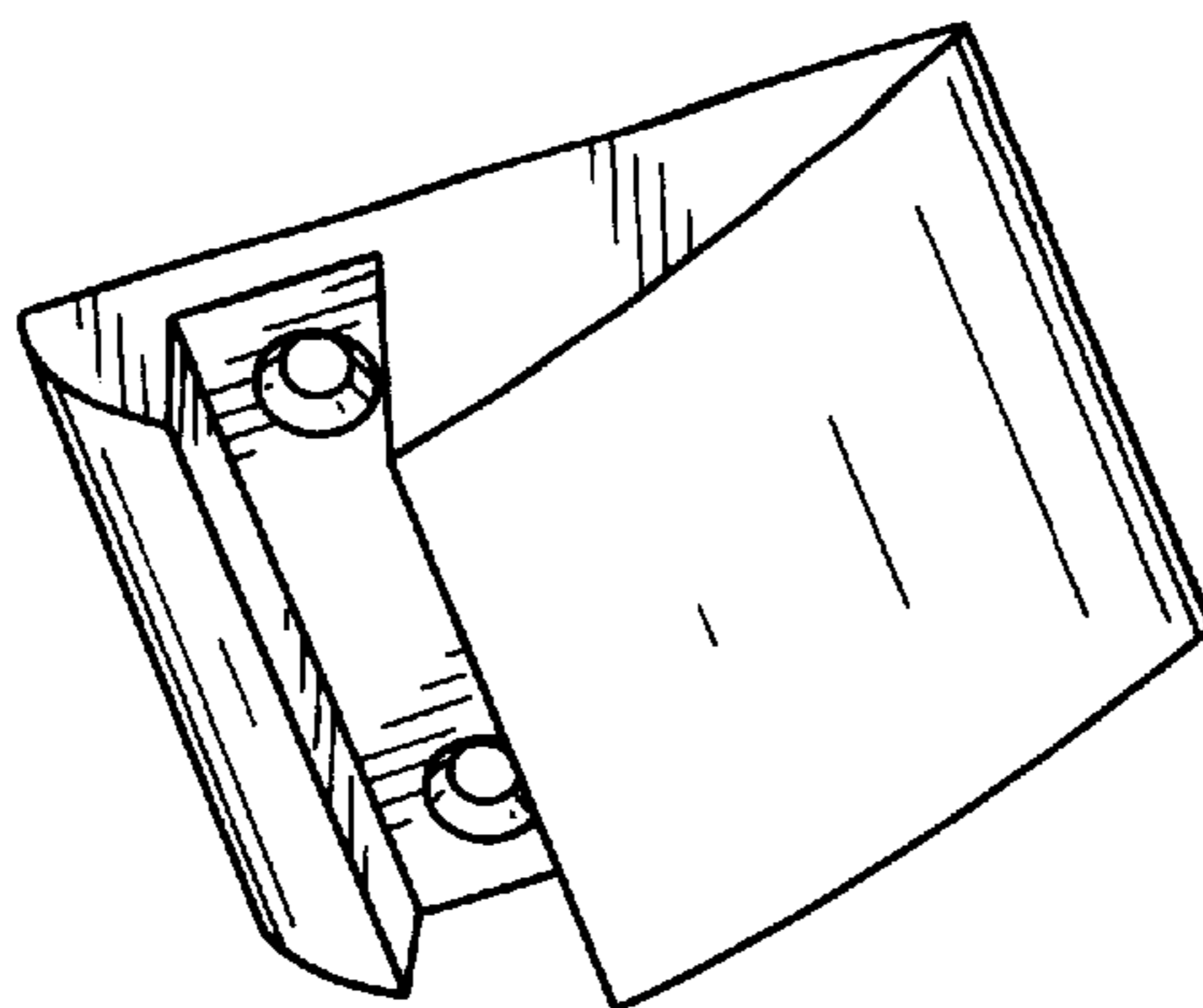


FIG. 3

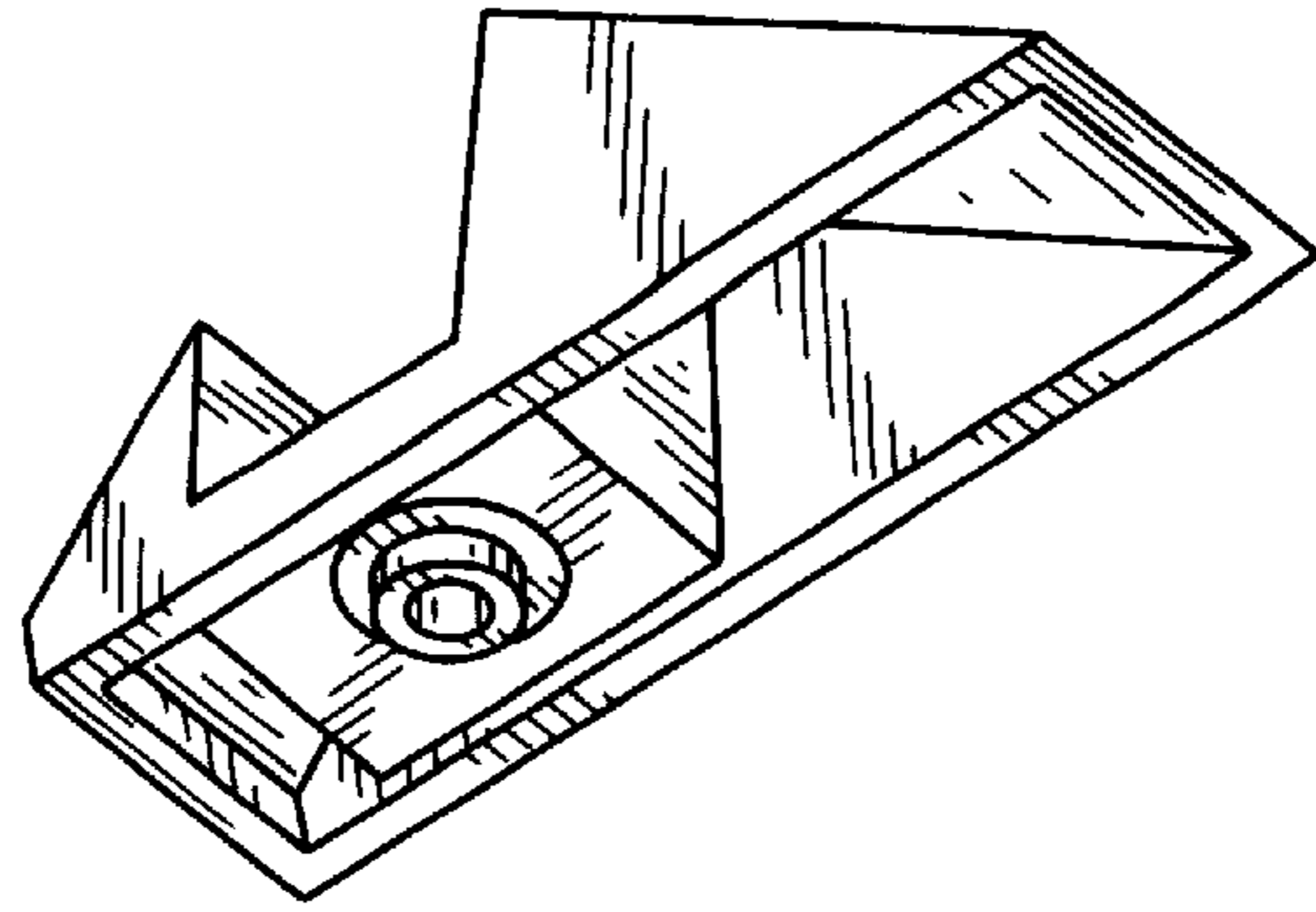


FIG. 4

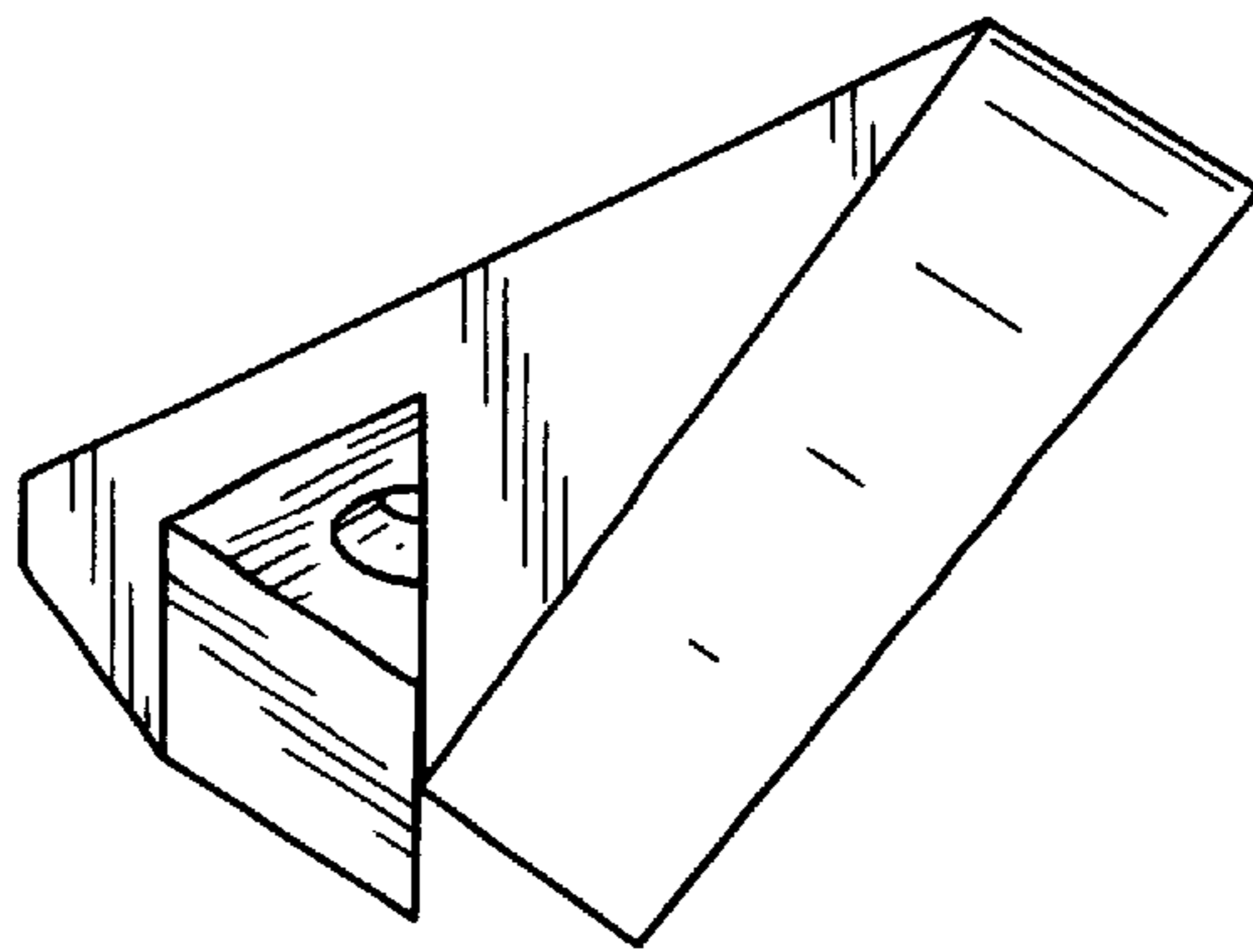


FIG. 5

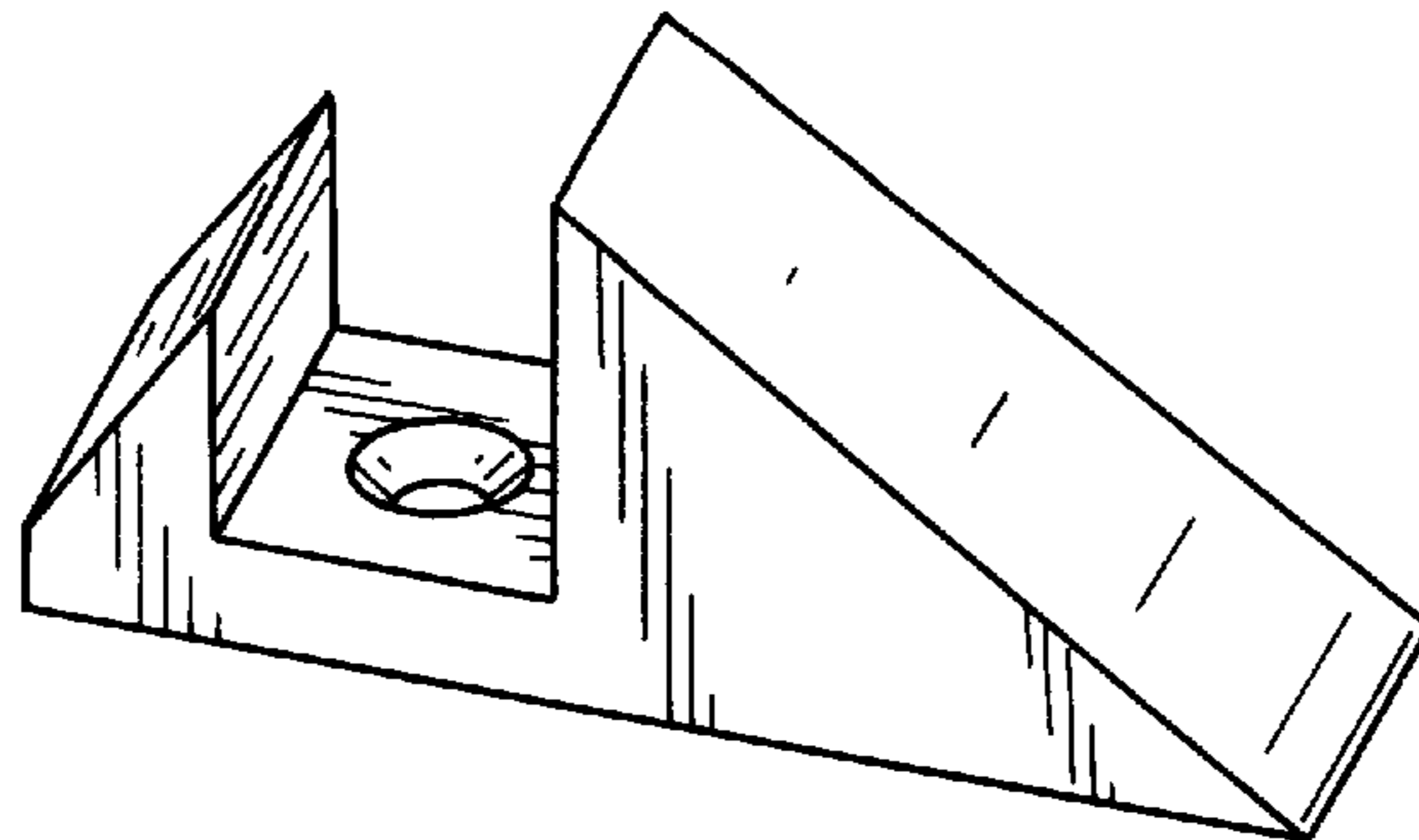


FIG. 6

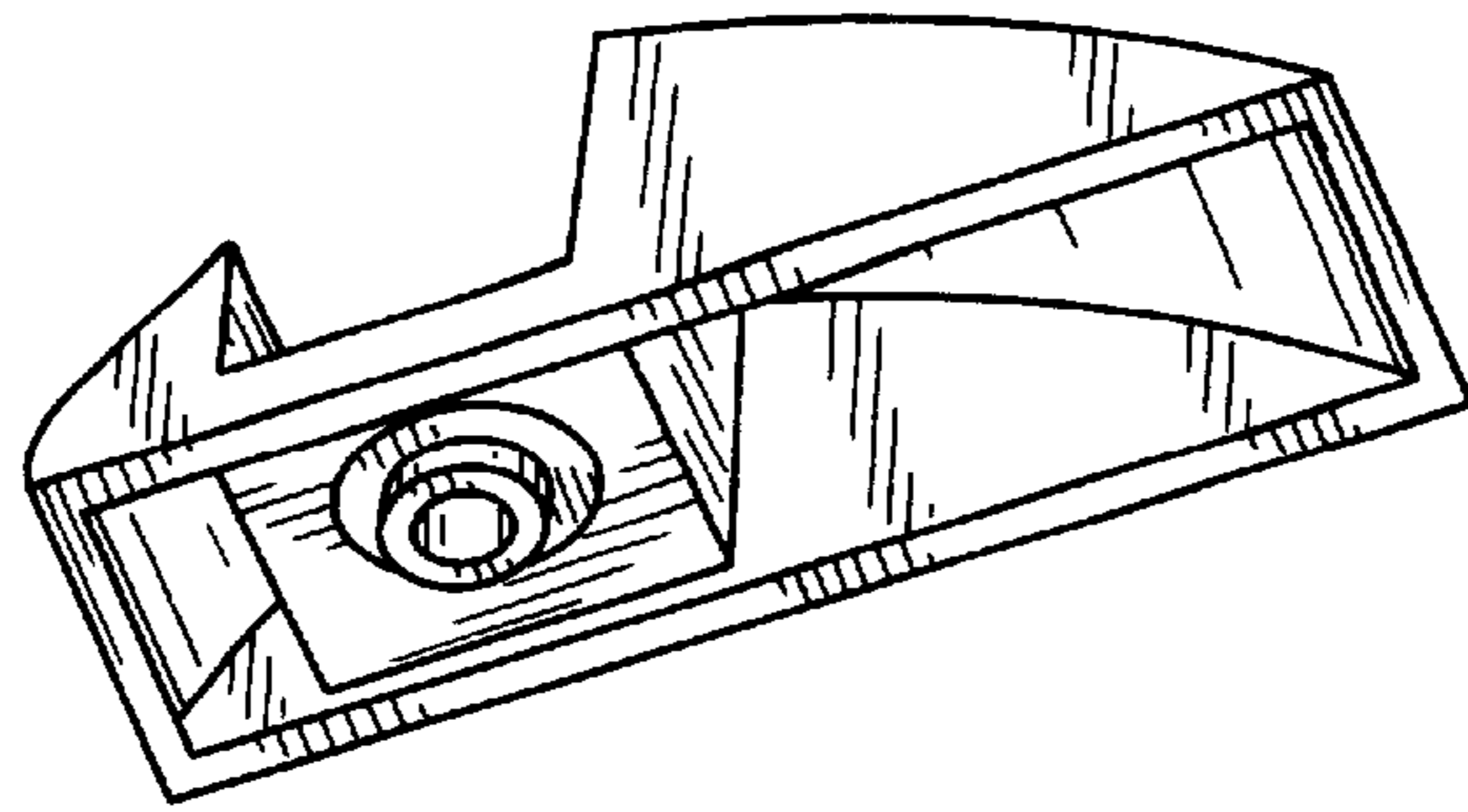


FIG. 7

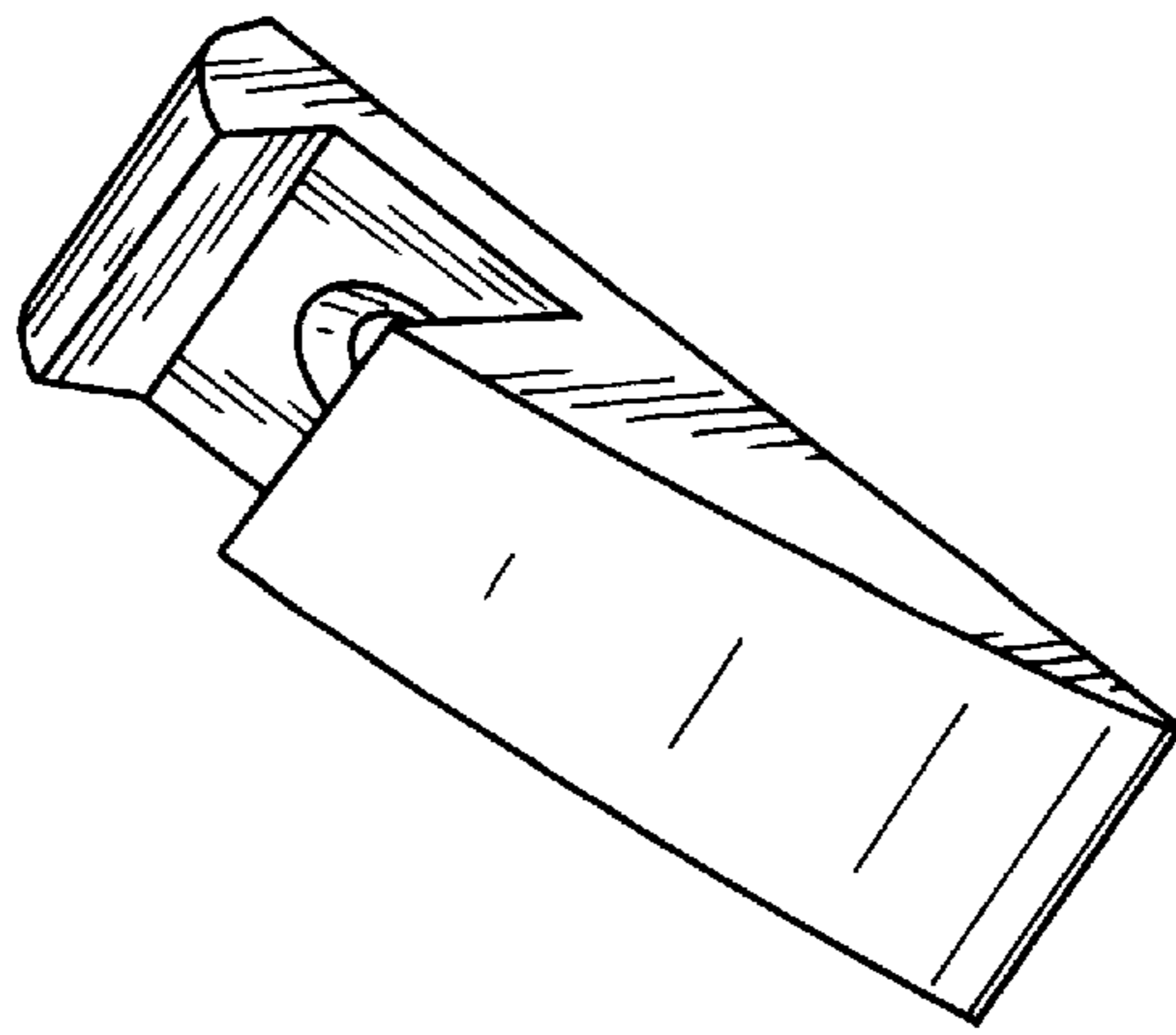


FIG. 8

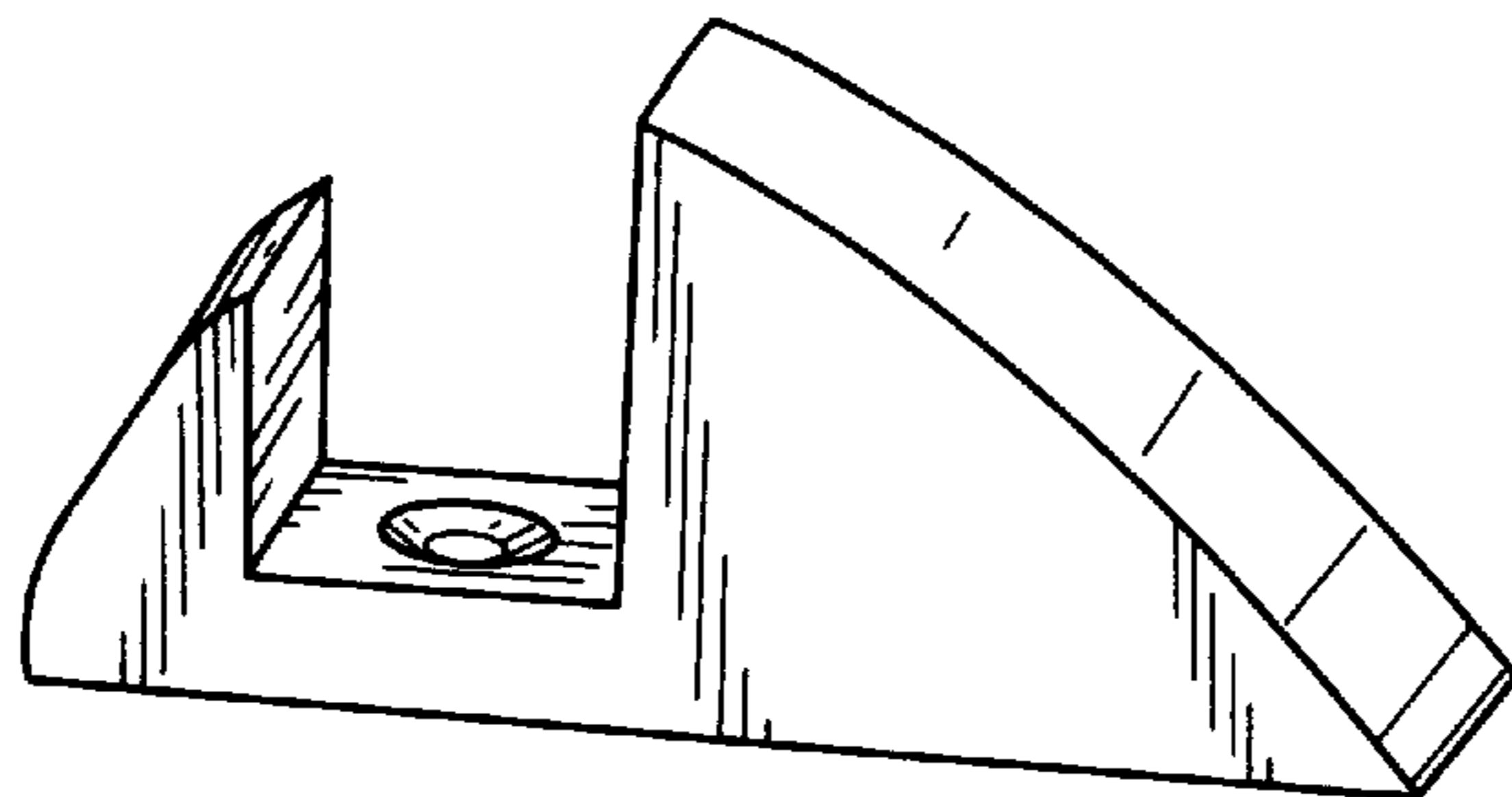


FIG. 9