



US00D404278S

United States Patent [19] Gore

[11] Patent Number: **Des. 404,278**

[45] Date of Patent: ****Jan. 19, 1999**

[54] **COMBINATION KNIFE AND SCISSORS SHARPENER**

[76] Inventor: **Fred M. Gore**, 2214 Salem St., Carrollton, Tex. 75006

[**] Term: **14 Years**

[21] Appl. No.: **71,319**

[22] Filed: **May 27, 1997**

[51] **LOC (6) Cl.** **08-05**

[52] **U.S. Cl.** **D8/93; D8/91**

[58] **Field of Search** D8/90, 91, 92, D8/93; 451/557, 558; 76/82, 82.1, 83, 88

[56] **References Cited**

U.S. PATENT DOCUMENTS

D. 184,423	2/1959	Curley, Sr.	D8/93
D. 234,802	4/1975	Gore et al. .	
D. 235,801	7/1975	Gore .	
D. 237,086	10/1975	Gore .	
D. 245,191	7/1977	Gore	D30/99
D. 247,173	2/1978	Peter et al.	D14/43
D. 263,136	2/1982	Gore	D14/1
D. 264,176	5/1982	Linden	D8/93
D. 266,393	10/1982	Mayor et al.	D8/93
D. 273,123	3/1984	Gore	D20/6
D. 273,203	3/1984	Gore	D20/6
D. 273,595	4/1984	Gore	D20/6
D. 273,686	5/1984	Gore	D20/6
D. 276,884	12/1984	Carter	D8/93
D. 276,885	12/1984	Hall	D8/93
D. 277,166	1/1985	Call	D8/93

D. 298,625	11/1988	Gore	D14/102
D. 332,210	1/1993	Linden	D8/93
D. 343,340	1/1994	Frye, Jr. et al.	D7/629
D. 378,978	4/1997	Frye, Jr. et al.	D7/673

OTHER PUBLICATIONS

Product Brochure for "Dual Sharpener," The Pampered Chef.

Product Brochure for "Jiff-V-Sharp Knife Sharpener," Jokari/US, Inc.

Primary Examiner—Philip S. Hyder
Attorney, Agent, or Firm—Jenkins & Gilchrist

[57] **CLAIM**

The ornamental design for the combination knife and scissors sharpener, as shown and described.

DESCRIPTION

FIG. 1 is a perspective view of the combination knife and scissors sharpener;
 FIG. 2 is a front elevational view of the combination knife and scissors sharpener;
 FIG. 3 is a side elevational view from the right side of the combination knife and scissors sharpener, which is identical to the side elevational view taken from the left side;
 FIG. 4 is a rear elevational view of the combination knife and scissors sharpener;
 FIG. 5 is a bottom plan view of the combination knife and scissors sharpener; and,
 FIG. 6 is a top plan view of the combination knife and scissors sharpener.

1 Claim, 2 Drawing Sheets

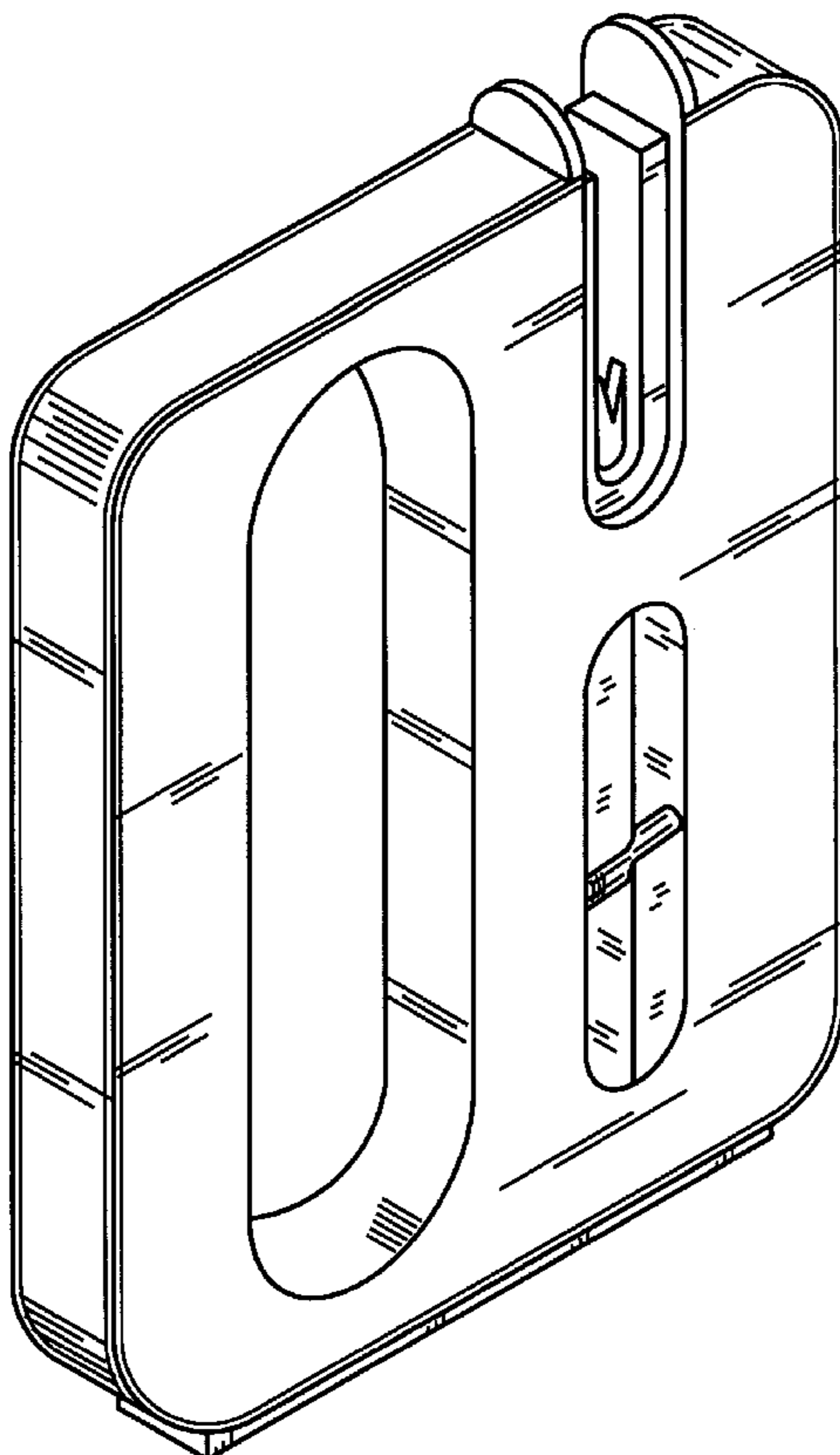


FIG. 1

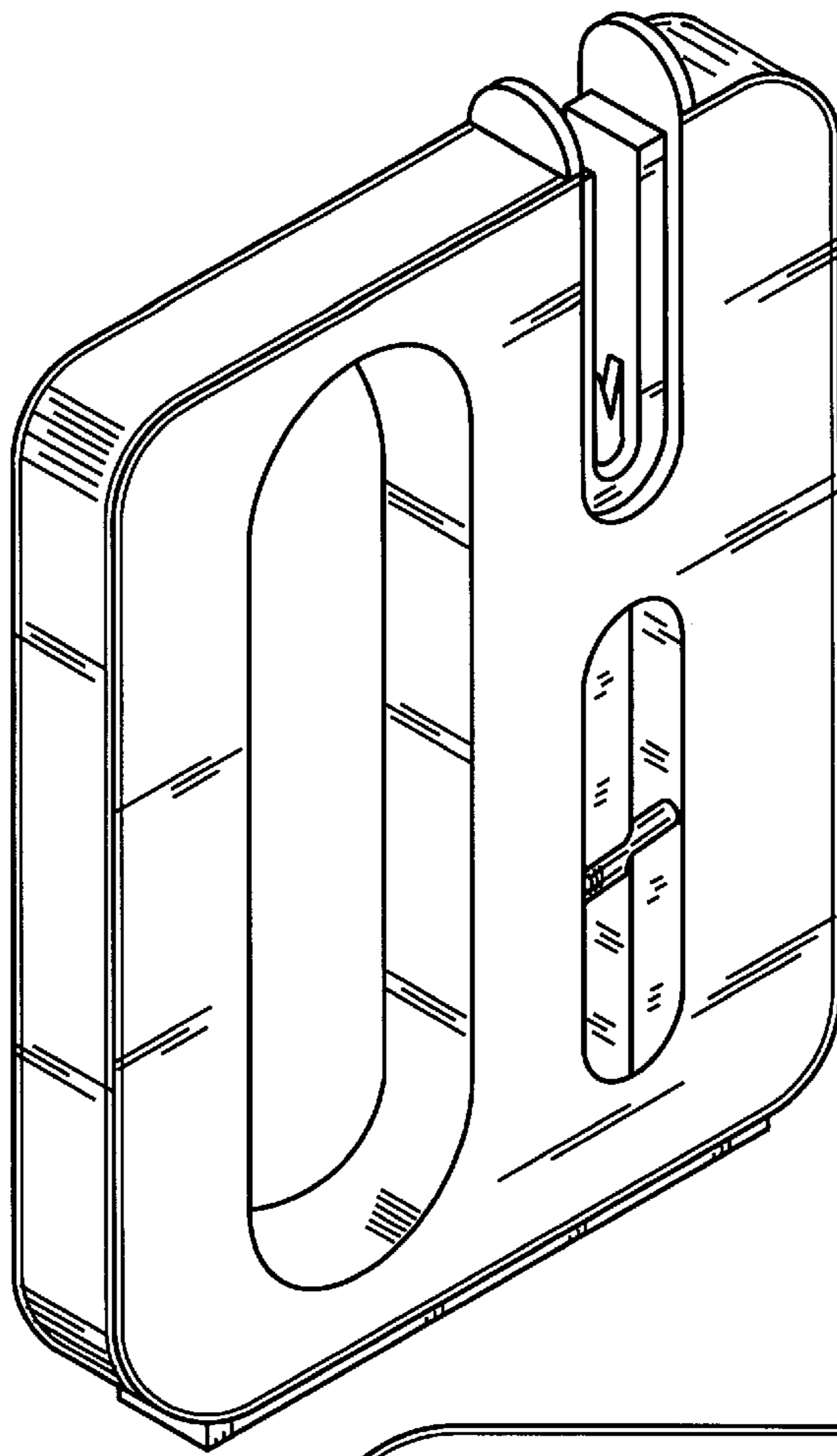


FIG. 3

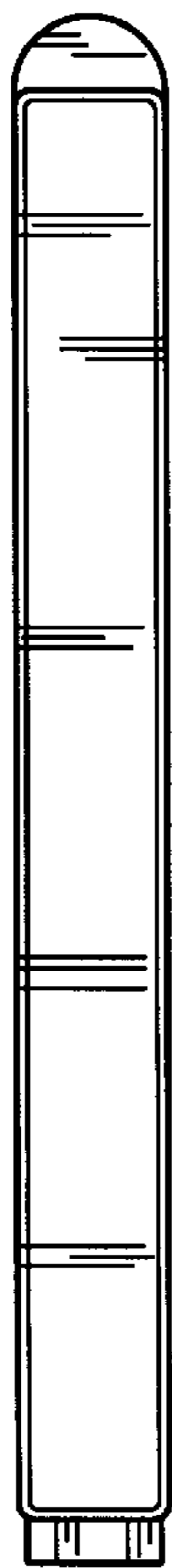
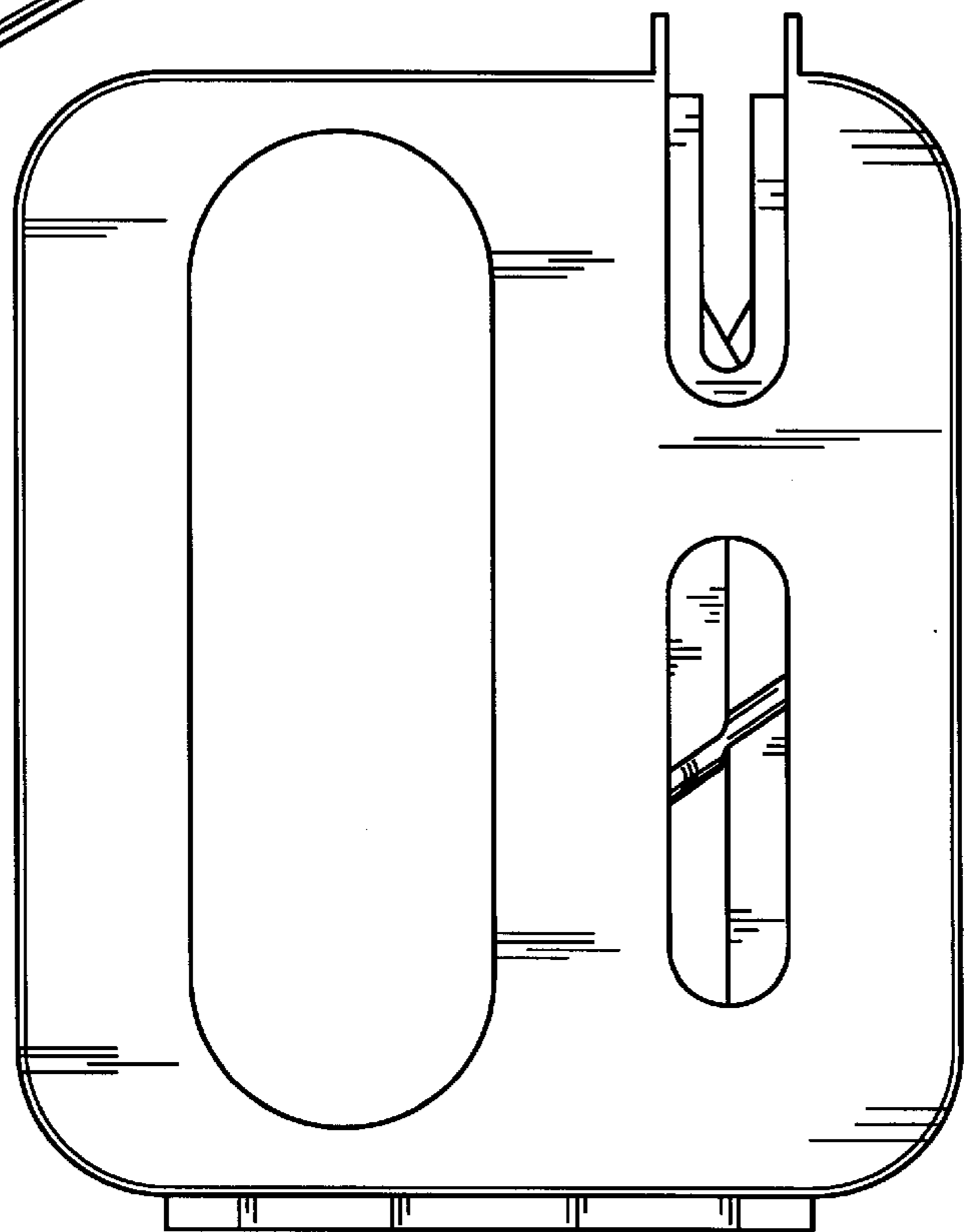


FIG. 2



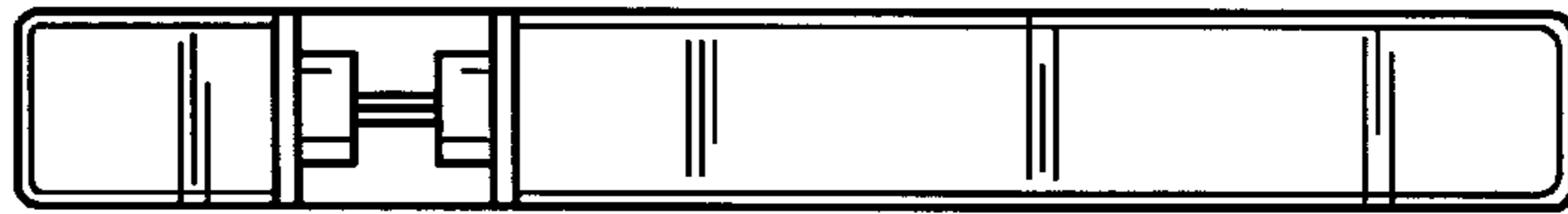


FIG. 6

FIG. 4

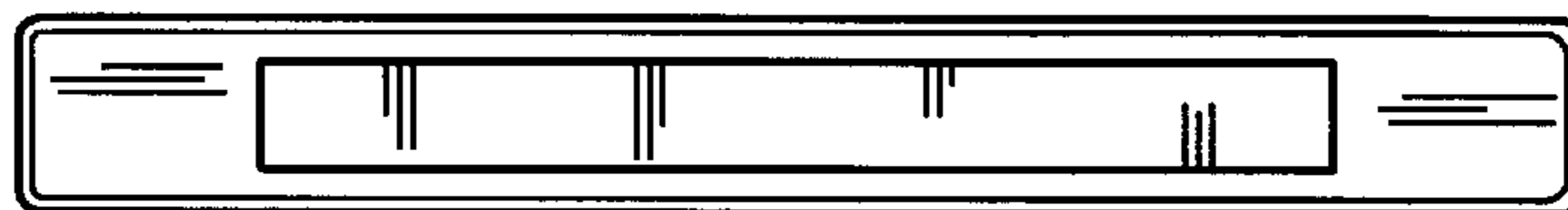
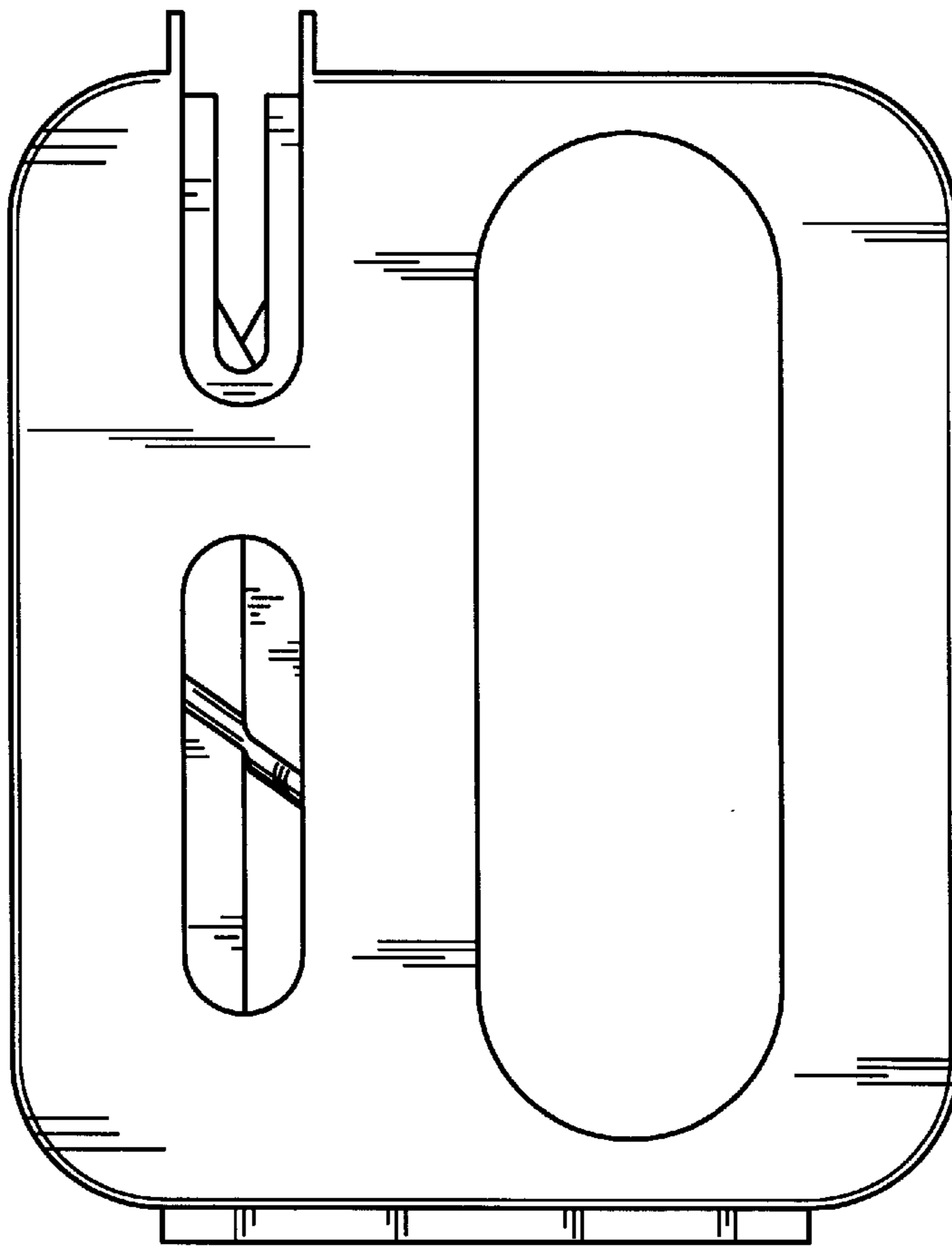


FIG. 5