



US00D404276S

United States Patent [19]
Ghode et al.

[11] **Patent Number: Des. 404,276**

[45] **Date of Patent: **Jan. 19, 1999**

[54] **CORDLESS IMPACT WRENCH**

5,412,546 5/1995 Huang 81/57.14 X

[75] Inventors: **Anil P. Ghode**, Libertyville, Ill.;
Martin S. Scolaro, Racine, Wis.; **Paul W. Griffin**, Kenosha, Wis.; **Scott H. Micoley**, Cedarburg, Wis.

Primary Examiner—Antoine Duval Davis
Attorney, Agent, or Firm—Emrich & Dithmar

[73] Assignee: **Snap-on Tools Company**, Kenosha, Wis.

[57] **CLAIM**

The ornamental design for the cordless impact wrench, as shown and described.

[**] Term: **14 Years**

DESCRIPTION

[21] Appl. No.: **82,679**

FIG. 1 is a perspective view of the cordless impact wrench showing our new design;

[22] Filed: **Jan. 28, 1998**

FIG. 2 is a elevational view of one side thereof, the other side being identical;

[51] **LOC (6) Cl.** **08-03**

FIG. 3 is a rear elevational view thereof;

[52] **U.S. Cl.** **D8/68**

FIG. 4 is a front elevational view thereof;

[58] **Field of Search** D8/68, 69; 81/54,
81/57.13, 57.14; 173/169, 170; 408/124,
125

FIG. 5 is a top plan view thereof; and,

FIG. 6 is a bottom plan thereof.

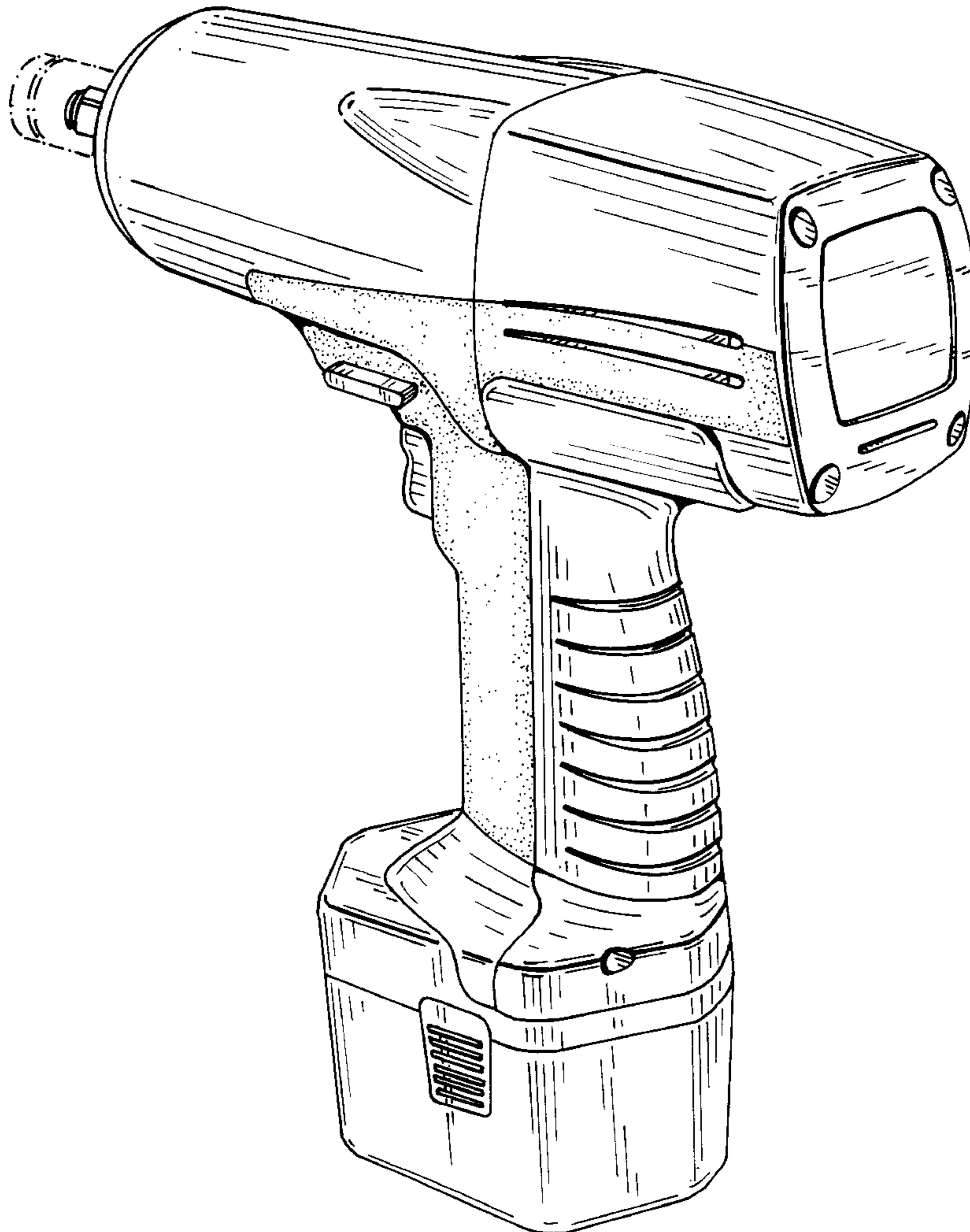
The broken line showing in FIG. 1 is for illustrative purposes only and forms no part of the claimed design.

[56] **References Cited**

U.S. PATENT DOCUMENTS

D. 378,891 4/1997 Sung D8/68

1 Claim, 4 Drawing Sheets



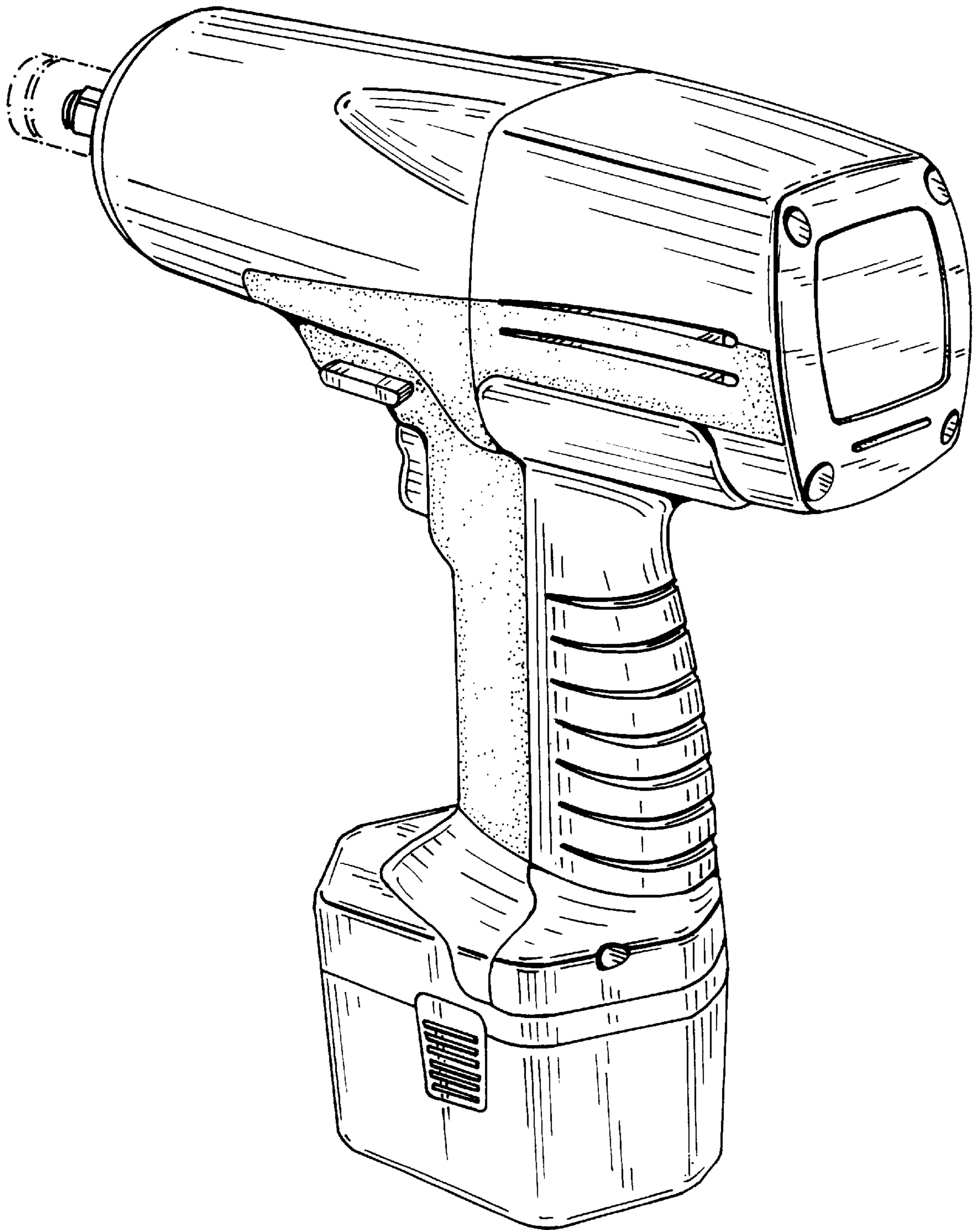


FIG. 1

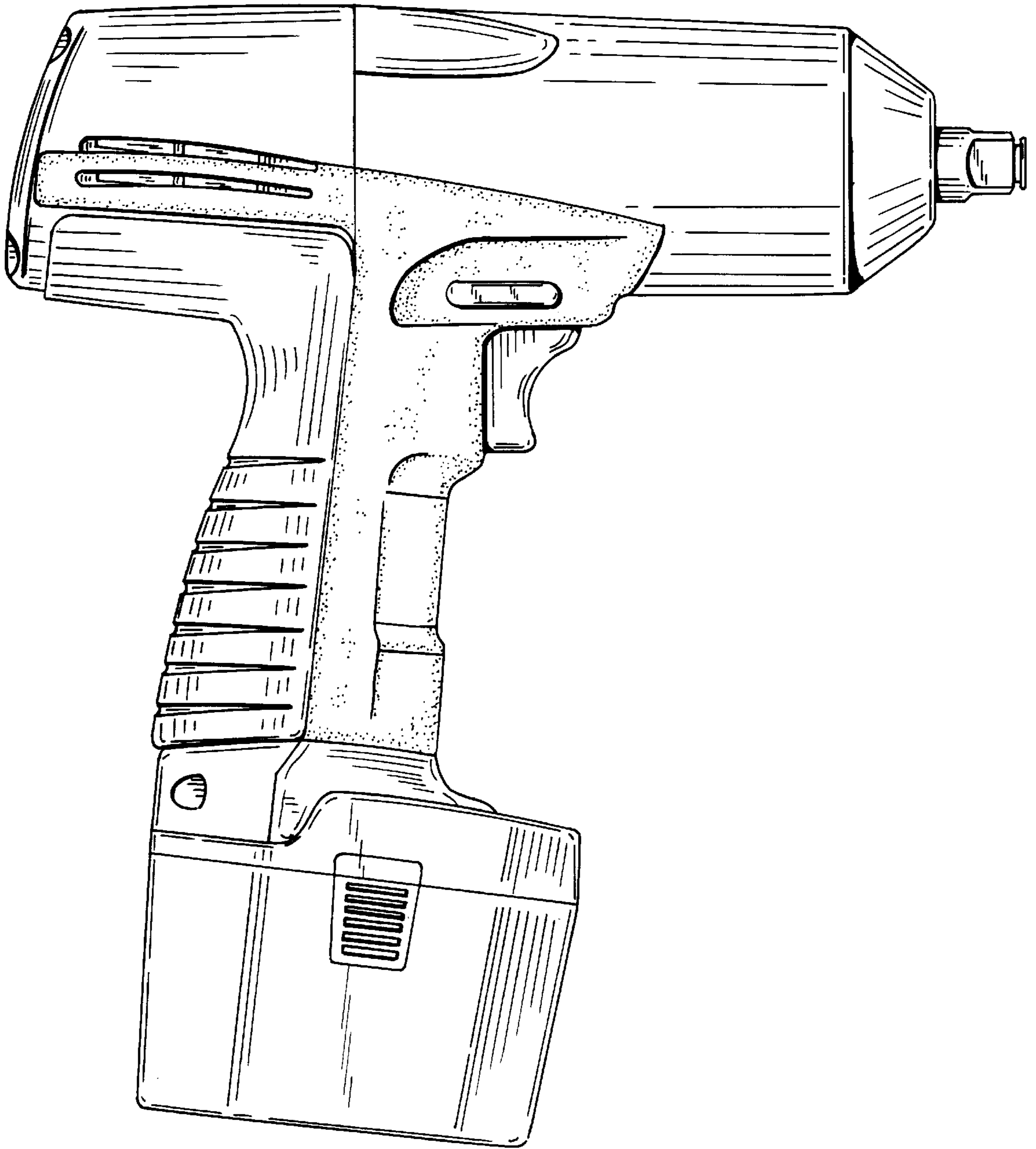


FIG. 2

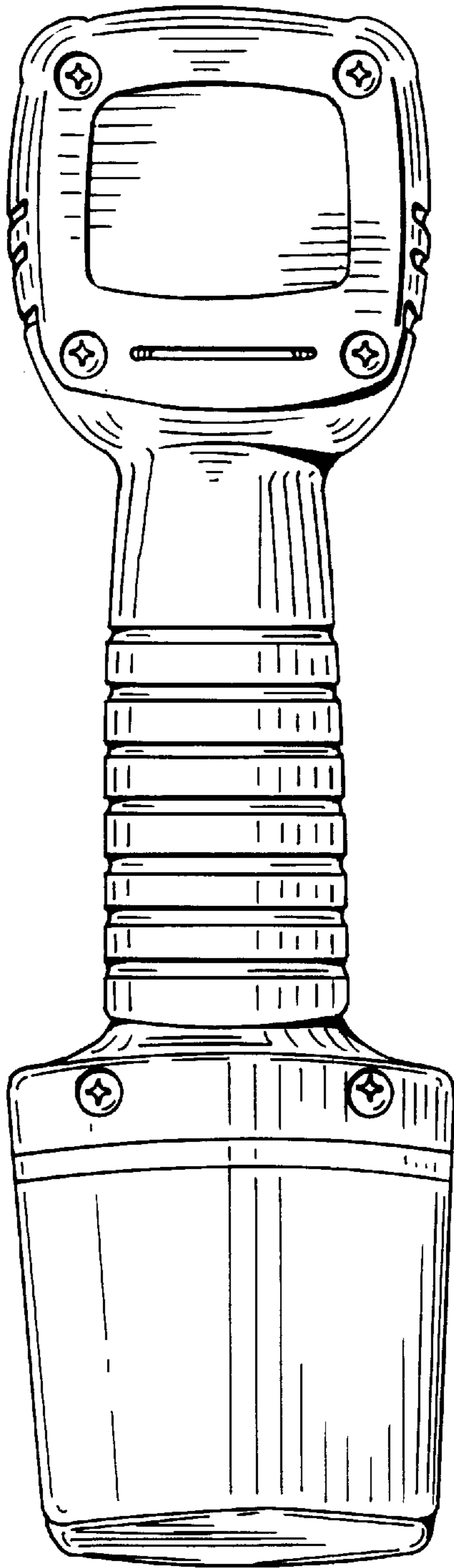


FIG. 3

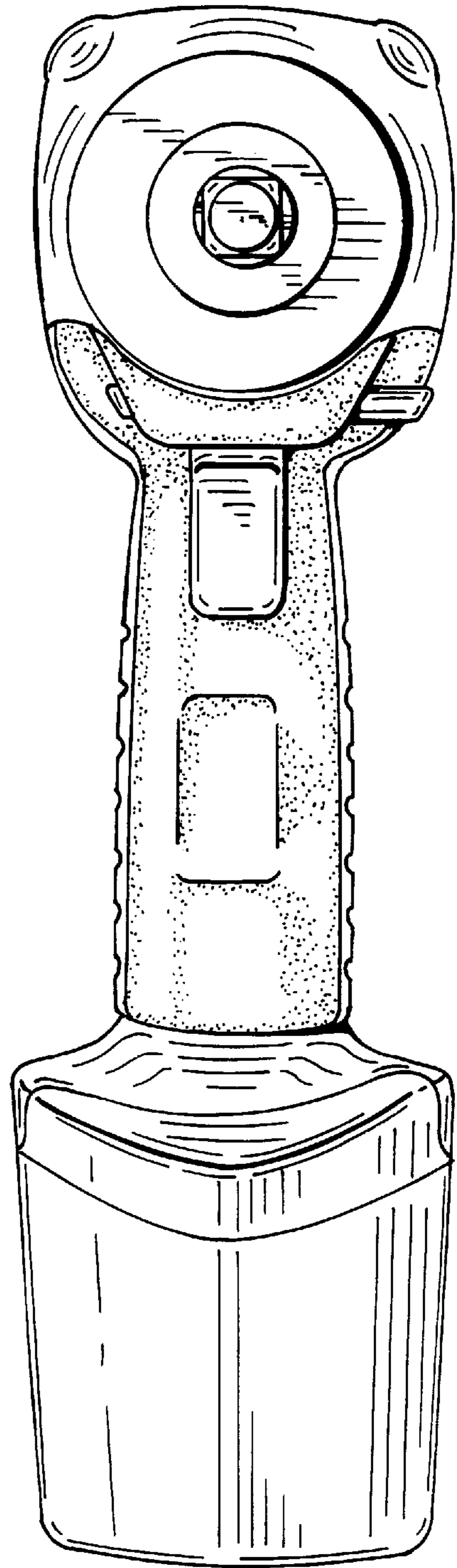


FIG. 4

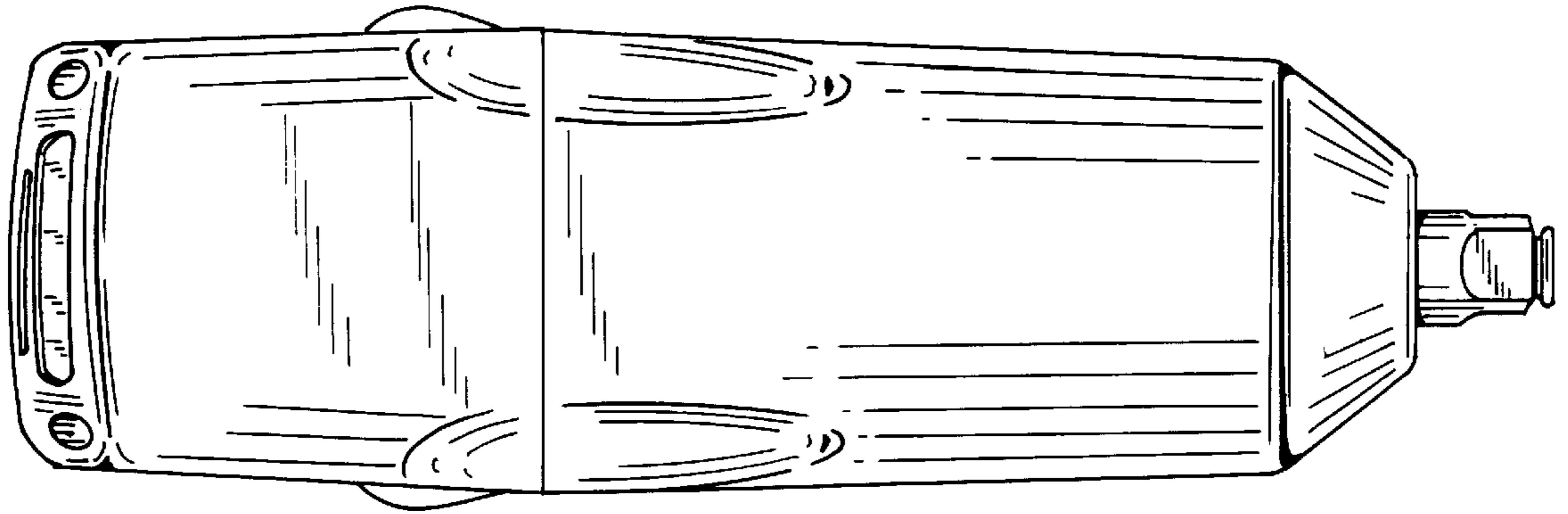


FIG. 5

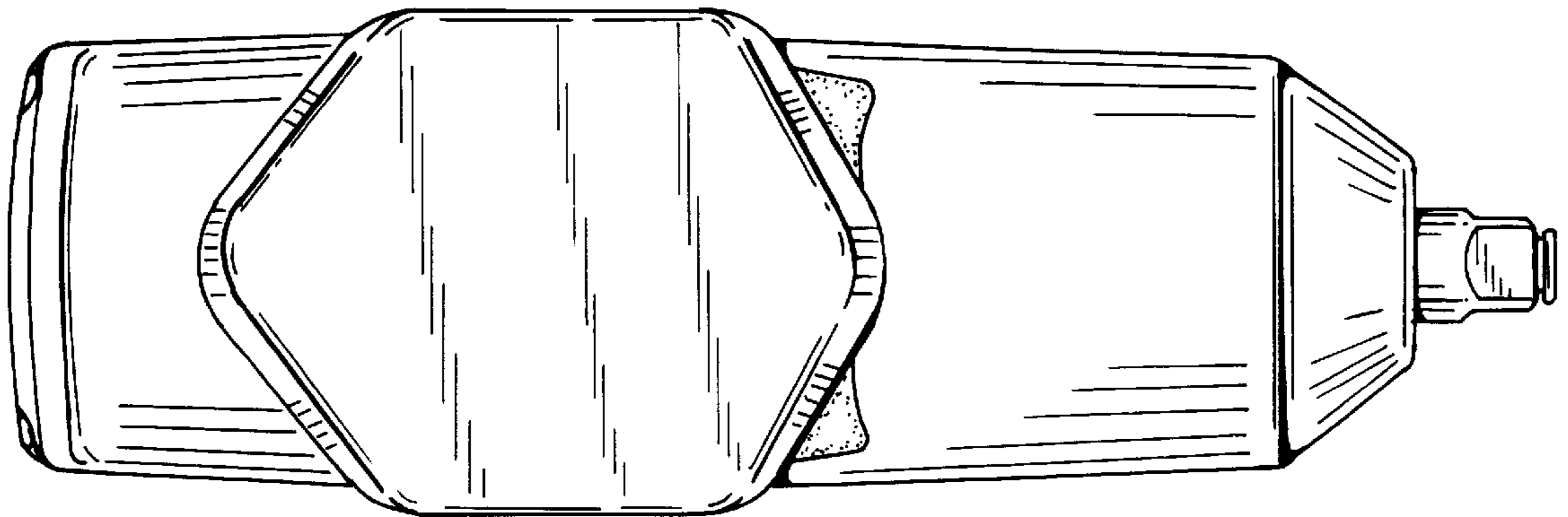


FIG. 6