

US00D404275S

**United States Patent** [19]  
**Bunyea et al.**

[11] **Patent Number: Des. 404,275**  
[45] **Date of Patent: \*\*Jan. 19, 1999**

[54] **DRILL**

5,230,261 7/1993 Akazawa et al. .... 81/54

[75] Inventors: **Roderick F. Bunyea**, Westminster, Md.;  
**Tak Keung Cheung**, Kwai Chung,  
Hong Kong; **Robert I. Somers**,  
Reisterstown, Md.

**FOREIGN PATENT DOCUMENTS**

M 9401137 8/1994 Germany .  
M 940141 8/1994 Germany .

[73] Assignee: **Black & Decker Inc.**, Newark, Del.

**OTHER PUBLICATIONS**

Black & Decker Ranger Cordless Drill Model 9052KC,  
*Black & Decker Power Tools Catalog* 1993-94, p. 2.

[\*\*] Term: **14 Years**

*Primary Examiner*—Robert M. Spear  
*Attorney, Agent, or Firm*—Bruce S. Shapiro; Dennis A.  
Dearing; John D. Del Ponti

[21] Appl. No.: **63,688**

[22] Filed: **Nov. 20, 1996**

[57] **CLAIM**

The ornamental design for a drill, as shown and described.

**Related U.S. Application Data**

**DESCRIPTION**

[63] Continuation of Ser. No. 42,492, Aug. 11, 1995, abandoned,  
and a continuation-in-part of Ser. No. 27,098, Aug. 12, 1994,  
abandoned.

FIG. 1 is a perspective view of a first embodiment of a drill  
showing our new design;

[51] **LOC (6) Cl.** ..... **08-01**

[52] **U.S. Cl.** ..... **D8/68**

[58] **Field of Search** ..... D8/61, 68; 81/54,  
81/57.11, 57.13, 57.14, 177.4; 173/170;  
239/525, 526, 527, 528, 589; 408/124,  
125

FIG. 2 is a left side elevational view of the first embodiment;  
FIG. 3 is a right side elevational view of the first embodi-  
ment;

[56] **References Cited**

**U.S. PATENT DOCUMENTS**

- D. 295,141 4/1988 Hoshino et al. .
- D. 296,072 6/1988 Mochida .
- D. 296,655 7/1988 Yonezawa et al. .
- D. 300,502 4/1989 Schultz .
- D. 300,503 4/1989 Schultz .
- D. 300,717 4/1989 Hasegawa et al. .
- D. 302,646 8/1989 Sasaki et al. .
- D. 314,498 2/1991 Hoshino et al. .
- D. 315,282 3/1991 Schmidt et al. .
- D. 323,606 2/1992 Chang ..... D8/68
- D. 332,208 1/1993 Sakamoto et al. .
- D. 335,073 4/1993 Anthony et al. .
- D. 337,710 7/1993 Lui et al. .... D8/68
- D. 339,727 9/1993 Kikuchi .
- D. 340,393 10/1993 Okumura .
- D. 345,090 3/1994 Okumura .

FIG. 4 is a front elevational view of the first embodiment;  
FIG. 5 is a rear elevational view of the first embodiment;  
FIG. 6 is a top plan view of the first embodiment;

FIG. 7 is a bottom plan view of the first embodiment;  
FIG. 8 is a perspective view of a second embodiment of a  
drill showing our new design. The chuck is shown in dotted  
lines and forms no part of our new design;

FIG. 9 is a left side elevational view of the second embodi-  
ment. The right side elevational view is identical to the first  
embodiment shown in FIG. 3;

FIG. 10 is a bottom plan view of the second embodiment;  
FIG. 11 is a top plan view of the second embodiment;  
FIG. 12 is a front elevational view of the second embodi-  
ment; and,

FIG. 13 is a rear elevational view of the second embodiment.  
The broken line showing of a chuck in the figures is for  
illustrative purposes only and forms no part of the claimed  
design.

**1 Claim, 7 Drawing Sheets**

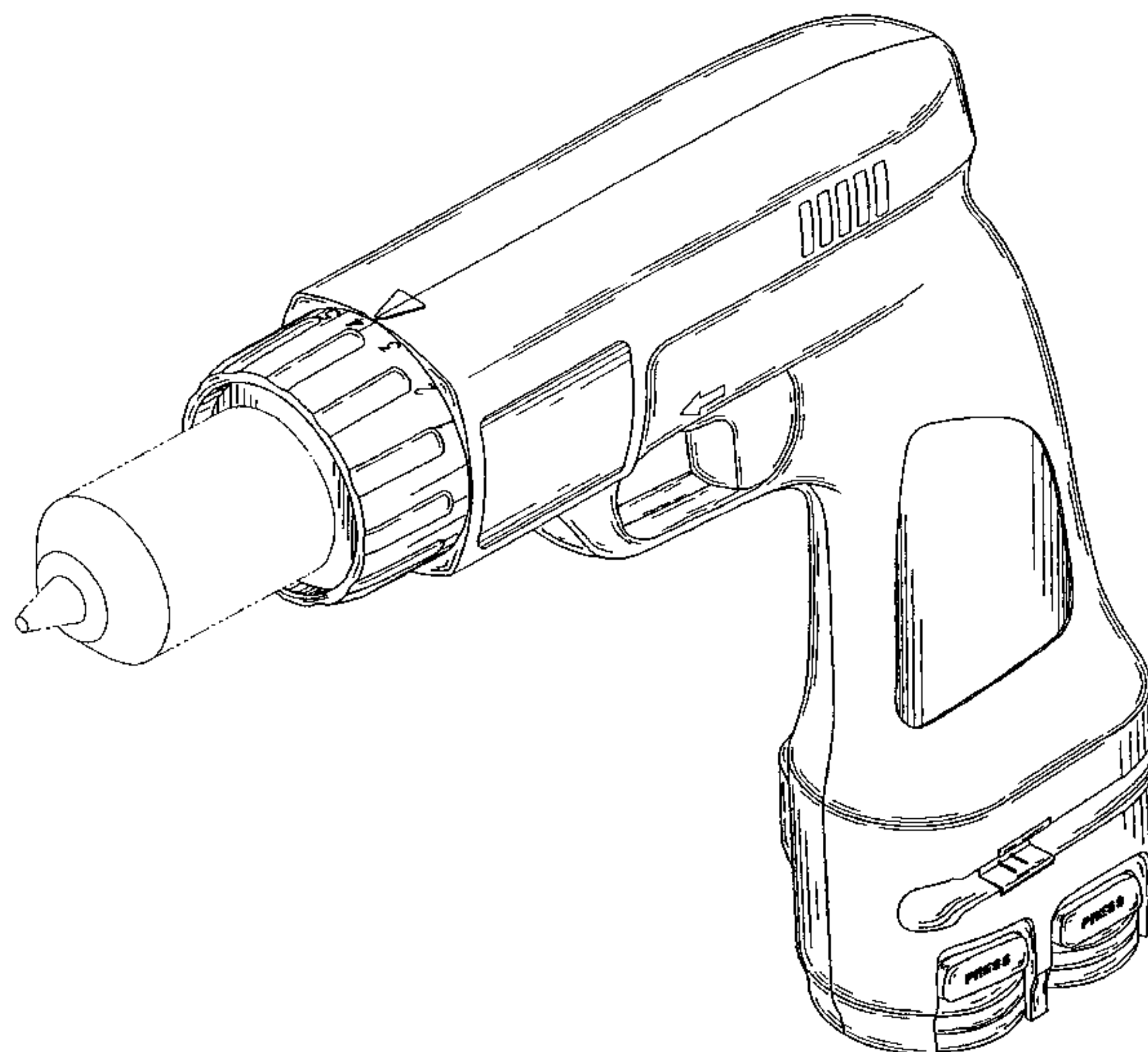


FIG. 1

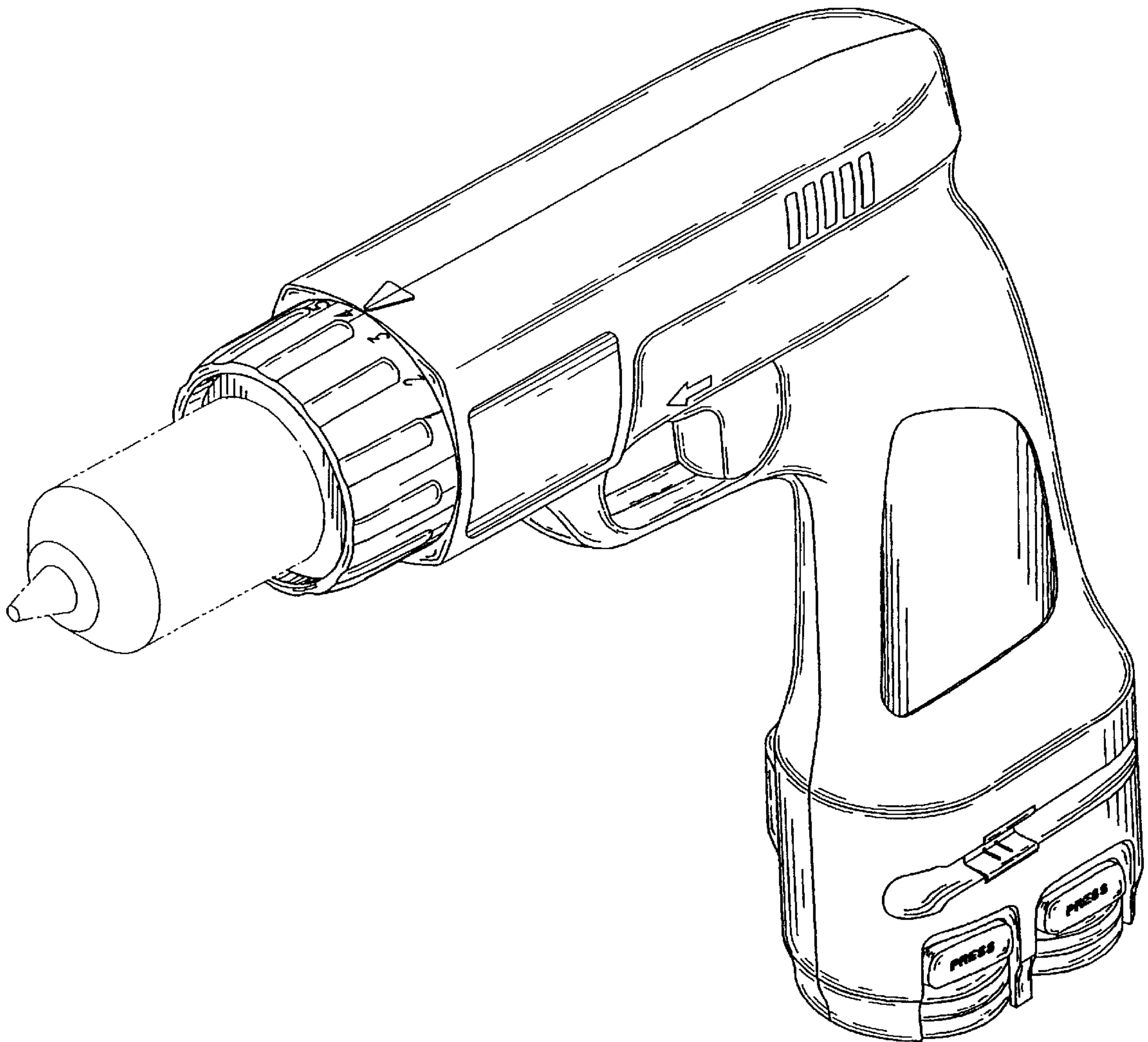


FIG. 2

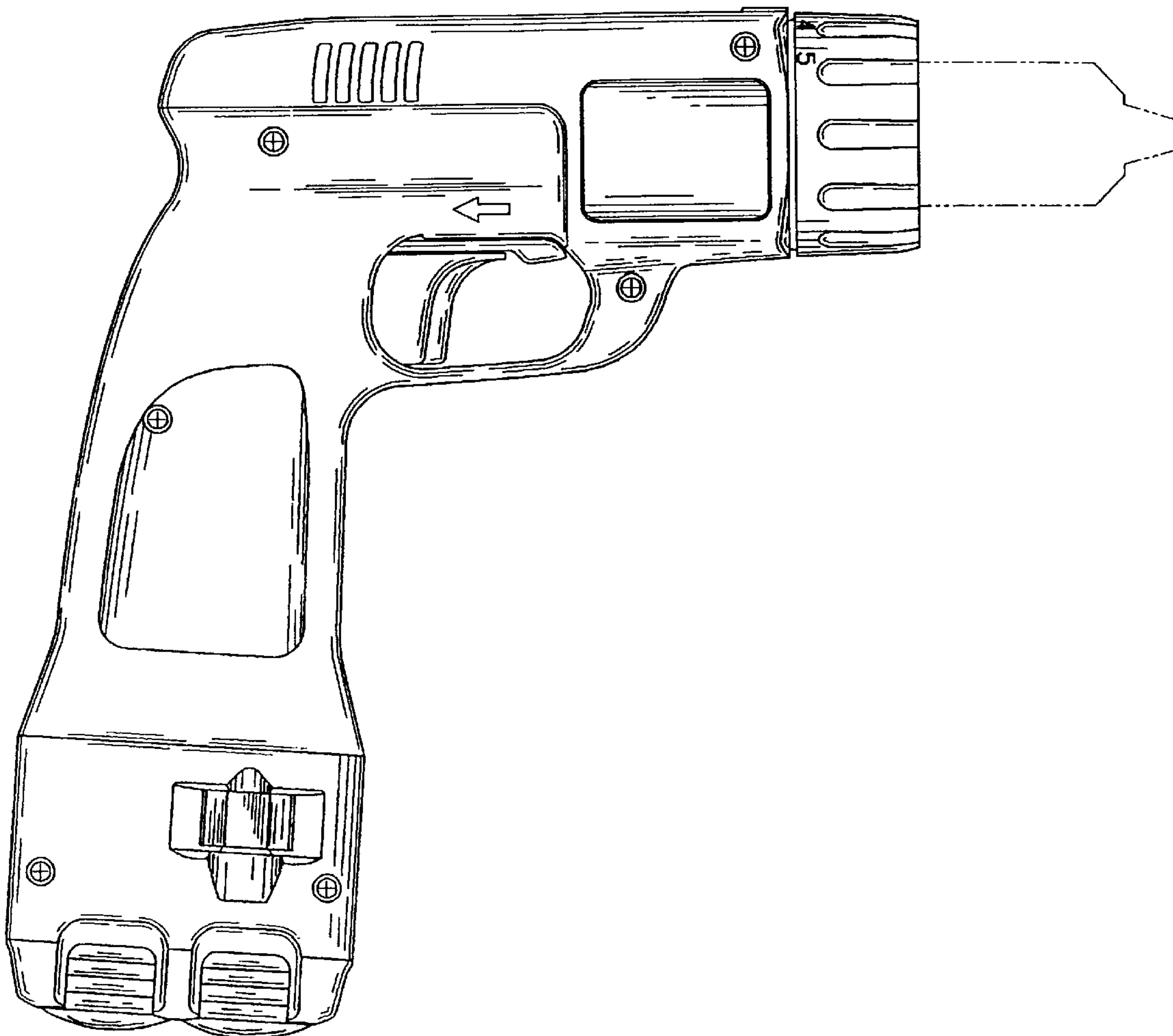


FIG. 7

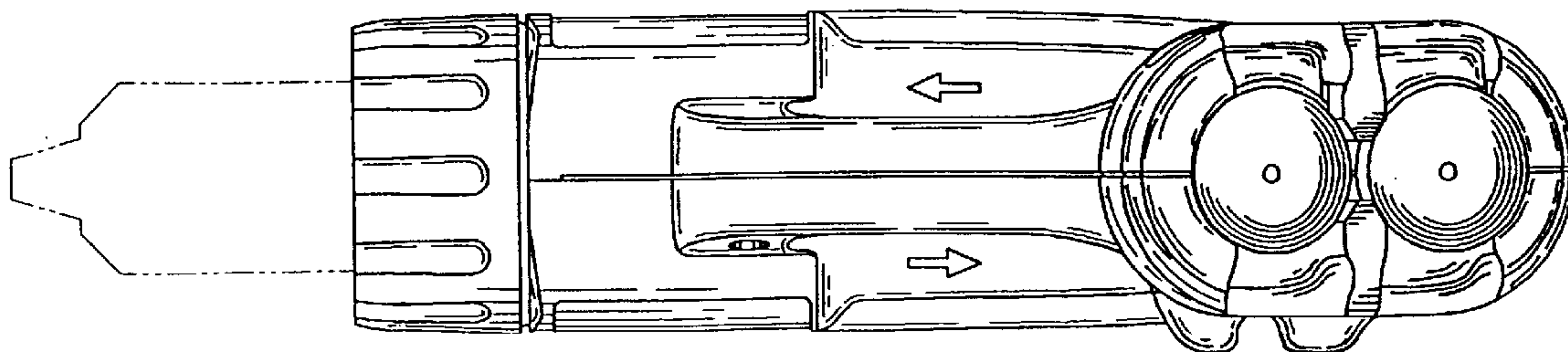


FIG. 3

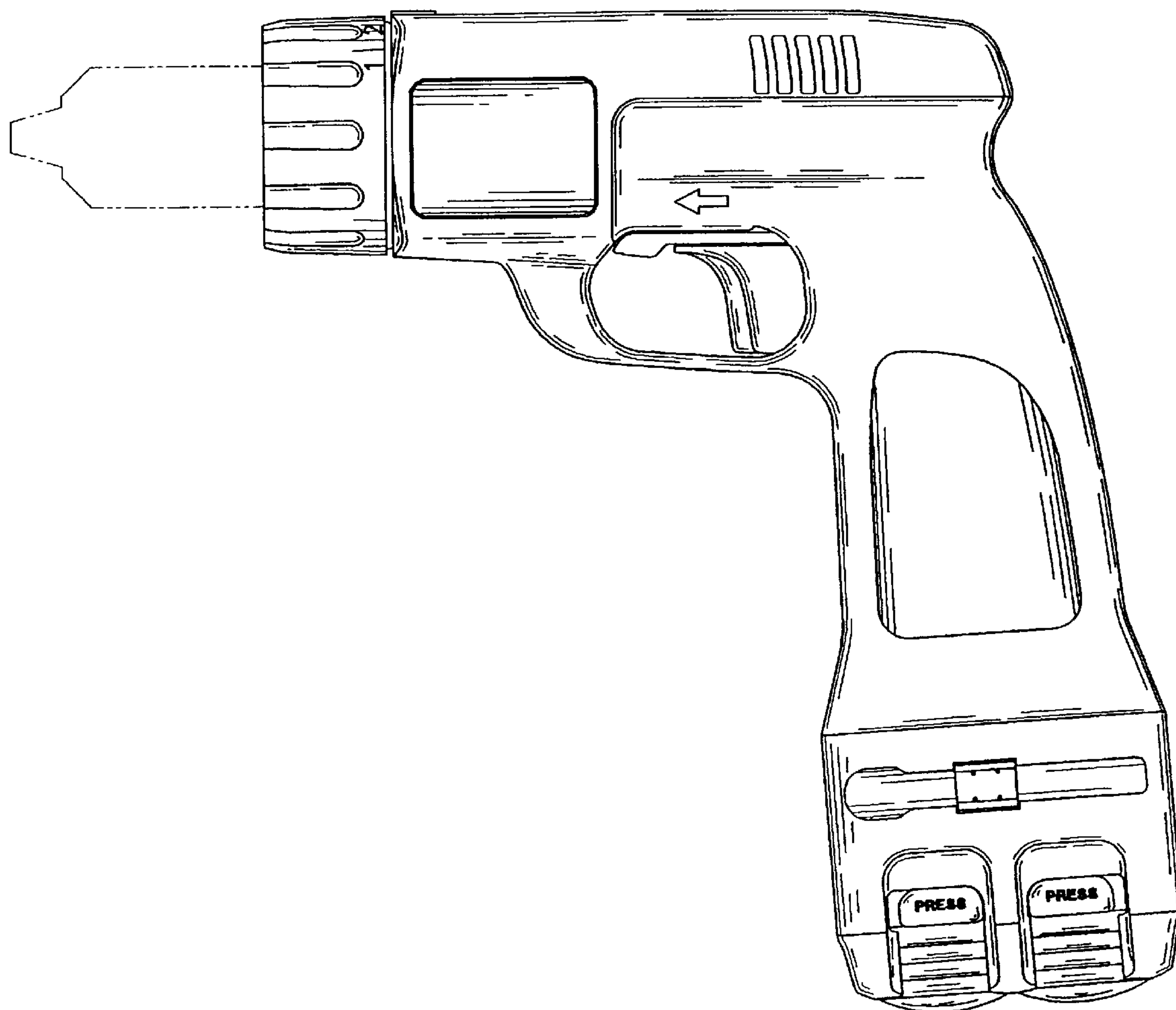
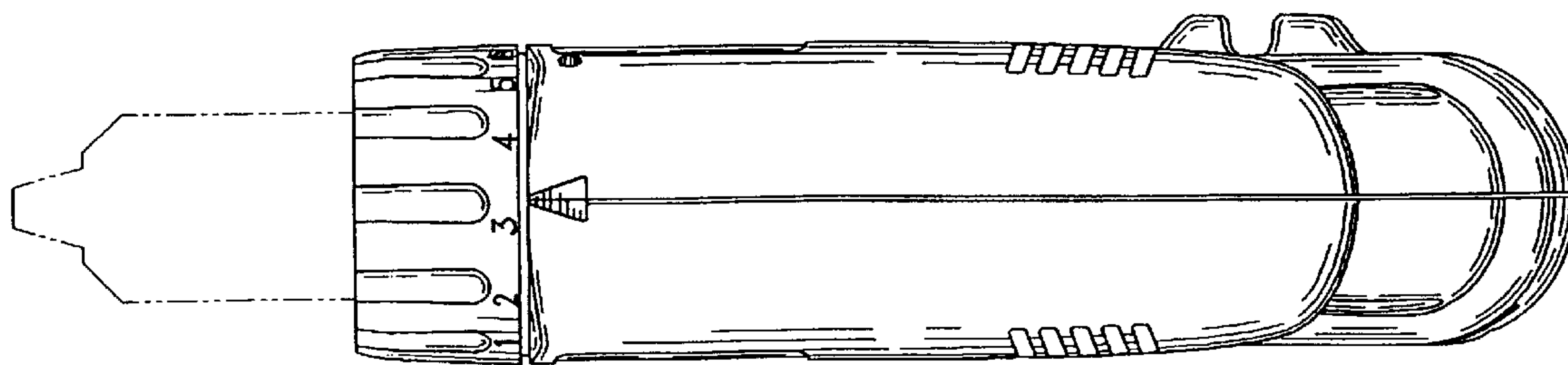
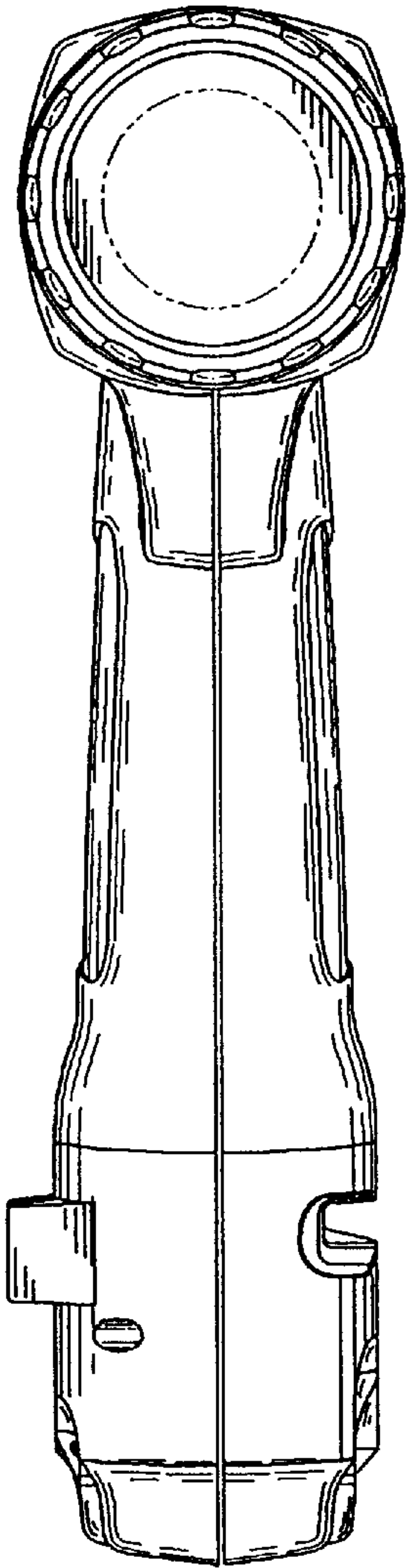


FIG. 6





*FIG. 4*



*FIG. 5*

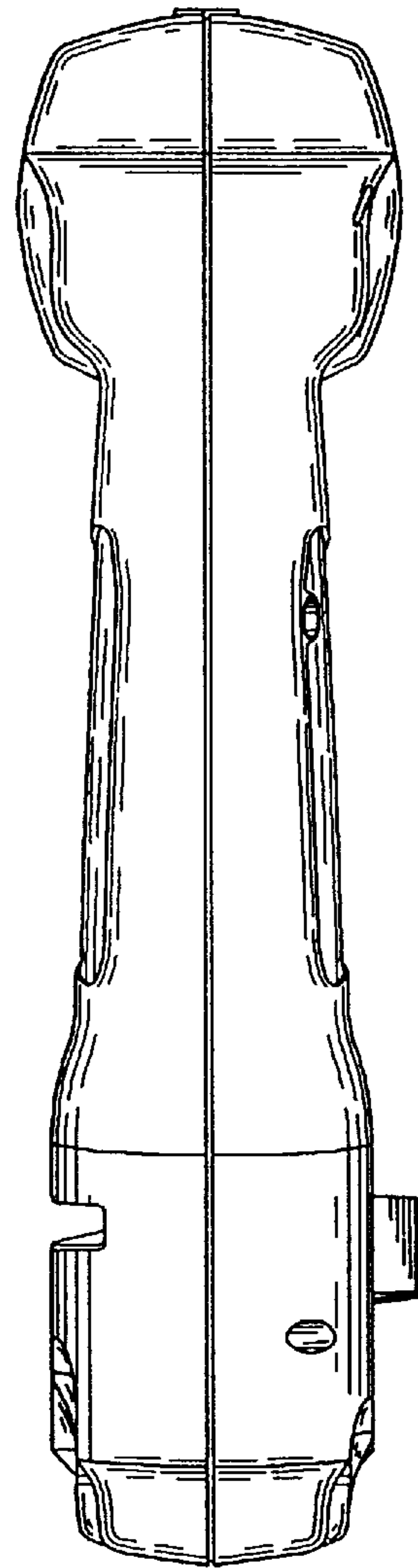


FIG. 8

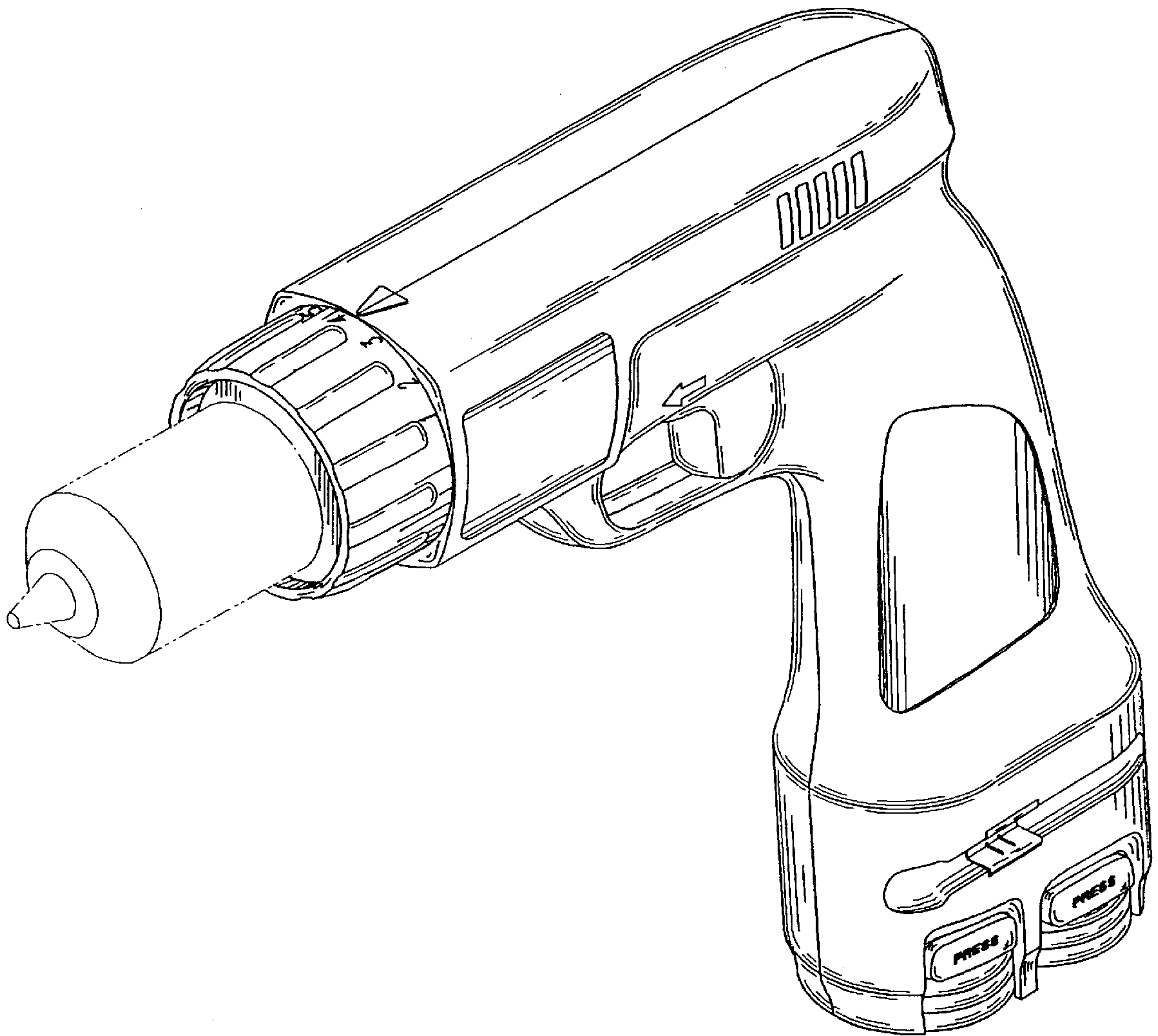


FIG. 9

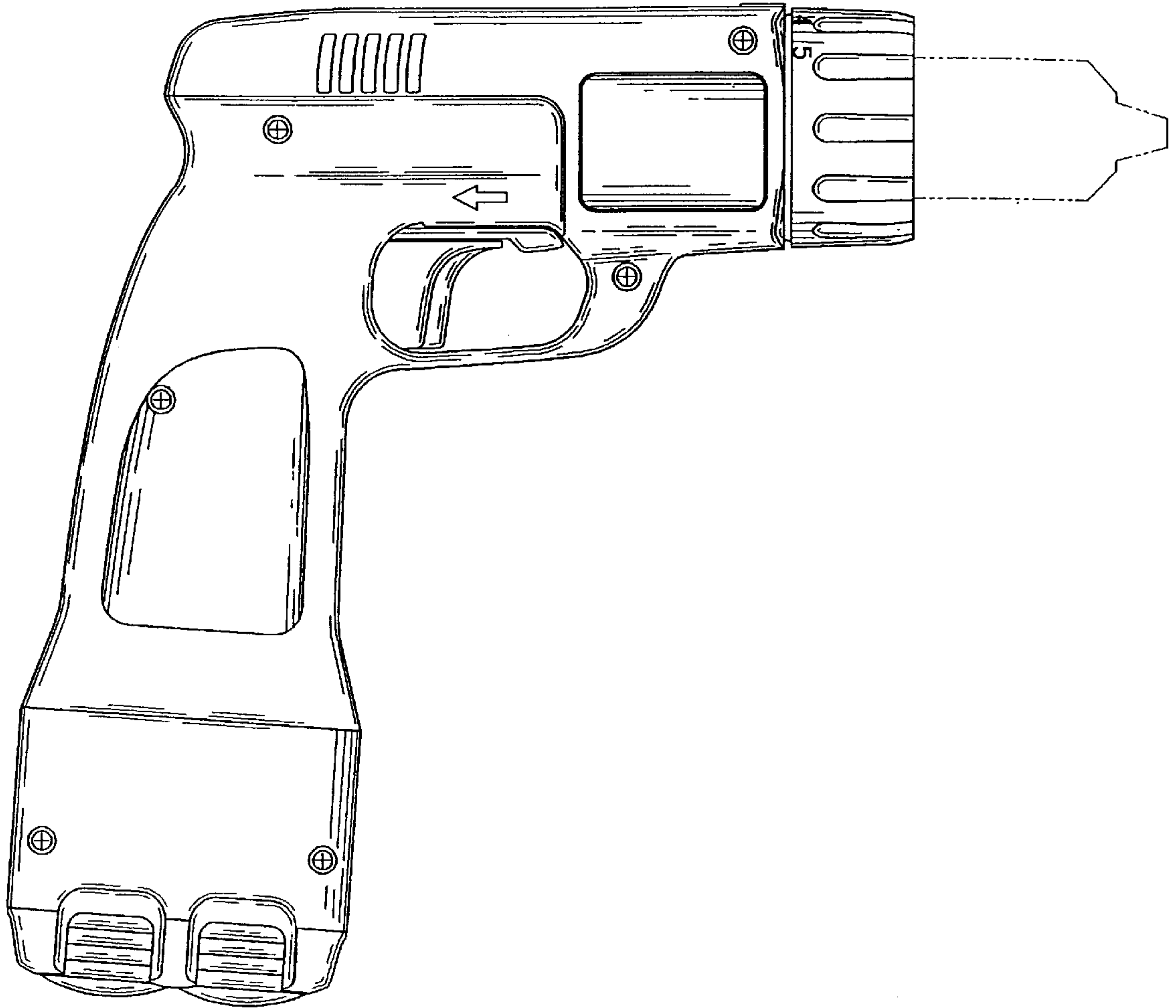
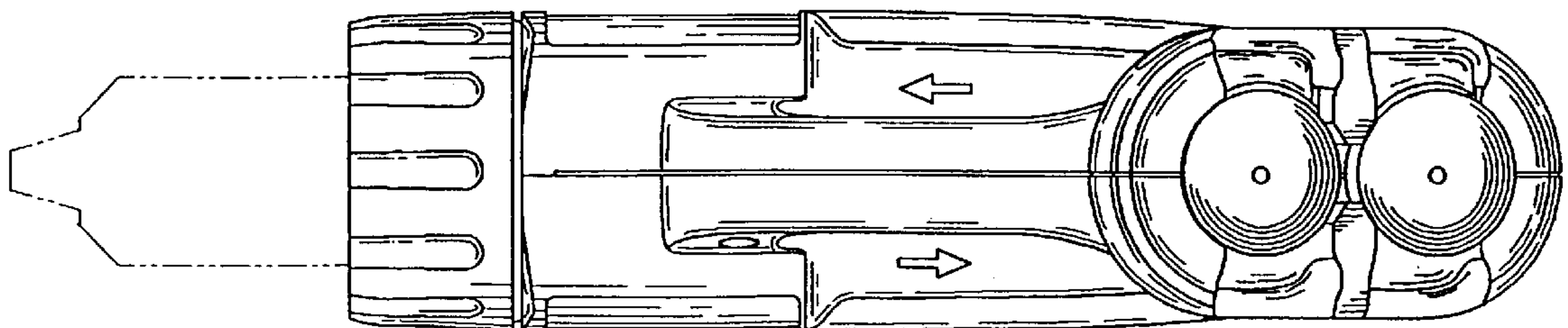
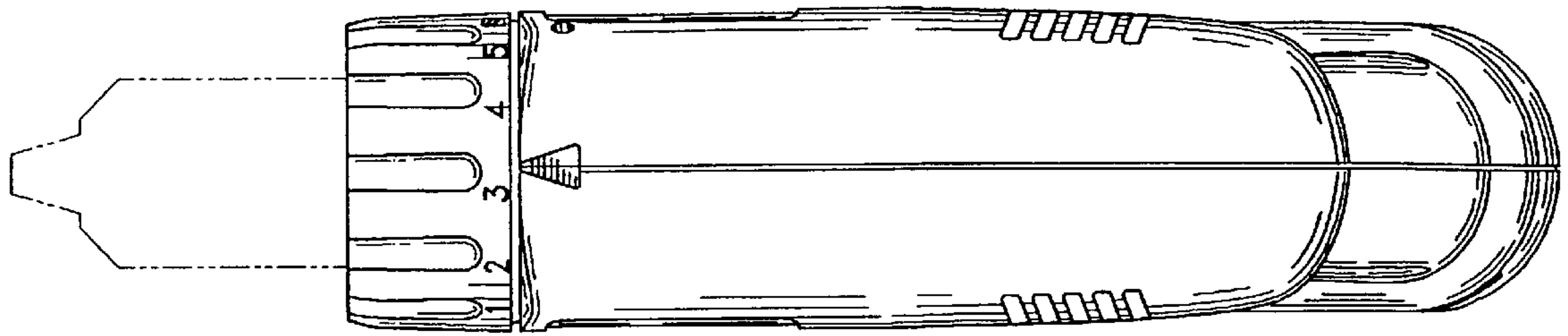


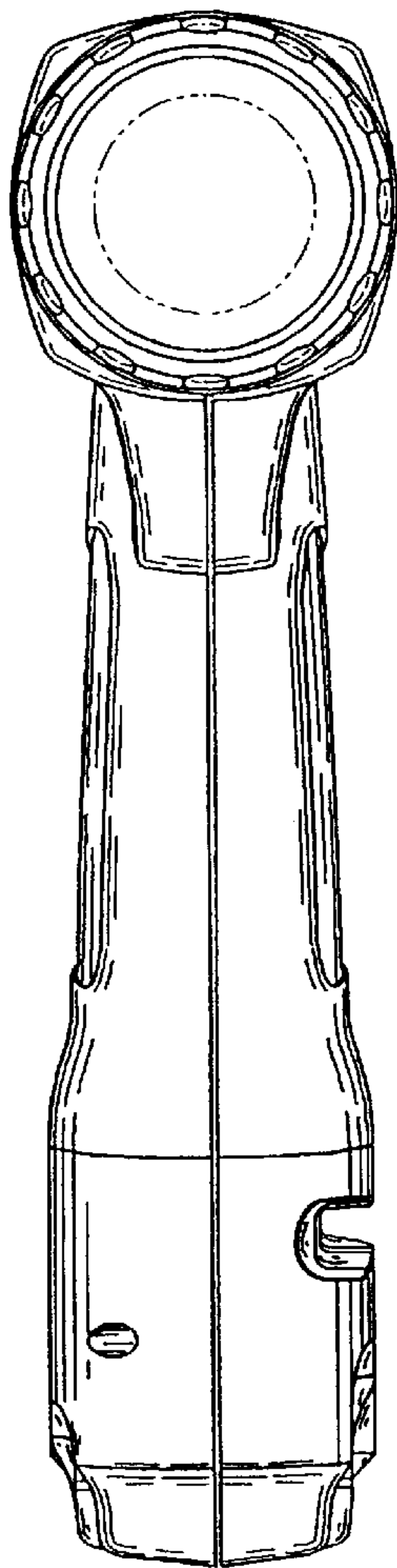
FIG. 10



*FIG. 11*



*FIG. 12*



*FIG. 13*

