



US00D404273S

United States Patent [19] Somers

[11] Patent Number: **Des. 404,273**

[45] Date of Patent: ****Jan. 19, 1999**

[54] DETAIL SANDER

[75] Inventor: **Robert I. Somers**, Reisterstown, Md.

[73] Assignee: **Black & Decker Inc.**, Newark, Del.

[**] Term: **14 Years**

[21] Appl. No.: **65,745**

[22] Filed: **Jan. 13, 1997**

Related U.S. Application Data

[63] Continuation of Ser. No. 42,566, Aug. 11, 1995, abandoned.

[51] LOC (6) Cl. **08-05**

[52] U.S. Cl. **D8/62; D8/68**

[58] Field of Search D8/61, 62, 68;
81/54, 57.11, 57.13, 57.14; 173/169, 170;
408/124, 125; 451/344, 356, 357, 359,
414, 456

[56] References Cited

U.S. PATENT DOCUMENTS

D. 339,275	9/1993	Fukuda et al.	D8/62
D. 343,104	1/1994	Hoshino	D8/62
D. 366,406	1/1996	Kikuchi	D8/62
4,905,420	3/1990	Flachenecker et al.	451/344
5,319,889	6/1994	Rudolf et al.	451/456
5,398,454	3/1995	Berner	451/357

FOREIGN PATENT DOCUMENTS

3805926A1	2/1988	Germany	B24F 5/00
4303044	2/1993	Germany	B24B 23/04
9410754.8	7/1994	Germany	B24B 23/04

OTHER PUBLICATIONS

Article showing pictures; *The Woodworker's Journal*; "Detail Sanders"; 5 pages, published Jul./Aug. 1994.

Exhibit 1: Fein Triangle Sander Plus, "New Power Tool Eliminates Hand Sanding, Scraping, Sawing & Polishing"; 1 page, no date.

Exhibit 2: Fein Triangle Sander, "Sand right into corners, and along edges"; 1 page; no date.

Article: *Wooden Boat*; "The Fein Corner Sander"; 4 pages; published Sep./Oct. 1992.

Bosch B7000 Detail Sander, *Home Mechanix Magazine*, Apr. 1995, p. 36.

Primary Examiner—Robert M. Spear
Attorney, Agent, or Firm—Bruce S. Shapiro; Dennis A. Dearing; John D. Del Ponti

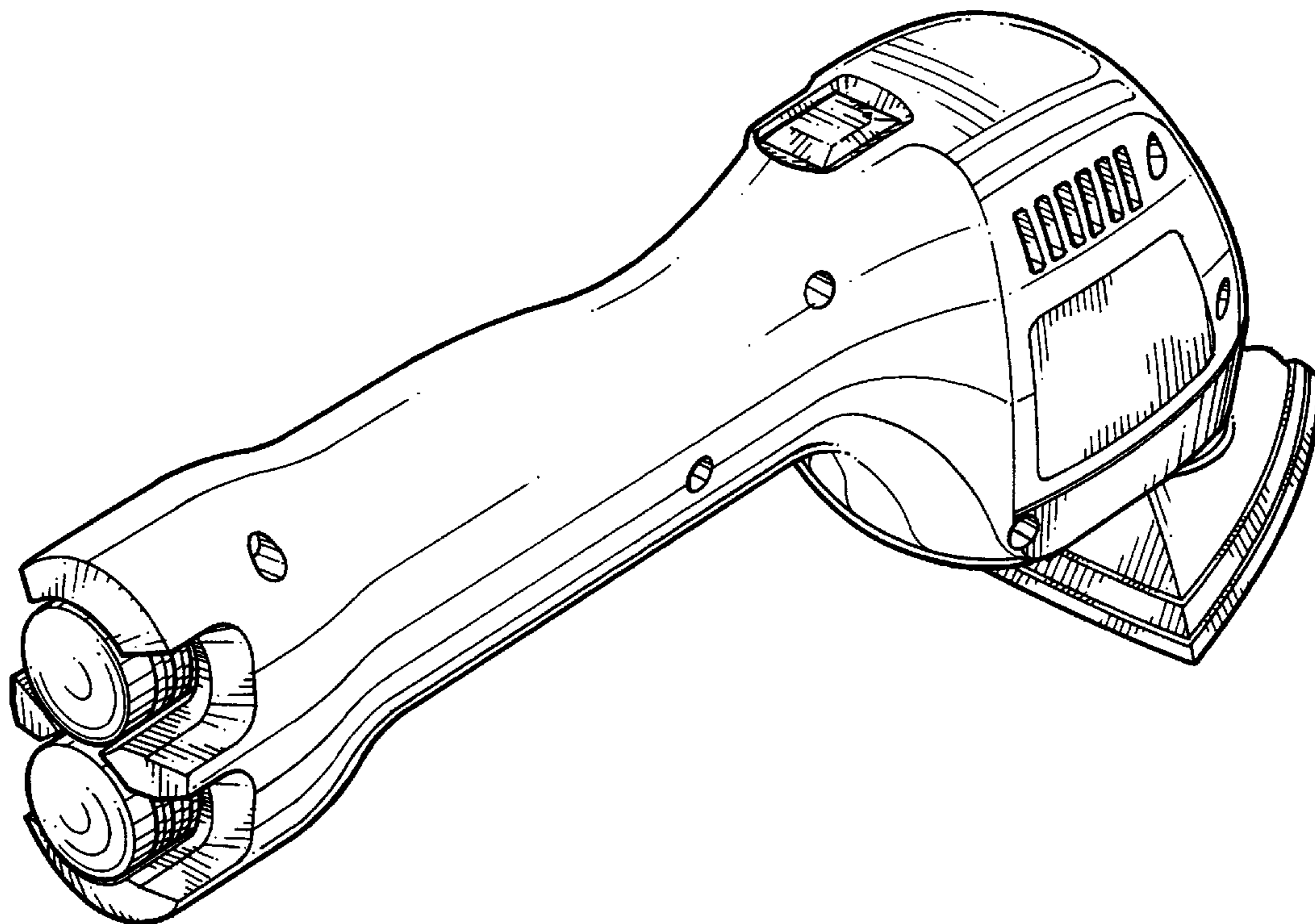
[57] CLAIM

The ornamental design for a detail sander, as shown and described.

DESCRIPTION

FIG. 1 is a rear perspective view taken from the top and right side of a detail sander showing our new design; FIG. 2 is a front perspective view taken from the bottom and left side thereof; FIG. 3 is a left side elevational view thereof; FIG. 4 is a right side elevational view thereof; FIG. 5 is a front elevational view thereof; FIG. 6 is a rear elevational view thereof; FIG. 7 is a top plan view thereof; and, FIG. 8 is a bottom plan view thereof.

1 Claim, 6 Drawing Sheets



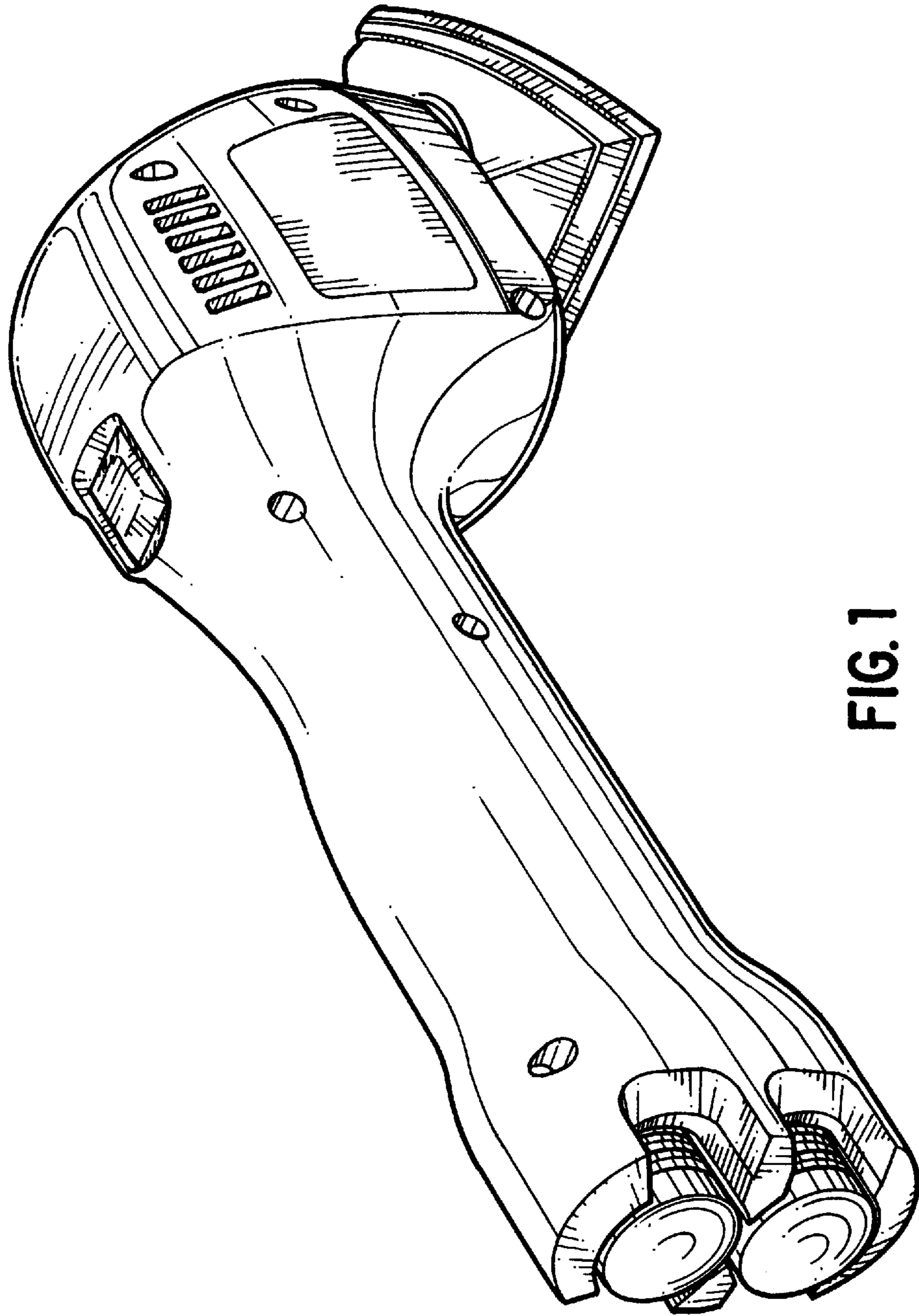


FIG. 1

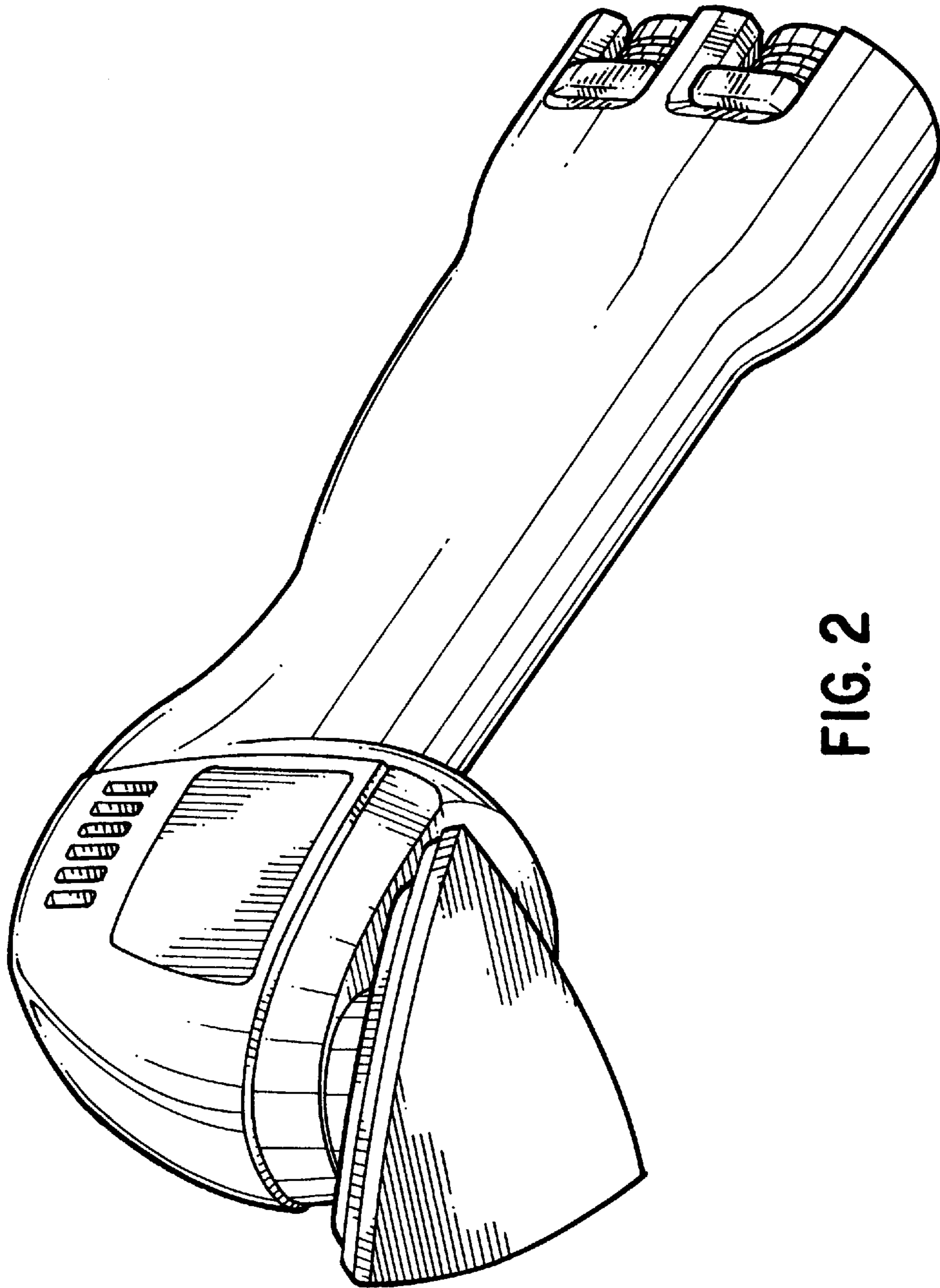


FIG. 2

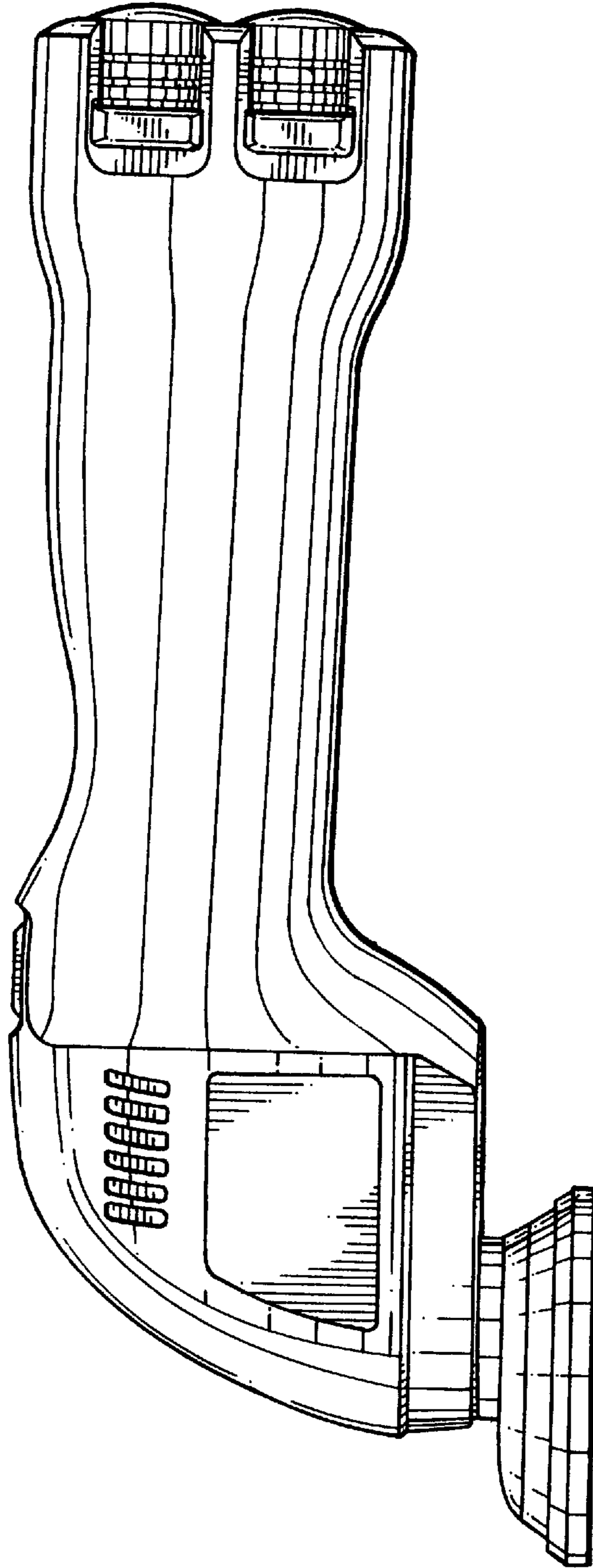


FIG. 3

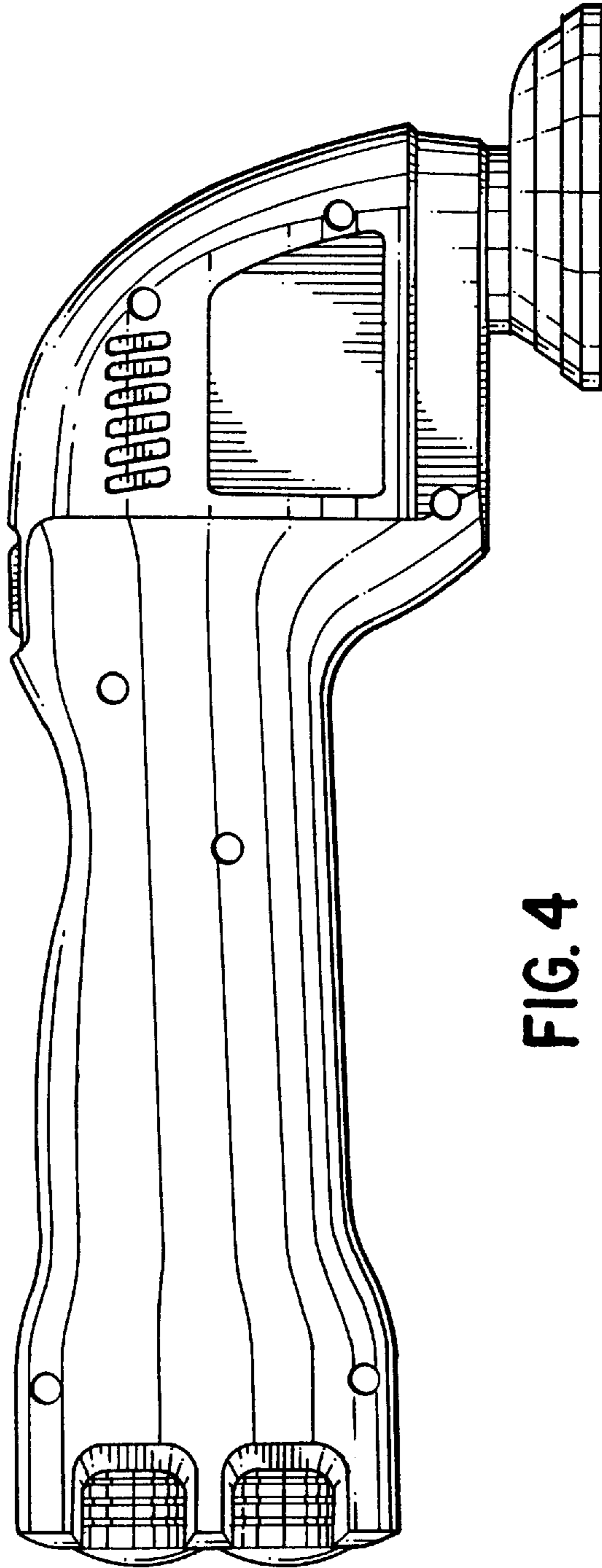


FIG. 4

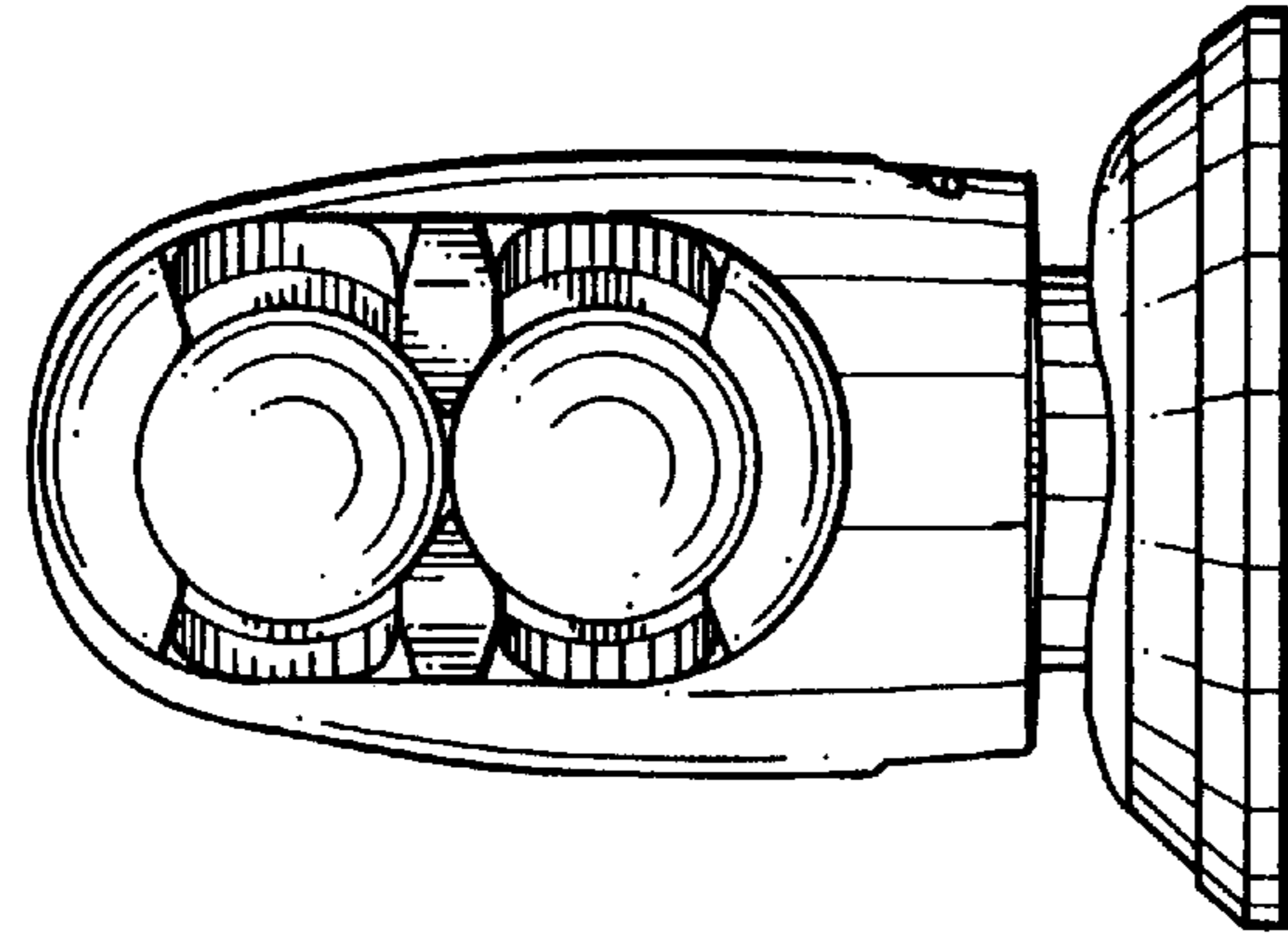


FIG. 6

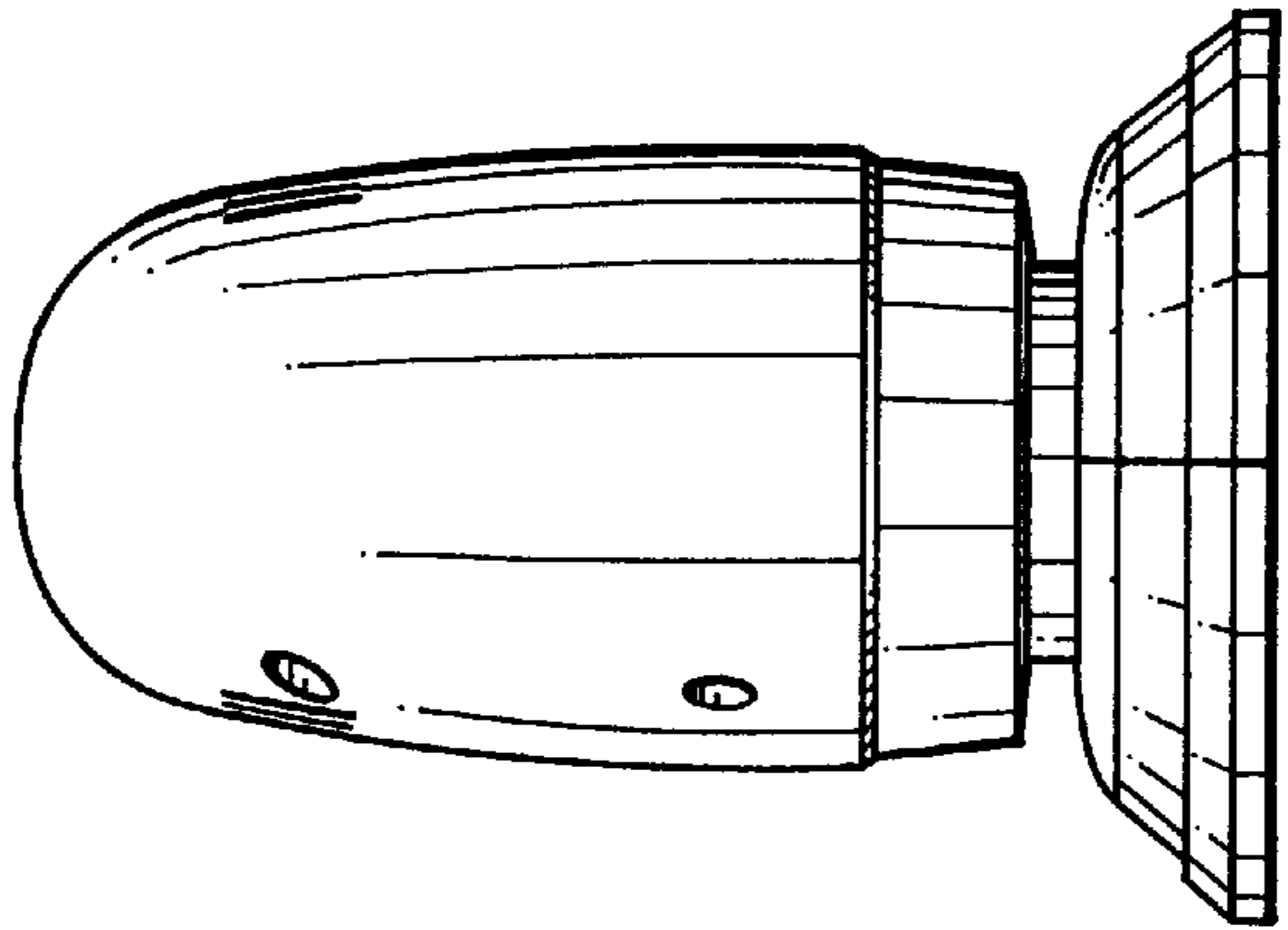


FIG. 5

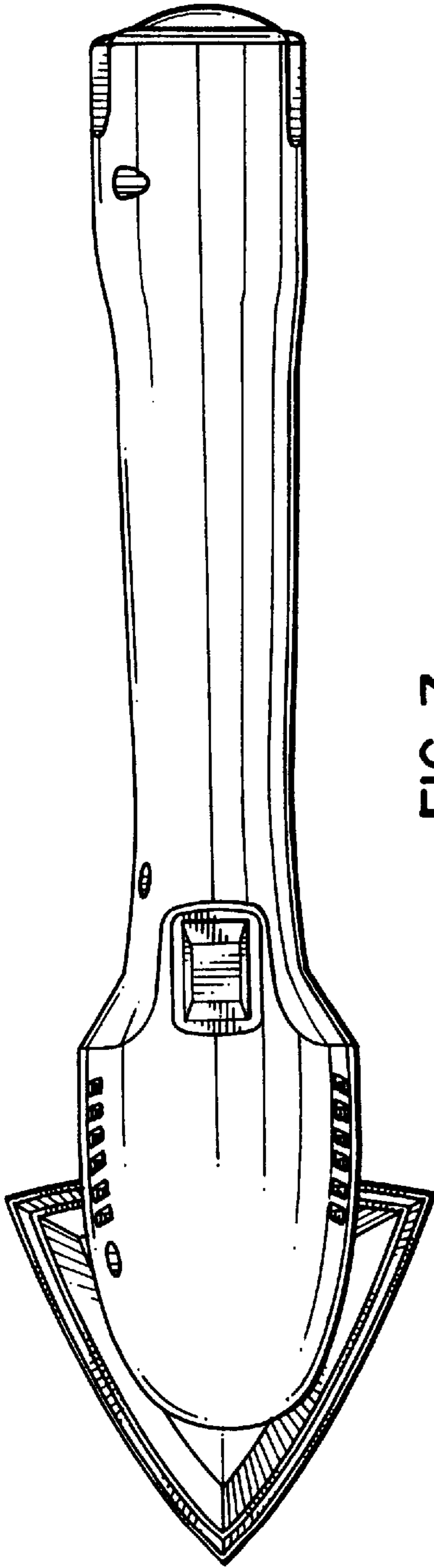


FIG. 7

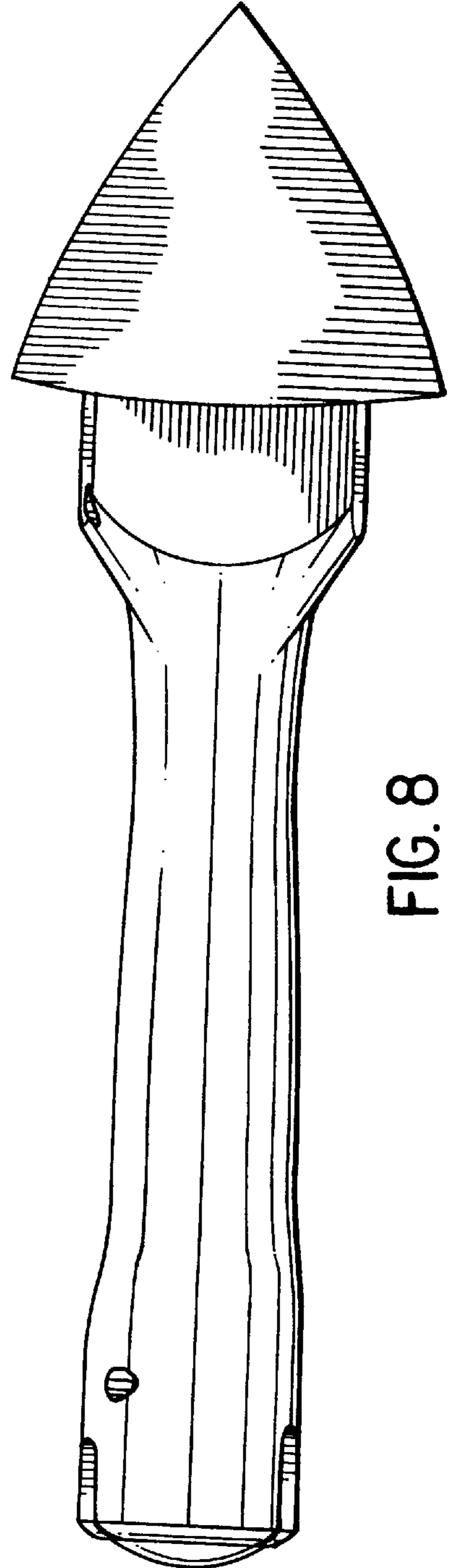


FIG. 8