

US00D404269S

United States Patent [19]
Chang

[11] **Patent Number: Des. 404,269**

[45] **Date of Patent: **Jan. 19, 1999**

[54] **CAN OPENER**

Primary Examiner—Caron D. Veynar

[76] Inventor: **Kun-Jen Chang**, P.O. Box 1032,
Tainan Hsien, Taiwan

[57] **CLAIM**

The ornamental design for a can opener, as shown.

[**] Term: **14 Years**

DESCRIPTION

[21] Appl. No.: **78,983**

FIG. 1 is a perspective view of a can opener showing my new design;

[22] Filed: **Nov. 4, 1997**

FIG. 2 is a front elevational view thereof;

[51] **LOC (6) Cl.** **07-99**

FIG. 3 is a rear elevational view thereof;

[52] **U.S. Cl.** **D8/39**

FIG. 4 is a left elevational view thereof;

[58] **Field of Search** D8/18, 19, 33-43;
30/400-420; 81/3.07; 7/151-156

FIG. 5 is a right elevational view thereof;

FIG. 6 is a top plan view thereof; and,

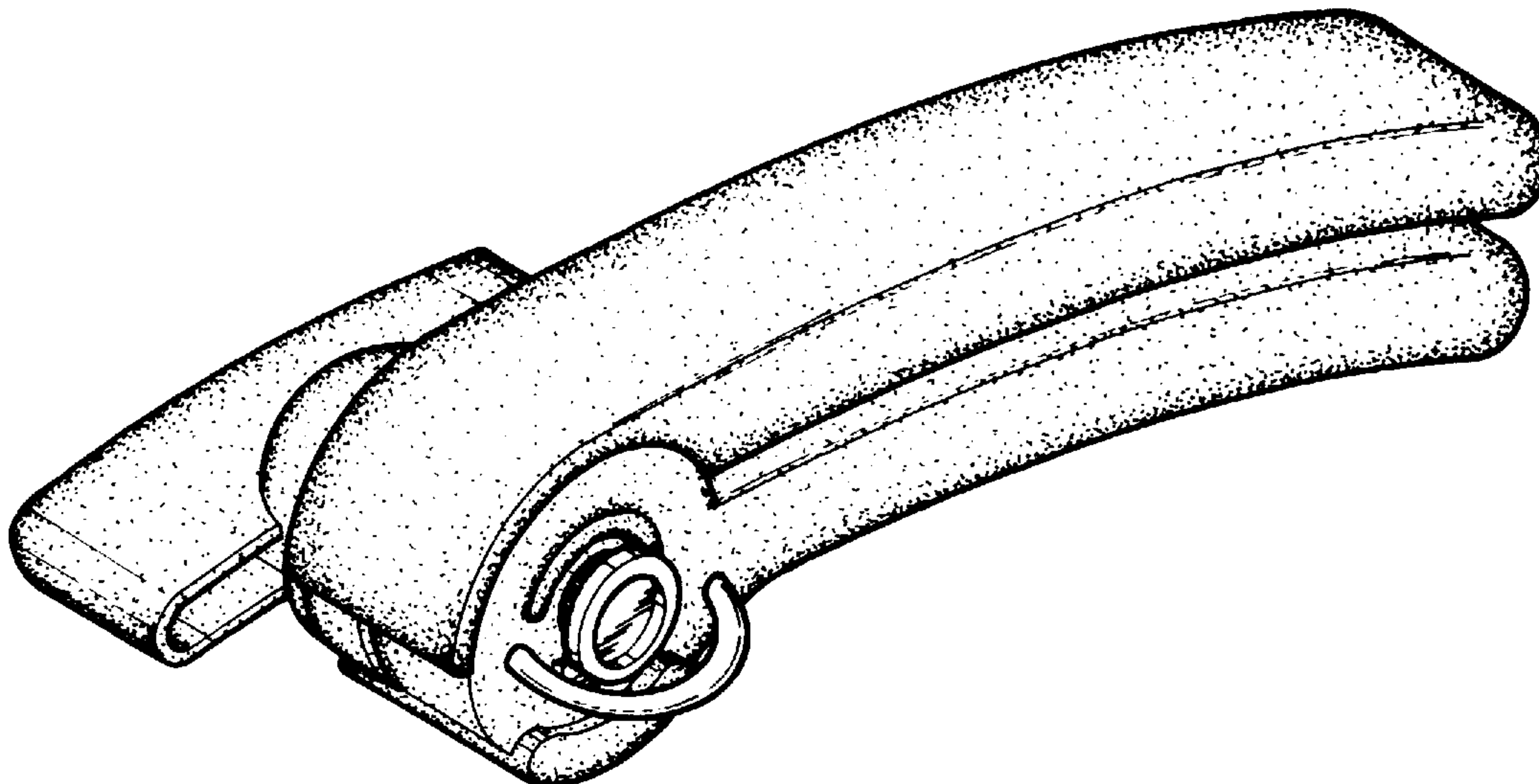
FIG. 7 is a bottom plan view.

[56] **References Cited**

U.S. PATENT DOCUMENTS

D. 326,039 5/1992 Viemeister D8/33

1 Claim, 4 Drawing Sheets



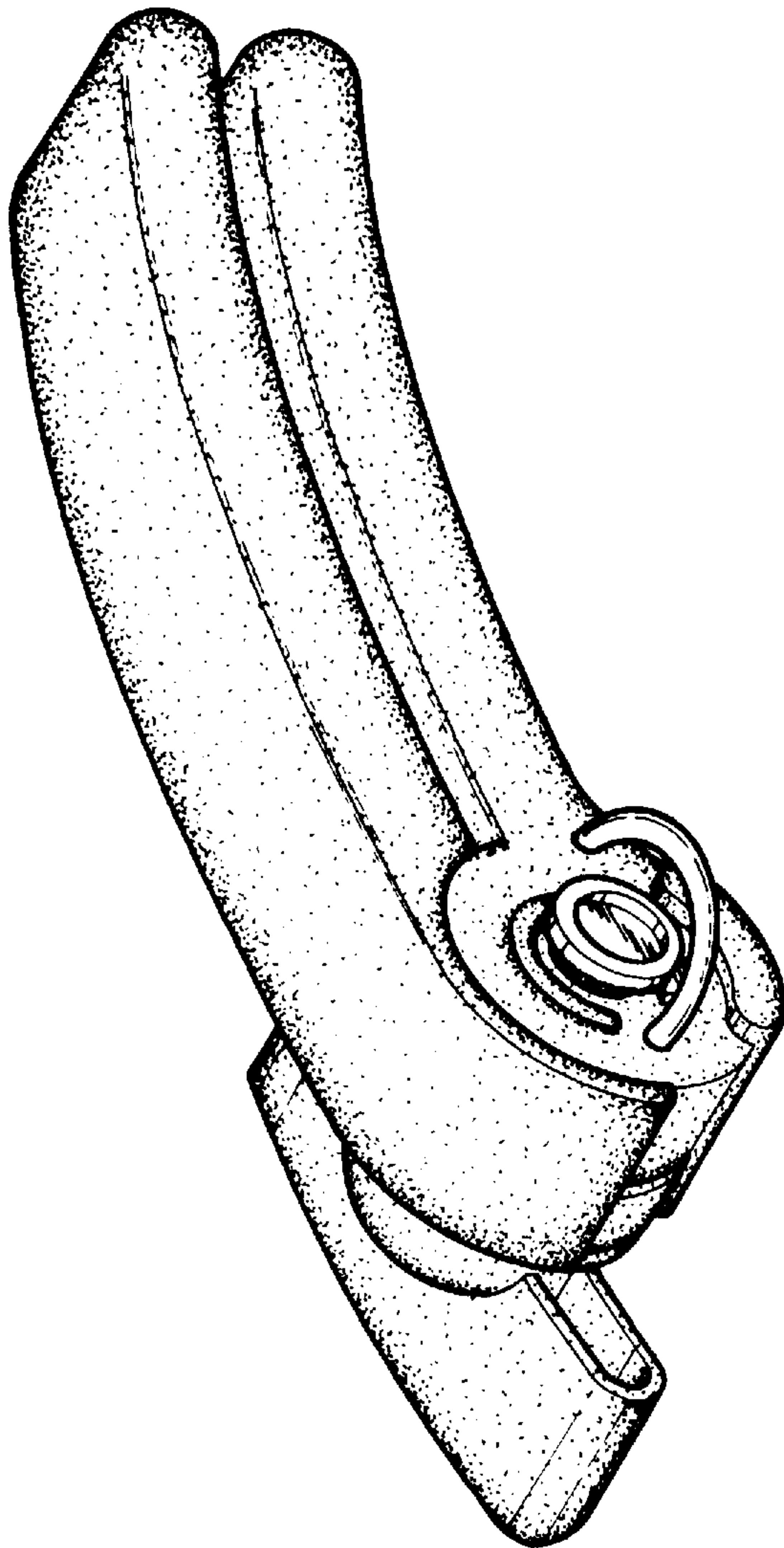


FIG.1

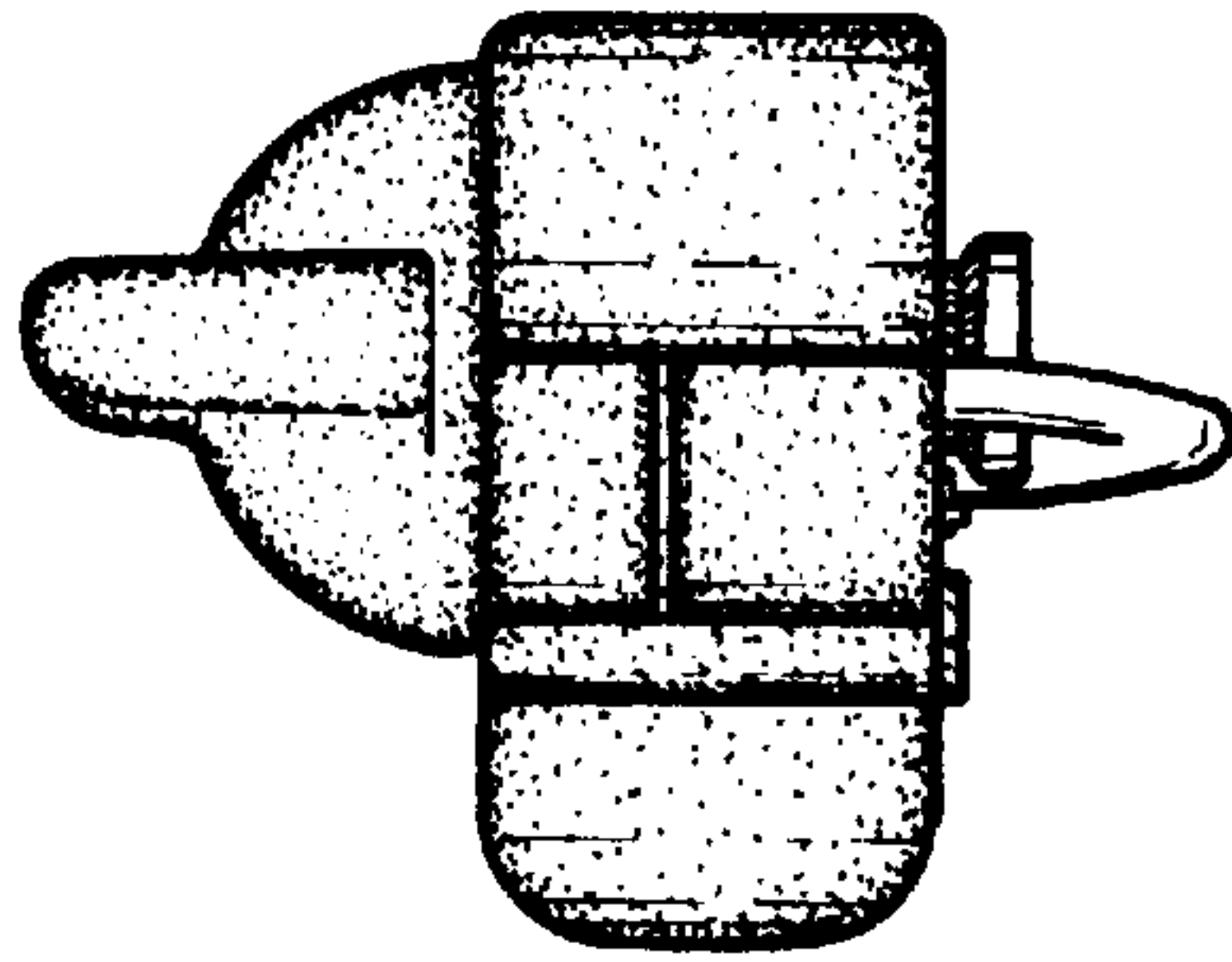


FIG. 2

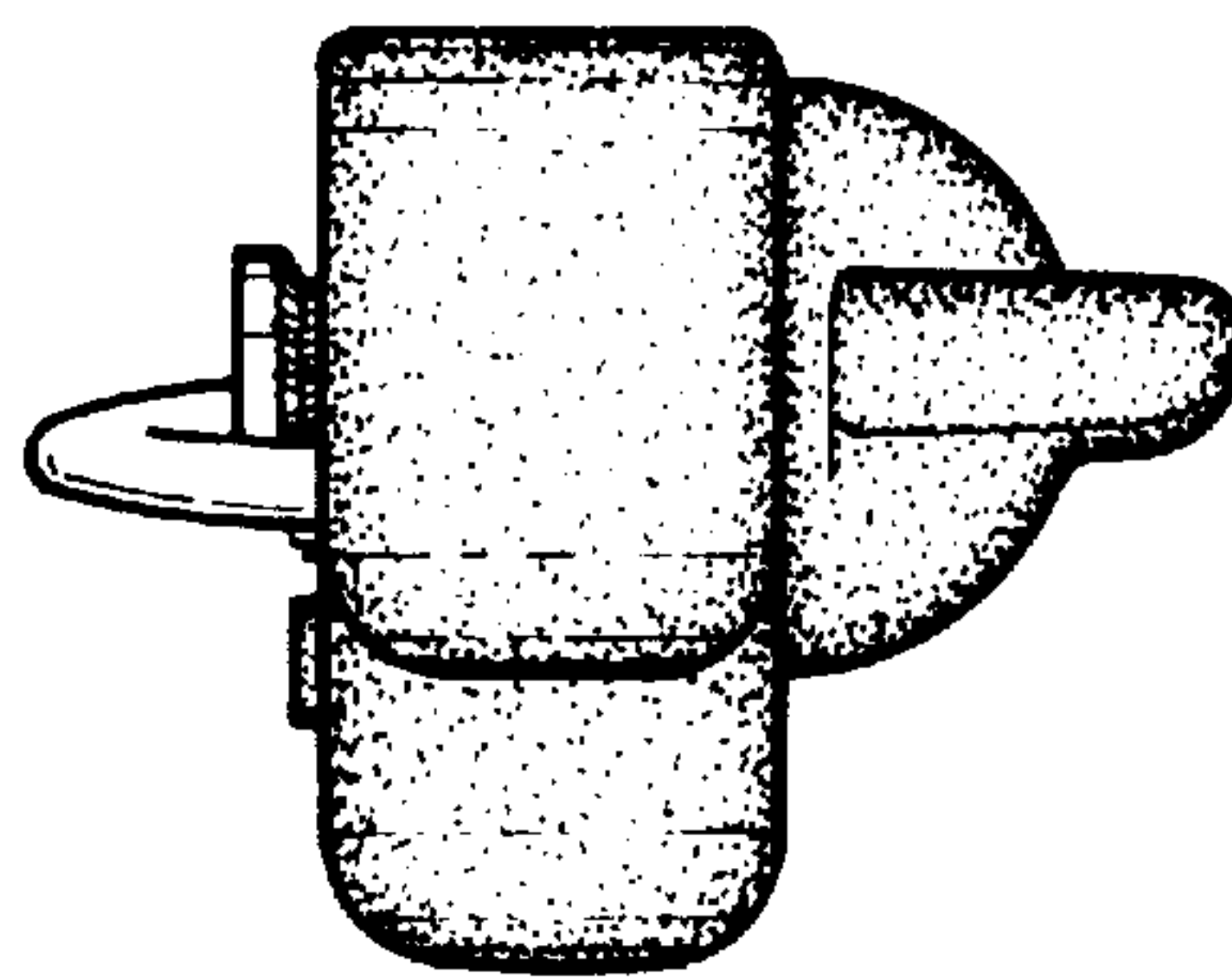


FIG. 3

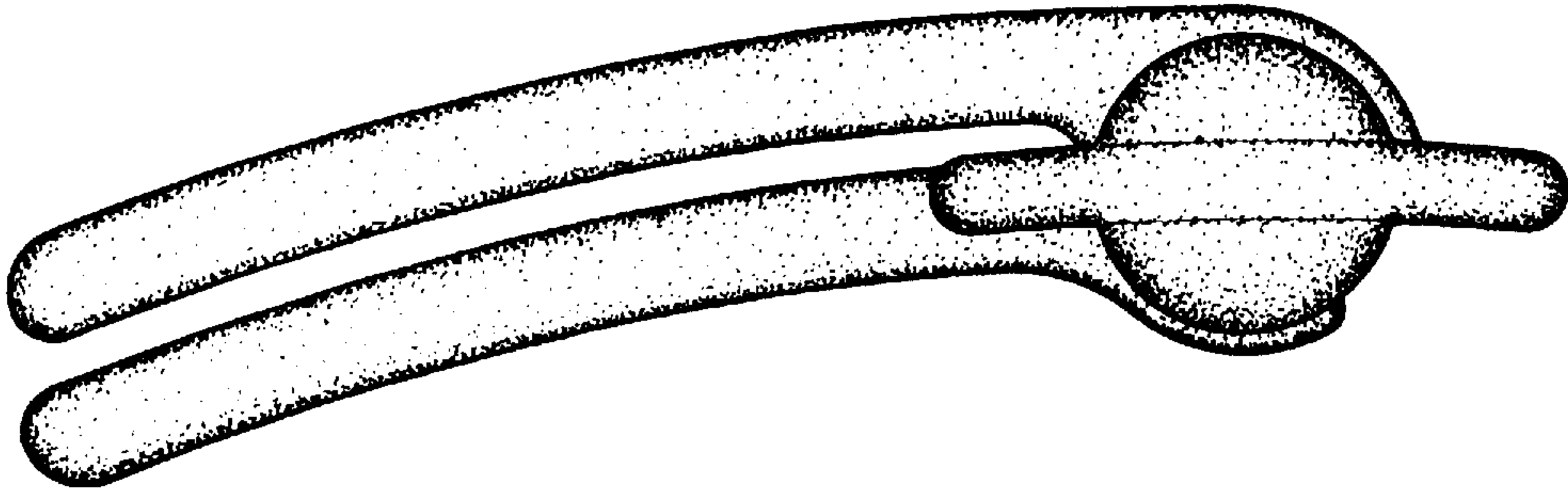


FIG. 4



FIG. 5

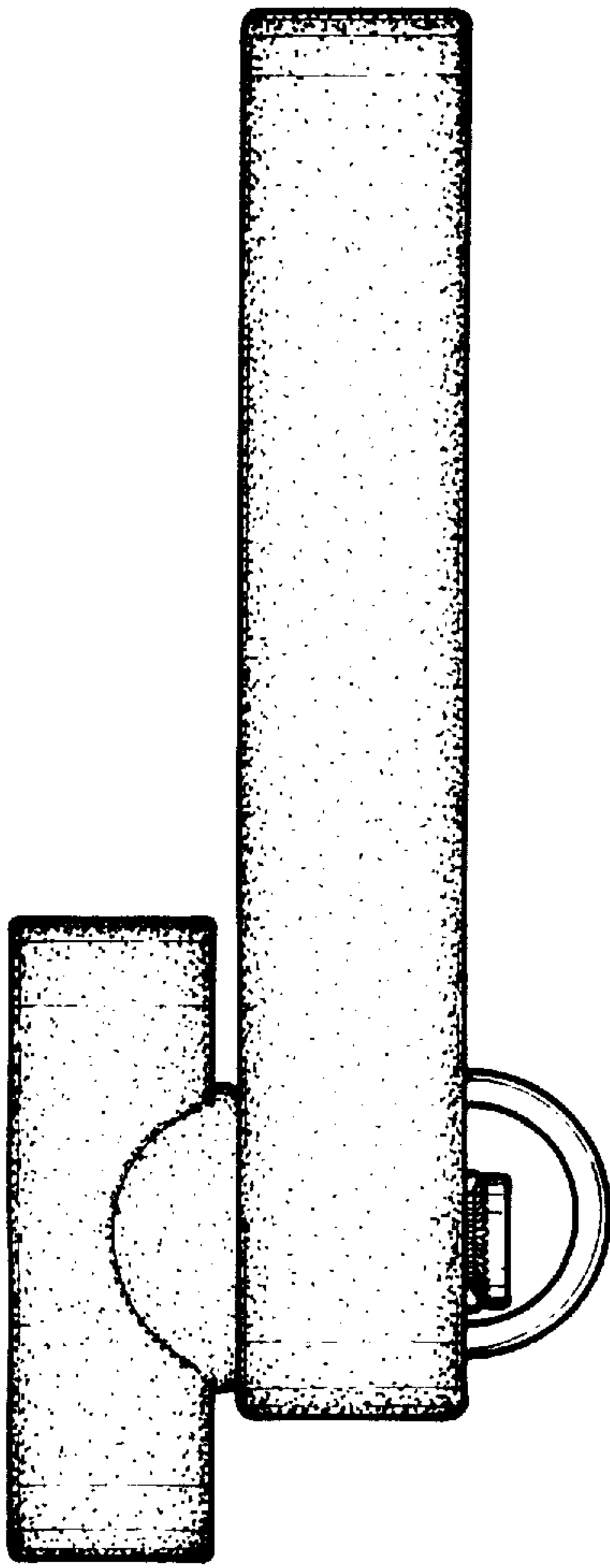


FIG. 6

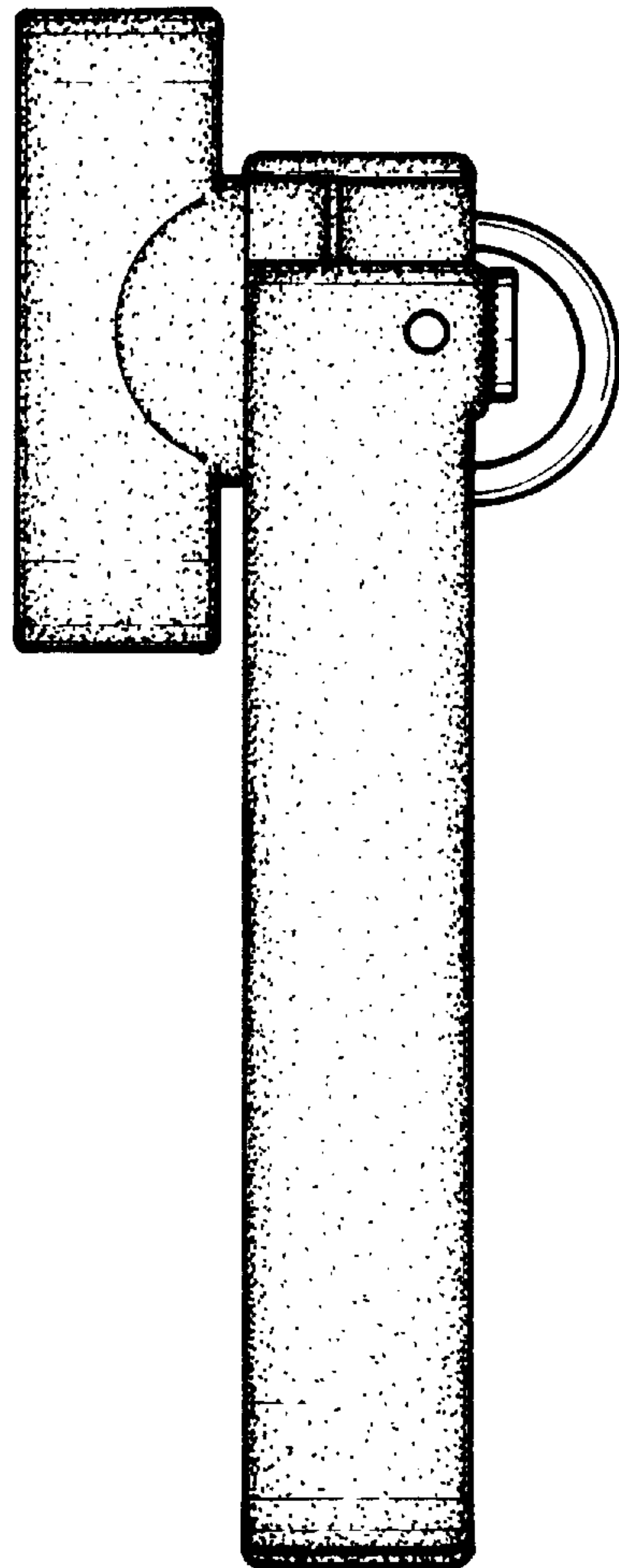


FIG. 7