

US00D404262S

**United States Patent** [19]  
**McGill**

[11] **Patent Number: Des. 404,262**

[45] **Date of Patent: \*\*Jan. 19, 1999**

[54] **FOOD CONTAINER**

[75] Inventor: **Gary Shane McGill**, Rochester, England

[73] Assignee: **McGill Technology Limited**, England

[\*\*] Term: **14 Years**

[21] Appl. No.: **61,021**

[22] Filed: **Oct. 15, 1996**

**Related U.S. Application Data**

[63] Continuation-in-part of Ser. No. 36,693, Mar. 6, 1995, Pat. No. Des. 383,041.

[51] **LOC (6) Cl.** ..... **07-01**

[52] **U.S. Cl.** ..... **D7/629**

[58] **Field of Search** ..... D7/600, 601, 629,  
D7/538-549, 558; 220/305, 306, 374, 375;  
62/457.1, 457.2

[56] **References Cited**

**U.S. PATENT DOCUMENTS**

D. 272,404 1/1984 Angelakos .  
3,413,820 12/1968 Paquin .

**OTHER PUBLICATIONS**

Restaurant Equipment Dealer, 4/60, p. 5, #462 Supreme Bowl, bottom, right corner.

*Primary Examiner*—Terry A. Wallace

*Attorney, Agent, or Firm*—Gifford, Krass, Groh, Sprinkle, Patmore, Anderson & Citkowski, P.C.

[57] **CLAIM**

The ornamental design for a food container, as shown and described.

**DESCRIPTION**

FIG. 1 is an exploded top, front perspective view, of a food container showing my new design;

FIG. 2 is a top, front perspective view thereof;

FIG. 3 is a bottom, rear perspective view thereof;

FIG. 4 is a bottom plan view thereof;

FIG. 5 is a top plan view thereof;

FIG. 6 is a plan view of a removable seal shown in place in FIGS. 3 and 4;

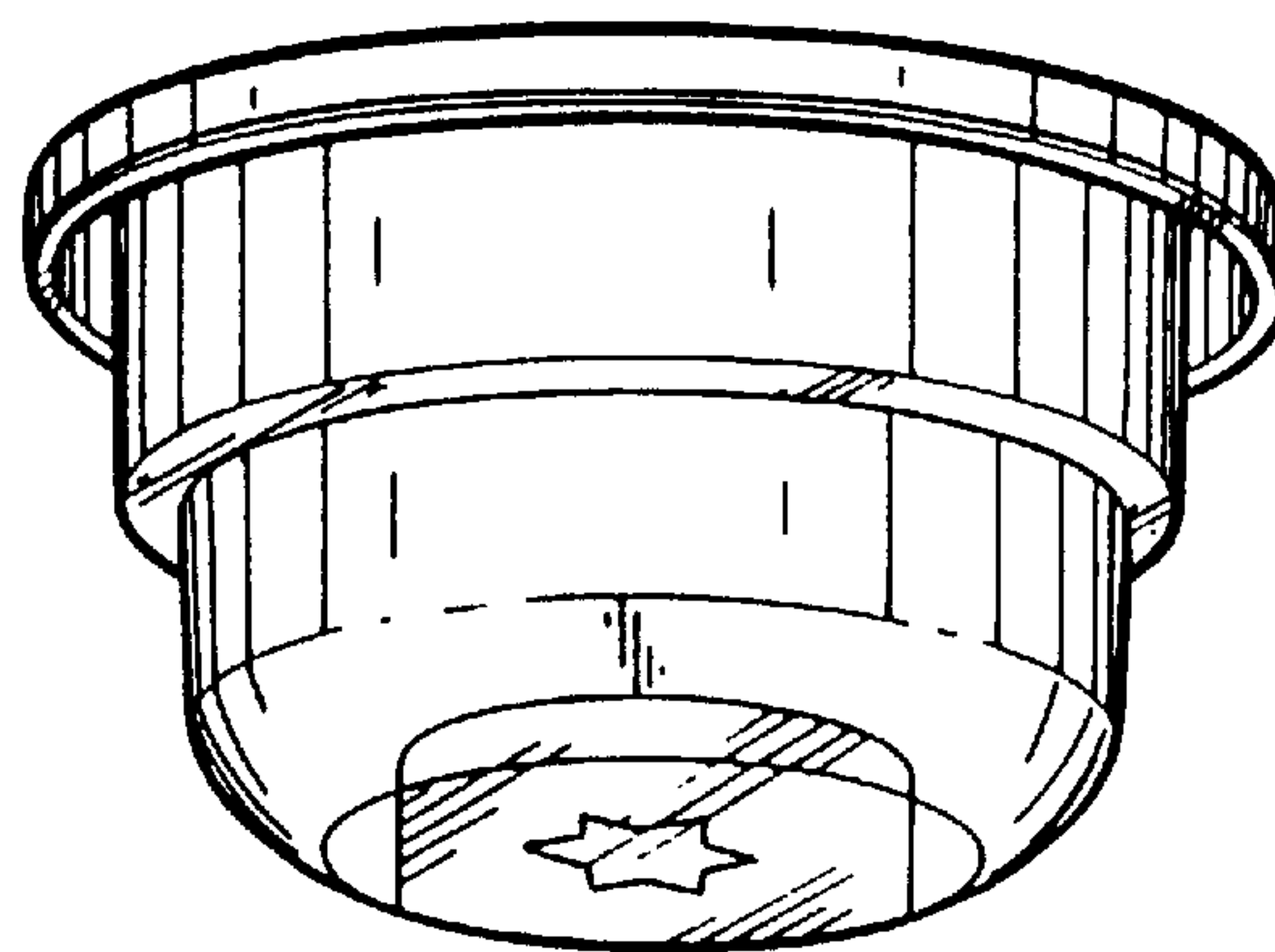
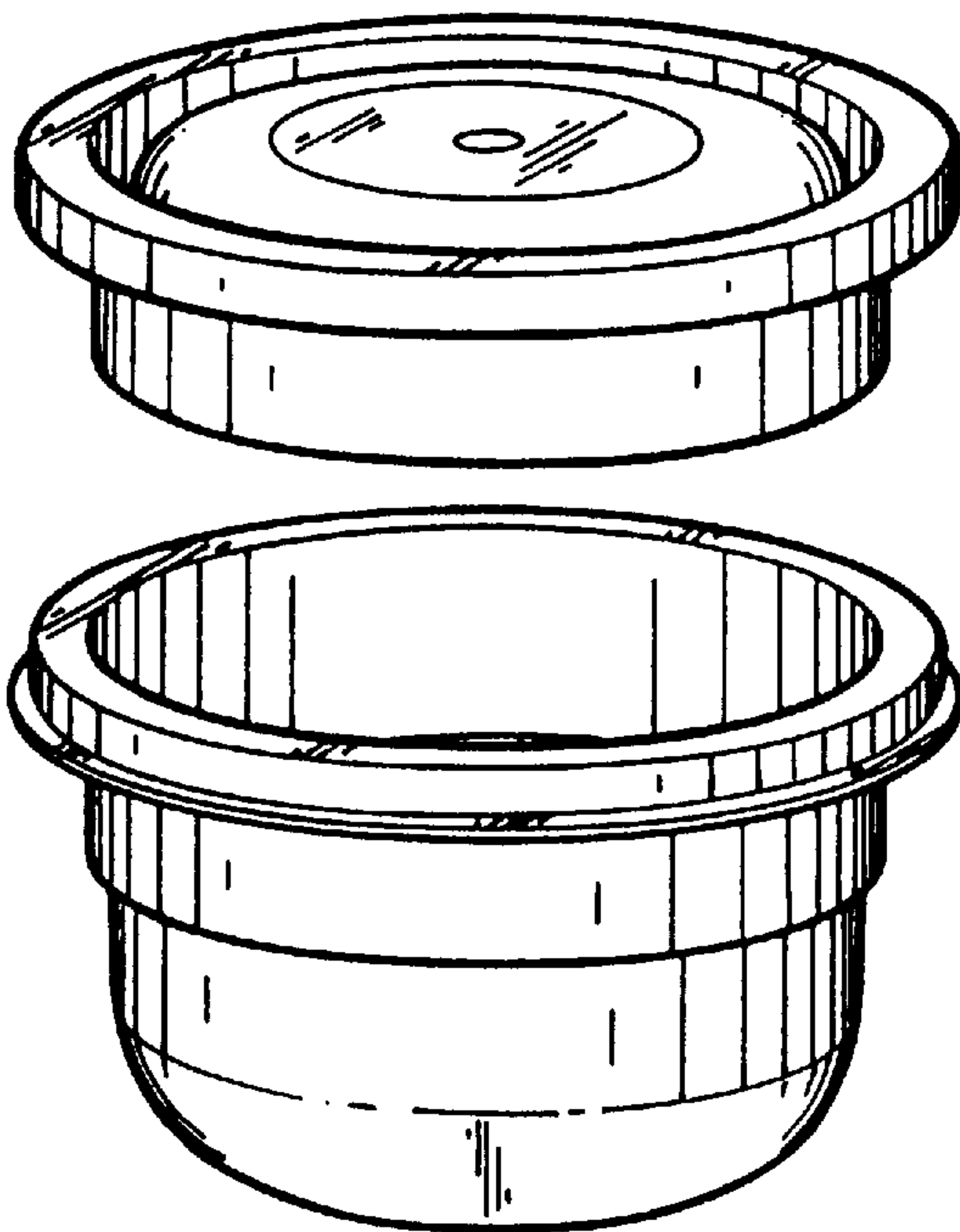
FIG. 7 is a bottom plan view of an alternate embodiment of FIG. 1;

FIG. 8 is a bottom plan view of an alternate embodiment of FIG. 1; and,

FIG. 9 is a bottom plan view of an alternate embodiment of FIG. 1.

The remaining undisclosed portions of FIGS. 7-9 are the same as shown in FIGS. 1-6.

**1 Claim, 2 Drawing Sheets**



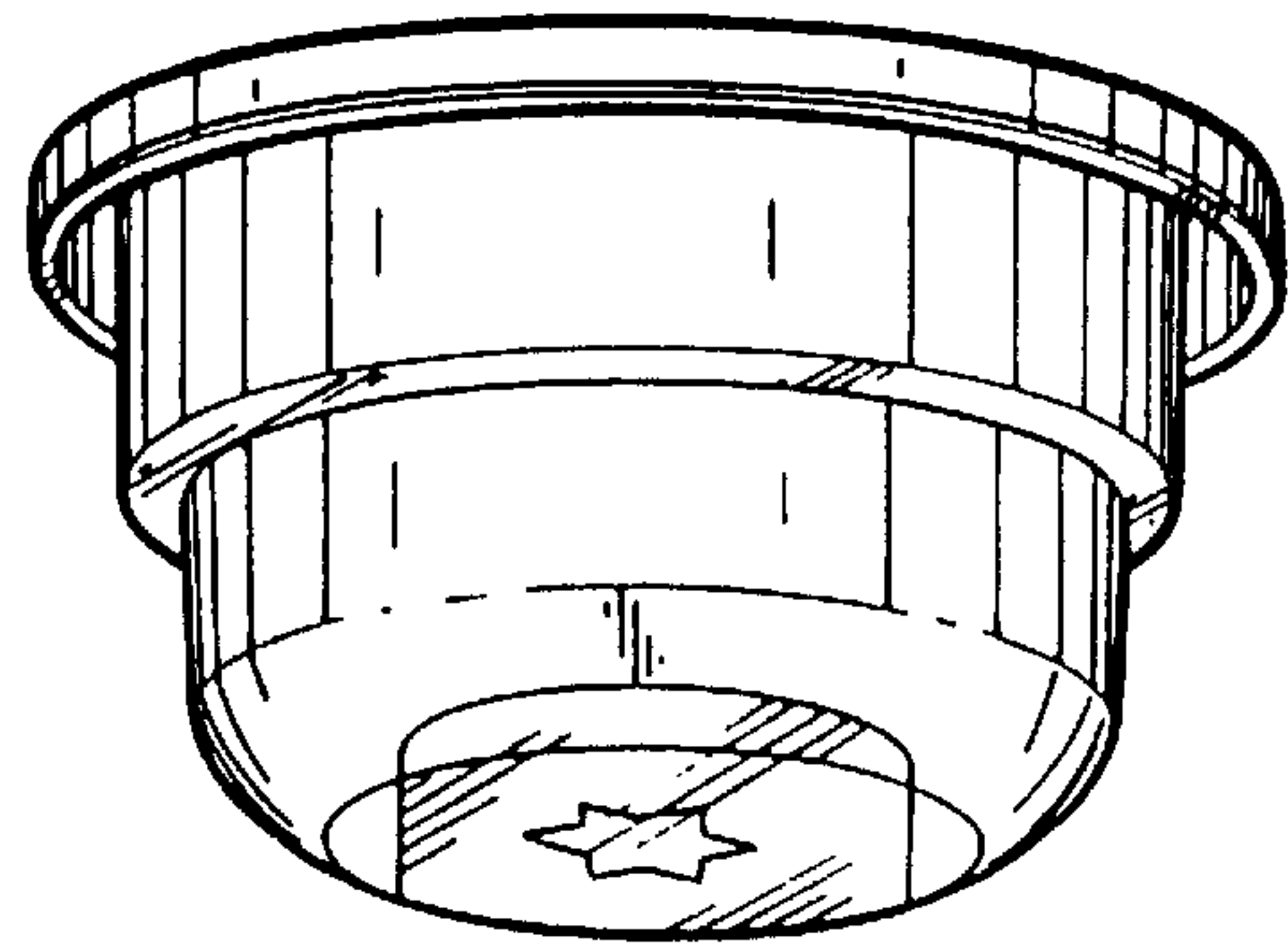
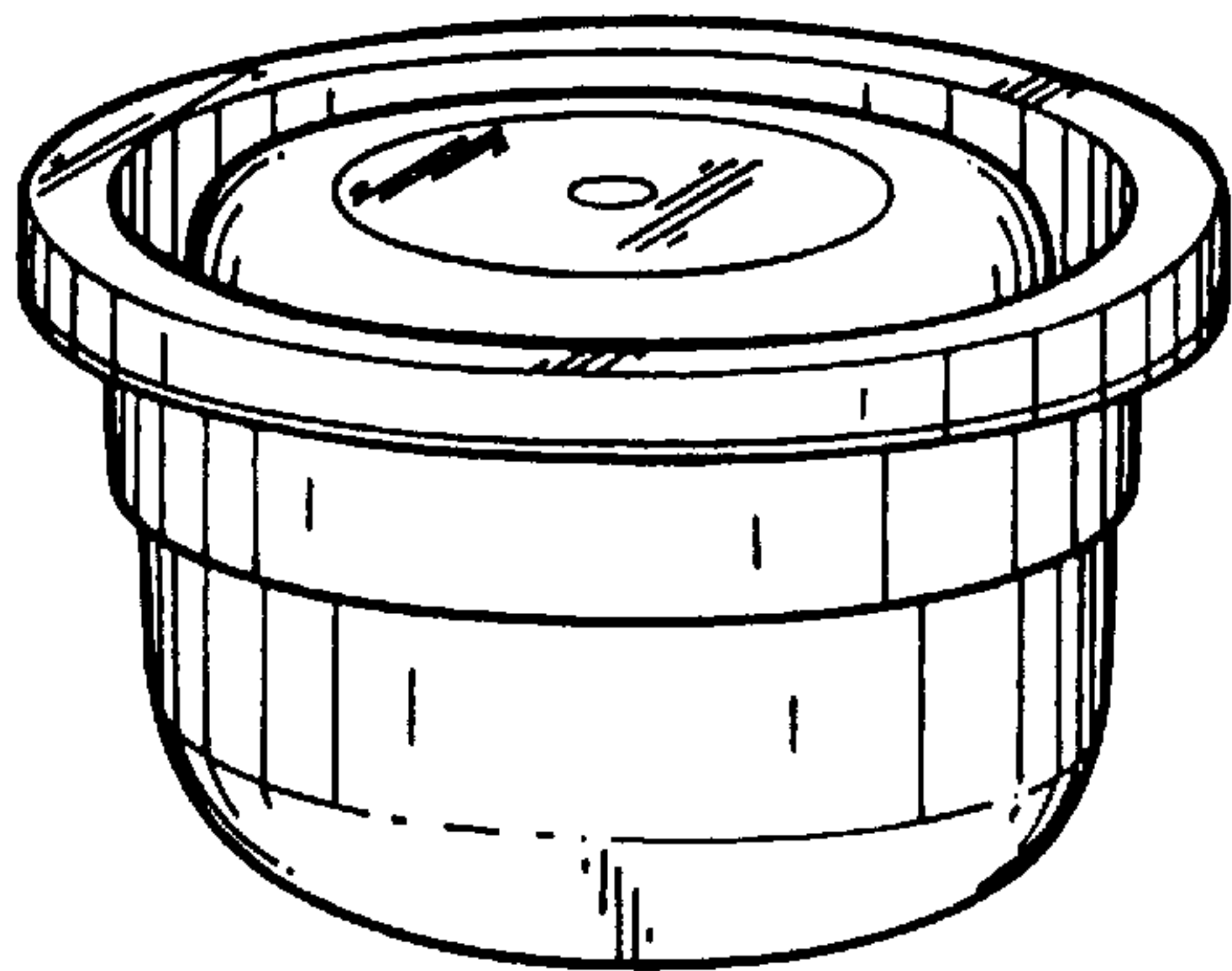
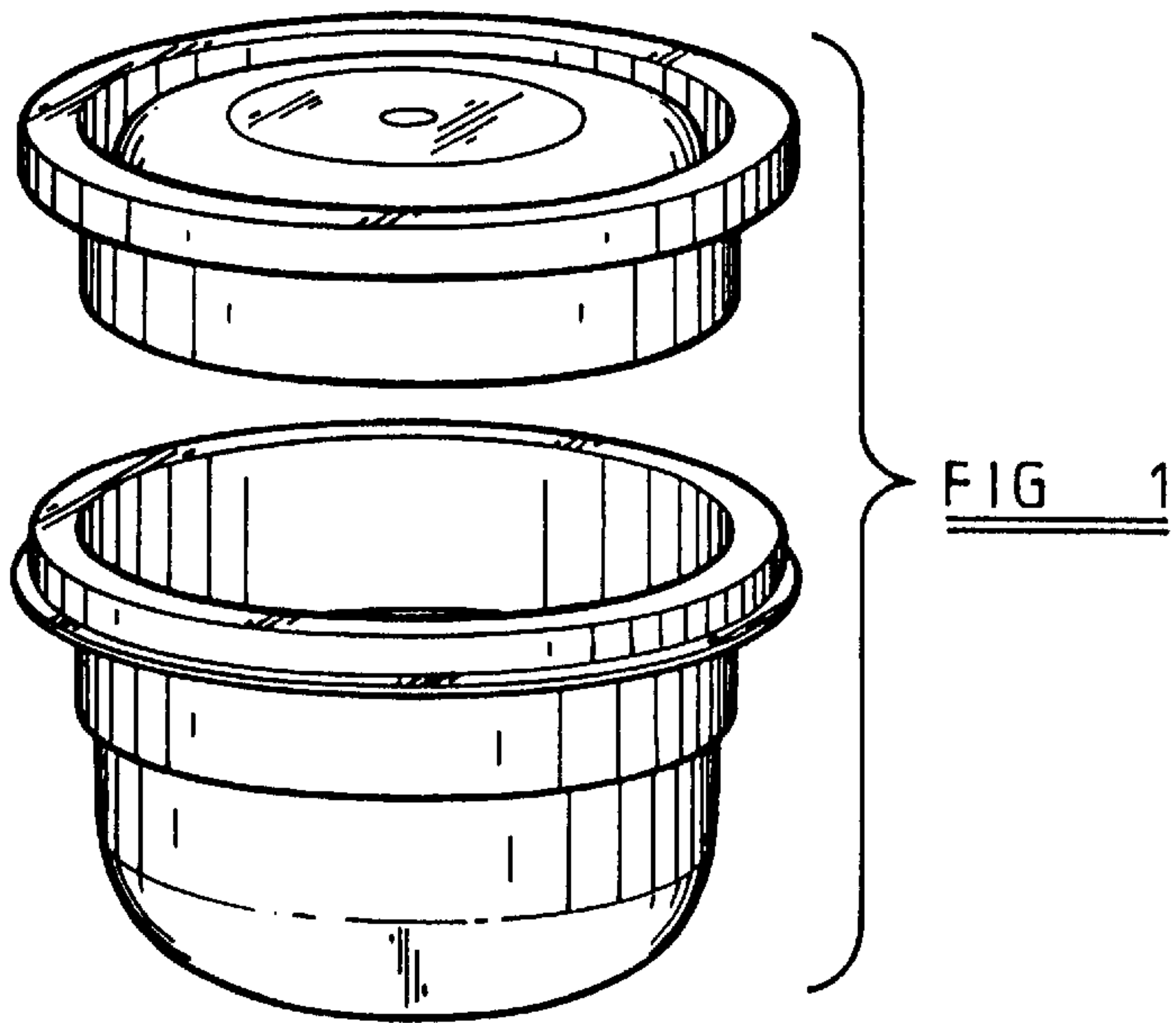


FIG 2

FIG 3

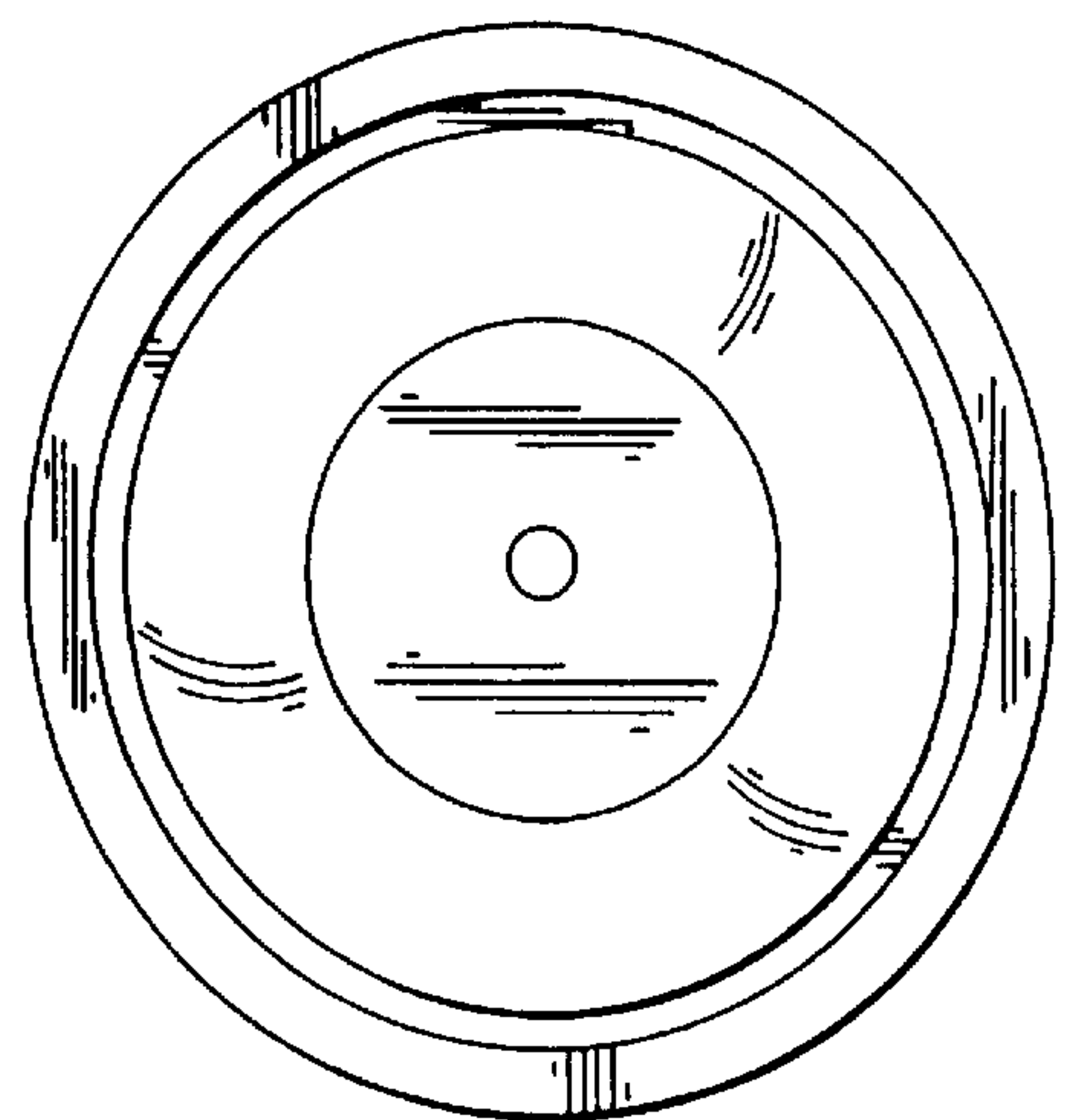
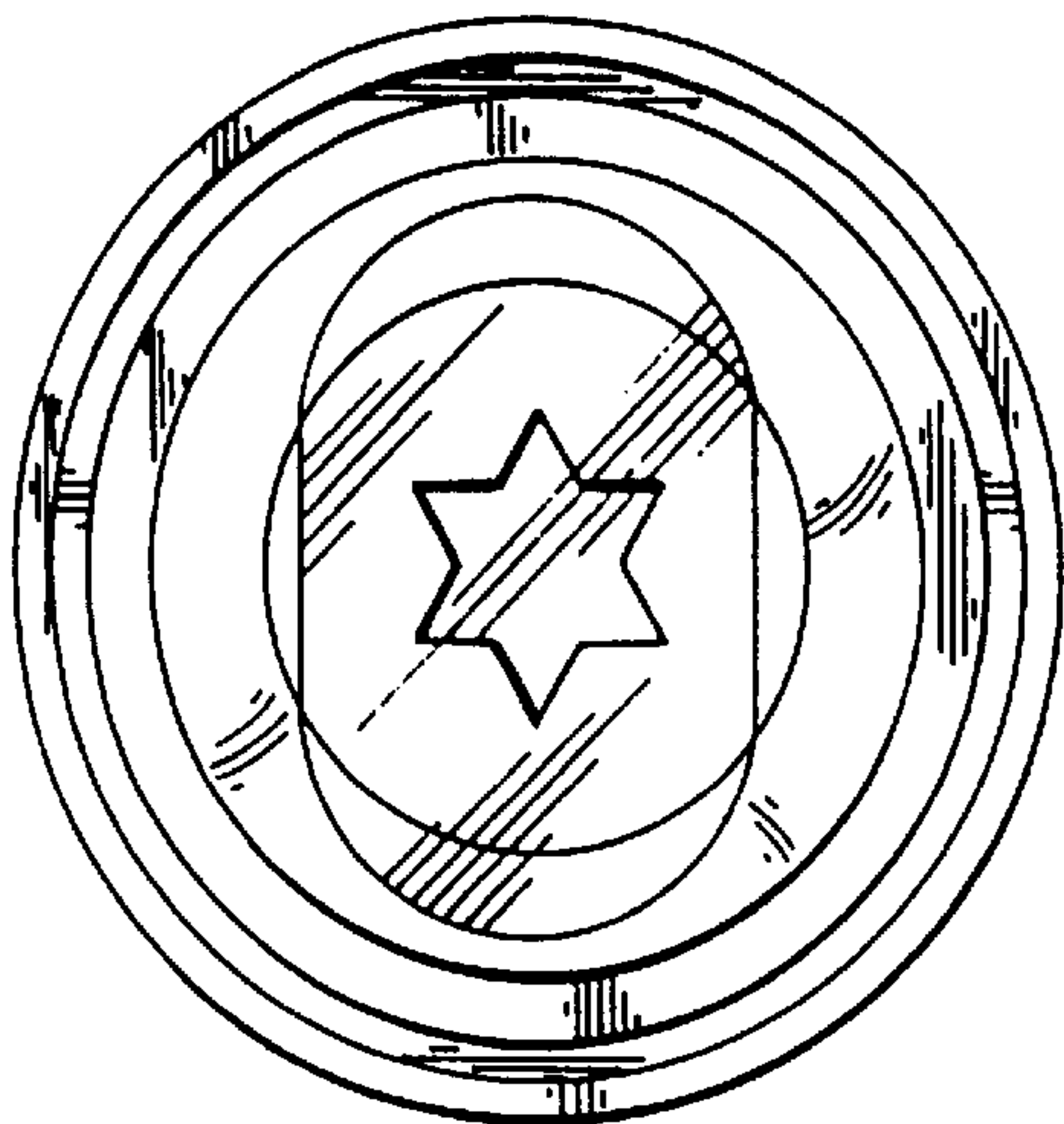


FIG 4

FIG 5

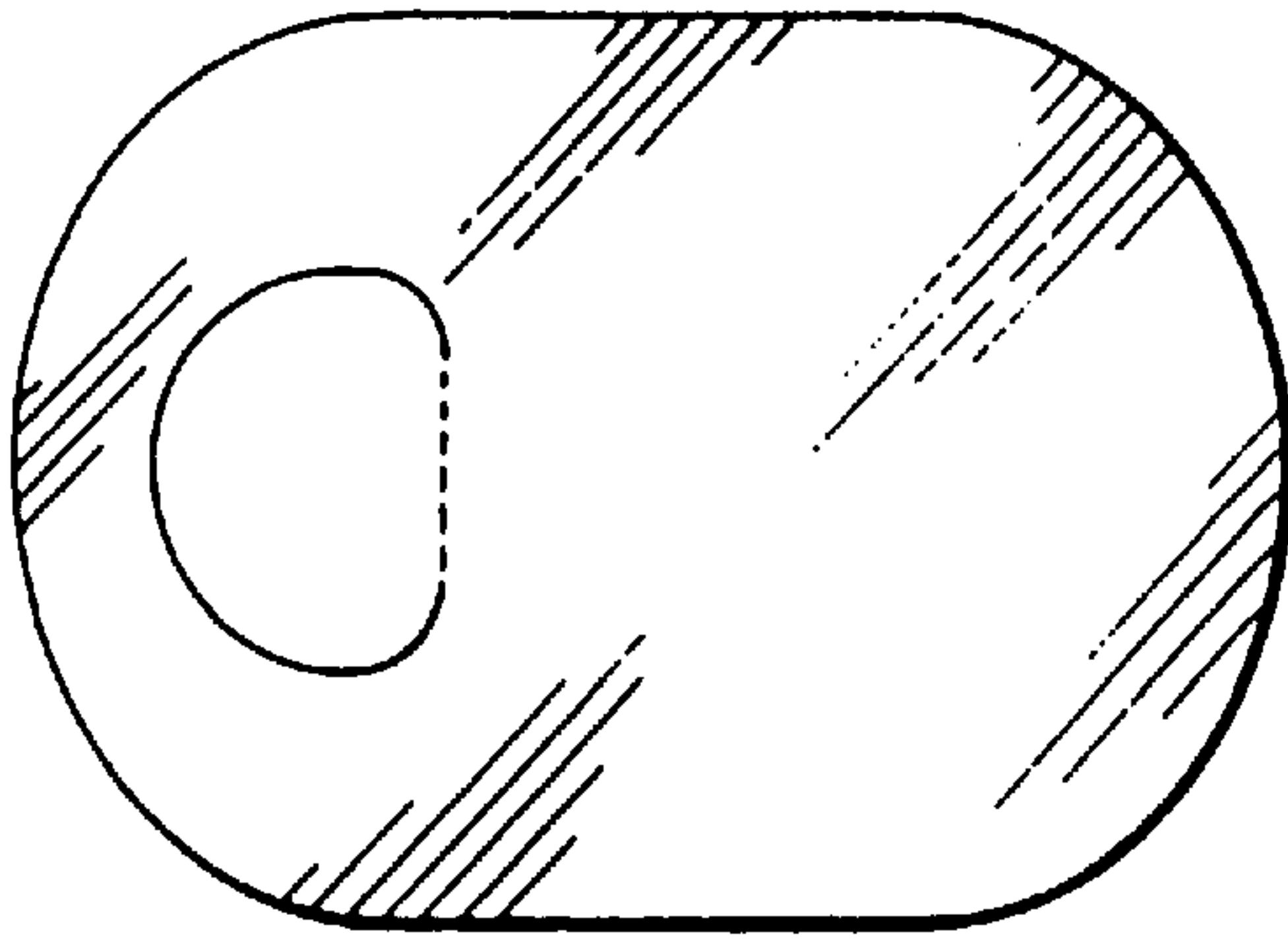


FIG 6

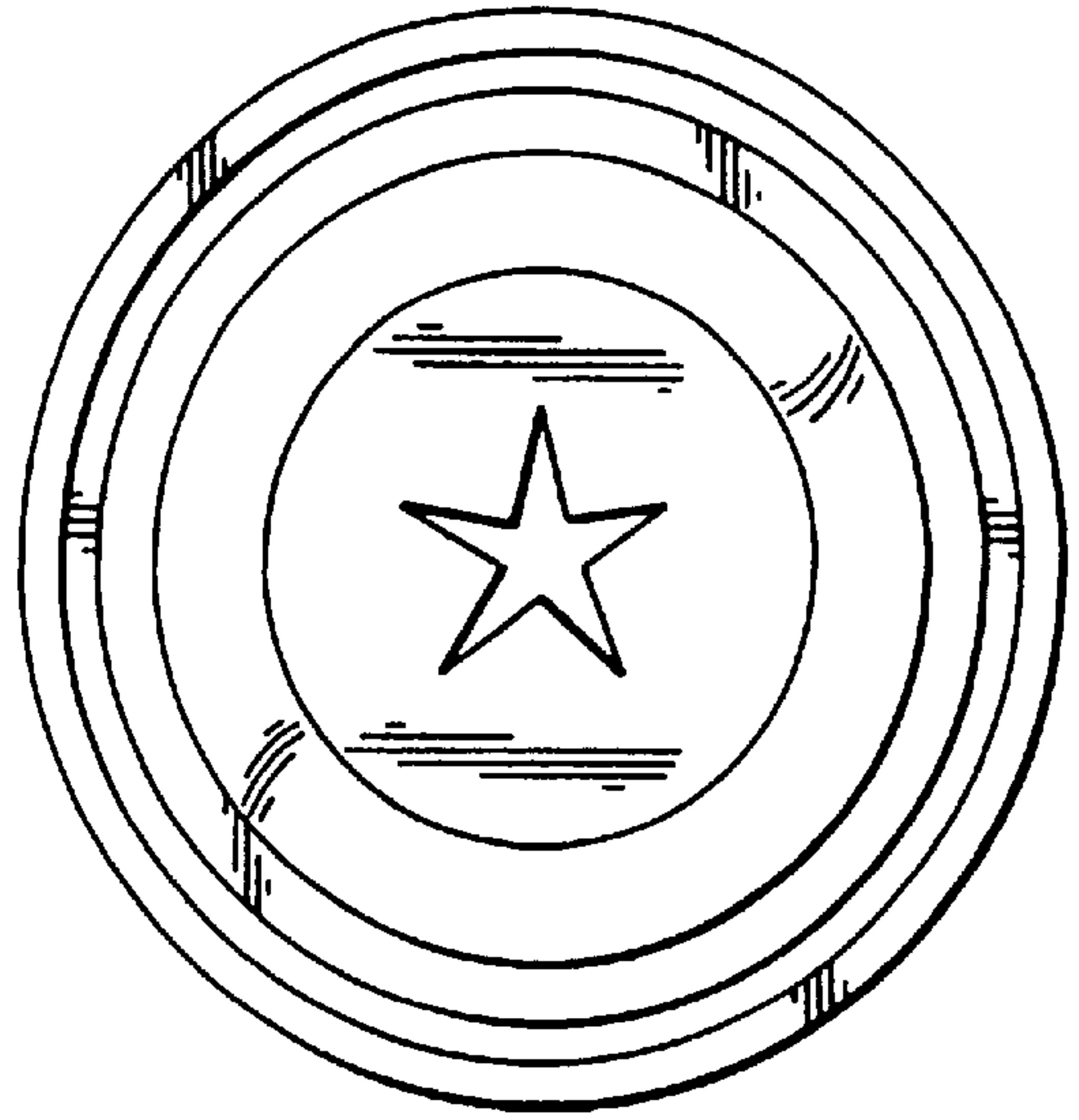


FIG 7

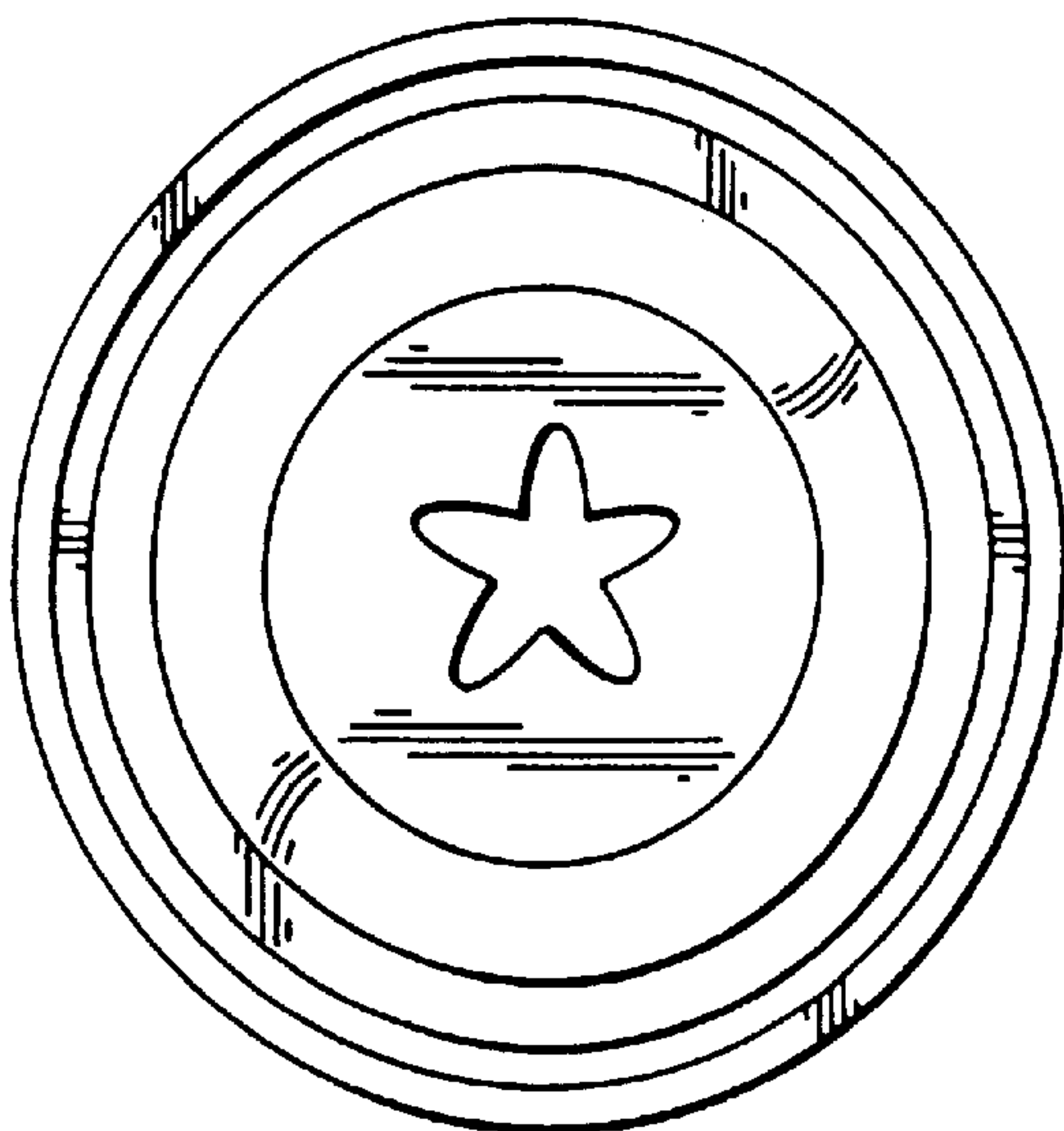


FIG 8

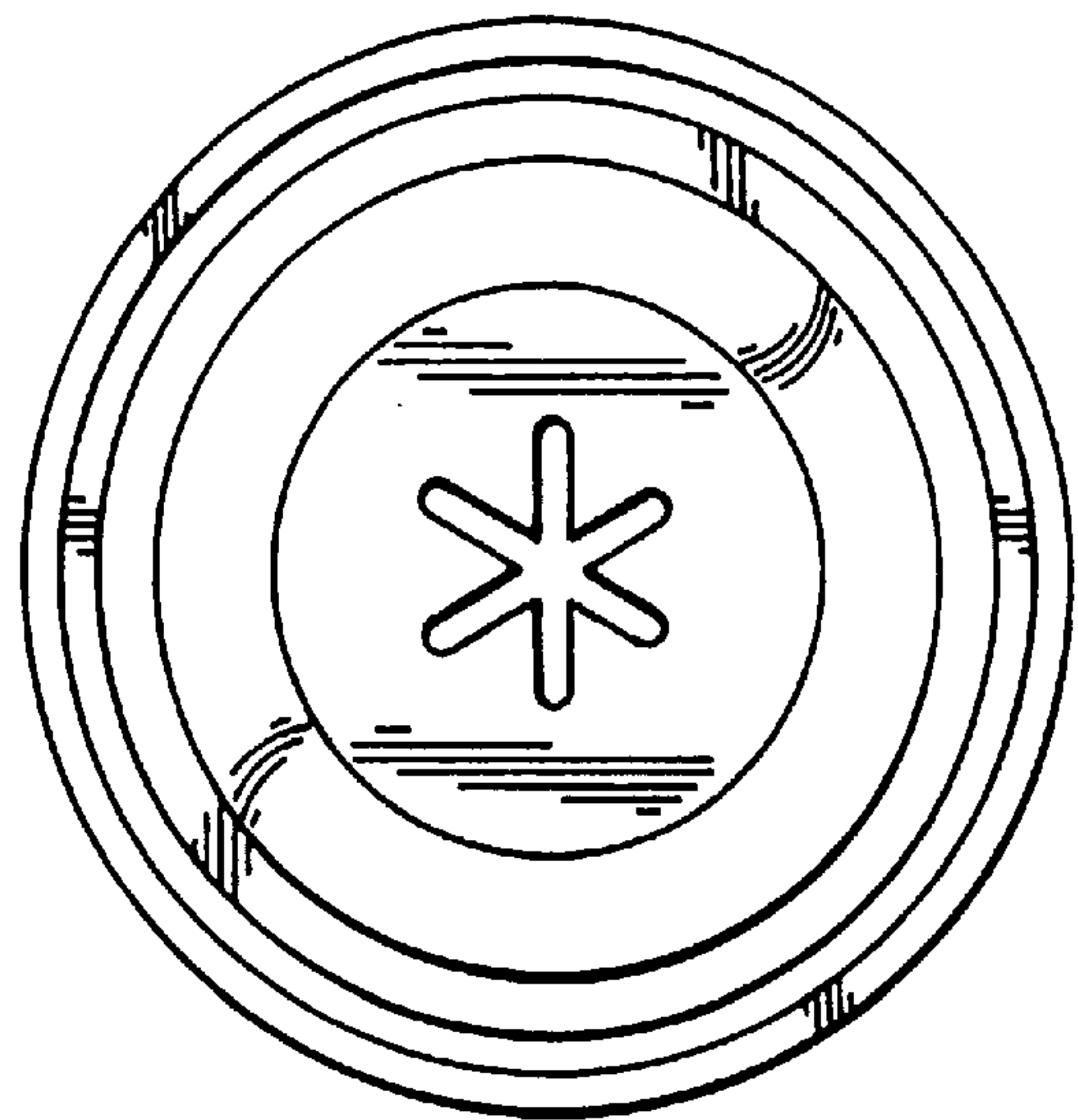


FIG 9