



US00D404261S

United States Patent [19]

Lake et al.

[11] **Patent Number: Des. 404,261**

[45] **Date of Patent: **Jan. 19, 1999**

[54] **BABY SPOON TRAIN**

[76] Inventors: **Melissa W. Lake**, 321 Sunny La., Belleair, Fla. 33756; **Peter Dunst**, 1648 Summerdale Dr., Clearwater, Fla. 33764

[**] Term: **14 Years**

[21] Appl. No.: **83,954**

[22] Filed: **Feb. 20, 1998**

[51] **LOC (6) Cl. 07-03**

[52] **U.S. Cl. D7/655**

[58] **Field of Search** D7/651, 654, 655; D4/107; 30/324, 326

[56] **References Cited**

U.S. PATENT DOCUMENTS

D. 302,090 7/1989 Bergman D7/655
5,655,303 8/1997 Janczak 30/326

Primary Examiner—Caron D. Veynar
Attorney, Agent, or Firm—Larson-Larson, P.A.; James E. Larson

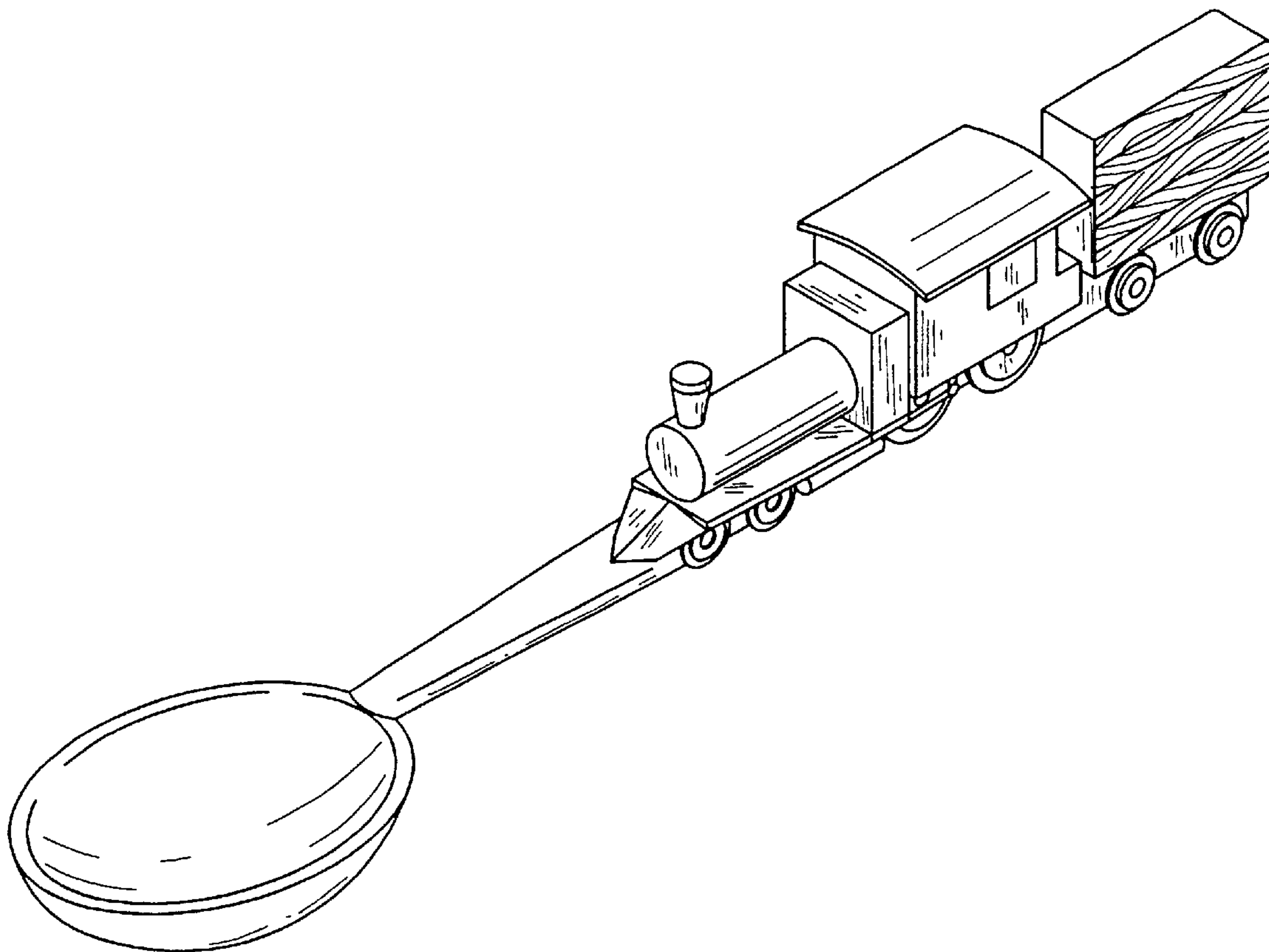
[57] **CLAIM**

The ornamental design for a baby spoon train, as shown and described.

DESCRIPTION

FIG. 1 is a perspective view of our baby spoon train showing our new design;
FIG. 2 is a left side elevational view thereof;
FIG. 3 is a right side elevational view thereof;
FIG. 4 is a top plan view thereof;
FIG. 5 is a bottom plan view thereof;
FIG. 6 is a front view thereof; and,
FIG. 7 is a rear view thereof.

1 Claim, 3 Drawing Sheets



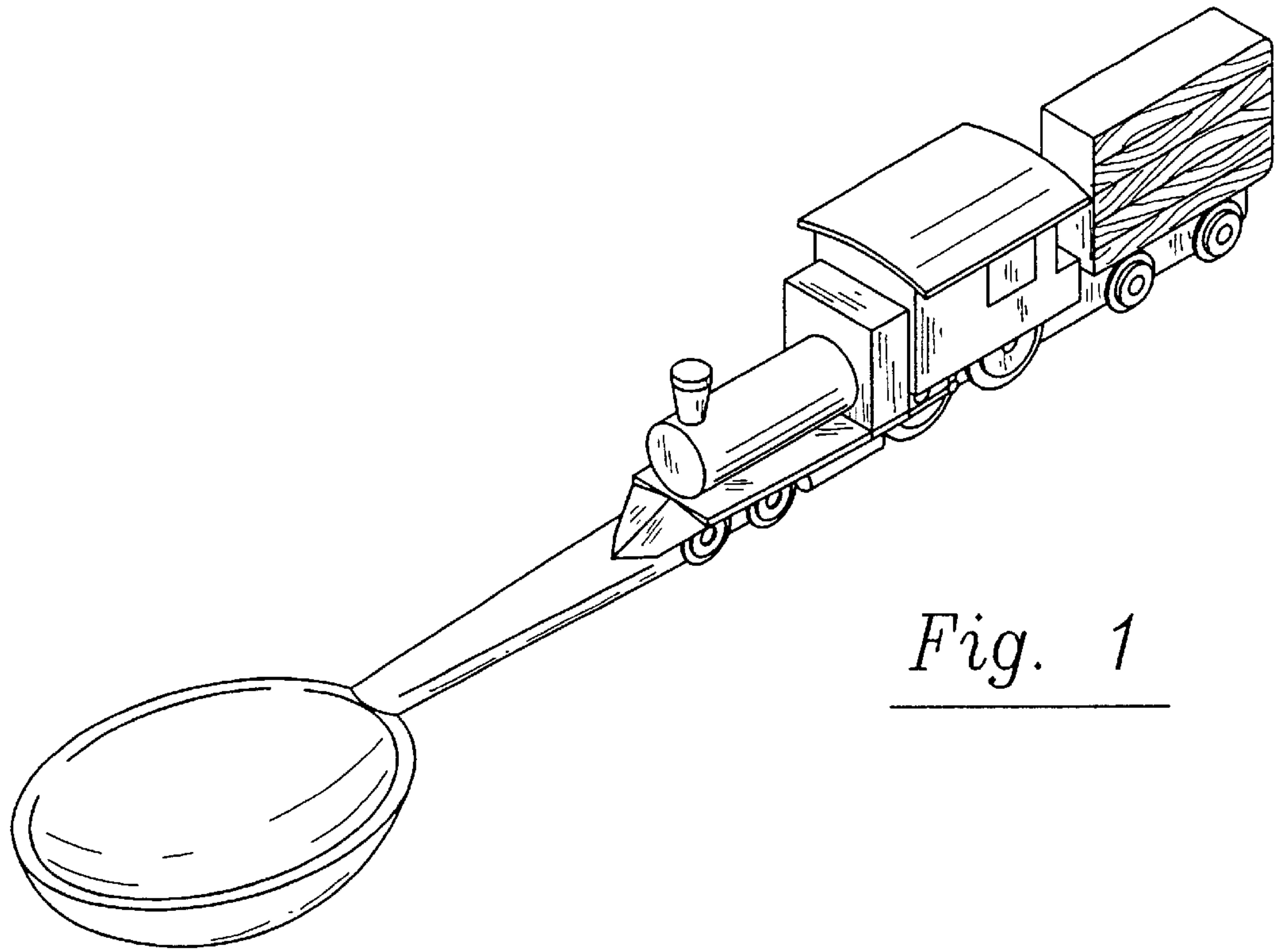


Fig. 1

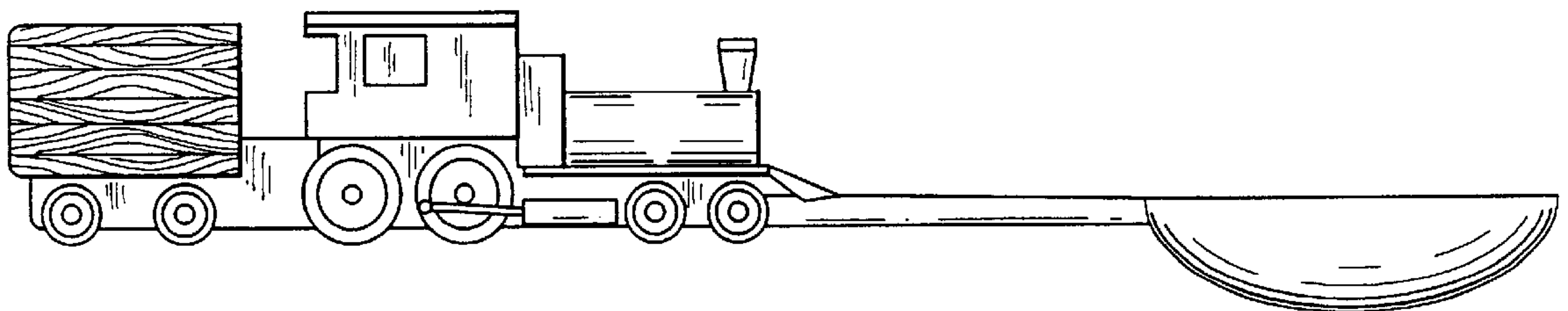


Fig. 2

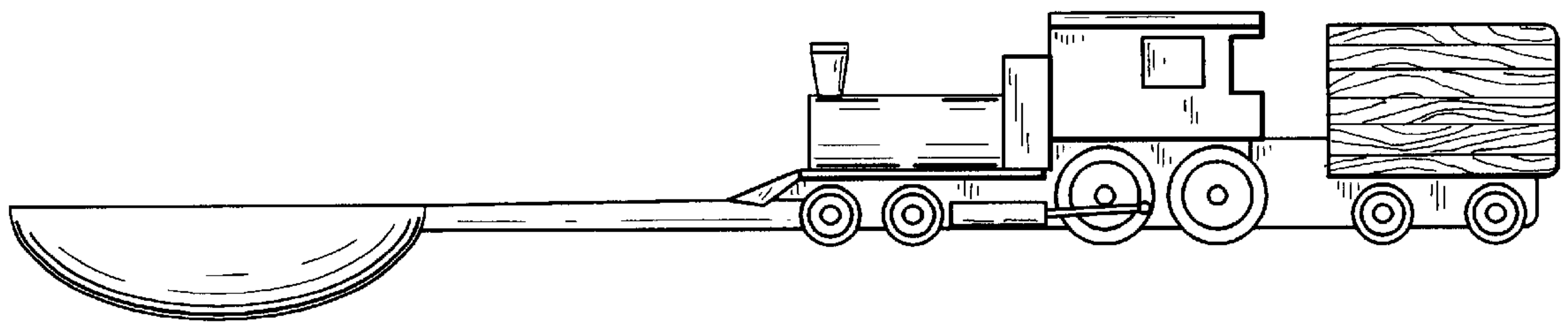


Fig. 3

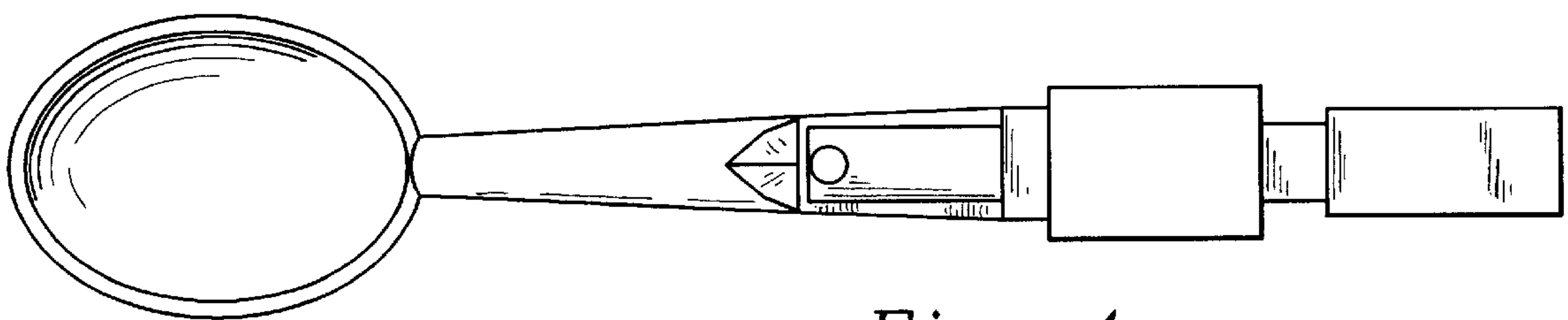


Fig. 4

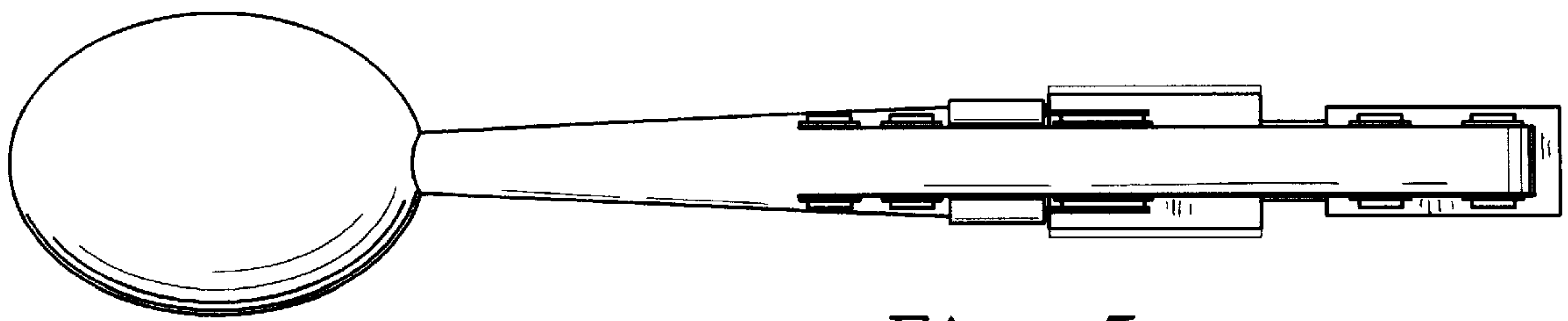


Fig. 5

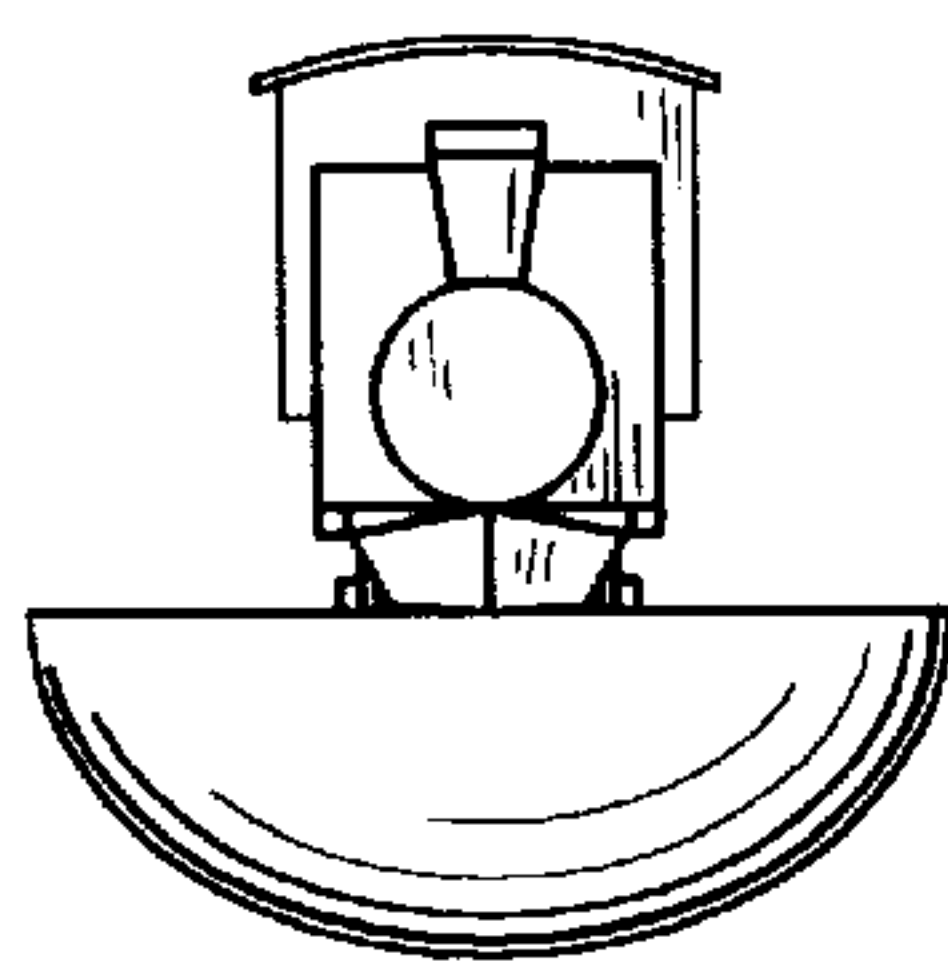


Fig. 6

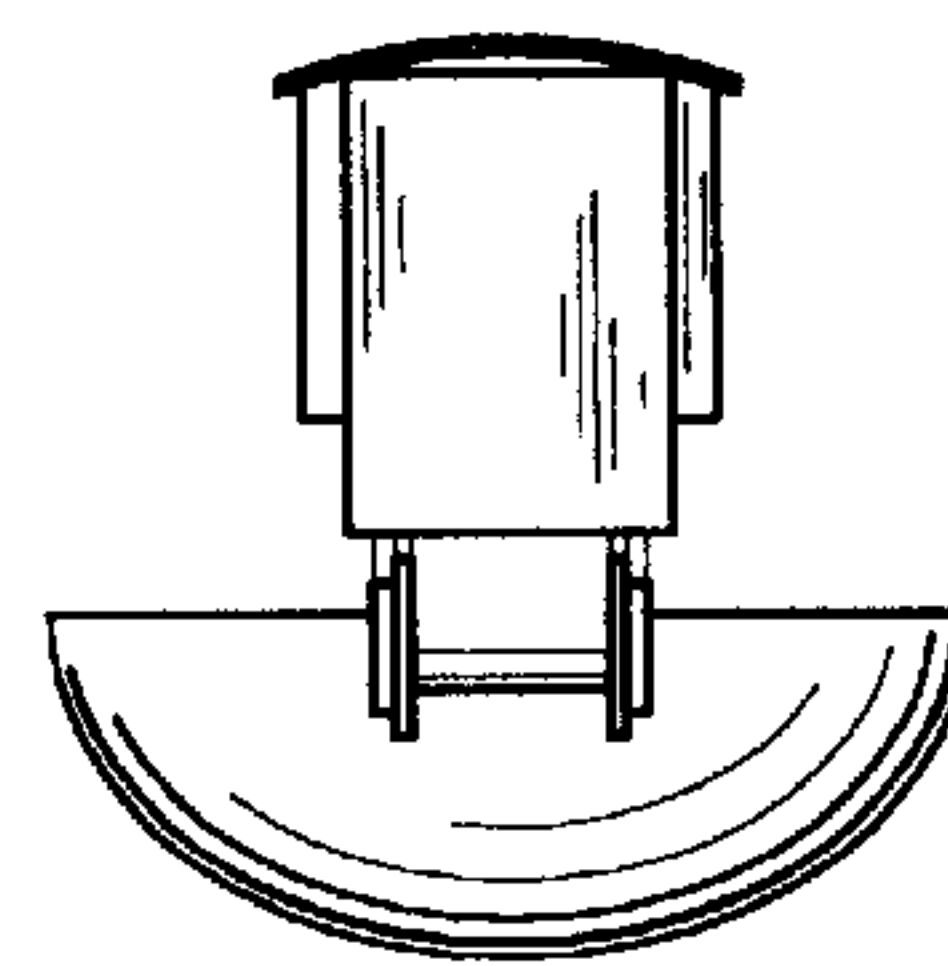


Fig. 7