



US00D404259S

# United States Patent [19] Tisdale

[11] **Patent Number: Des. 404,259**

[45] **Date of Patent: \*\*Jan. 19, 1999**

[54] **SPICE JAR**

[75] Inventor: **David W. Tisdale**, Southport, Conn.

[73] Assignee: **M. Kamenstein, Inc.**, Elmsford, N.Y.

[\*\*] Term: **14 Years**

[21] Appl. No.: **83,050**

[22] Filed: **Jan. 30, 1998**

[51] **LOC (6) Cl.** ..... **07-01**

[52] **U.S. Cl.** ..... **D7/590; D7/615**

[58] **Field of Search** ..... D7/590-597, 612-615;  
D9/526, 551, 519; 206/509; 215/370, 379,  
400; 220/4.27, 23.4, 23.6, 23.83

[56] **References Cited**

**U.S. PATENT DOCUMENTS**

D. 86,712 4/1932 Fuerst ..... D9/526 X  
D. 99,010 3/1936 Garwood ..... D9/526

D. 370,834 6/1996 Hartman ..... D7/612

**OTHER PUBLICATIONS**

Glassware—Catalog H, p. 13, f60—Crystal Display Jar.

*Primary Examiner*—Terry A. Wallace

*Attorney, Agent, or Firm*—Robert A. Koons, Jr.

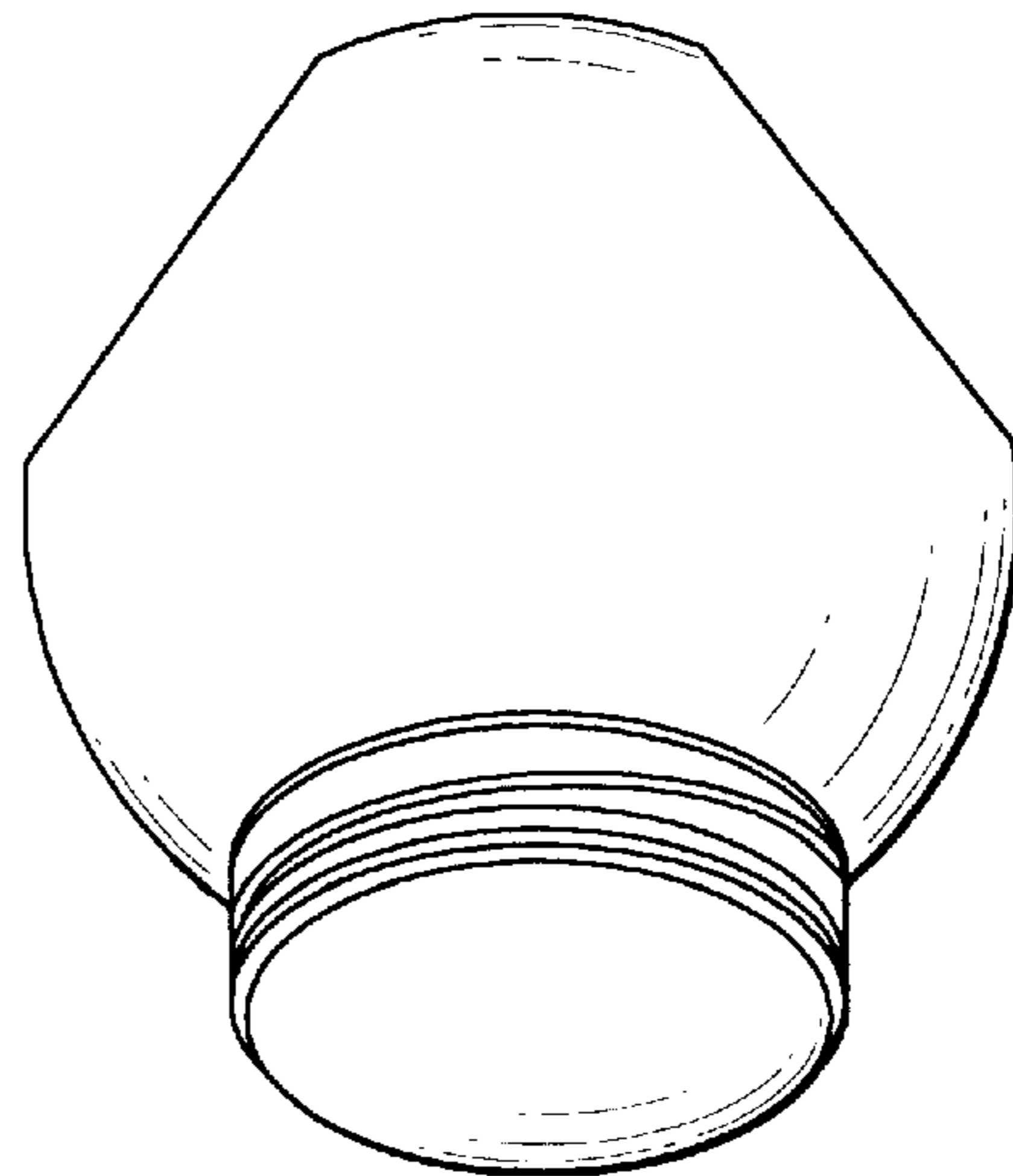
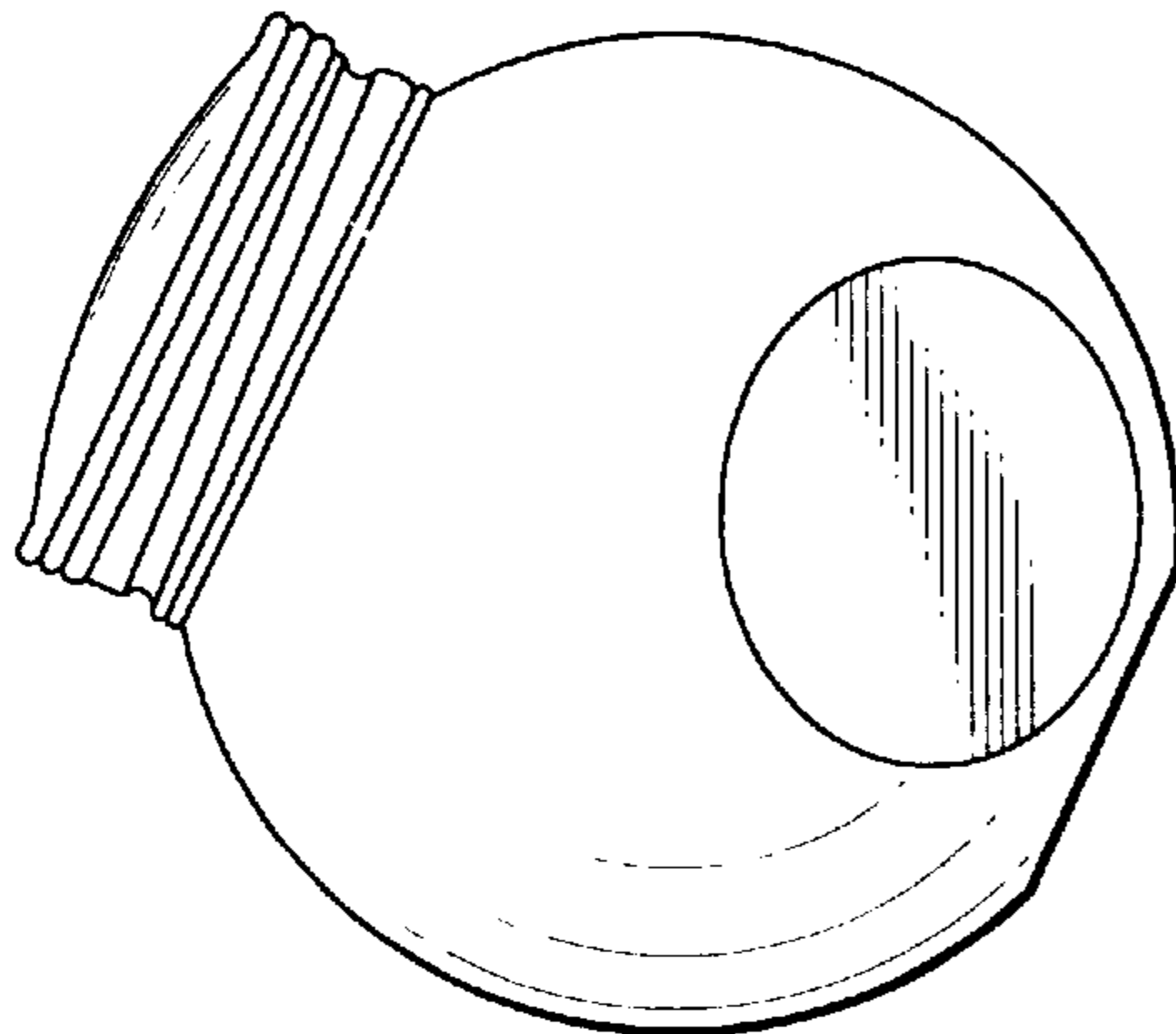
[57] **CLAIM**

The ornamental design for a spice jar, as shown and described.

**DESCRIPTION**

FIG. 1 is a right side view of a spice jar showing my new design, the left side view being a mirror image thereof; FIG. 2 is a top plan view thereof; FIG. 3 is a bottom plan view thereof; FIG. 4 is a front elevational view thereof; and, FIG. 5 is a back elevational view thereof.

**1 Claim, 1 Drawing Sheet**



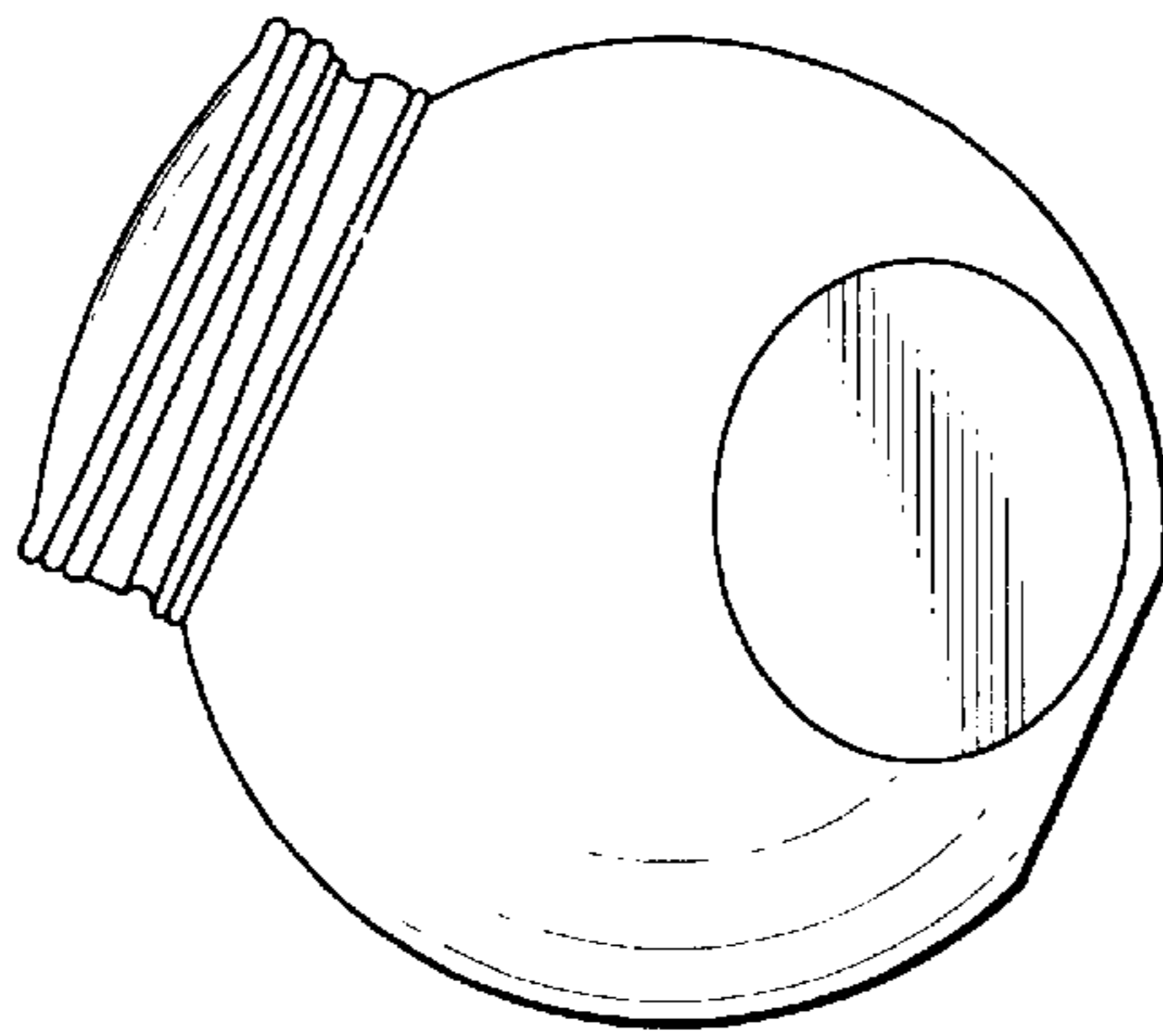


FIG. 1

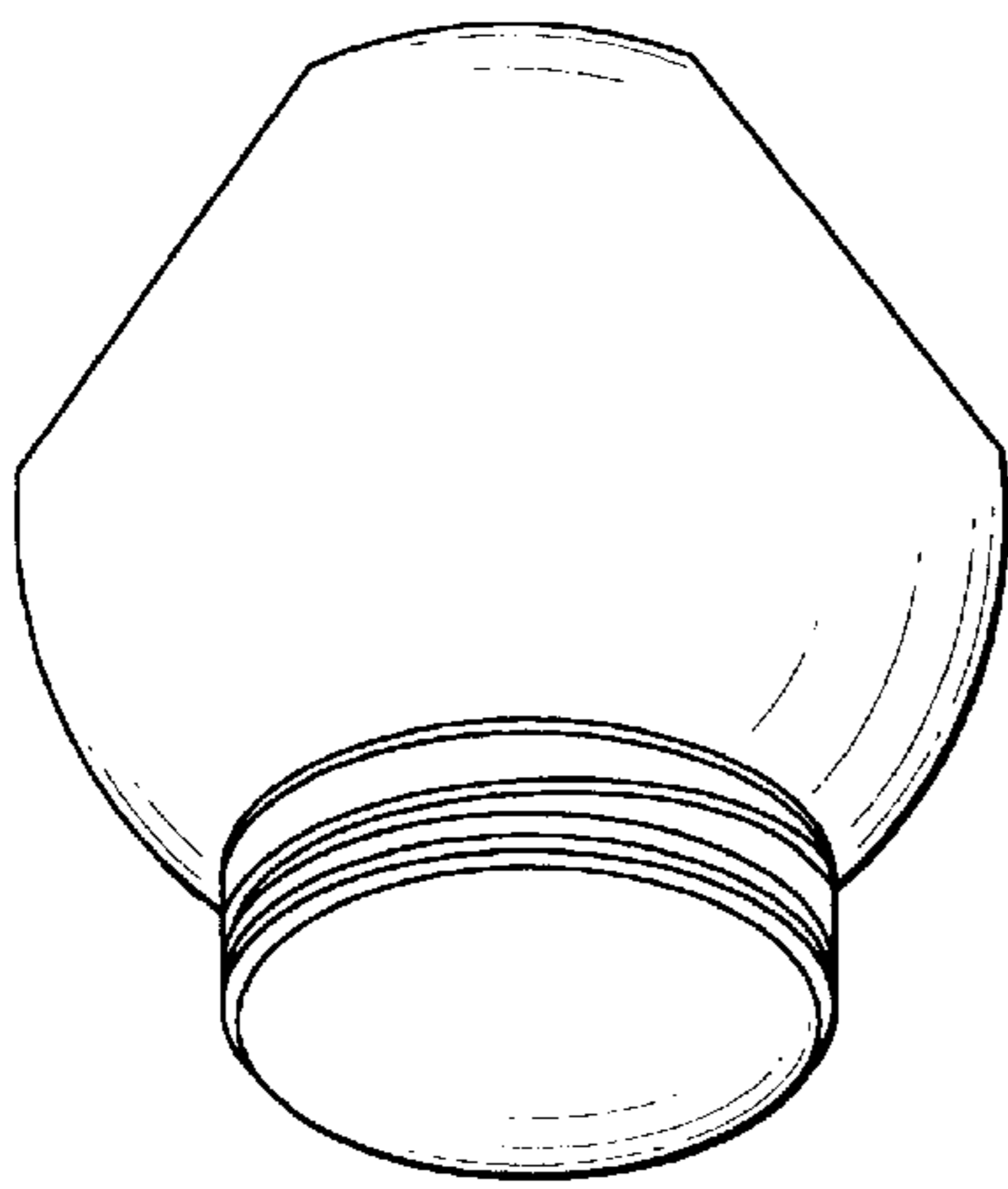


FIG. 2

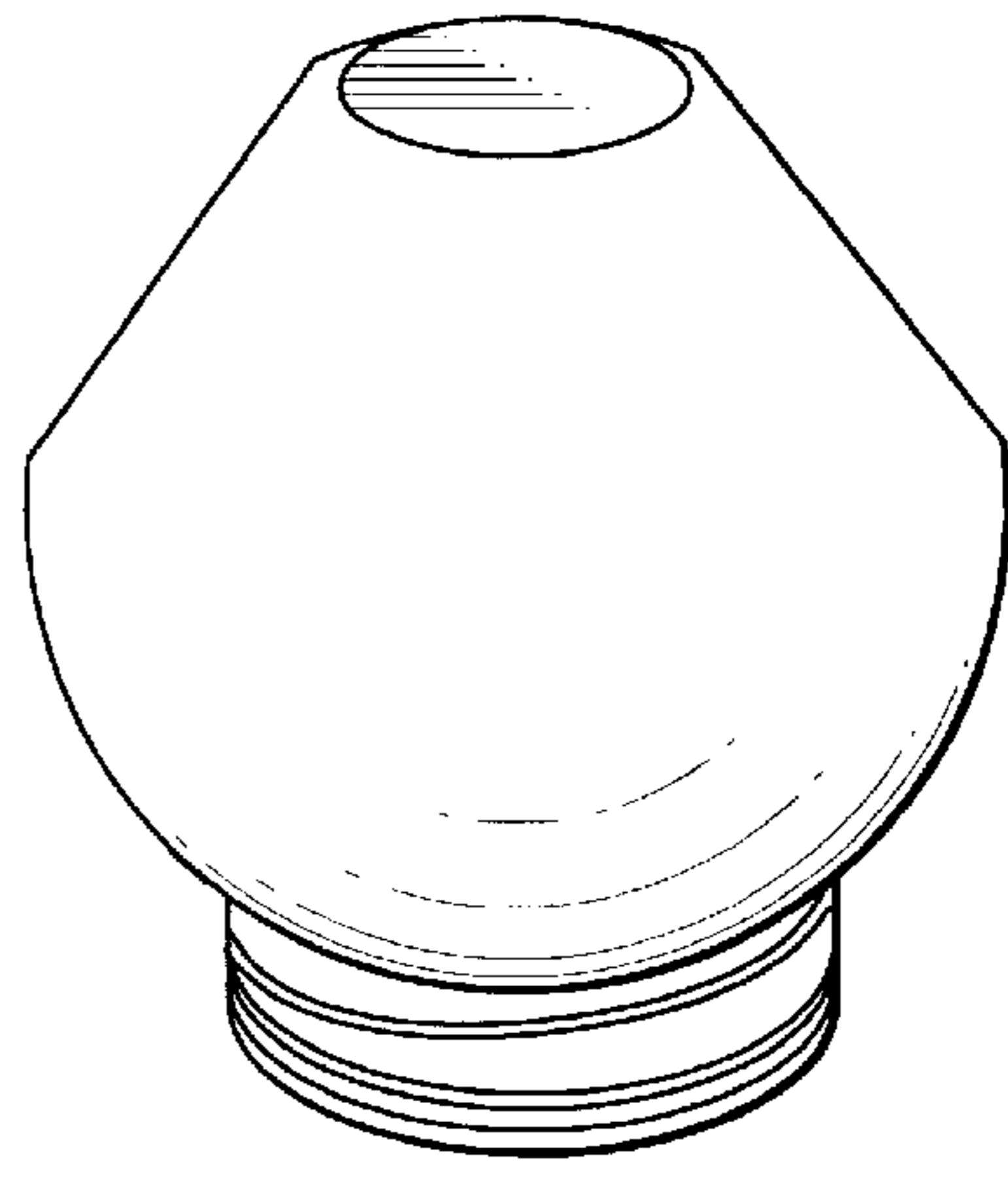


FIG. 3

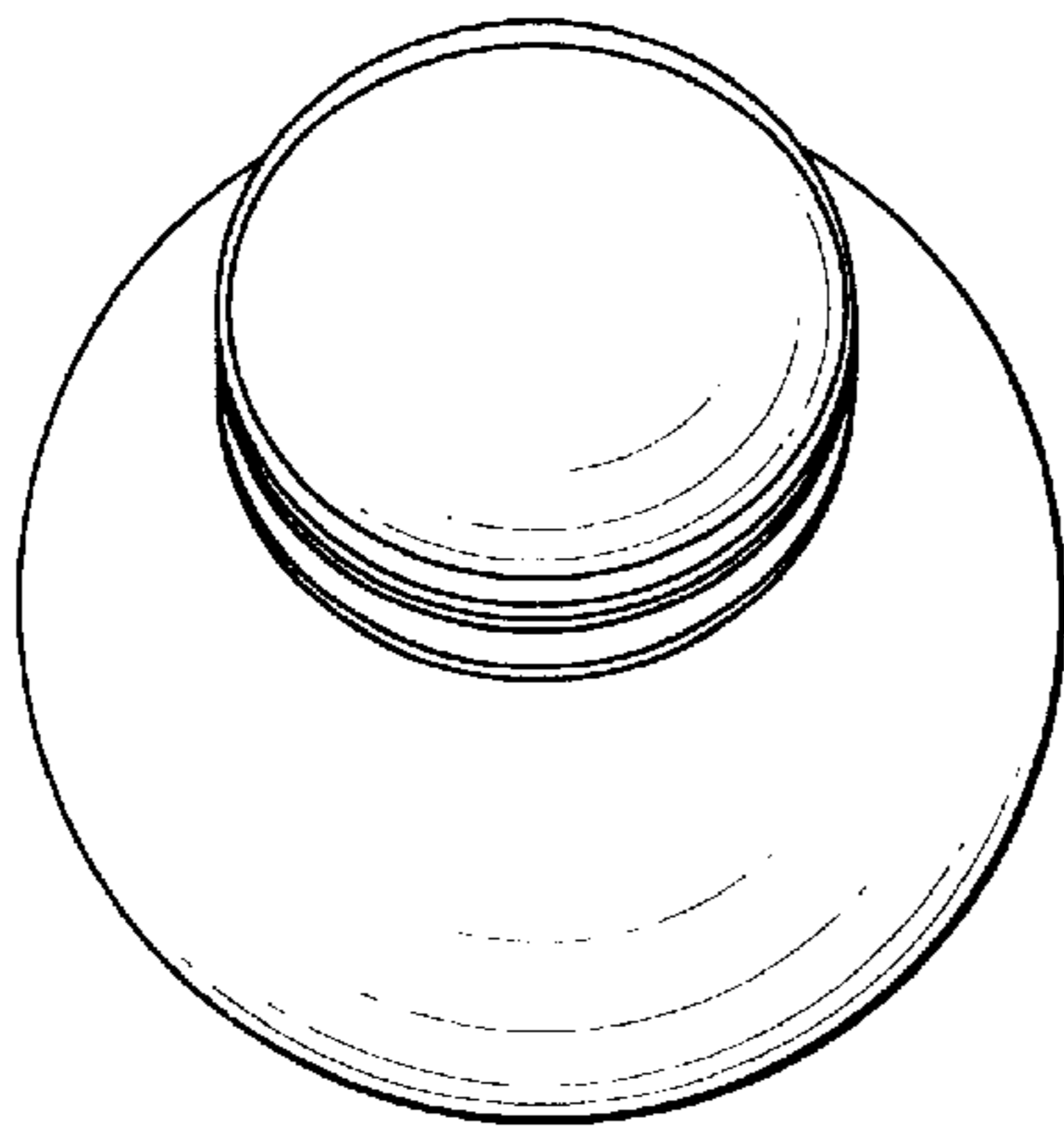


FIG. 4

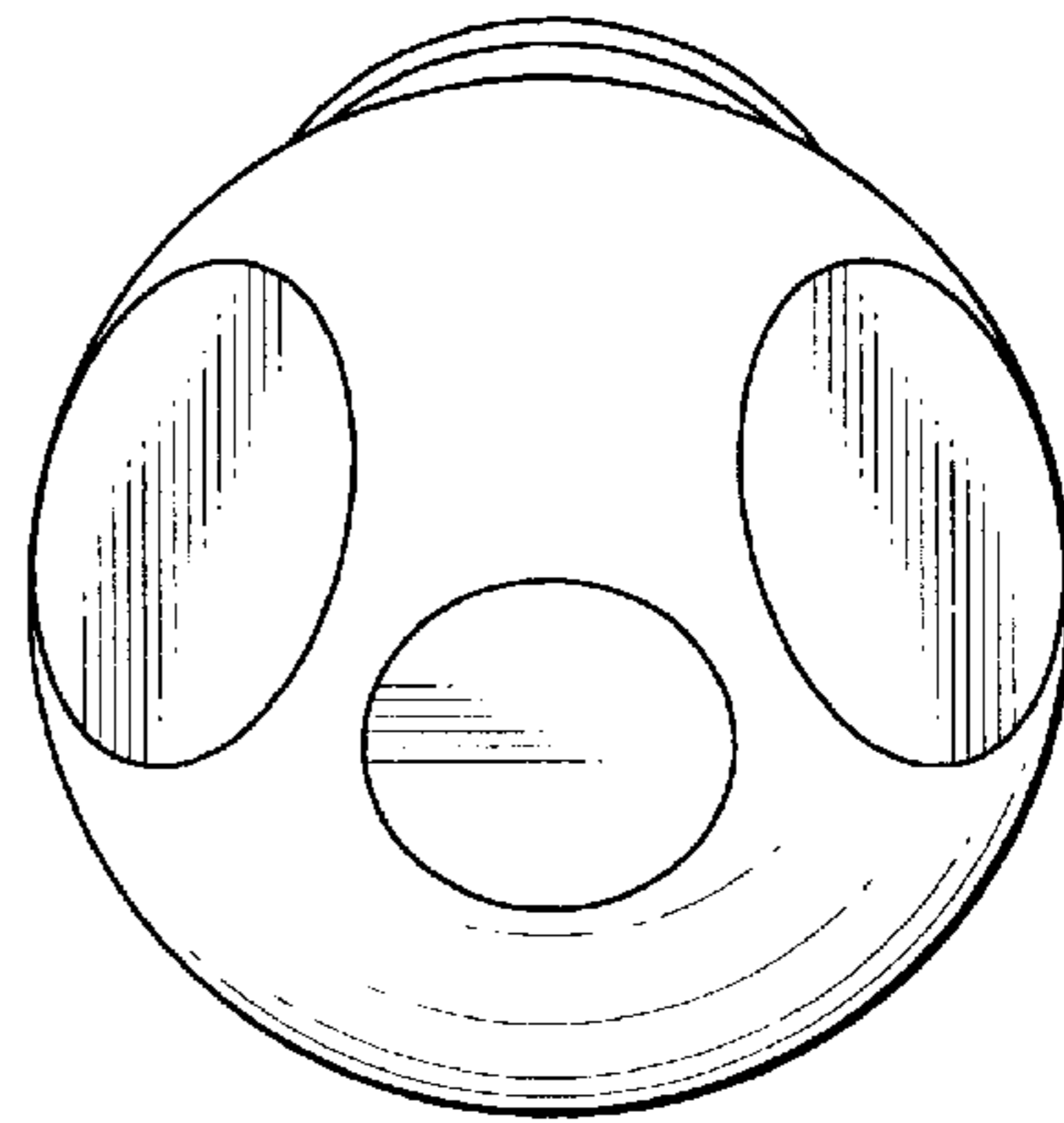


FIG. 5