



US00D404258S

# United States Patent [19] Indekeu

[11] **Patent Number: Des. 404,258**

[45] **Date of Patent: \*\*Jan. 19, 1999**

[54] **BOWL**

[75] Inventor: **Erik Indekeu**, Borgerhout, Belgium

[73] Assignee: **De Ster NV**, Belgium

[\*\*] Term: **14 Years**

[21] Appl. No.: **69,405**

[22] Filed: **Apr. 11, 1997**

[51] **LOC (6) Cl.** ..... **07-01**

[52] **U.S. Cl.** ..... **D7/585; D7/586; D7/554.2; D7/545**

[58] **Field of Search** ..... D7/551, 560, 562, D7/563, 564, 571, 574, 572, 575, 507, 505, 546, 549, 550, 553, 554, 555, 588, 585, 545, 554.2, 543; 220/238, 575, 556, 571; 206/571

[56] **References Cited**

**U.S. PATENT DOCUMENTS**

D. 12,701 1/1882 Conger ..... D7/551  
D. 12,704 1/1882 Conger ..... D7/551

D. 70,867 8/1926 Thompson ..... D7/560  
D. 101,242 9/1936 Poglein ..... D7/588  
D. 339,268 9/1993 Zabner ..... D7/588  
D. 351,316 10/1994 Mann ..... D7/556  
D. 365,498 12/1995 Lillelund et al. .... D7/505  
D. 379,901 6/1997 Lillelund et al. .... D7/505  
D. 390,752 2/1998 De Coster ..... D7/505

**OTHER PUBLICATIONS**

De Ster NV, Product Catalog.  
De Ster NV, Product Brochures, 1994–1995.

*Primary Examiner*—M. N. Pandozzi  
*Attorney, Agent, or Firm*—Kennedy, Davis & Kennedy, P.C.

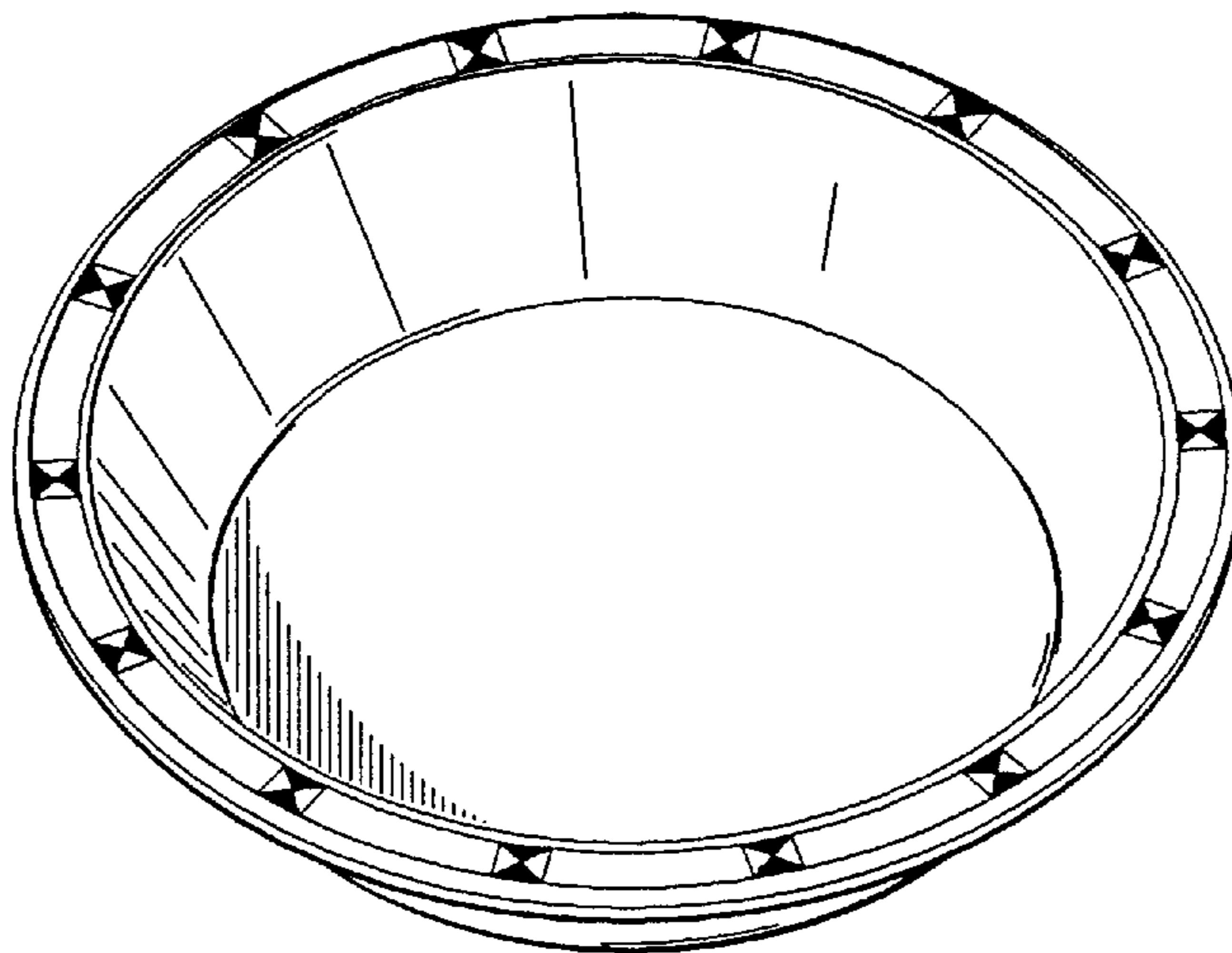
[57] **CLAIM**

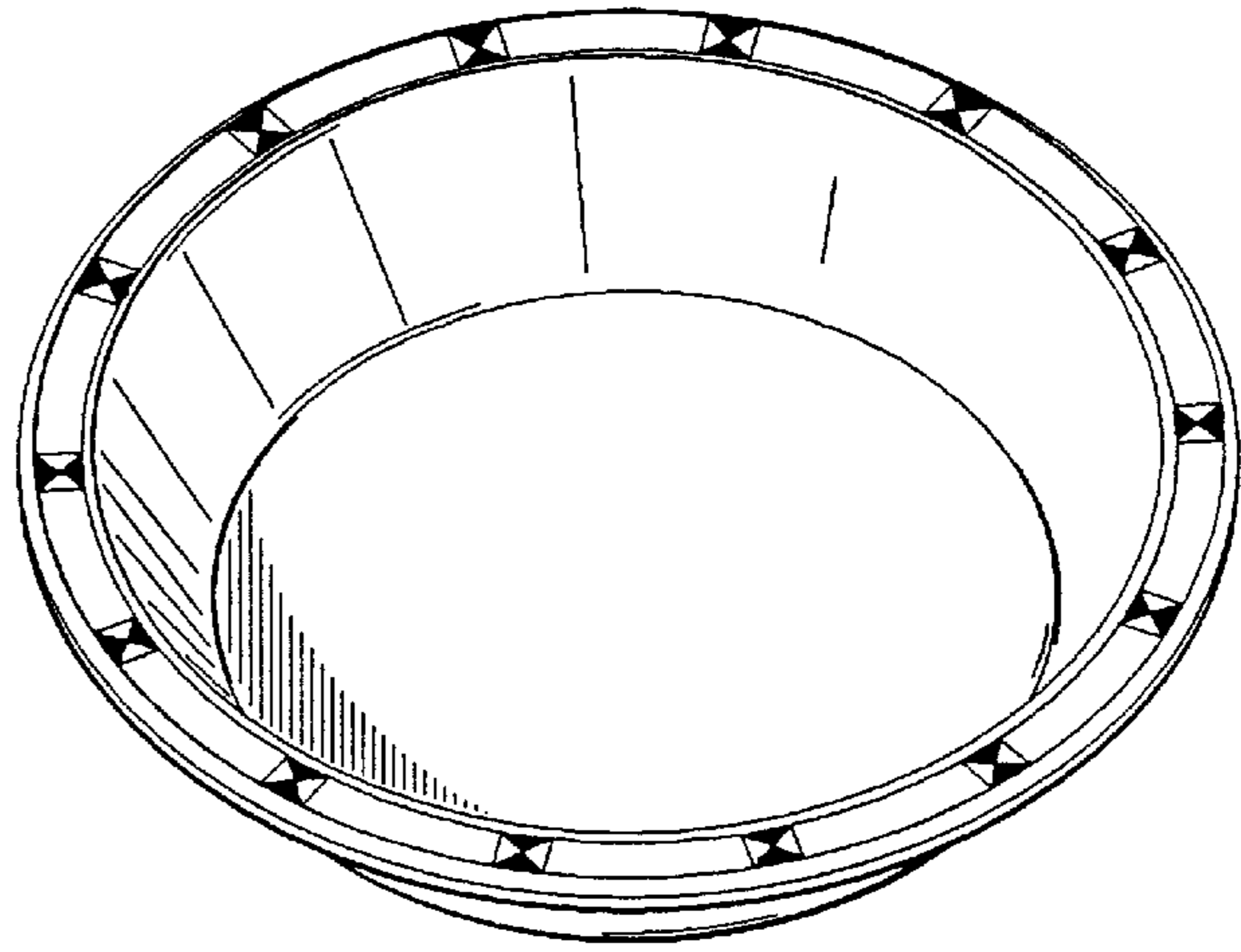
The ornamental design for a bowl, as shown and described.

**DESCRIPTION**

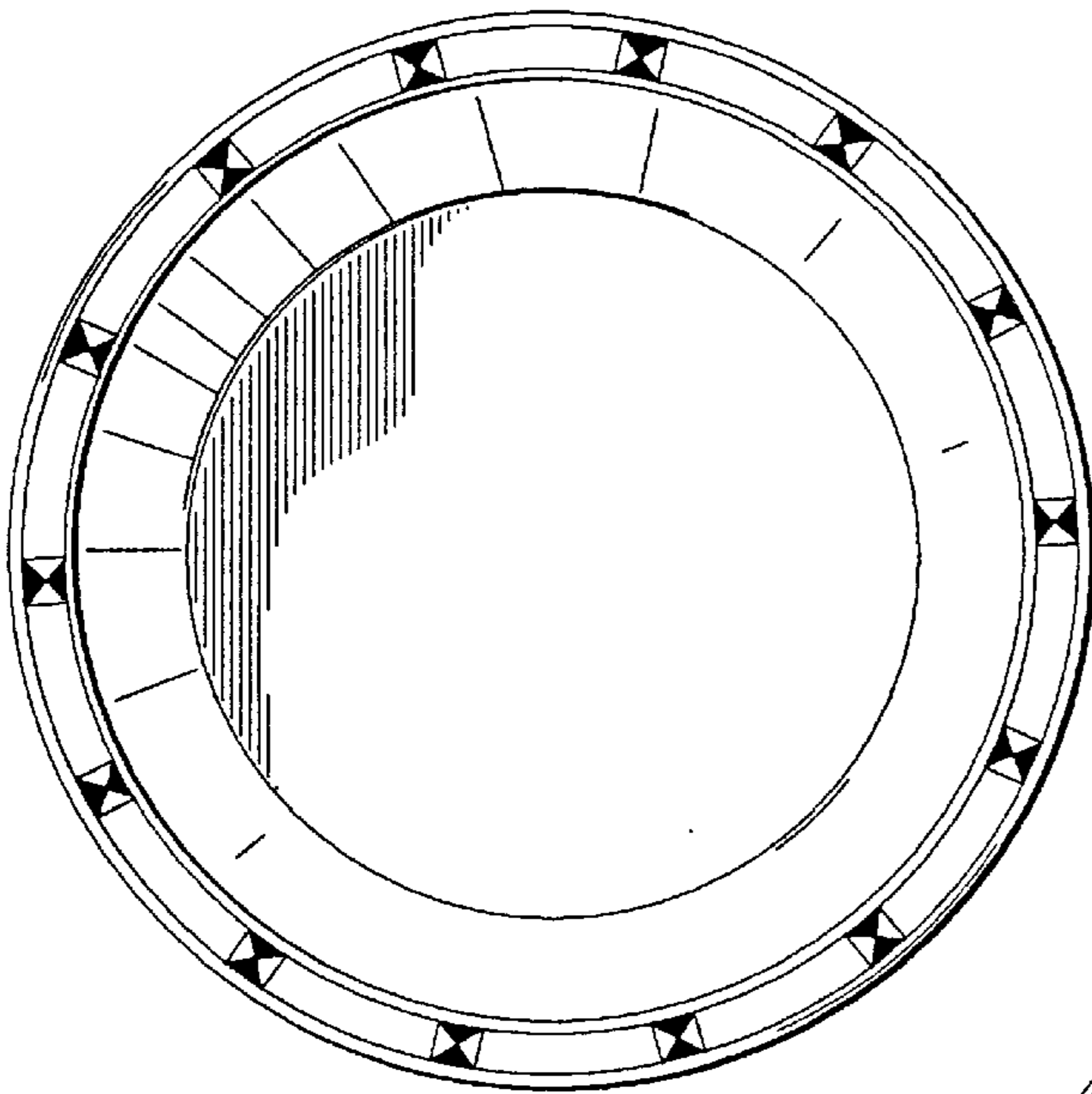
FIG. 1 is a perspective view thereof;  
FIG. 2 is a top view thereof;  
FIG. 3 is a bottom view thereof; and,  
FIG. 4 is a side view thereof, all other sides being the same.

**1 Claim, 1 Drawing Sheet**

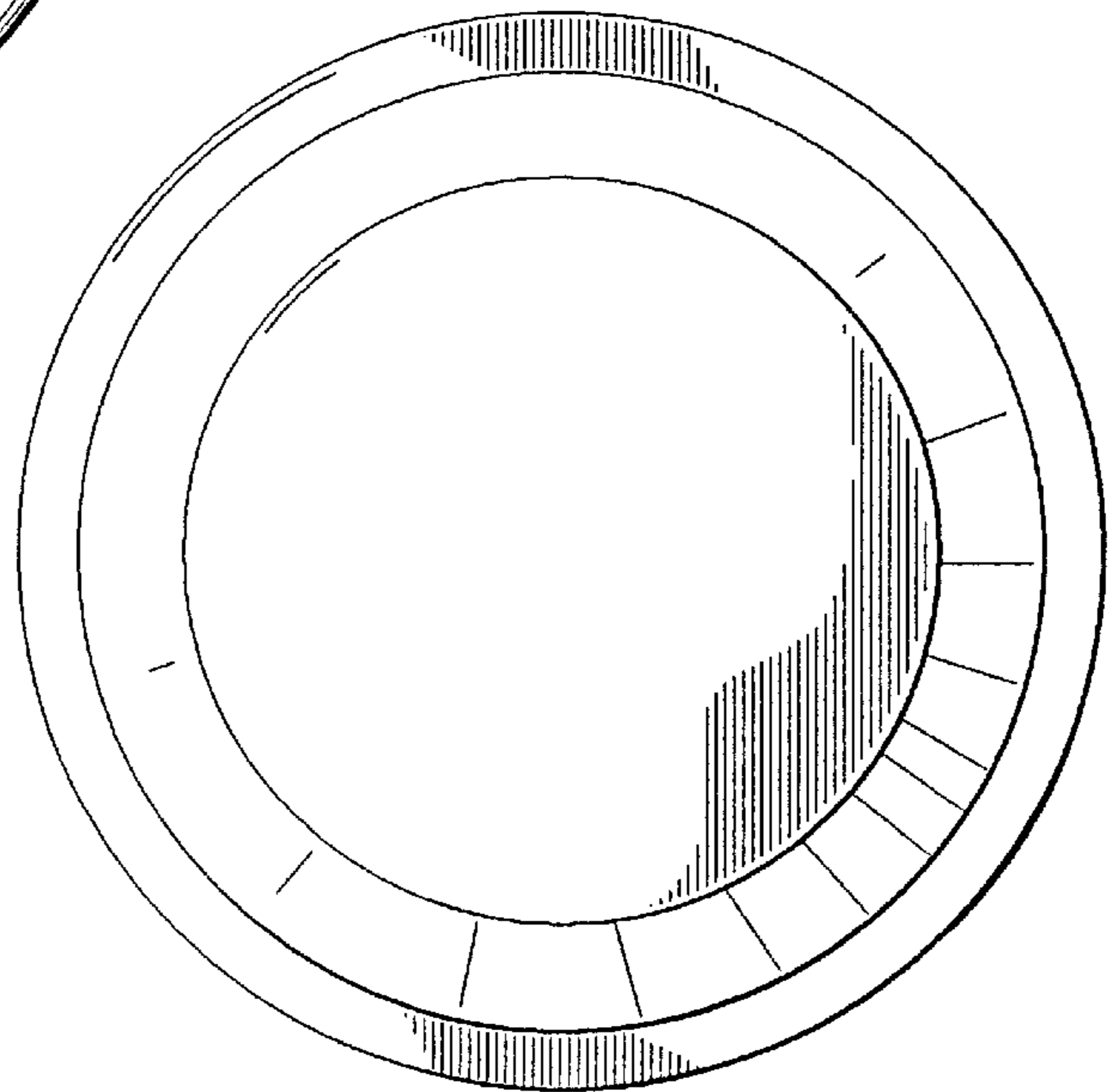




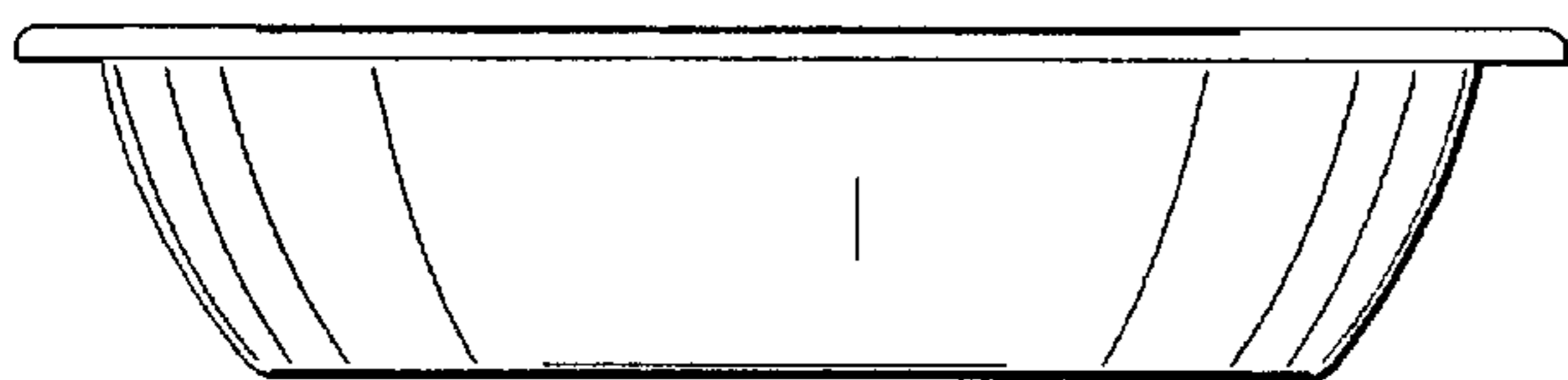
**FIG. 1**



**FIG. 2**



**FIG. 3**



**FIG. 4**