



US00D404257S

United States Patent [19]
Indekeu

[11] **Patent Number: Des. 404,257**

[45] **Date of Patent: **Jan. 19, 1999**

[54] **BOWL**

[75] Inventor: **Erik Indekeu**, Borgerhout, Belgium

[73] Assignee: **De Ster NV**, Belgium

[**] Term: **14 Years**

[21] Appl. No.: **69,166**

[22] Filed: **Apr. 11, 1997**

[51] **LOC (6) Cl.** **07-01**

[52] **U.S. Cl.** **D7/585; D7/586; D7/554.2; D7/545**

[58] **Field of Search** D2/551, 543, 560, D2/545, 562, 563, 564, 571, 574, 572, 575, 507, 505, 546, 554.2, 549, 550, 553, 554, 555, 588, 585; 220/23.8, 575, 556, 571; 206/561

[56] **References Cited**

U.S. PATENT DOCUMENTS

- D. 12,701 1/1882 Conger D7/551
- D. 12,704 1/1882 Conger D7/551

- D. 70,867 8/1926 Thompson D7/560
- D. 101,242 9/1936 Poglein D7/588
- D. 339,268 9/1993 Zabner D7/588
- D. 351,316 10/1994 Mann D7/556
- D. 365,498 12/1995 Lillelund et al. D7/505
- D. 379,901 6/1997 Lillelund et al. D7/505
- D. 390,752 2/1998 De Coster D7/505

OTHER PUBLICATIONS

De Ster NV, Product Catalog.
De Ster NV, Product Brochure, 1994–1995.

Primary Examiner—M. N. Pandozzi
Attorney, Agent, or Firm—Kennedy, Davis & Kennedy, P.C.

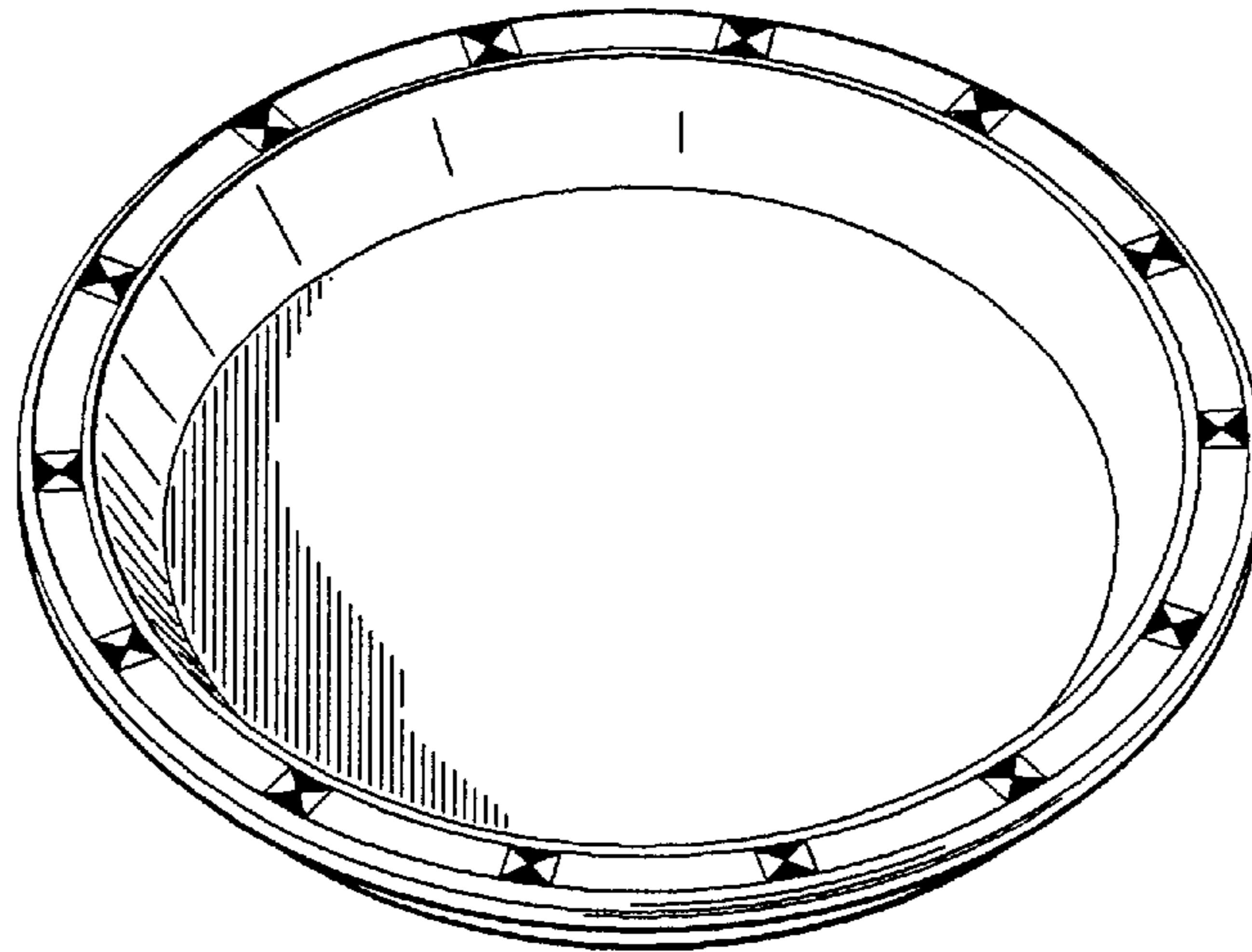
[57] **CLAIM**

The ornamental design for a bowl, as shown and described.

DESCRIPTION

FIG. 1 is a perspective view thereof;
FIG. 2 is a top view thereof;
FIG. 3 is a bottom view thereof; and,
FIG. 4 is a side view thereof, all other sides being the same.

1 Claim, 1 Drawing Sheet



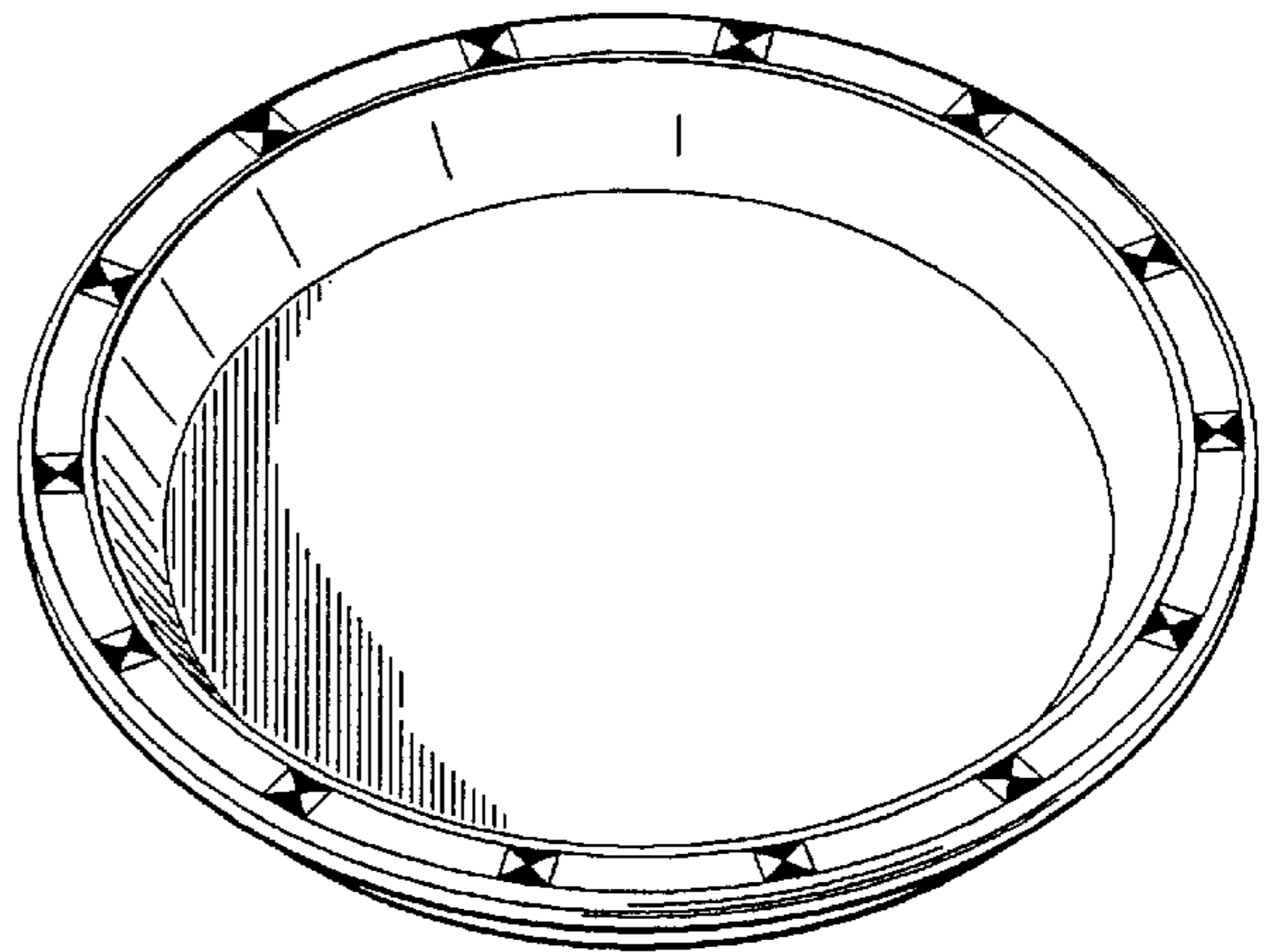


FIG. 1

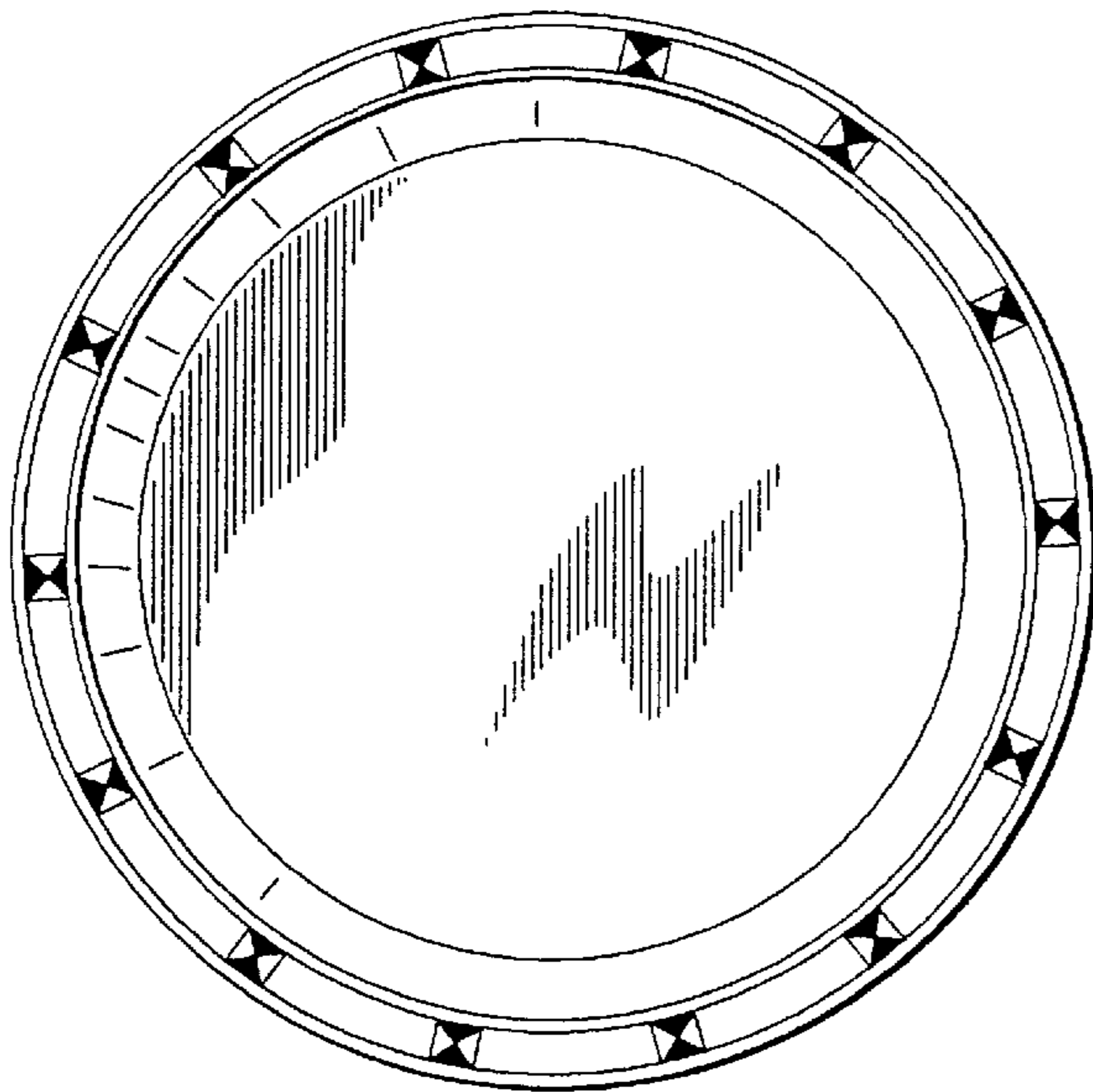


FIG. 2

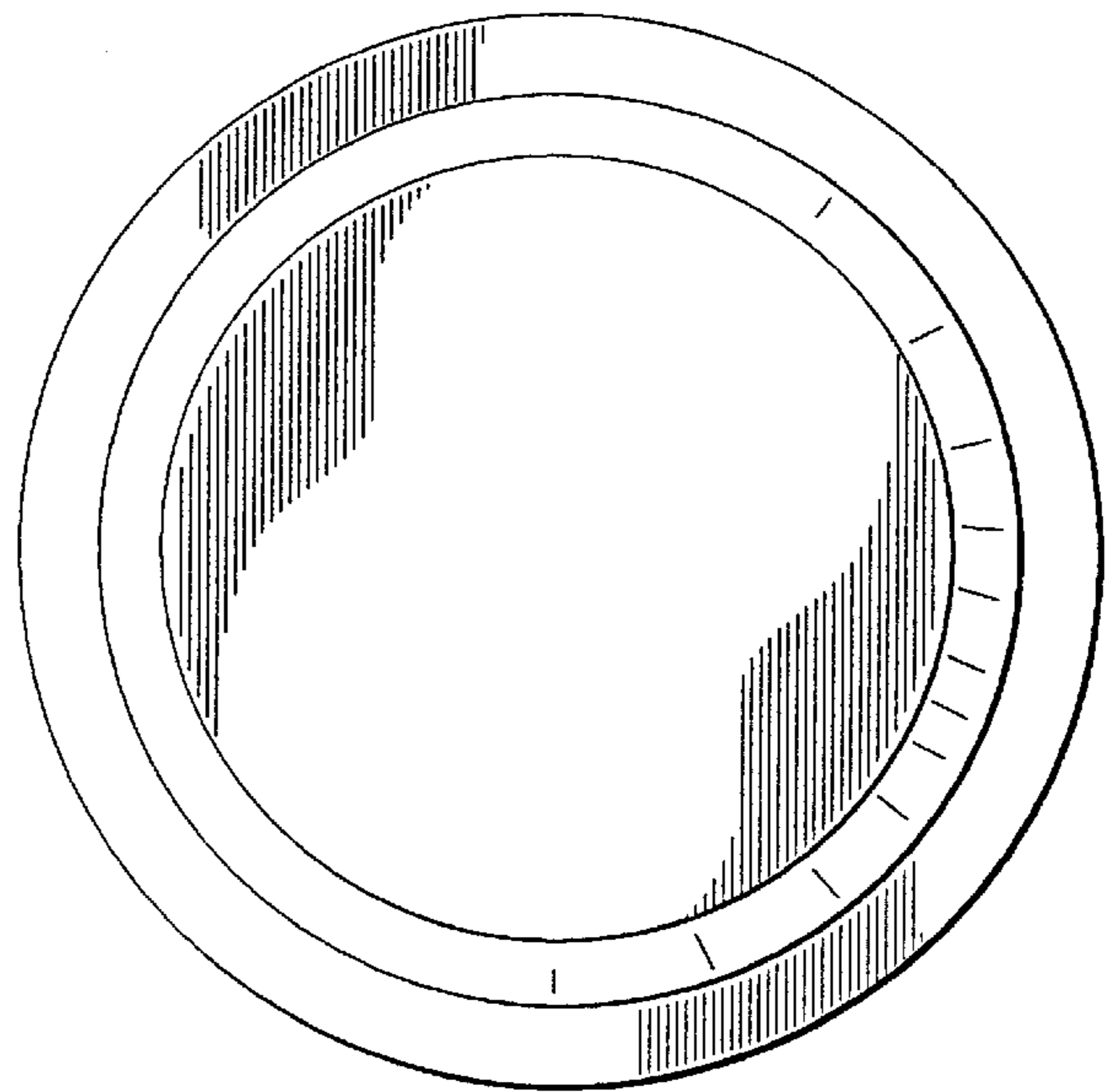


FIG. 3

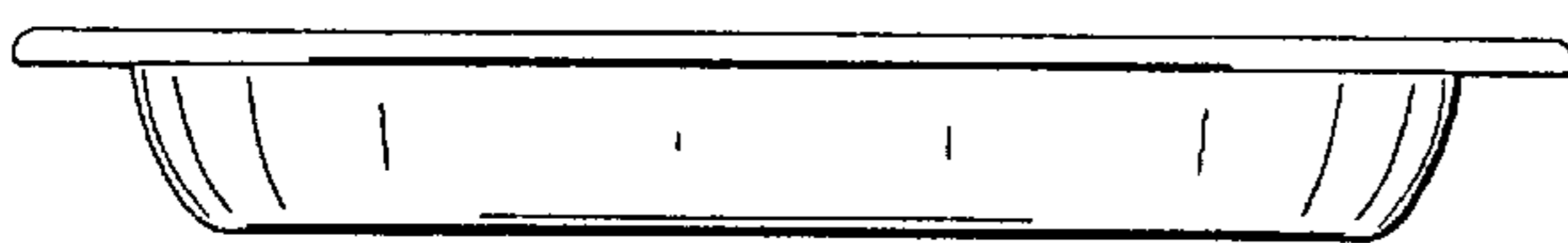


FIG. 4