



US00D404251S

**United States Patent** [19]  
**Souther**

[11] **Patent Number: Des. 404,251**

[45] **Date of Patent: \*\*Jan. 19, 1999**

[54] **TOASTER CRUMB TRAY**

[76] Inventor: **Judy L. Souther**, General Delivery,  
Elmworth Alberta, Canada, T0H 1J0

[\*\*] Term: **14 Years**

[21] Appl. No.: **60,912**

[22] Filed: **Oct. 10, 1996**

[51] **LOC (6) Cl.** ..... **07-02**

[52] **U.S. Cl.** ..... **D7/402**

[58] **Field of Search** ..... D7/402, 411, 390,  
D7/354, 328-330; 99/400, 444, 446, 385

[56] **References Cited**

**U.S. PATENT DOCUMENTS**

D. 292,470	10/1987	Oh	.....	D7/354
D. 341,290	11/1993	Ross et al.	.....	D7/354
D. 365,501	12/1995	Daugherty et al.	.....	D7/602
3,033,188	5/1962	Cline et al.	.....	126/39 B
3,413,912	12/1968	Phelan et al.	.....	99/400
3,972,318	8/1976	Lenoir	.....	99/400
4,598,634	7/1986	Van Horn, II	.....	99/400

4,608,917	9/1986	Faaborg	.....	99/400
4,901,631	2/1990	Russell et al.	.....	99/400
5,400,703	3/1995	Ashcom et al.	.....	99/400
5,542,346	8/1996	Shenk	.....	99/400

*Primary Examiner*—Ruth McInroy

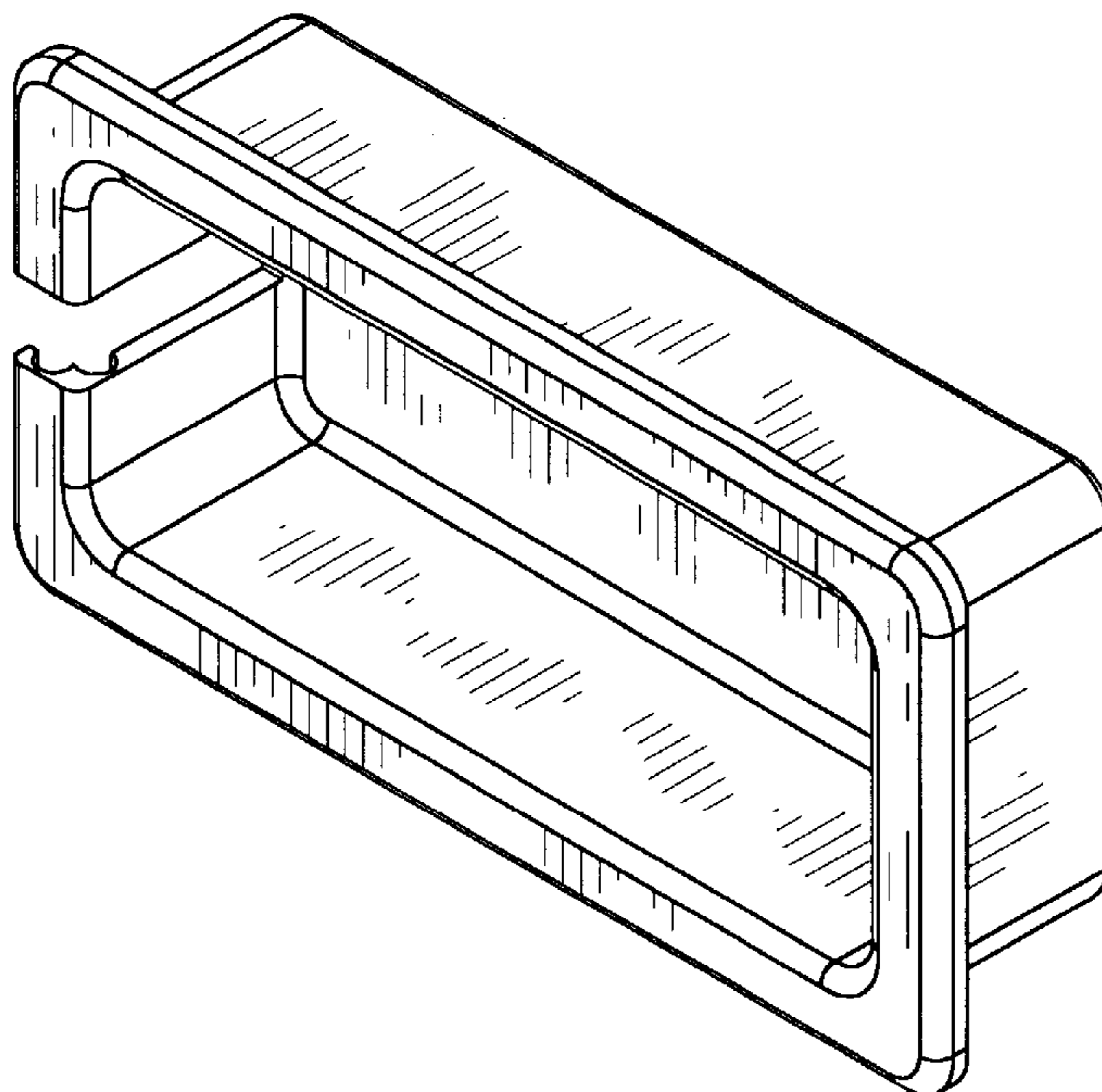
[57] **CLAIM**

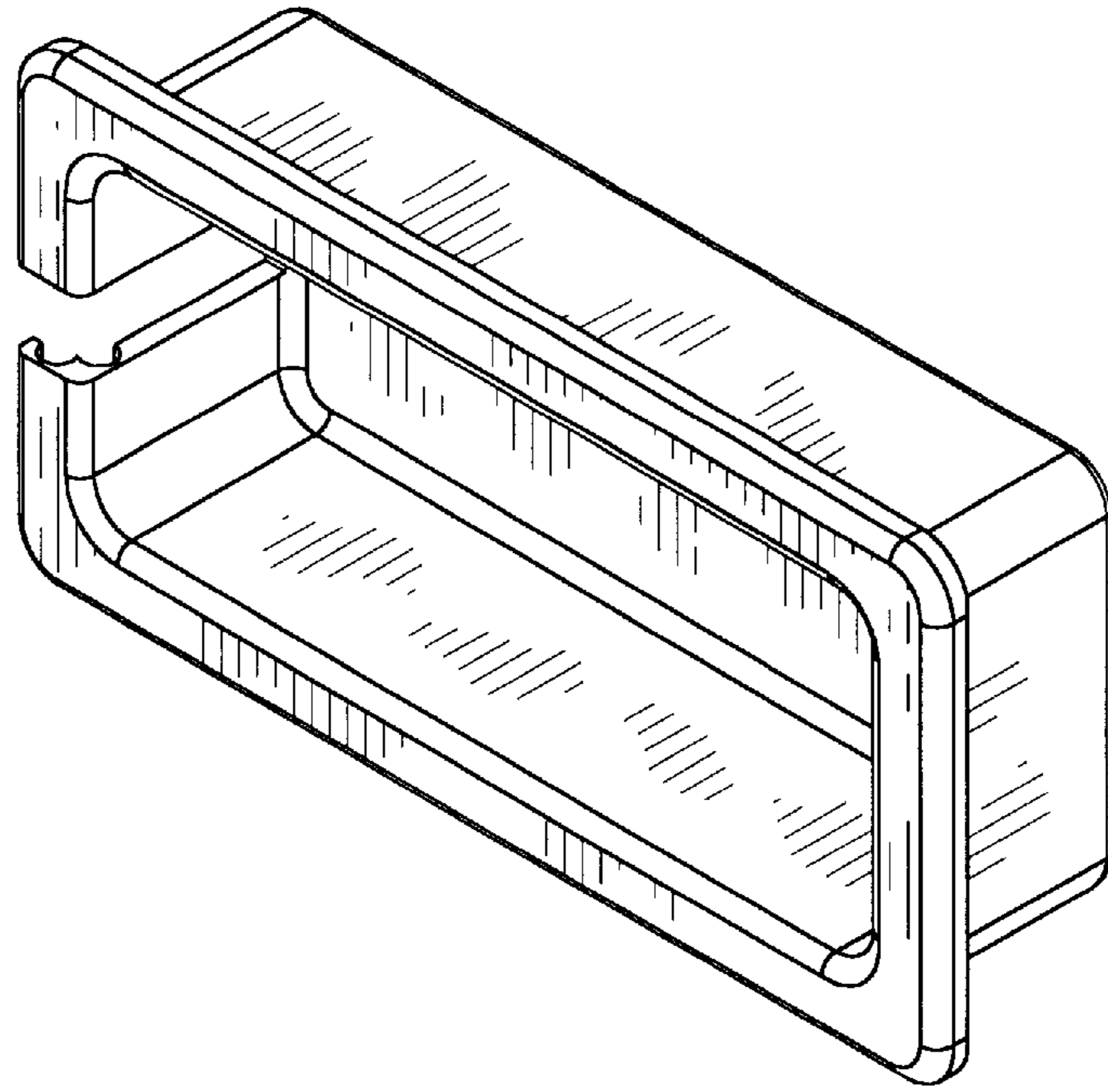
The ornamental design for a toaster crumb tray, as shown and described.

**DESCRIPTION**

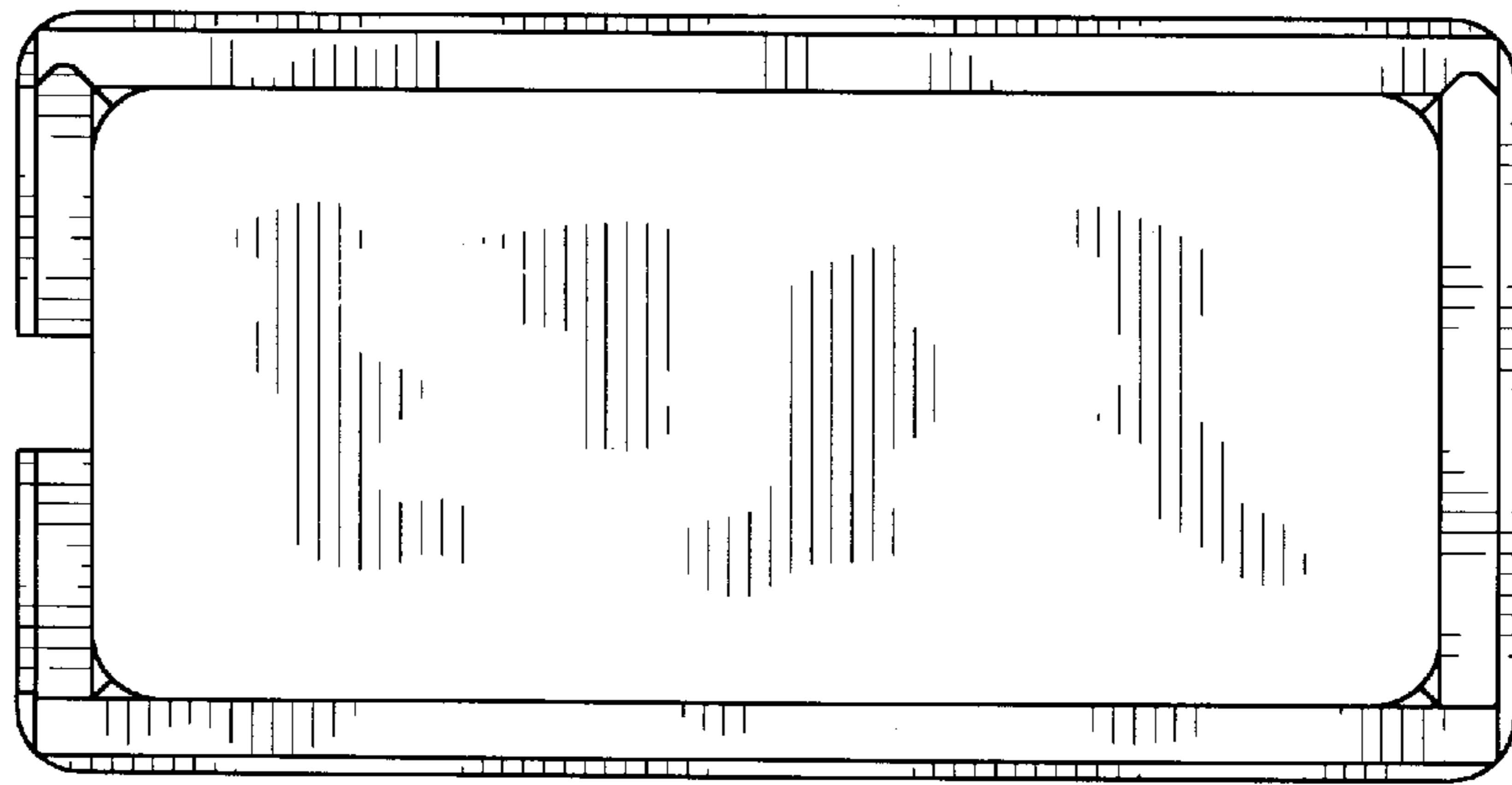
FIG. 1 is a left, rear and top elevated view of the toaster crumb tray showing my new design;  
 FIG. 2 is a top plan view thereof;  
 FIG. 3 is a bottom plan view thereof;  
 FIG. 4 is a cross sectional view taken along line of 4—4 of FIG. 3;  
 FIG. 5 is a left side elevational view thereof;  
 FIG. 6 is a front elevational view thereof;  
 FIG. 7 is a rear elevational view thereof; and,  
 FIG. 8 is a right side view thereof.

**1 Claim, 3 Drawing Sheets**

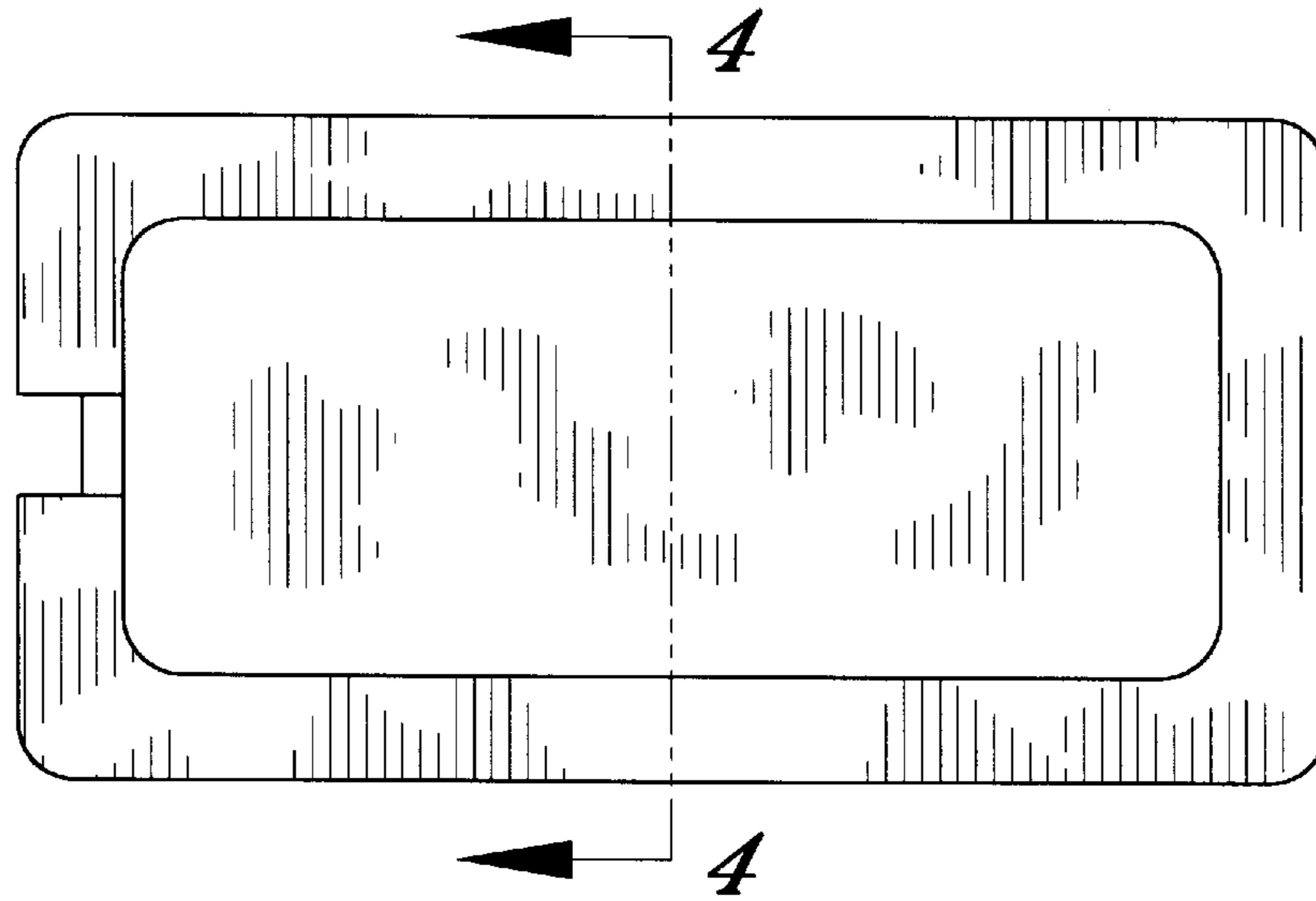




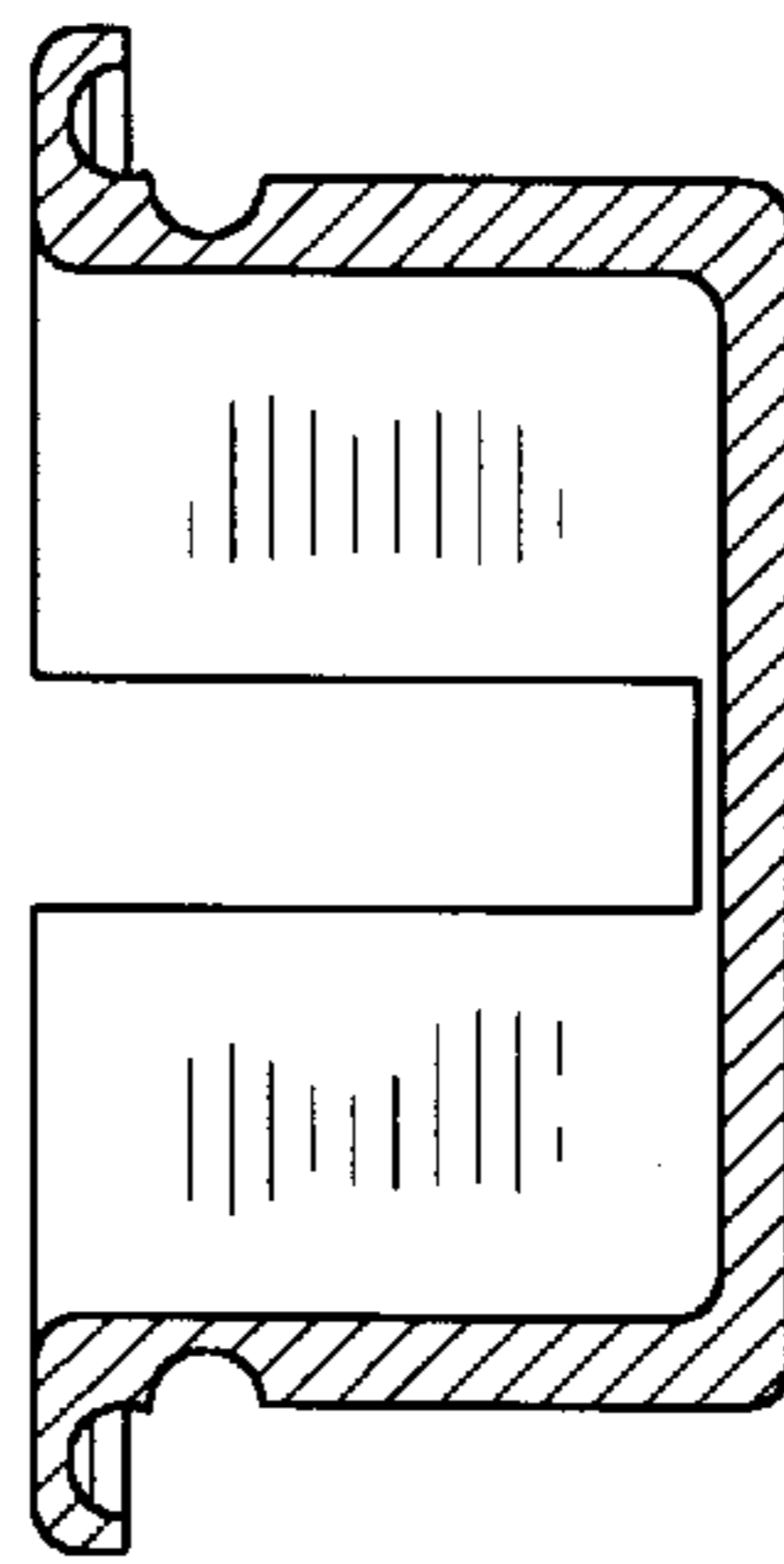
*Fig. 1*



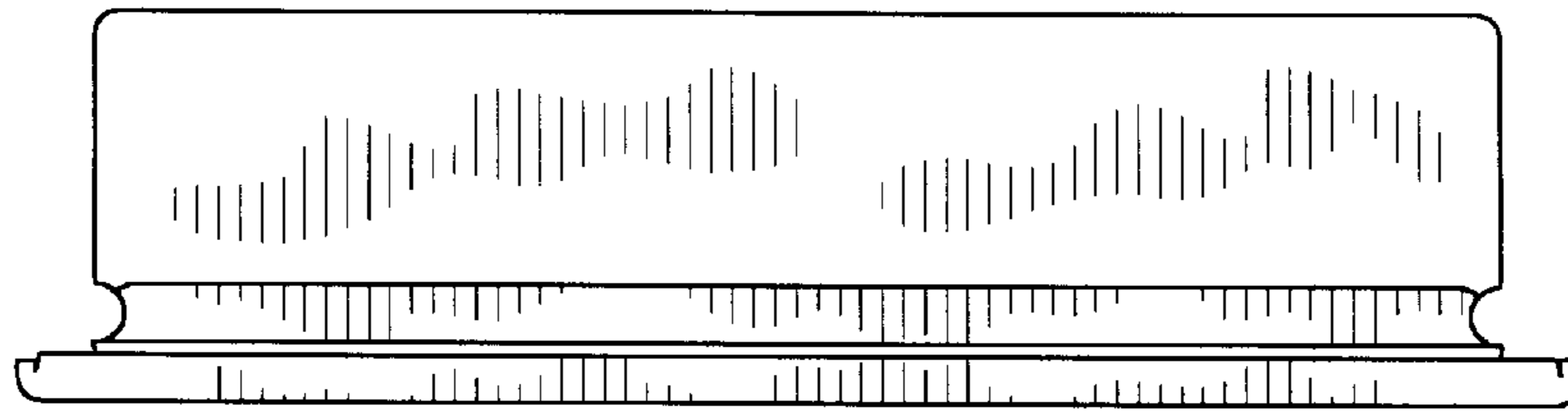
*Fig. 2*



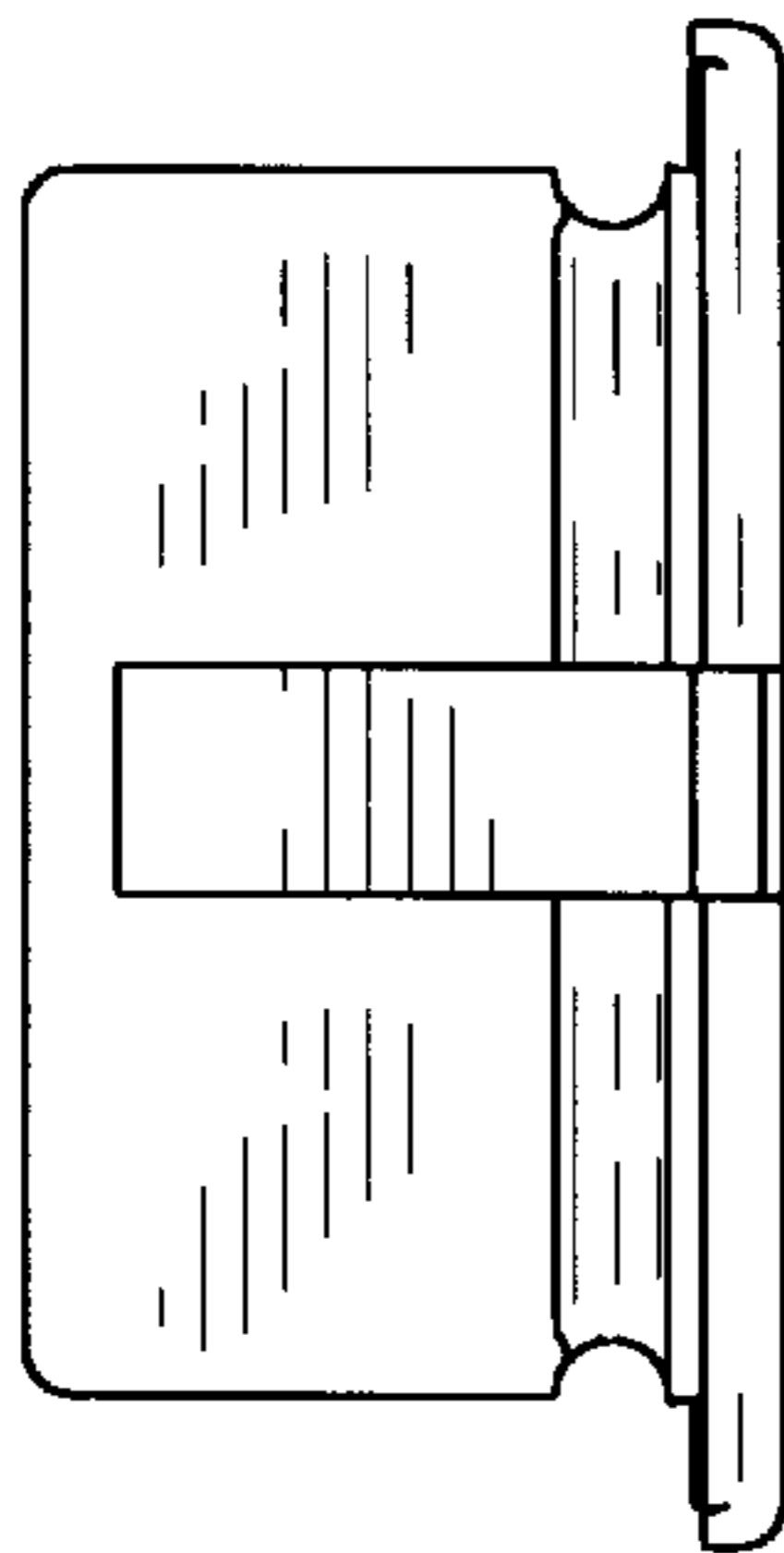
*Fig. 3*



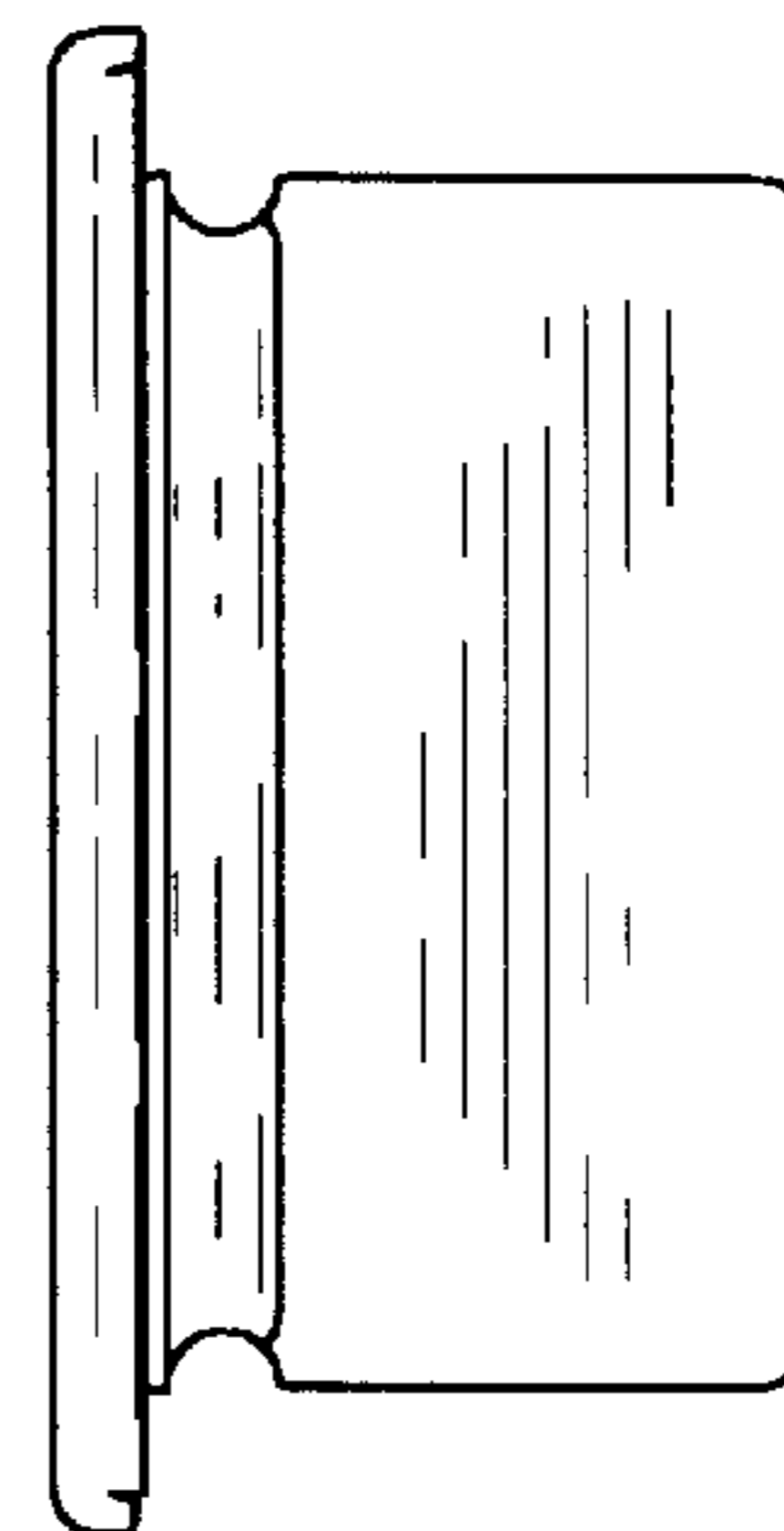
*Fig. 4*



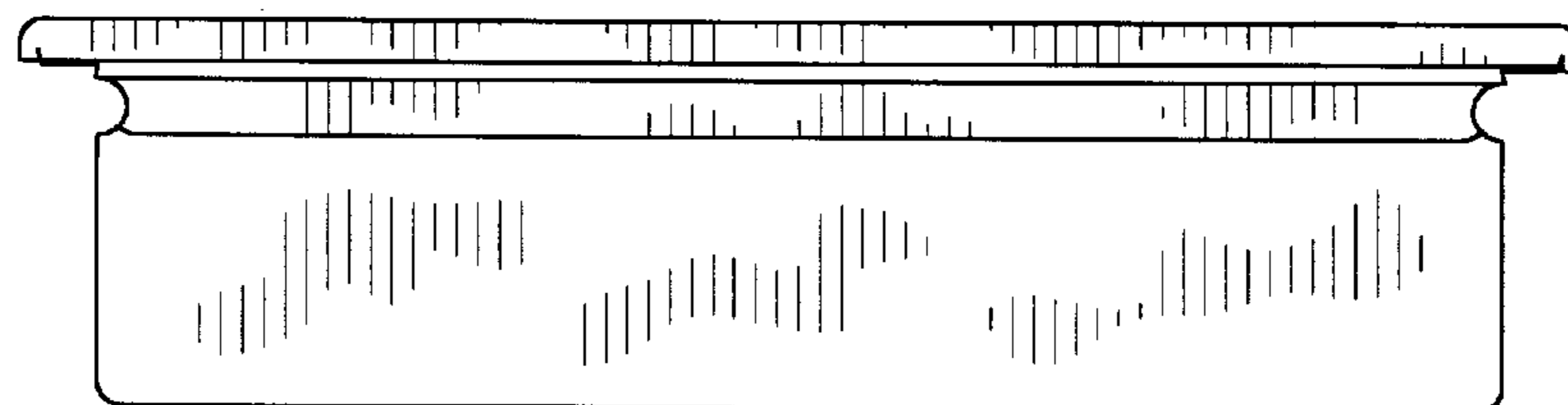
*Fig. 5*



*Fig. 6*



*Fig. 7*



*Fig. 8*