



US00D404249S

United States Patent [19]
Lee

[11] **Patent Number: Des. 404,249**

[45] **Date of Patent: **Jan. 19, 1999**

[54] **FOOD PROCESSOR**

D. 350,451 9/1994 Dickson D7/384

[76] Inventor: **Ming-Tsung Lee**, P.O. Box 90, Tainan City, Taiwan

Primary Examiner—Caron D. Veynar

[**] Term: **14 Years**

[57] **CLAIM**

The ornamental design for a food processor, as shown and described.

[21] Appl. No.: **84,055**

[22] Filed: **Feb. 24, 1998**

DESCRIPTION

[51] **LOC (6) Cl.** **31-00**

FIG. 1 is a perspective view of food processor showing my design;

[52] **U.S. Cl.** **D7/384**

FIG. 2 is a front elevational view thereof;

[58] **Field of Search** D7/376-386, 412; 241/37.5, 92.93, 101.1, 199.12, 282.1, 282.2

FIG. 3 is a rear elevational view thereof;

FIG. 4 is a left side elevational view thereof;

FIG. 5 is a right side elevational view thereof;

FIG. 6 is a top plan view thereof; and,

FIG. 7 is a bottom plan view thereof.

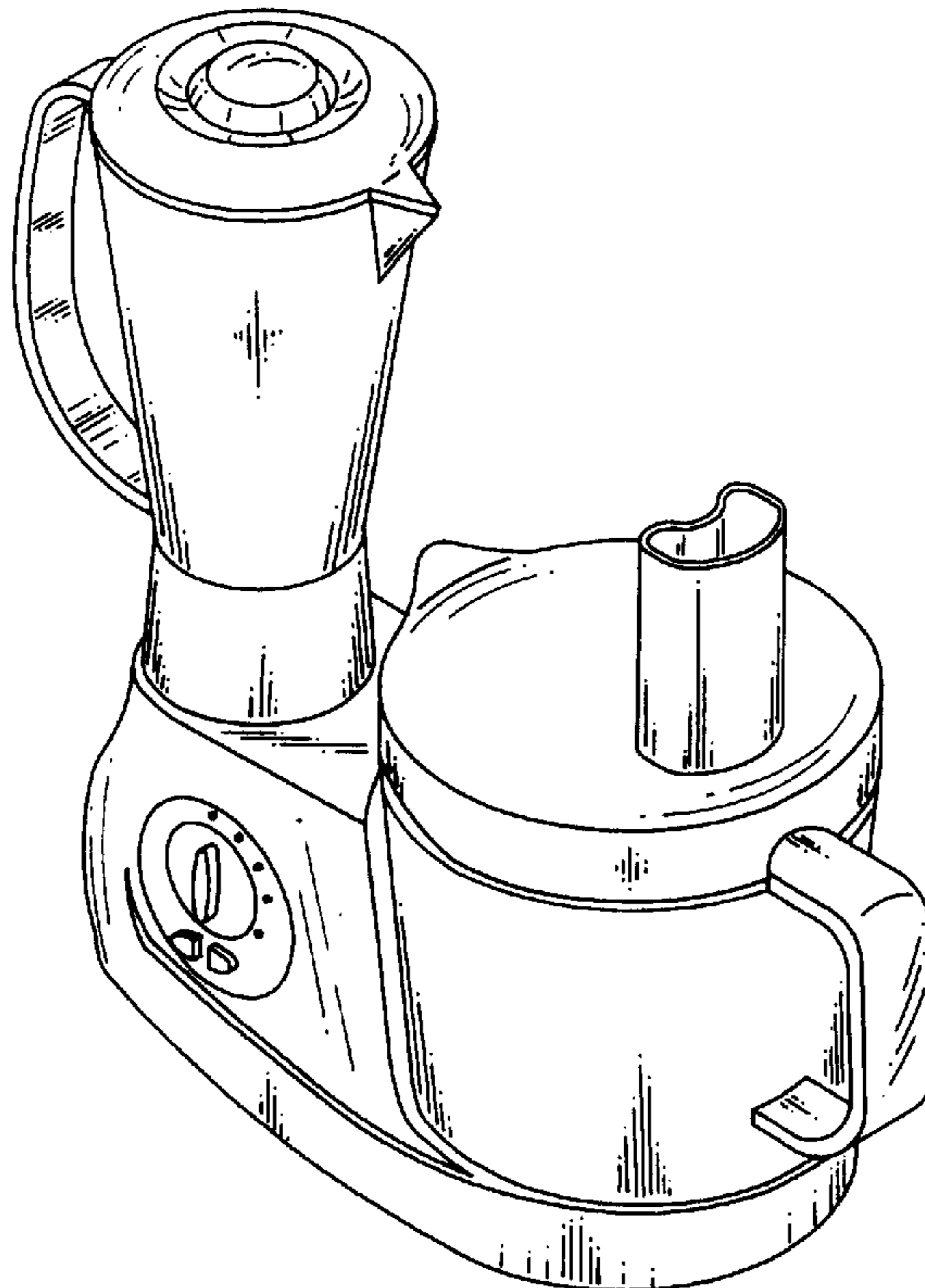
[56] **References Cited**

U.S. PATENT DOCUMENTS

D. 297,901 10/1988 Barrault D7/384

D. 330,145 10/1992 Maass D7/384

1 Claim, 4 Drawing Sheets



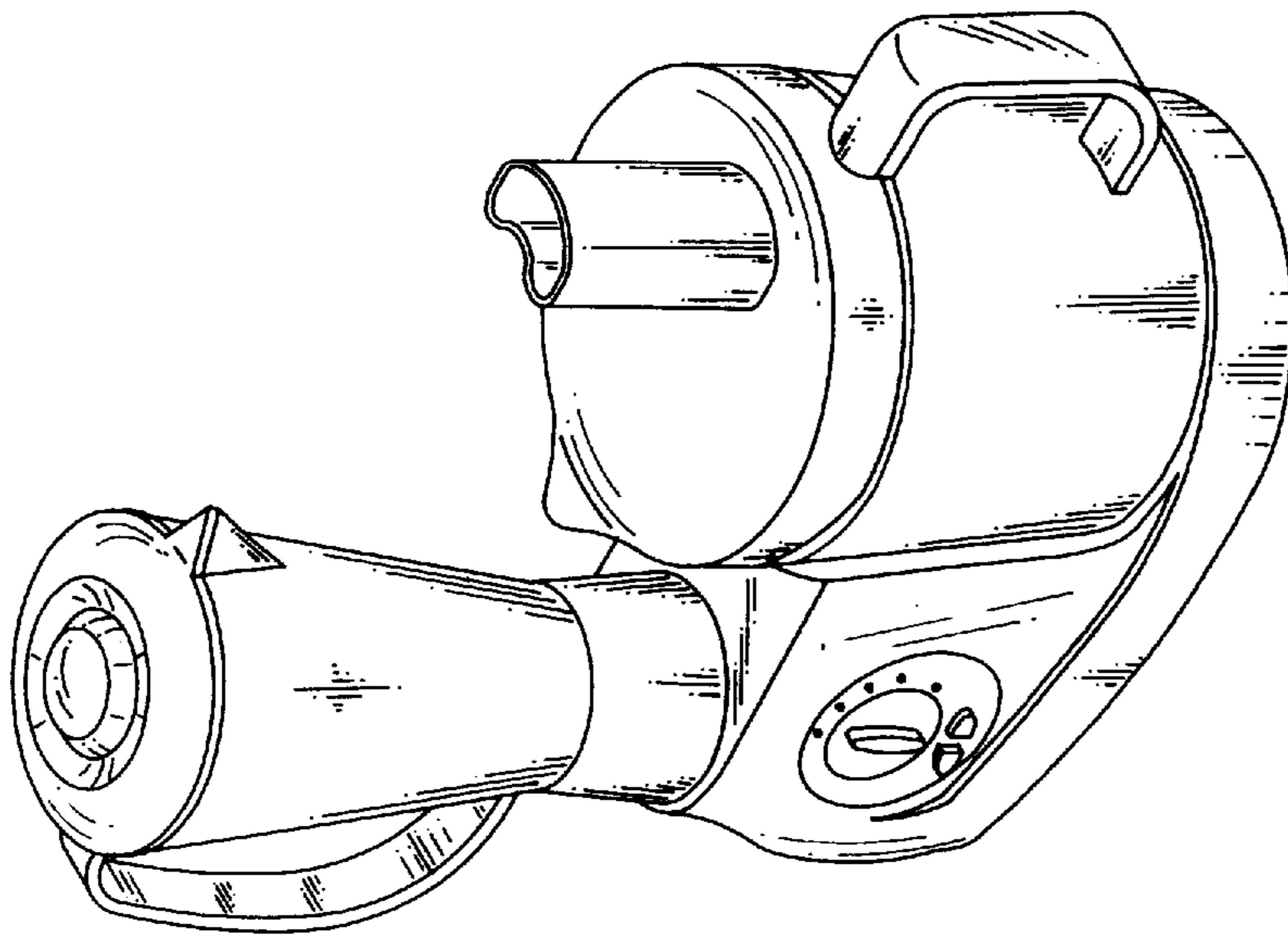


FIG. 1

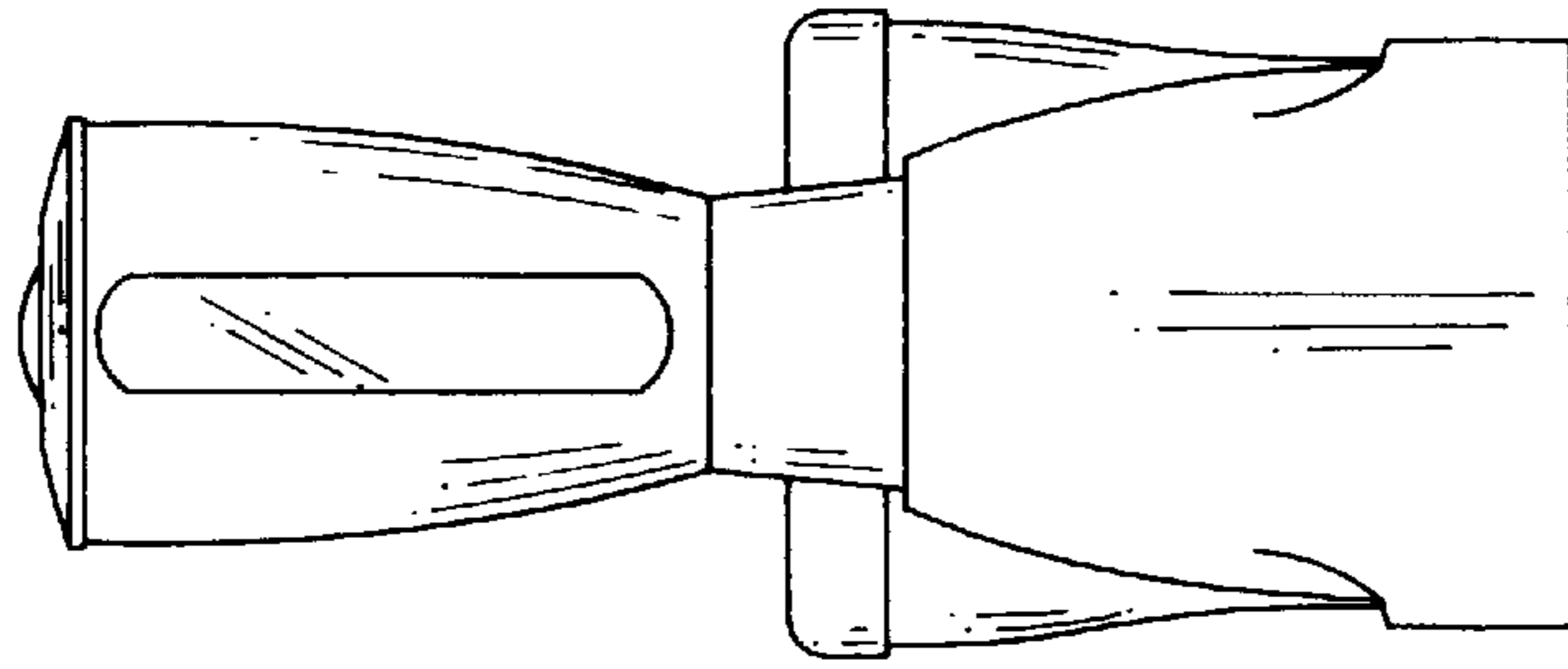


FIG. 3

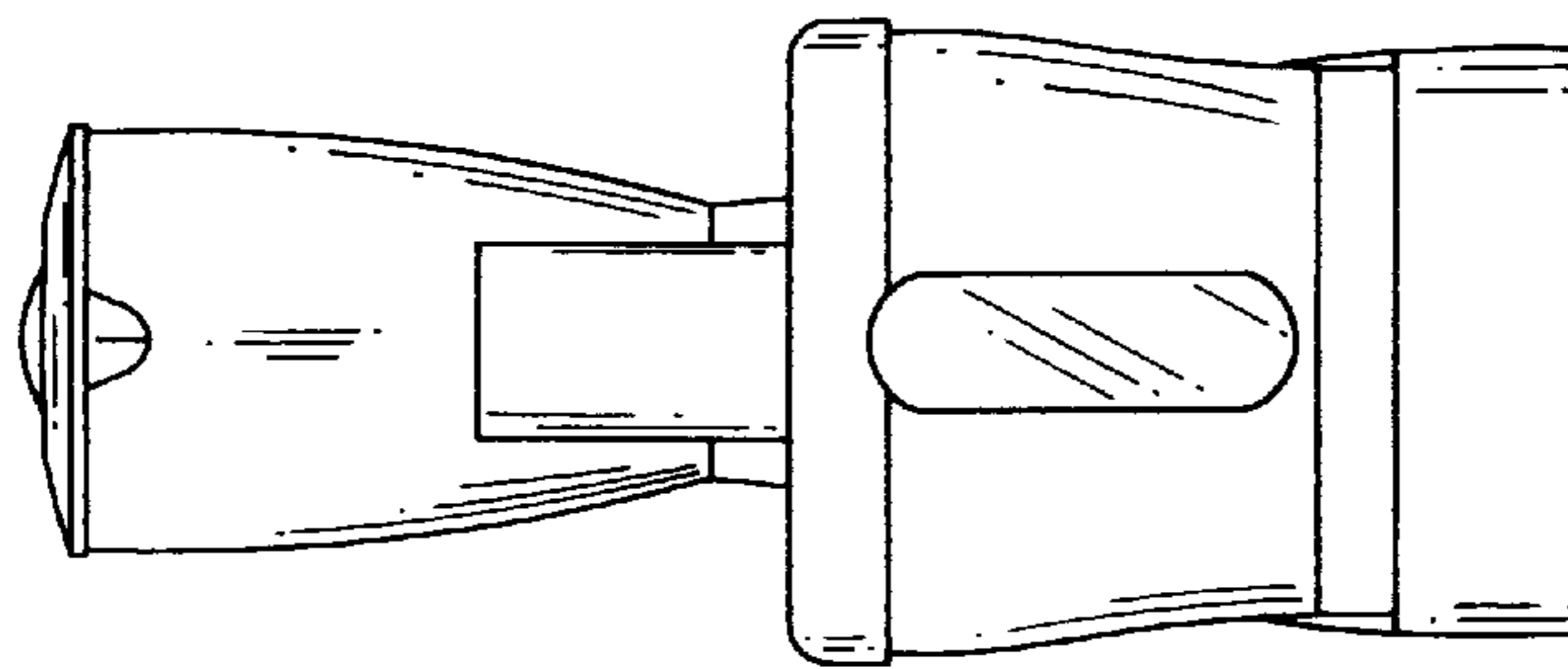


FIG. 2

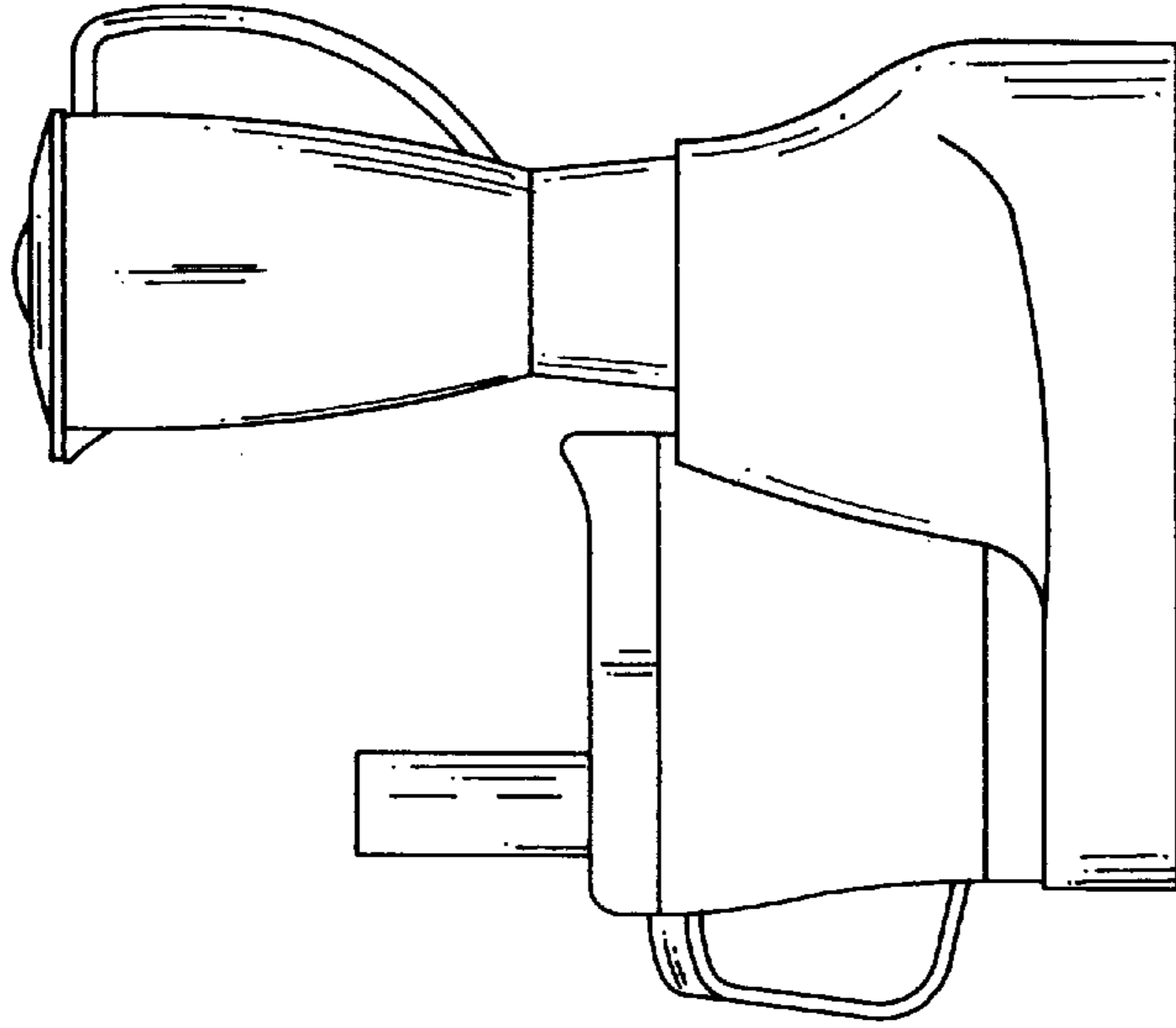


FIG. 5

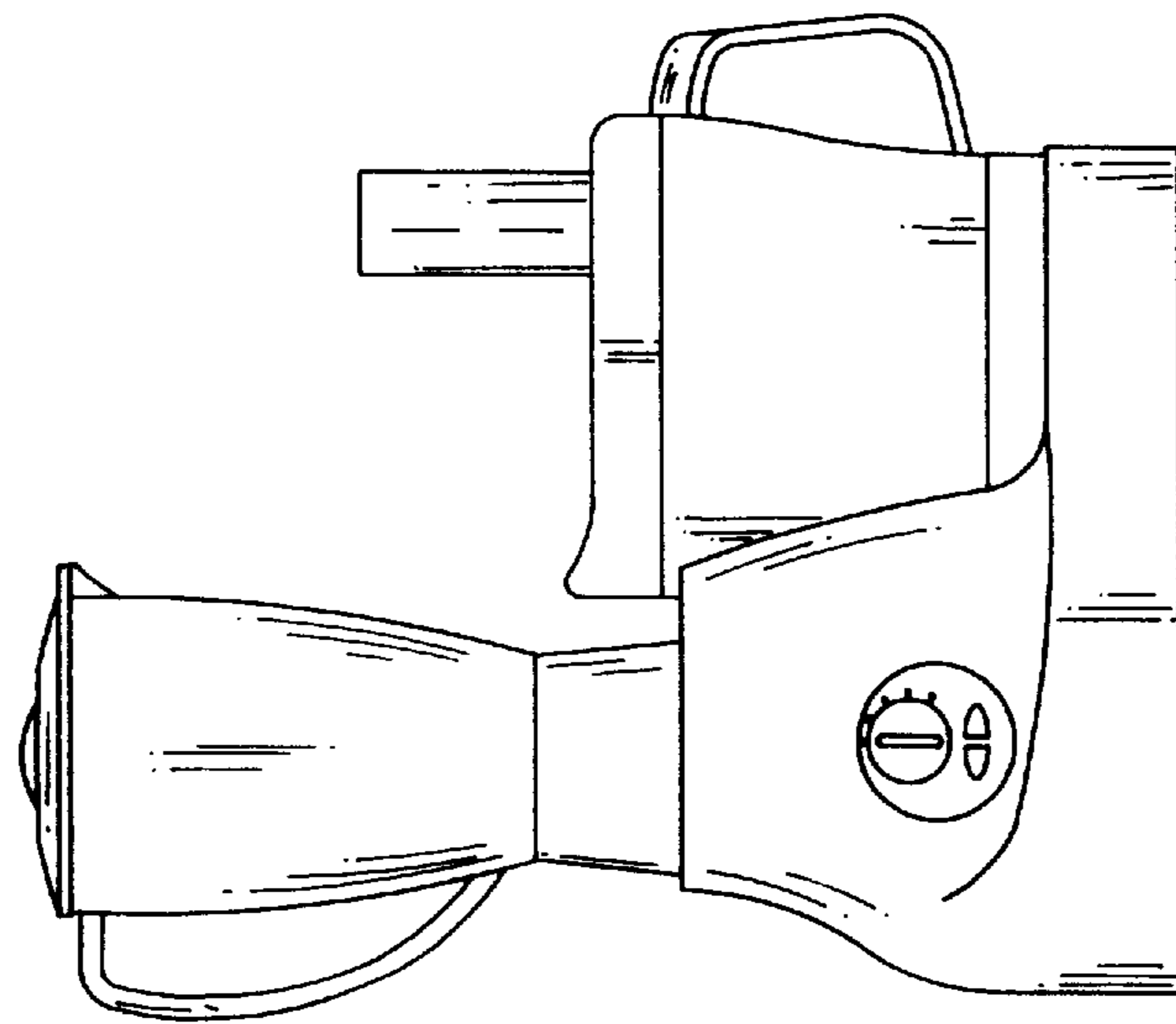


FIG. 4

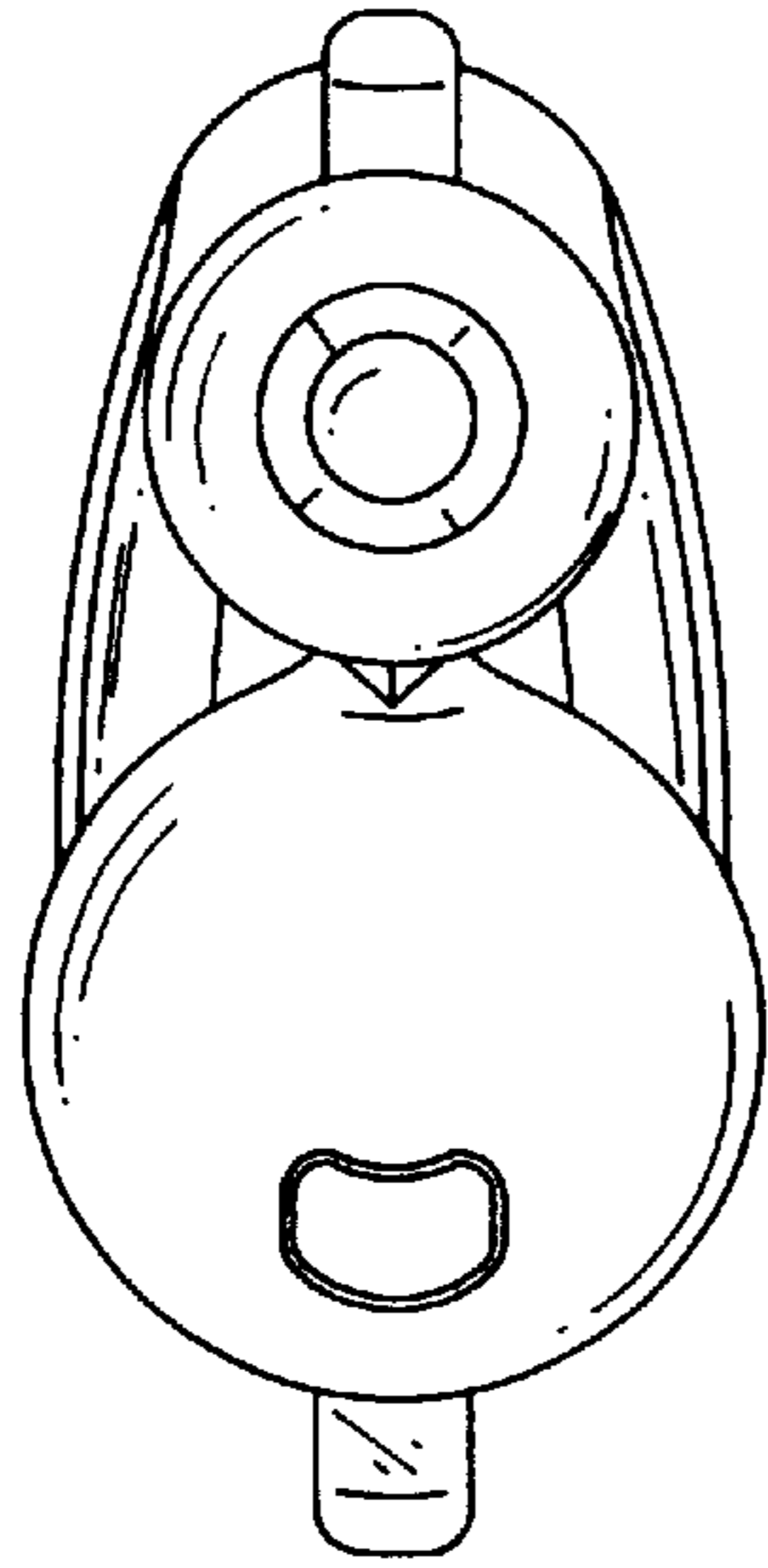


FIG. 6

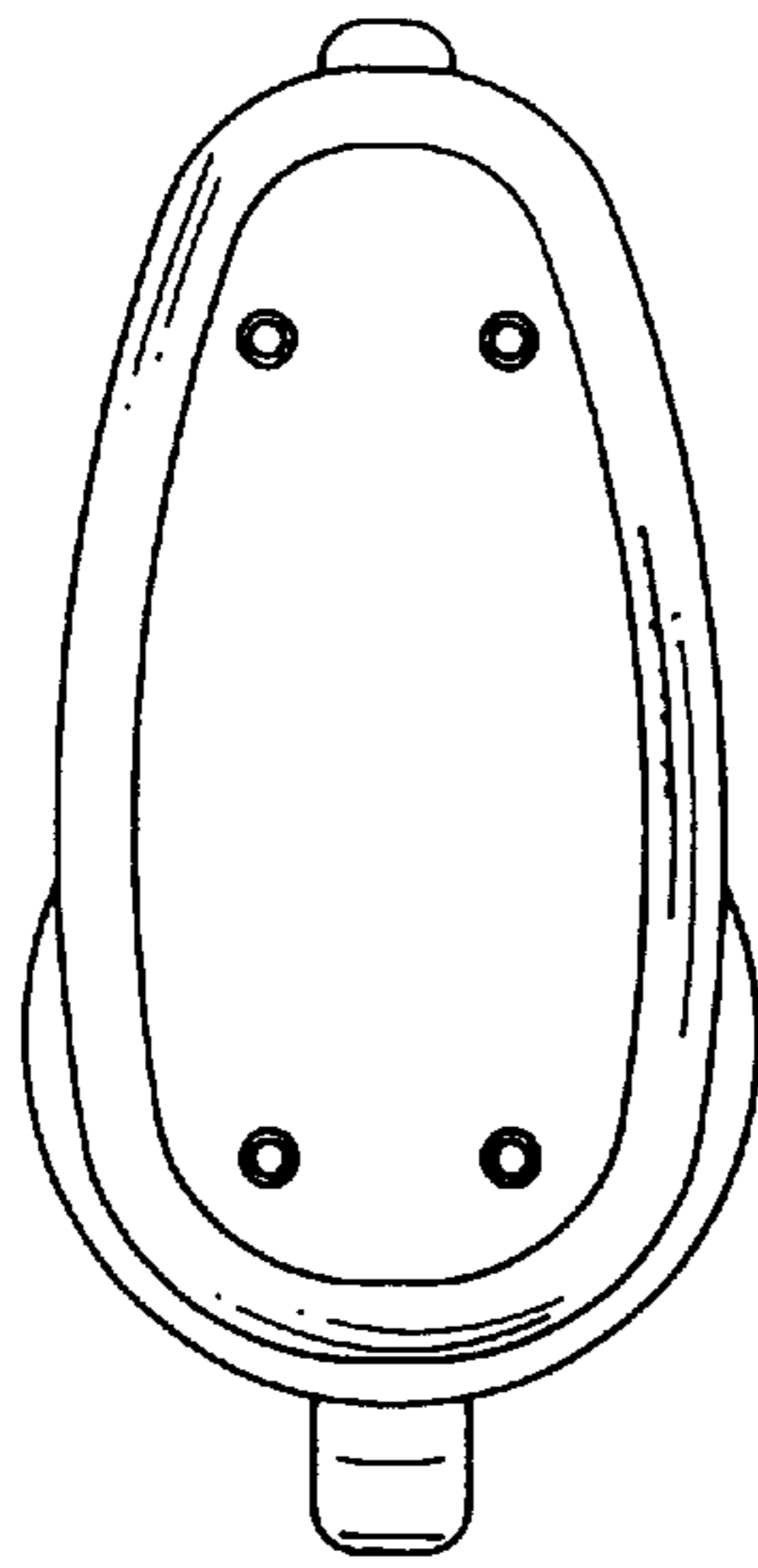


FIG. 7