



US00D404243S

United States Patent [19]
Saltet

[11] **Patent Number: Des. 404,243**

[45] **Date of Patent: **Jan. 19, 1999**

[54] **ELECTRICAL TOASTER**

D. 386,935 12/1997 Pena Angarita D7/330

[75] Inventor: **Philippe Saltet**, Chateaufort, France

Primary Examiner—Caron D. Veynar
Attorney, Agent, or Firm—Darby & Darby

[73] Assignee: **Robert Krups GmbH & Co. KG**,
Solingen, Germany

[**] Term: **14 Years**

[57] **CLAIM**

The ornamental design for an electrical toaster, as shown.

[21] Appl. No.: **79,595**

DESCRIPTION

[22] Filed: **Nov. 5, 1997**

FIG. 1 is a front-left-top perspective view of my new design for an electrical toaster;

[30] **Foreign Application Priority Data**

May 5, 1997 [FR] France 97 2694

FIG. 2 is a front elevation view thereof;

[51] **LOC (6) Cl.** **07-02**

FIG. 3 is a right side elevation view thereof;

[52] **U.S. Cl.** **D7/330**

FIG. 4 is a rear elevation view thereof;

[58] **Field of Search** D7/323, 328-330,
D7/390; 99/372, 385, 389

FIG. 5 is a left side elevation view thereof;

FIG. 6 is a top plan view thereof; and,

FIG. 7 is a bottom plan view thereof.

[56] **References Cited**

U.S. PATENT DOCUMENTS

D. 189,440 12/1960 Knapp D7/330

1 Claim, 4 Drawing Sheets

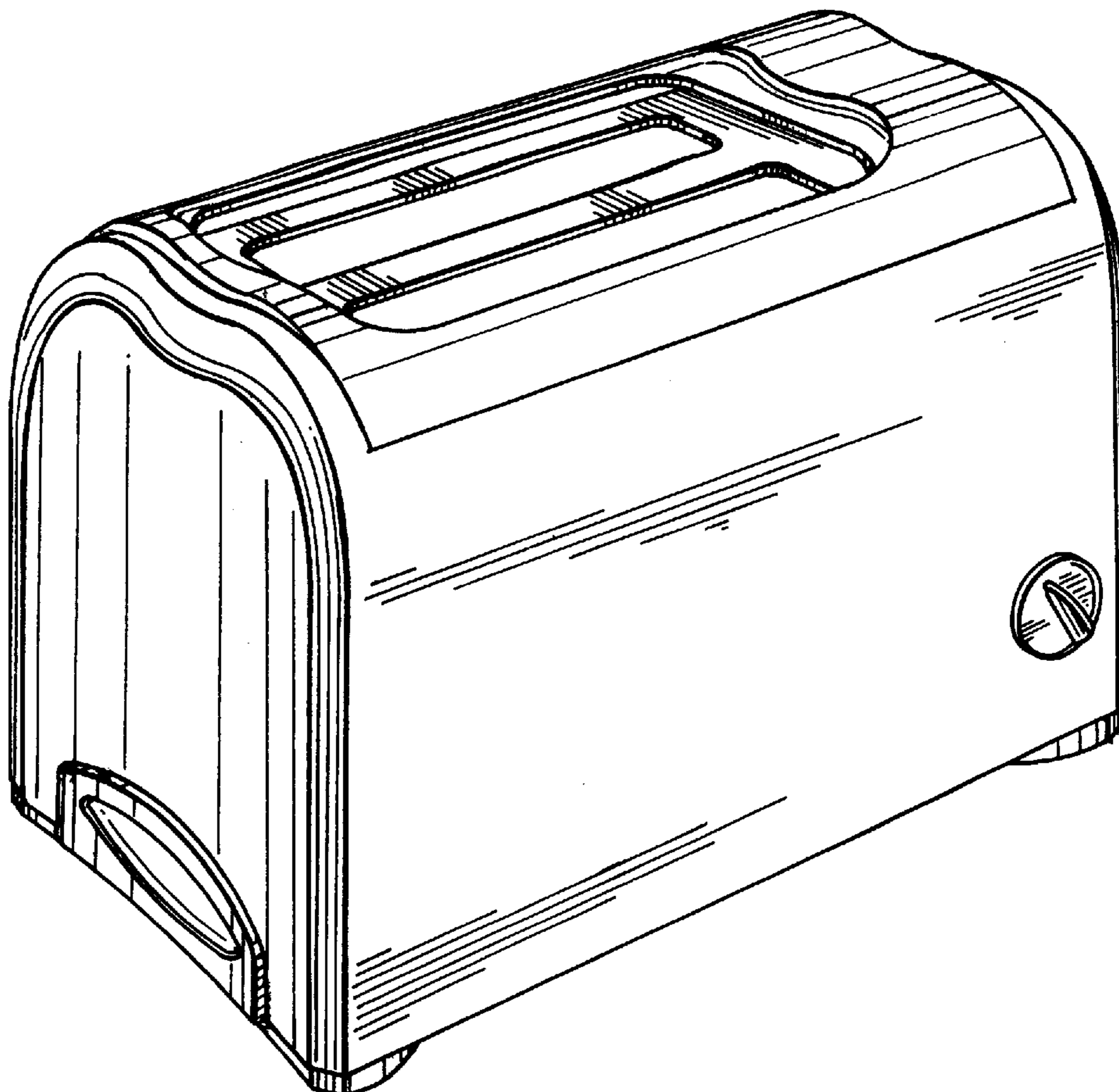


FIG. 1

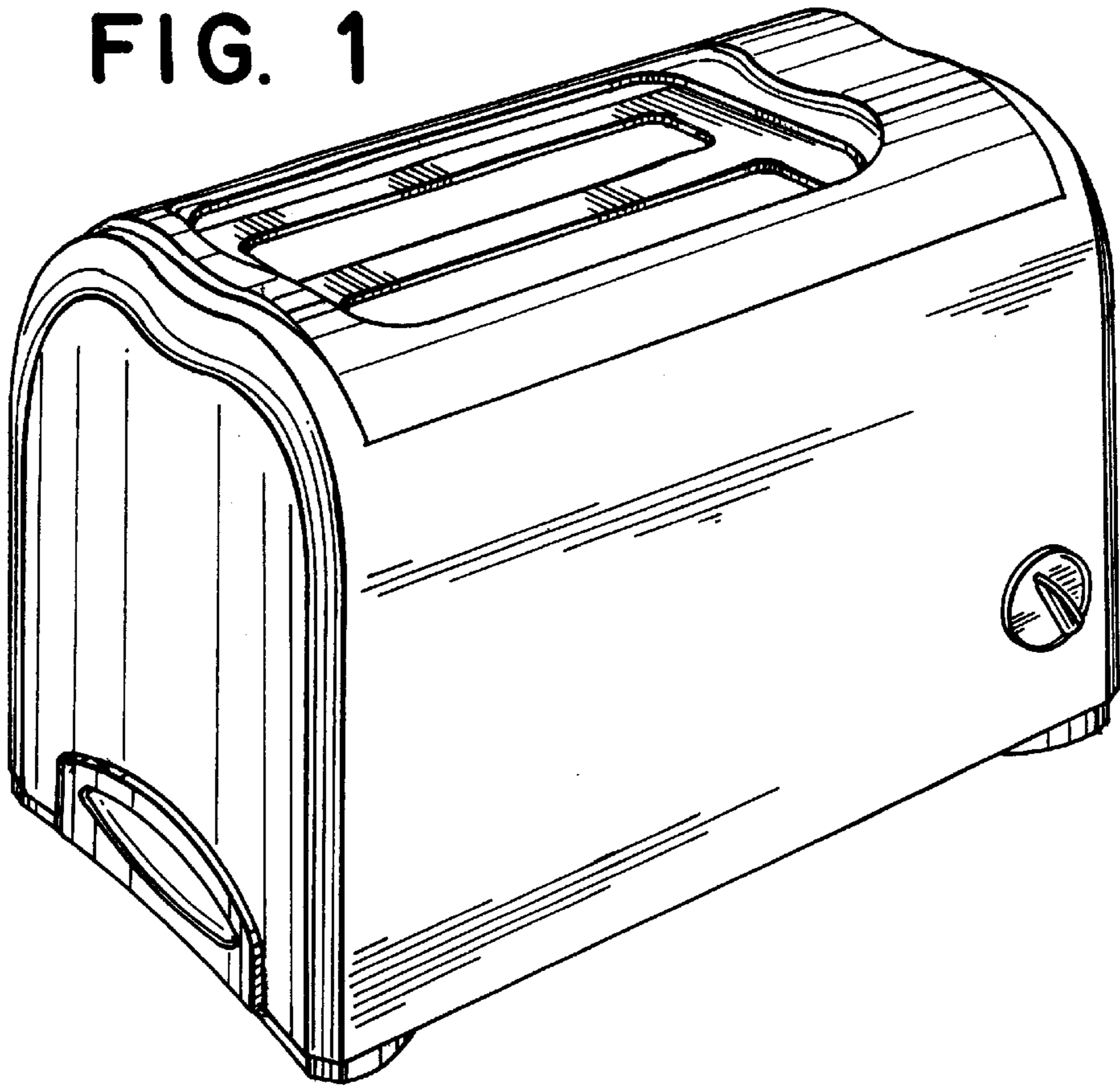
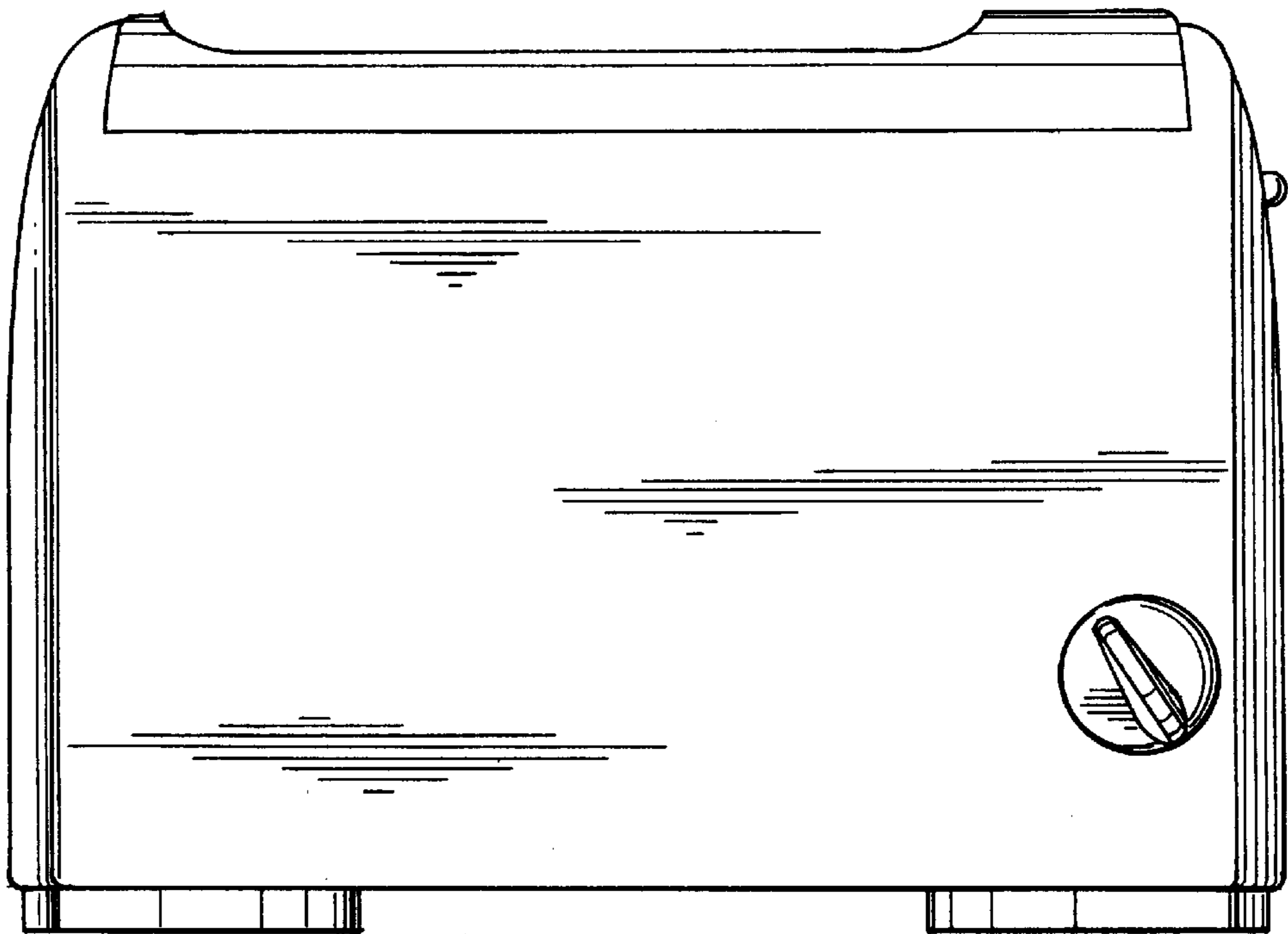


FIG. 2



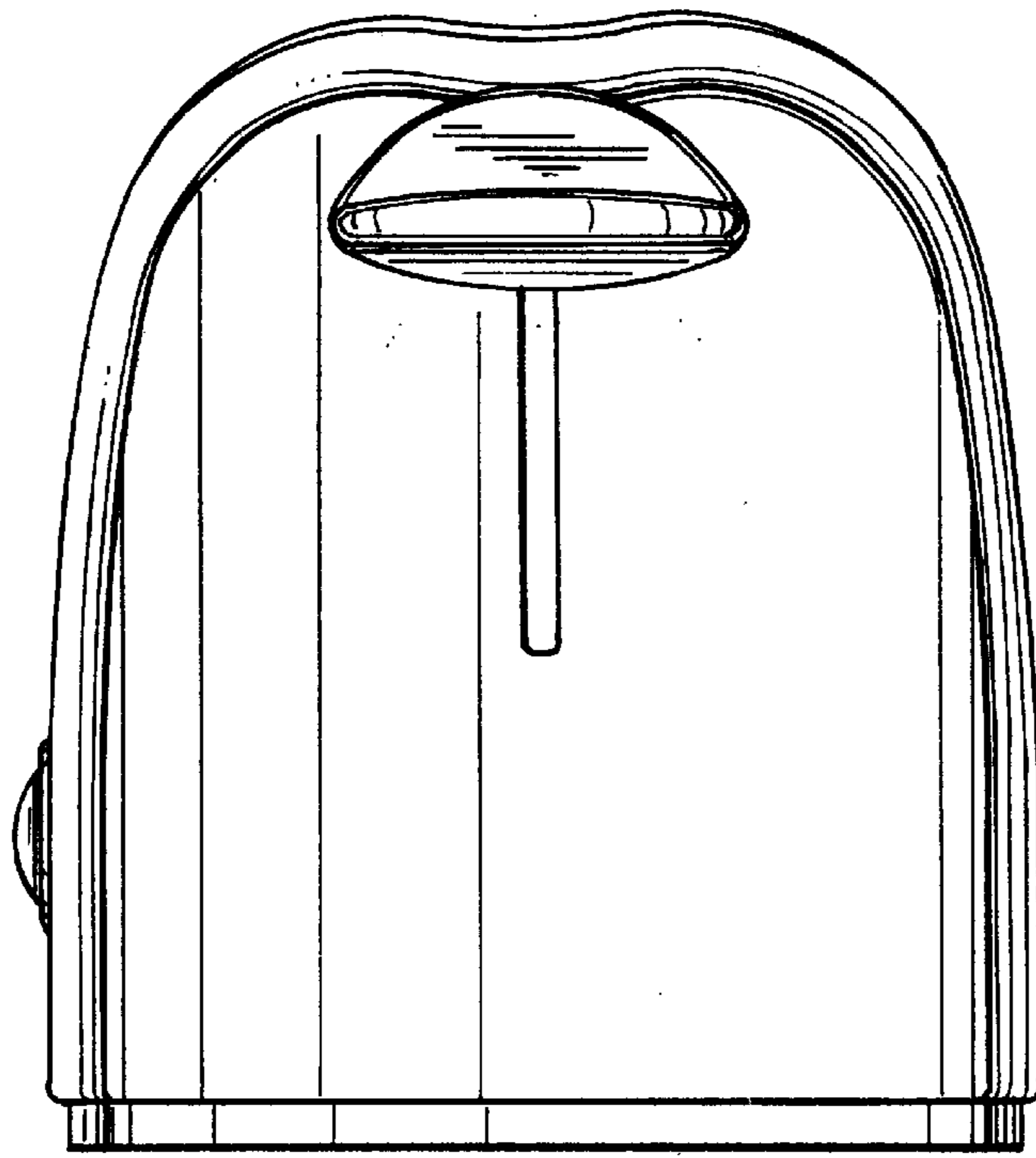


FIG. 3

FIG. 4



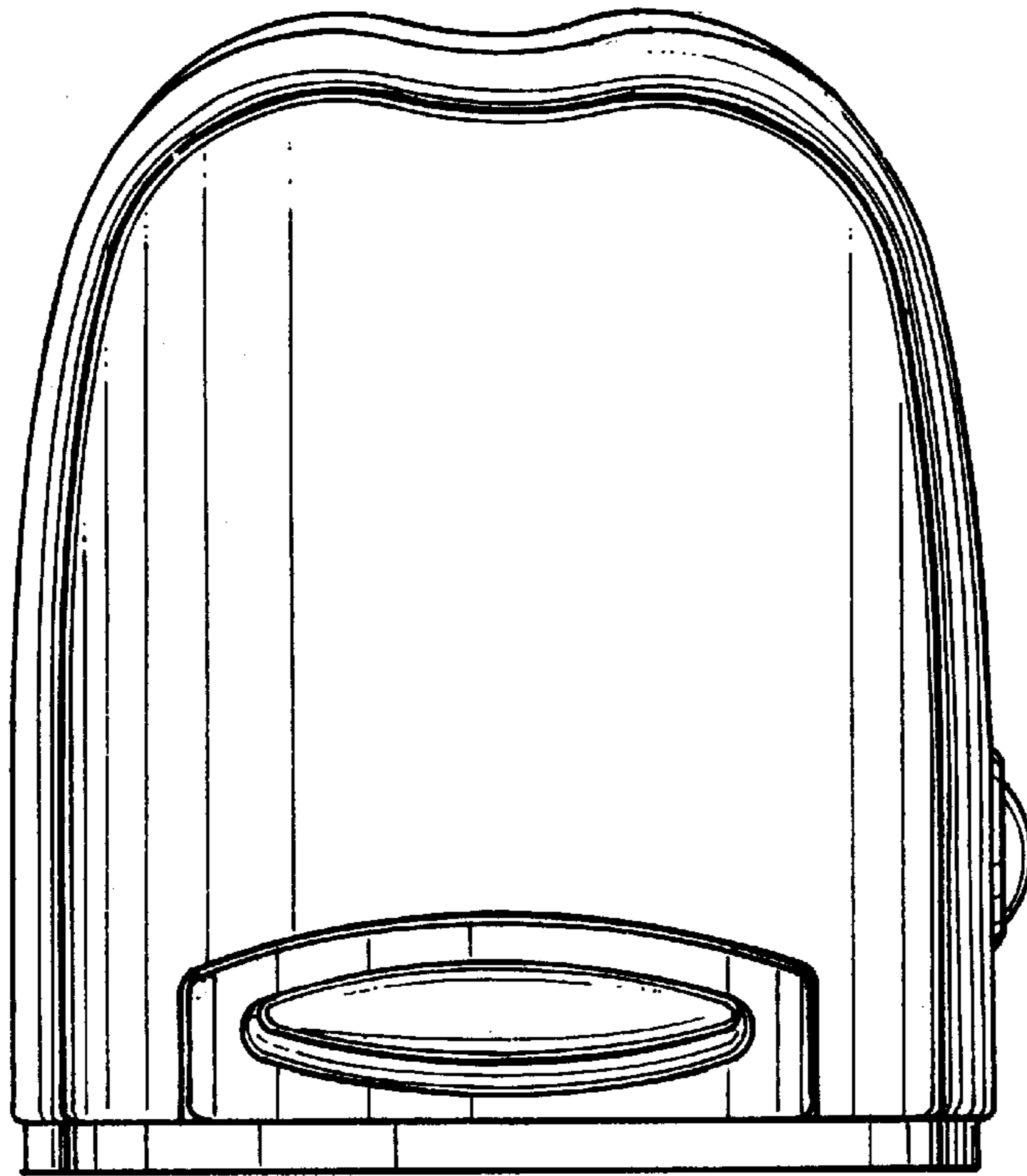


FIG. 5

FIG. 6

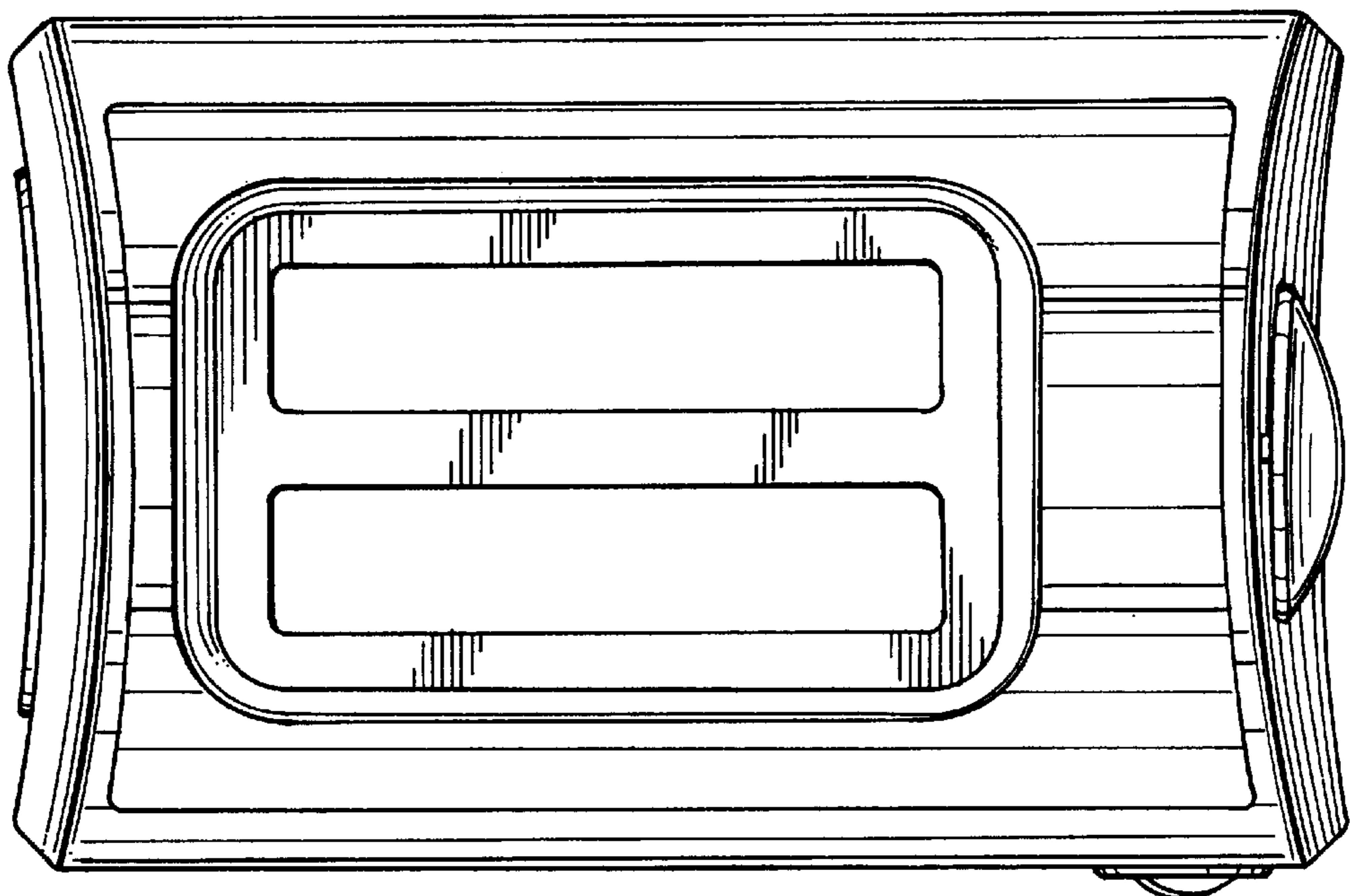


FIG. 7

