



US00D404241S

United States Patent [19] Bagley

[11] **Patent Number: Des. 404,241**

[45] **Date of Patent: **Jan. 19, 1999**

[54] **SELF CONTAINED TEA CUP**

[76] Inventor: **Jeannette T. Bagley**, 611 Lansing Blvd.
Apt. C, Idlewild, Mich. 49642

[**] Term: **14 Years**

[21] Appl. No.: **82,386**

[22] Filed: **Nov. 14, 1997**

[51] **LOC (6) Cl. 07-01**

[52] **U.S. Cl. D7/513; D7/536**

[58] **Field of Search D7/513, 536, 533,
D7/622, 509; 220/671, 672, 705, 709, 703**

[56] **References Cited**

U.S. PATENT DOCUMENTS

D. 46,645	11/1914	Traylor	D7/513 X
D. 235,182	5/1975	Capron	D7/513
D. 277,354	1/1985	Levine	D7/513
D. 282,615	2/1986	Levine .	
D. 283,385	4/1986	Mansueto	D7/513
D. 283,386	4/1986	Mansueto	D7/513
D. 283,476	4/1986	Mansueto	D7/513
D. 295,009	4/1988	Mansueto	D7/513
D. 295,010	4/1988	Mansueto	D7/513

D. 373,707	9/1996	Seaburg	D7/513
D. 389,700	1/1998	Ringham	D7/509
3,403,618	10/1968	Lagg .	
3,754,502	8/1973	Kaufman .	
4,495,404	1/1985	Carmichael .	
5,027,980	7/1991	Bell .	
5,086,926	2/1992	Paige et al. .	

Primary Examiner—M. N. Pandozzi
Attorney, Agent, or Firm—Dykema Gossett PLLC

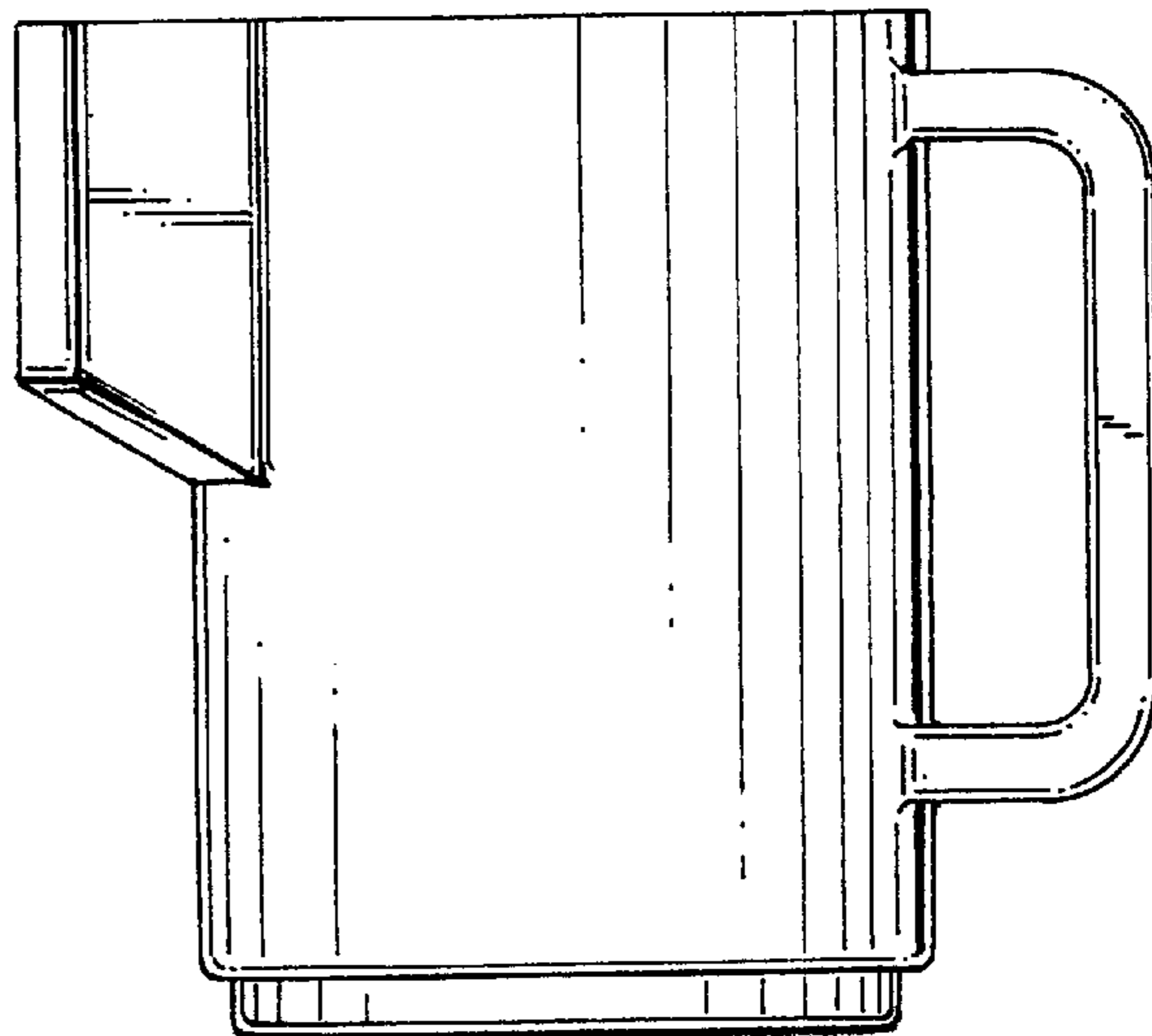
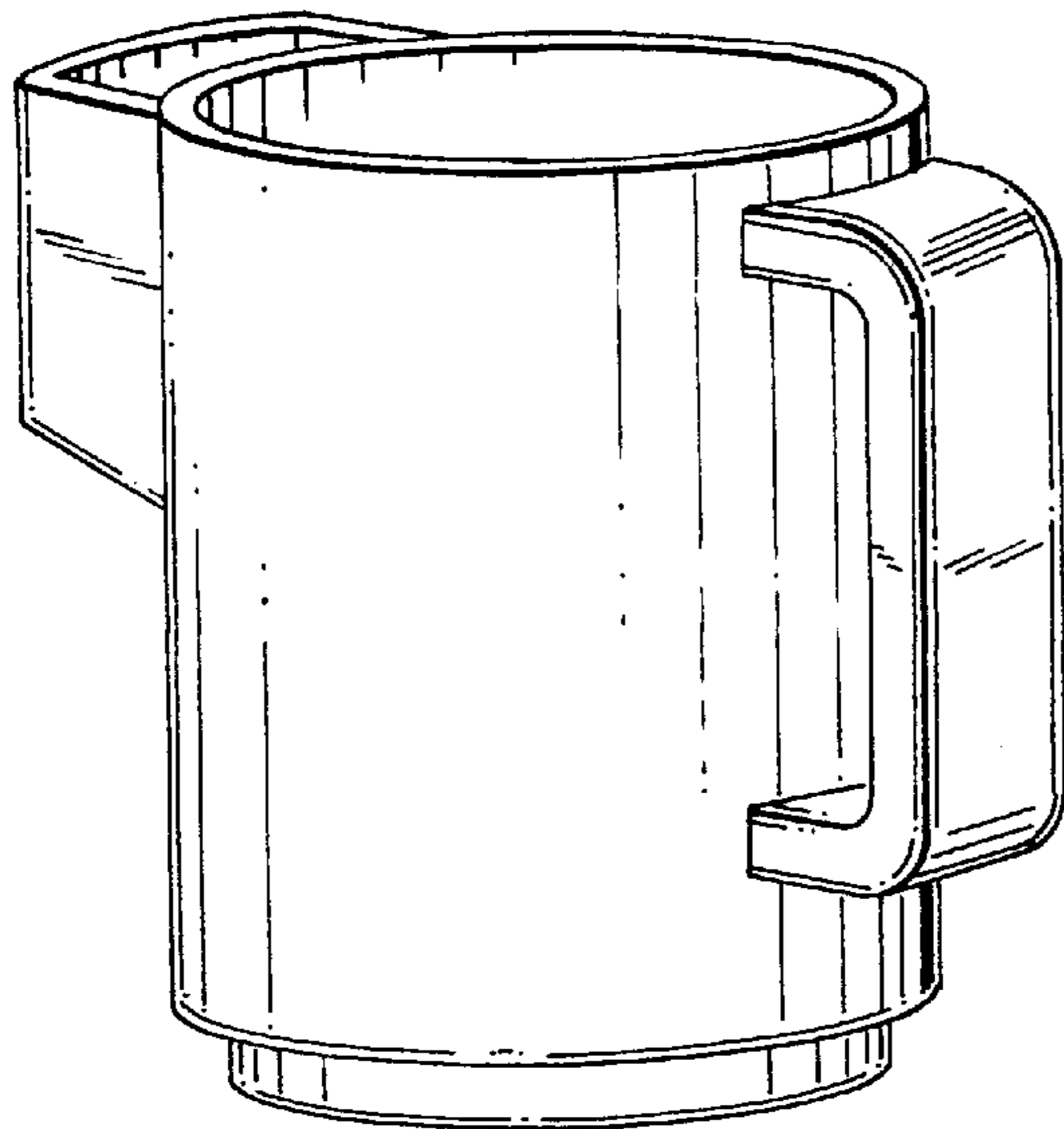
[57] **CLAIM**

The ornamental design for a self contained tea cup, as shown and described.

DESCRIPTION

FIG. 1 is a perspective view of a self contained tea cup showing my new design;
FIG. 2 is a top plan view thereof;
FIG. 3 is a bottom plan view thereof;
FIG. 4 is a rear elevational view thereof;
FIG. 5 is a front elevational view thereof; and,
FIG. 6 is a side elevational view thereof;
The broken line showing in FIG. 4 is for illustrative purposes only and forms no part of the claimed design.

1 Claim, 1 Drawing Sheet



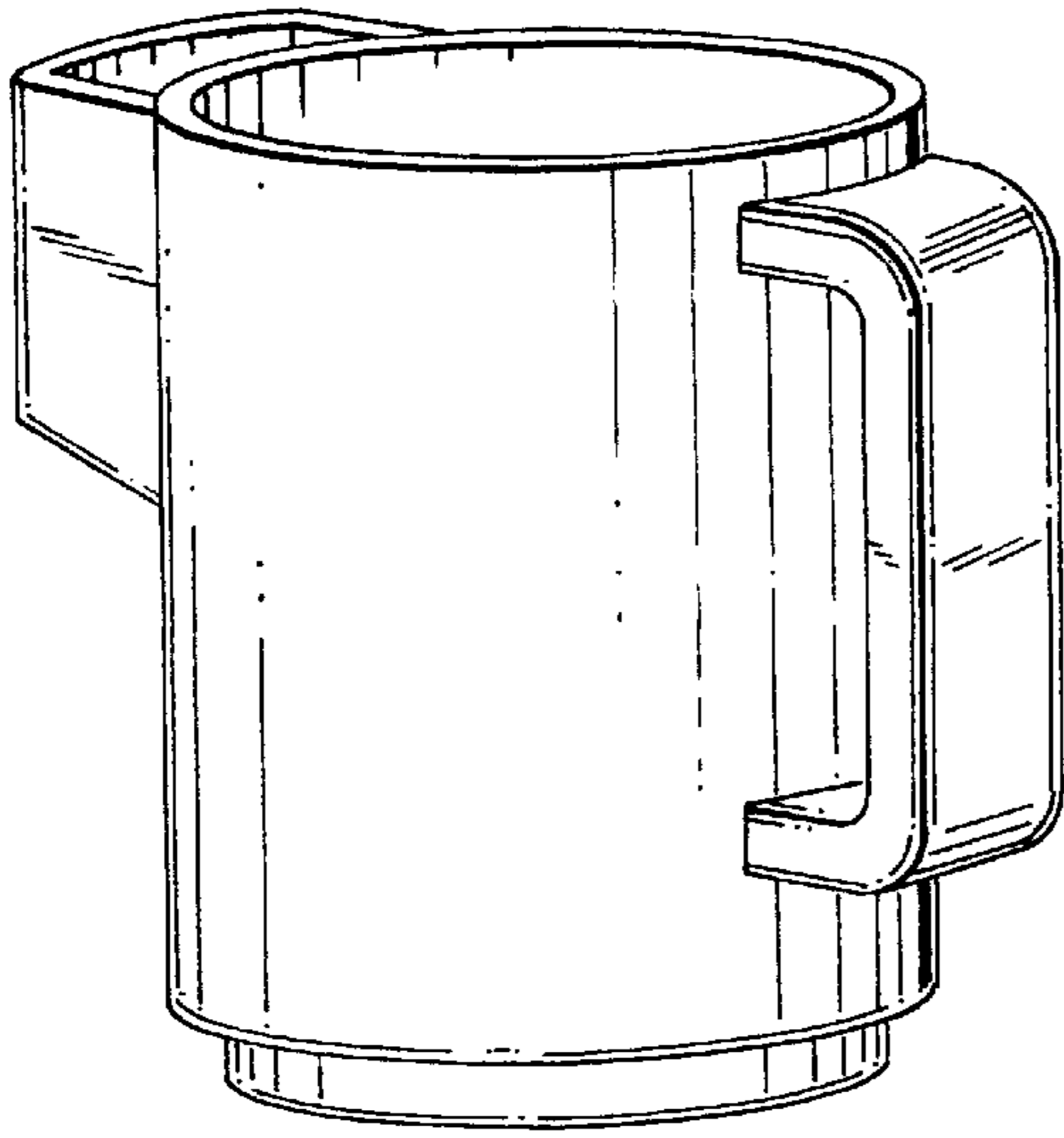


FIG. 1

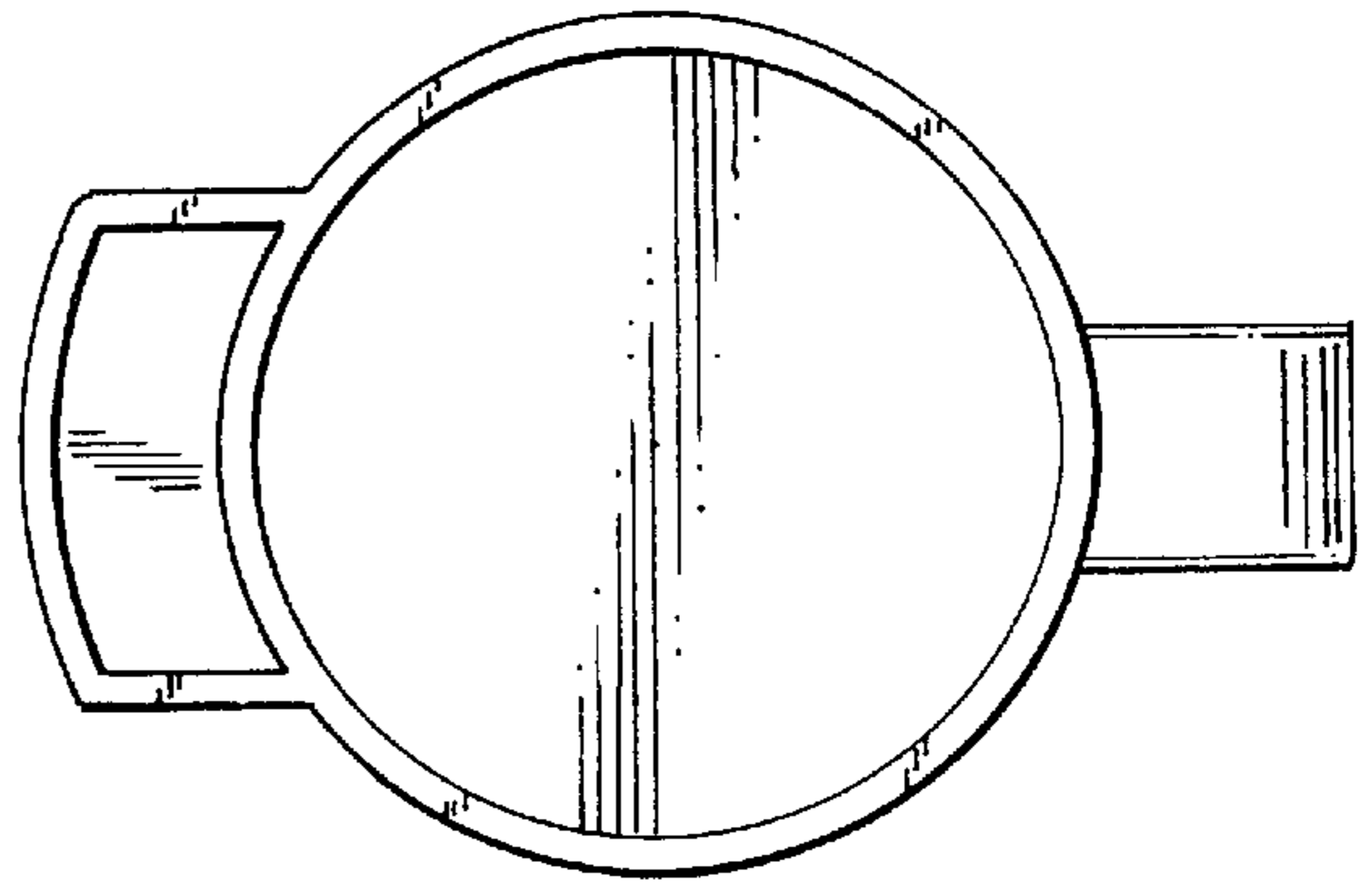


FIG. 2

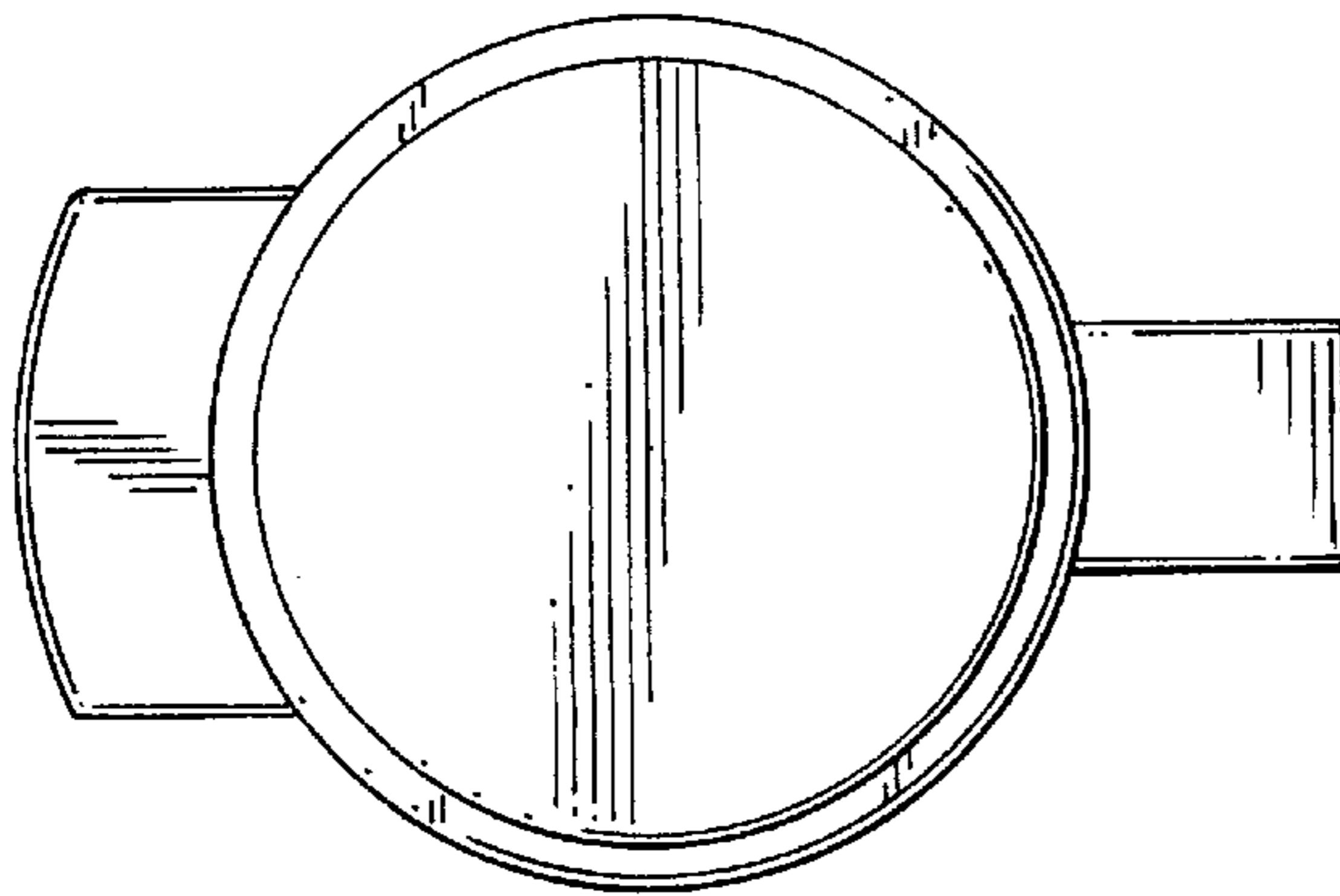


FIG. 3

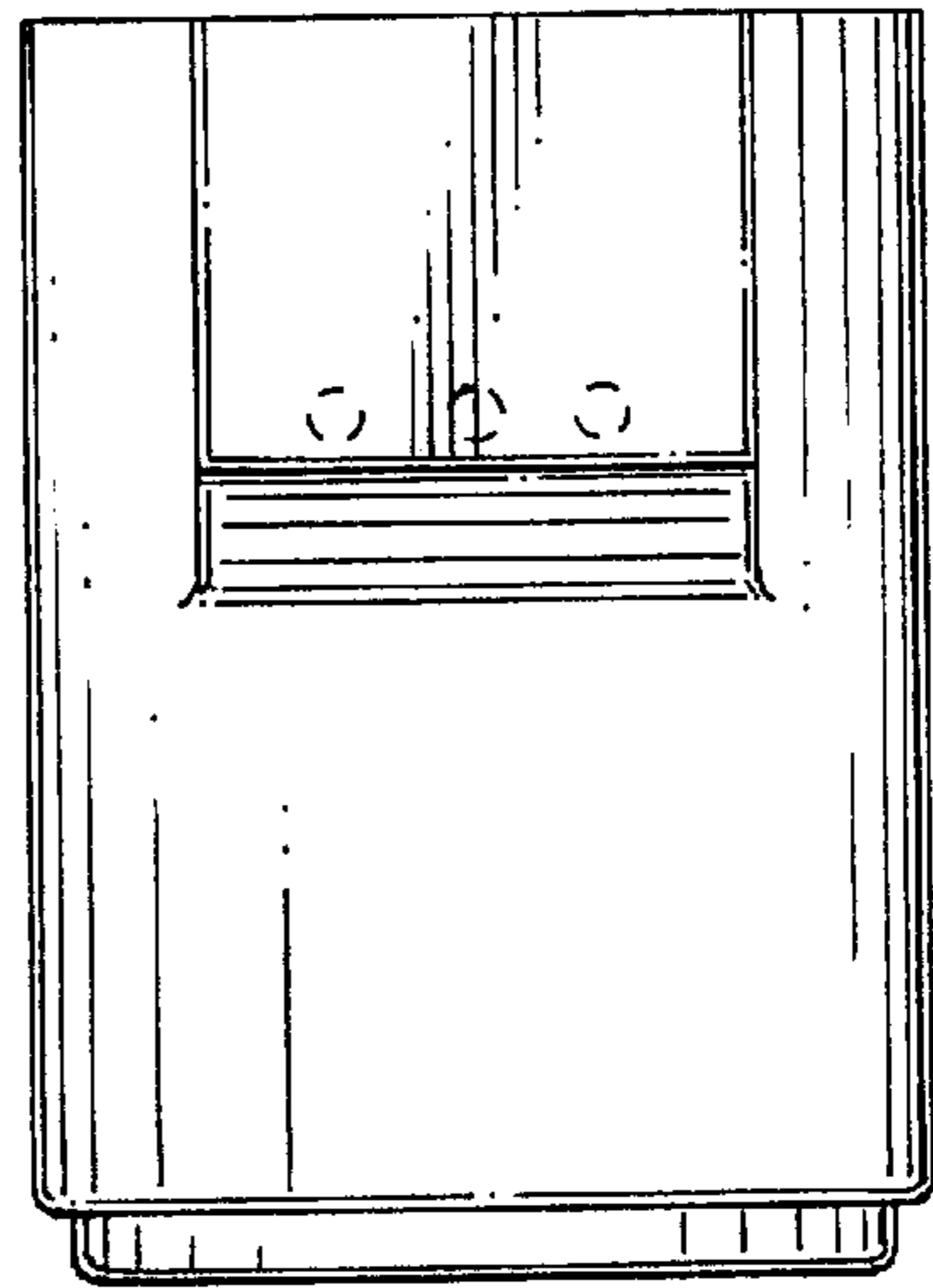


FIG. 4

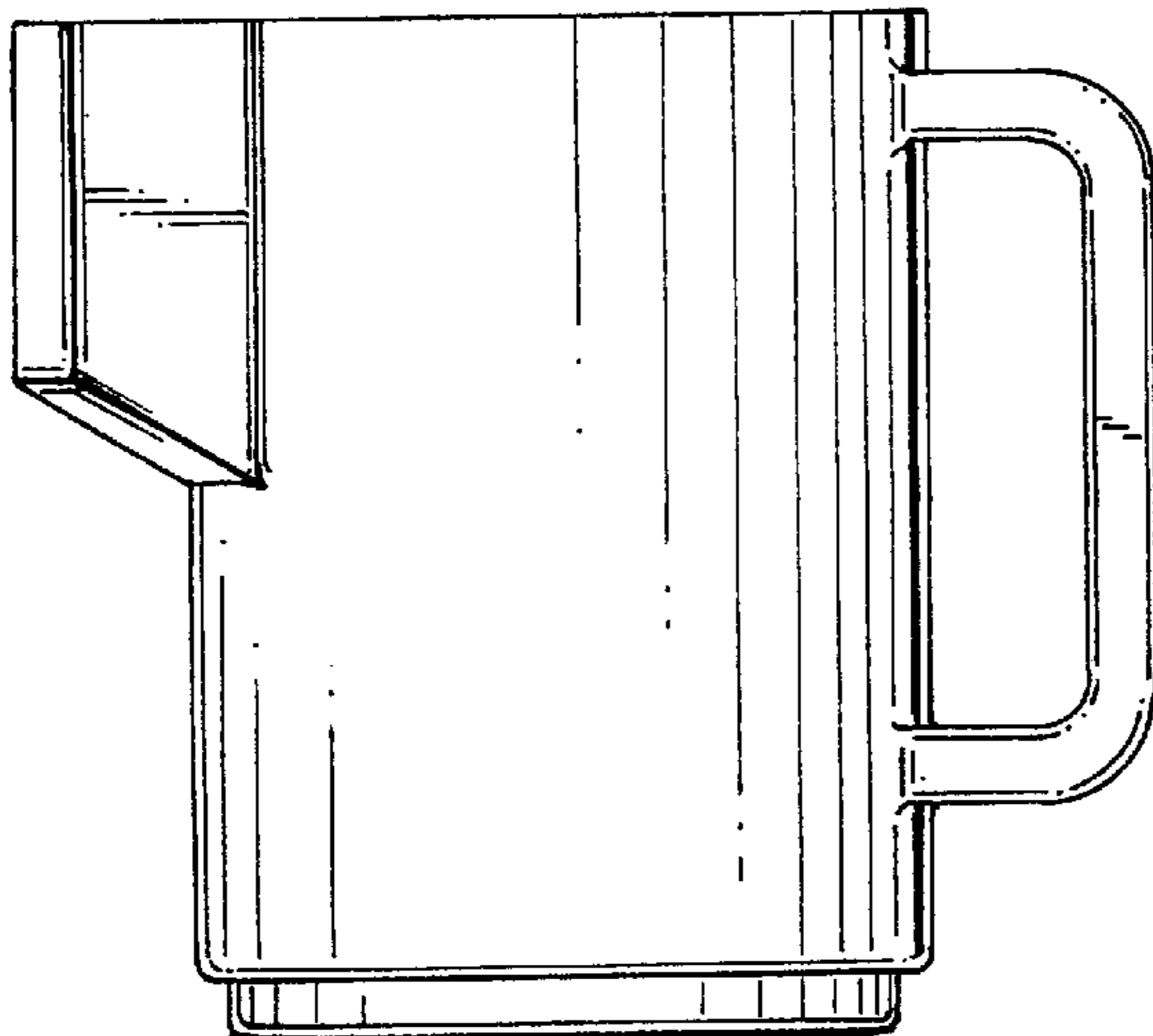


FIG. 6

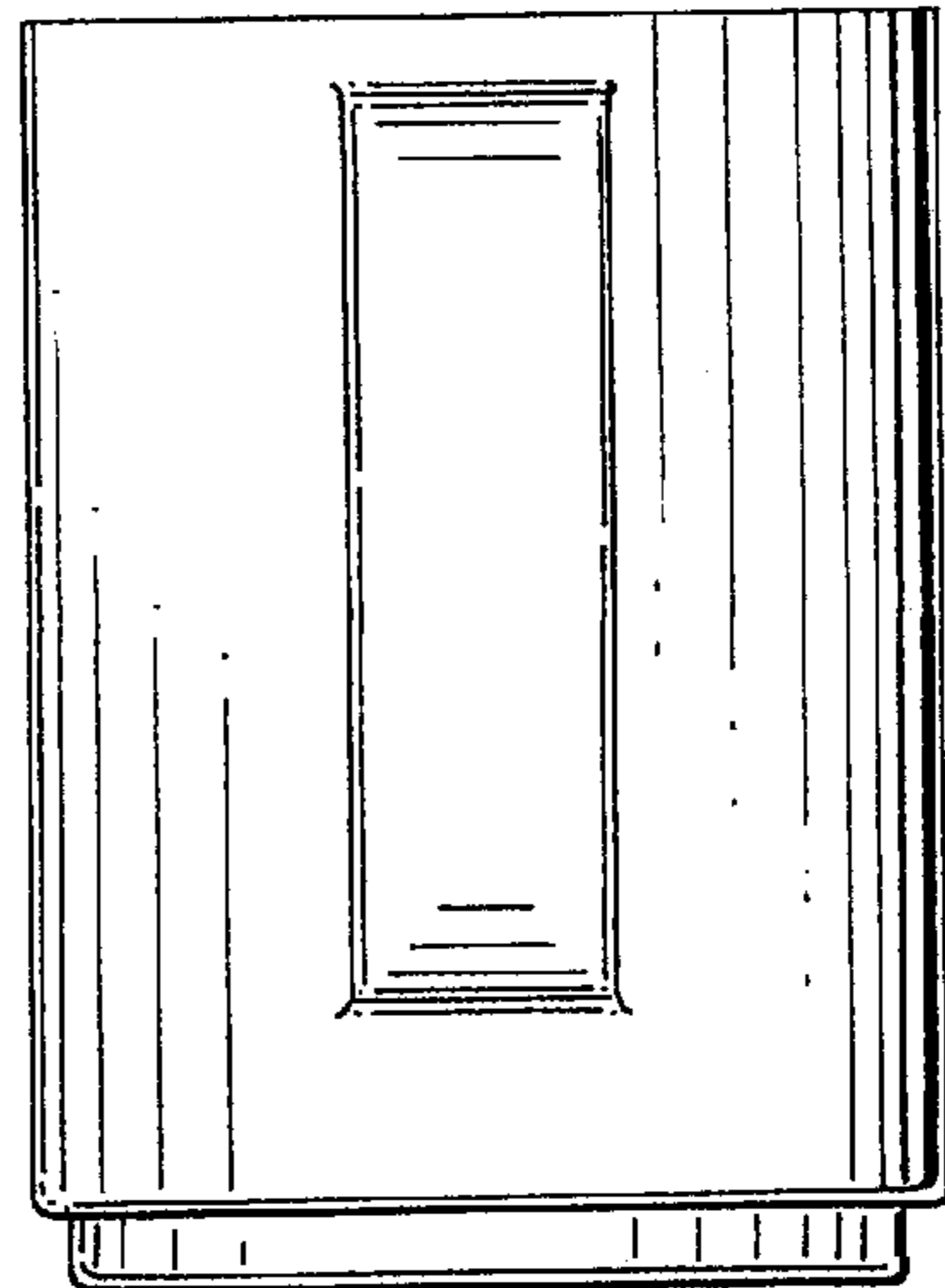


FIG. 5