



US00D404236S

# United States Patent [19]

Bergwall et al.

[11] Patent Number: **Des. 404,236**

[45] Date of Patent: **\*\*Jan. 19, 1999**

[54] **WORK-FLOORMAT MADE OF RUBBER**

348,782 9/1886 Sawyer ..... D6/582  
5,212,842 5/1993 Glydon ..... 5/417

[75] Inventors: **Ulf Anders Bergwall**, Karlstad;  
**Thomas Ulf Persson**, Sunne, both of  
Sweden

*Primary Examiner*—Lisa Lichtenstein  
*Attorney, Agent, or Firm*—Jacobson, Price, Holman &  
Stern, PLLC

[73] Assignee: **Nolato Sunnex Equipment AB**, Sunne,  
Sweden

[57] **CLAIM**

[\*\*] Term: **14 Years**

The ornamental design for a work-floormat made of rubber,  
as shown.

[21] Appl. No.: **75,218**

**DESCRIPTION**

[22] Filed: **Aug. 21, 1997**

FIG. 1 is a top perspective view showing my new design for  
a work-floormat made of rubber;

[30] **Foreign Application Priority Data**

Feb. 24, 1997 [SE] Sweden ..... 97-0431

FIG. 2 is an enlarged cross-sectional view taken along lines  
1—1 of FIG. 1;

[51] **LOC (6) Cl.** ..... **06-11**

FIG. 3 is an enlarged cross-sectional view taken along lines  
2—2 of FIG. 1;

[52] **U.S. Cl.** ..... **D6/582**

[58] **Field of Search** ..... D6/582, 583, 595,  
D6/596; 15/215, 216, 217; 5/417-420,  
902

FIG. 4 is an enlarged cross-sectional view taken along lines  
3—3 of FIG. 1;

[56] **References Cited**

FIG. 5 is an enlarged cross-sectional view taken along lines  
4—4 of FIG. 1; and

**U.S. PATENT DOCUMENTS**

FIG. 6 is a bottom perspective view thereof.

D. 222,101 9/1971 Gordon ..... D6/583

**1 Claim, 2 Drawing Sheets**

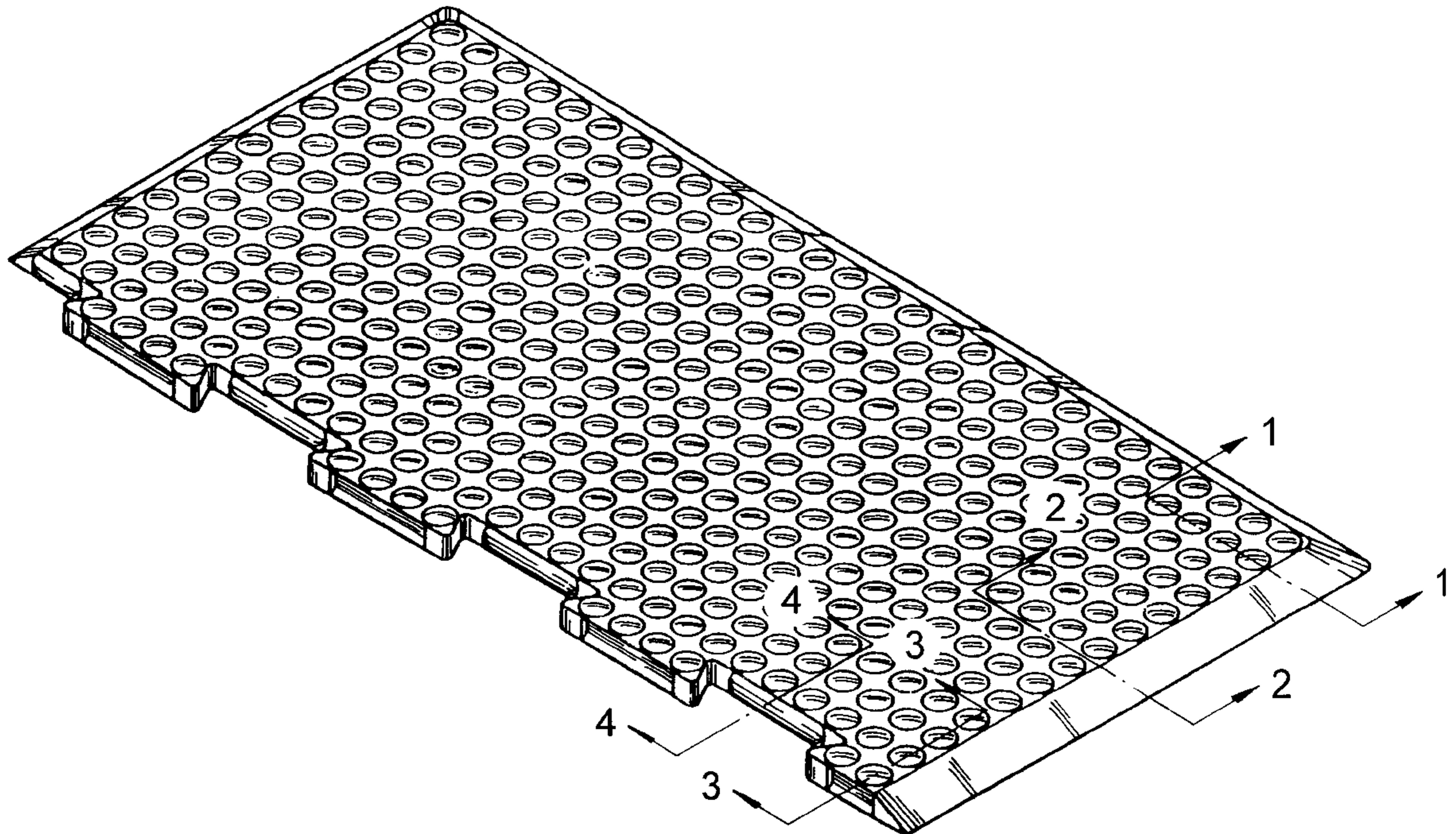


FIG. 2



FIG. 3



FIG. 1

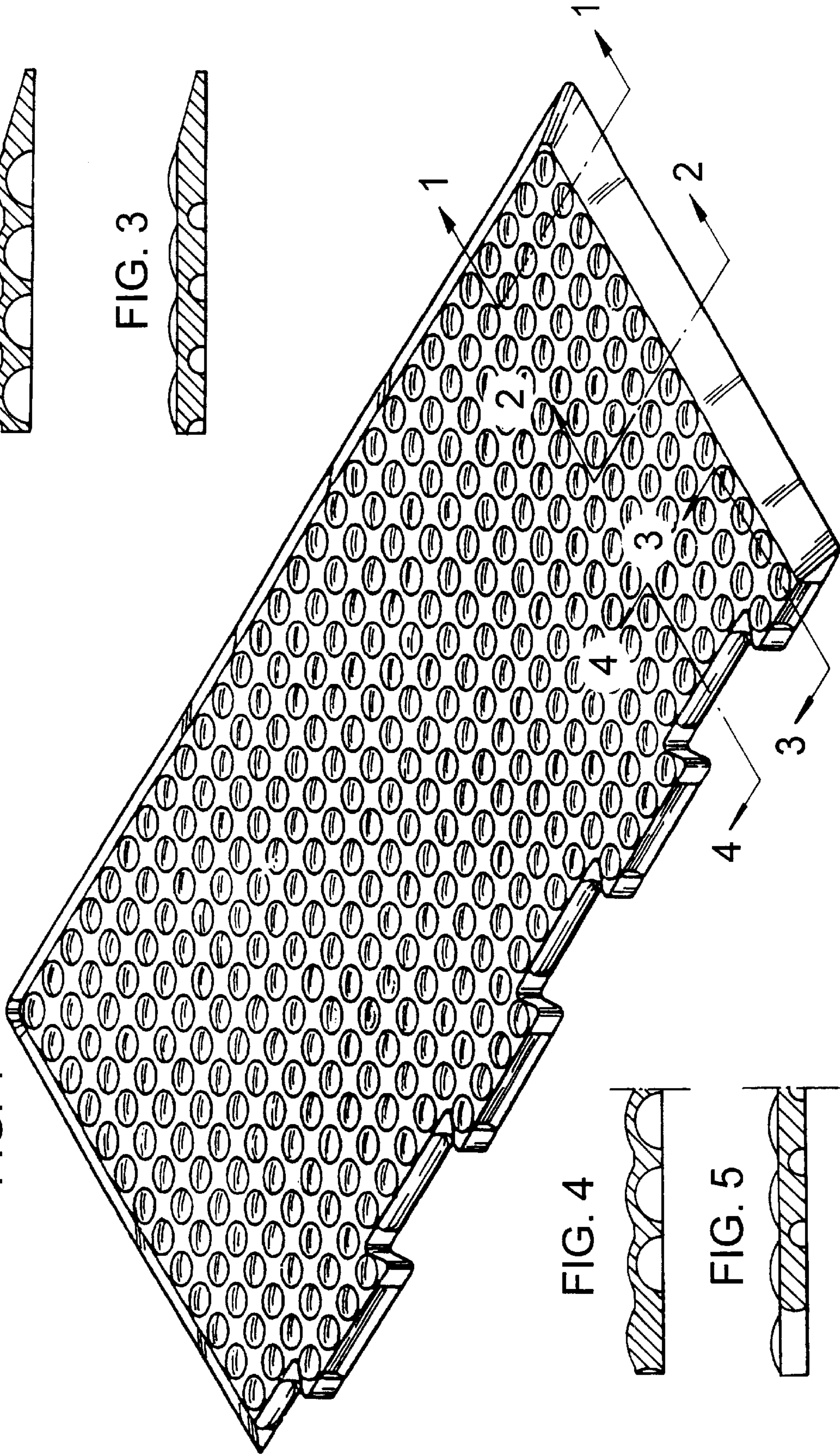


FIG. 4

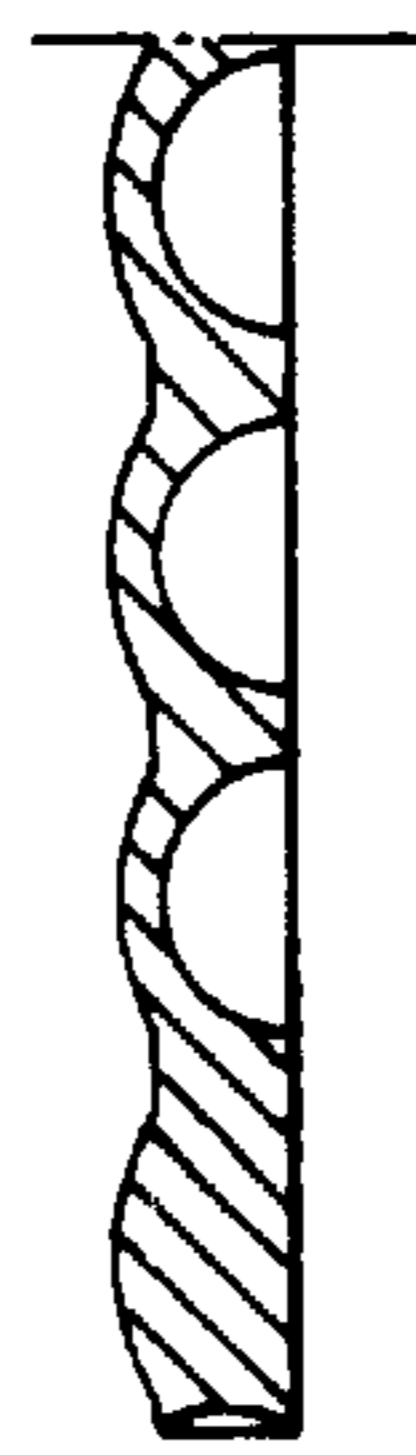


FIG. 5



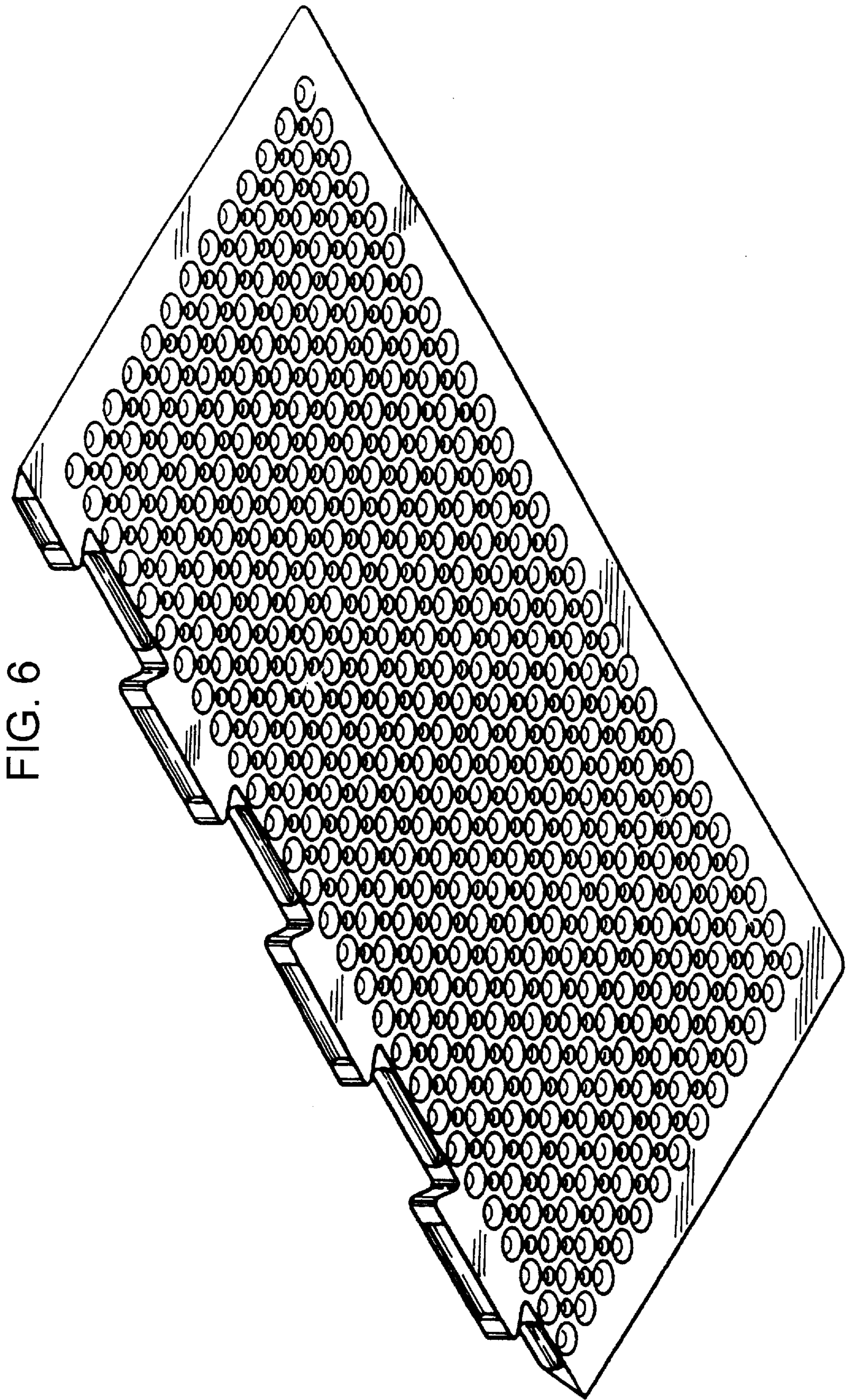


FIG. 6