

US00D404235S

# United States Patent [19]

Vassar

[11] **Patent Number: Des. 404,235**

[45] **Date of Patent: \*\*Jan. 19, 1999**

[54] **BUCKLE HOLDER**

[76] Inventor: **Harold R. Vassar**, 3205 Goddard Rd. SW., Tenino, Wash. 98589

[\*\*] Term: **14 Years**

[21] Appl. No.: **81,421**

[22] Filed: **Dec. 5, 1997**

[51] **LOC (6) Cl. .... 08-08**

[52] **U.S. Cl. .... D6/553**

[58] **Field of Search .... D6/553, 567, 569; 211/60.1, 13.1, 87-89; 248/309.1**

[56] **References Cited**

**U.S. PATENT DOCUMENTS**

260,450	7/1882	Cahoone .	
D. 260,851	9/1981	Parker .....	D6/553 X
D. 372,290	7/1996	Lloyd-Morris et al. ....	D6/553
D. 387,232	12/1997	Lloyd-Morris .....	D6/553
2,366,085	12/1944	Brothers .	
2,598,614	5/1952	Gilbert .	
2,985,346	5/1961	Meeker .	
3,028,013	4/1962	Cotey .	
4,453,655	6/1984	Smilow .	

4,629,073	12/1986	Belden .....	211/60.1
4,874,100	10/1989	Smagula .	
5,487,473	1/1996	Ford .	
5,642,817	7/1997	O'Brien .	

*Primary Examiner*—Brian N. Vinson  
*Attorney, Agent, or Firm*—Brian J. Coyne

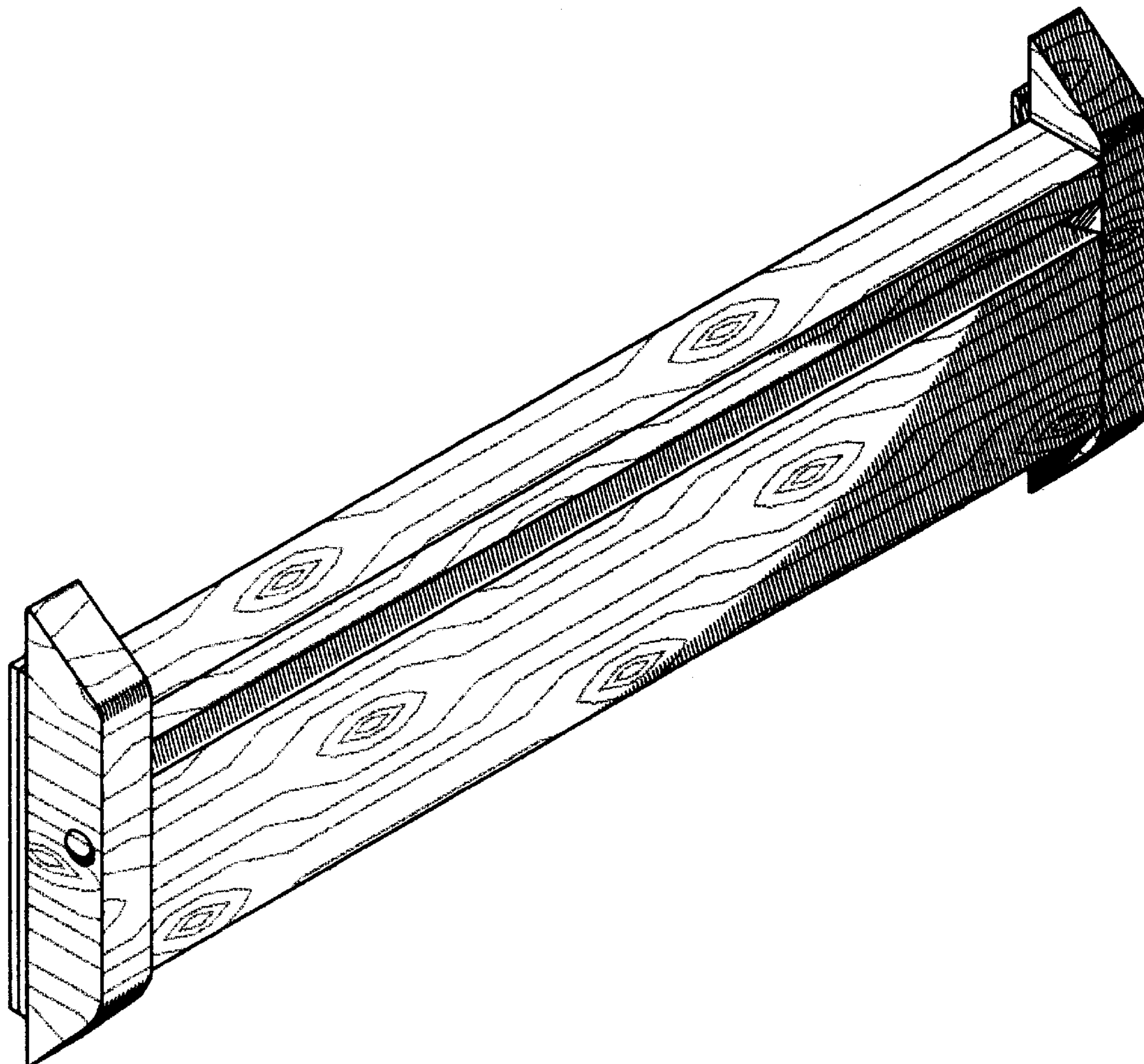
[57] **CLAIM**

The ornamental design for a buckle holder, as shown and described.

**DESCRIPTION**

FIG. 1 is a frontal perspective view of my buckle holder; FIG. 2 is a top plan view thereof; FIG. 3 is a bottom plan view thereof; FIG. 4 is a left side elevational view thereof; FIG. 5 is a right side elevational view thereof; FIG. 6 is a front elevational view thereof; FIG. 7 is rear elevational view thereof; and, FIG. 8 is a front elevational view of my buckle holder shown attached to a vertical wall surface (depicted in dashed outline), and showing three western-style buckles and a belt strap (depicted in phantom) mounted for storage and display in a horizontal slot thereof.

**1 Claim, 8 Drawing Sheets**



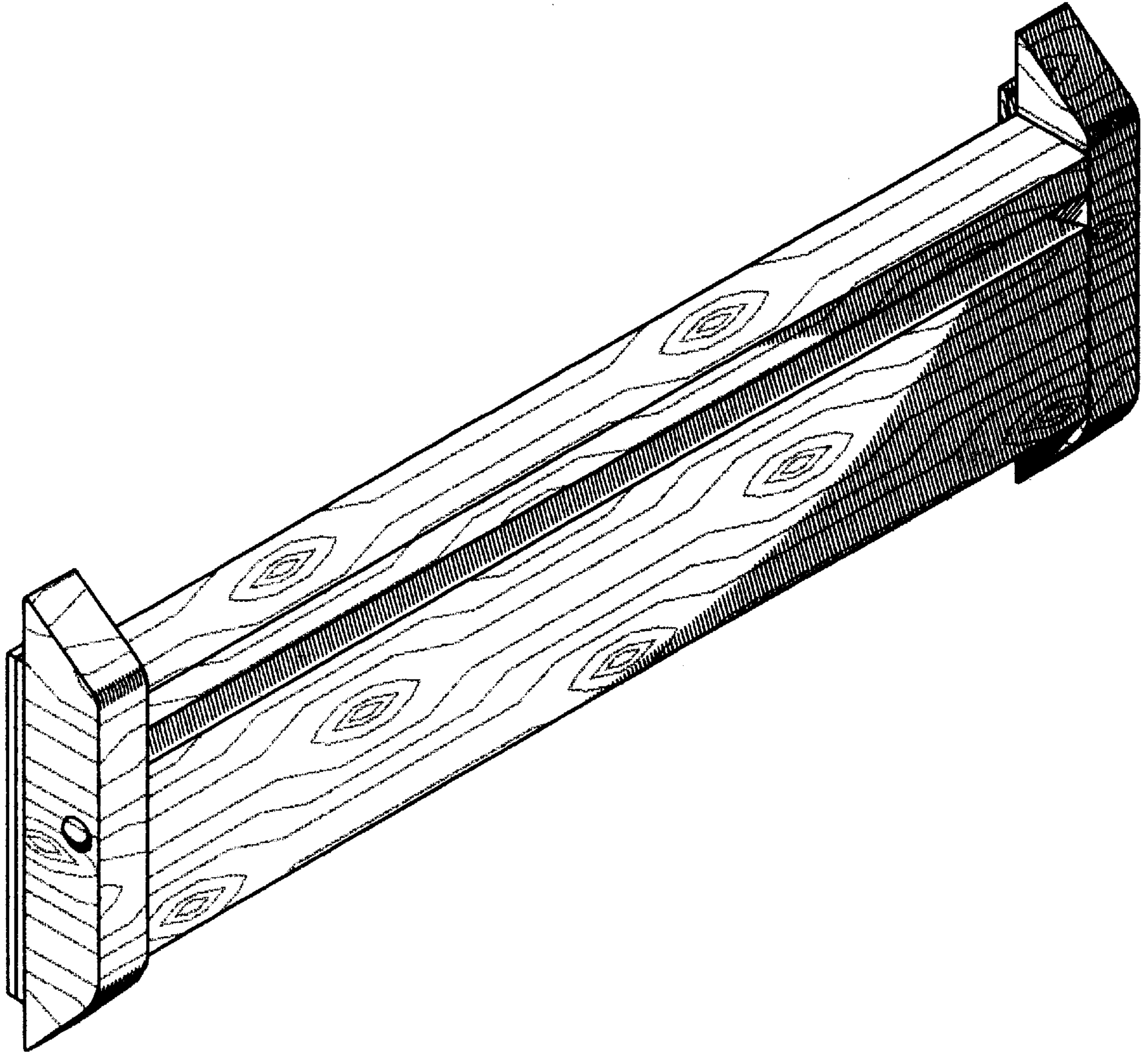


FIG. 1

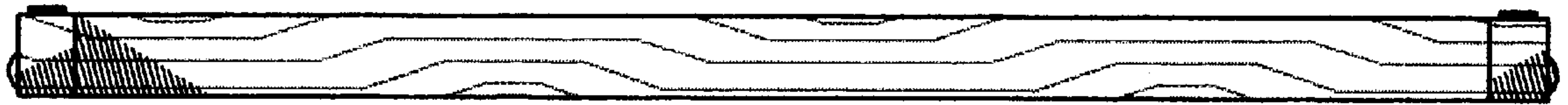


FIG. 2

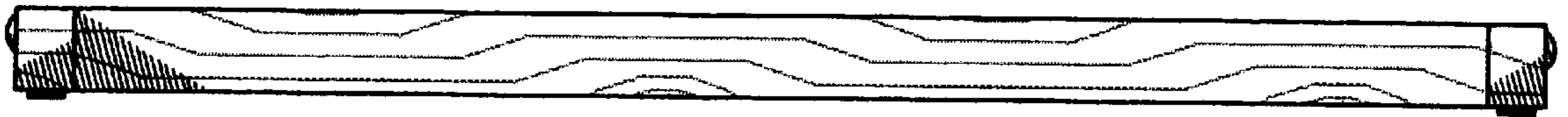


FIG. 3



FIG. 4



FIG. 5



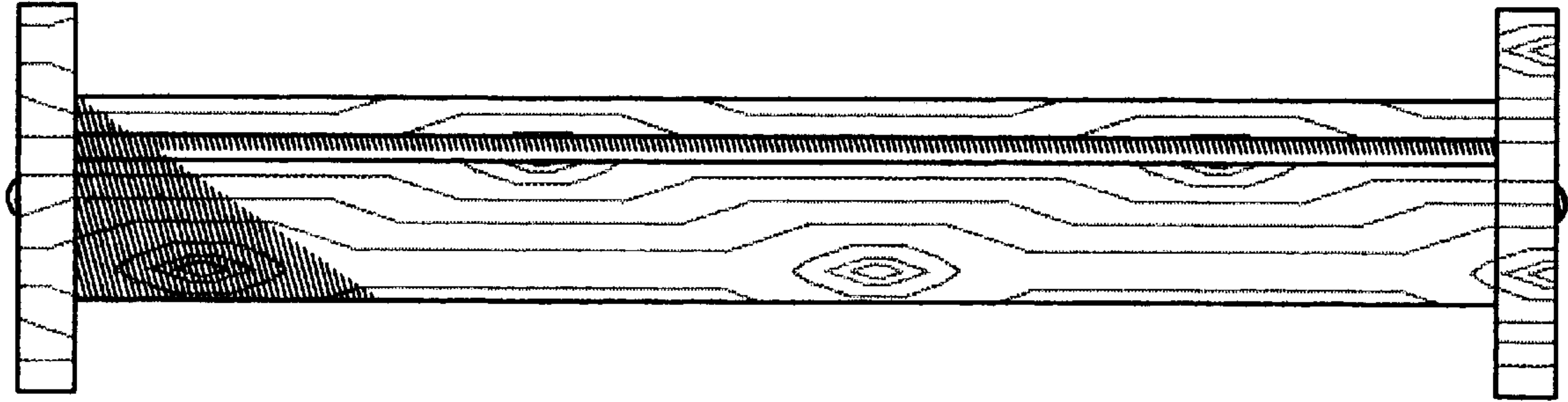


FIG. 6

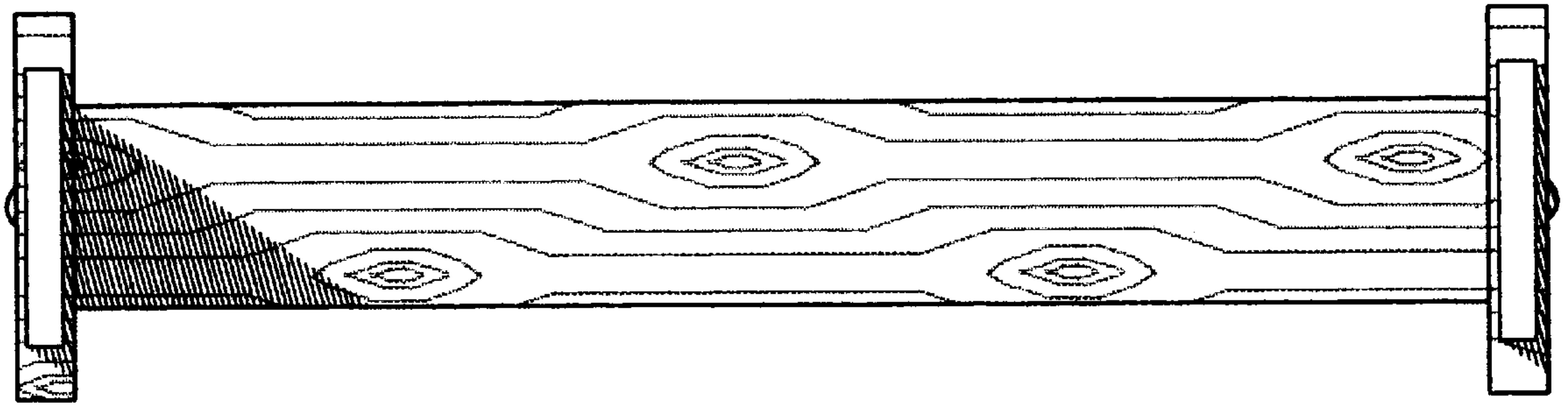


FIG. 7



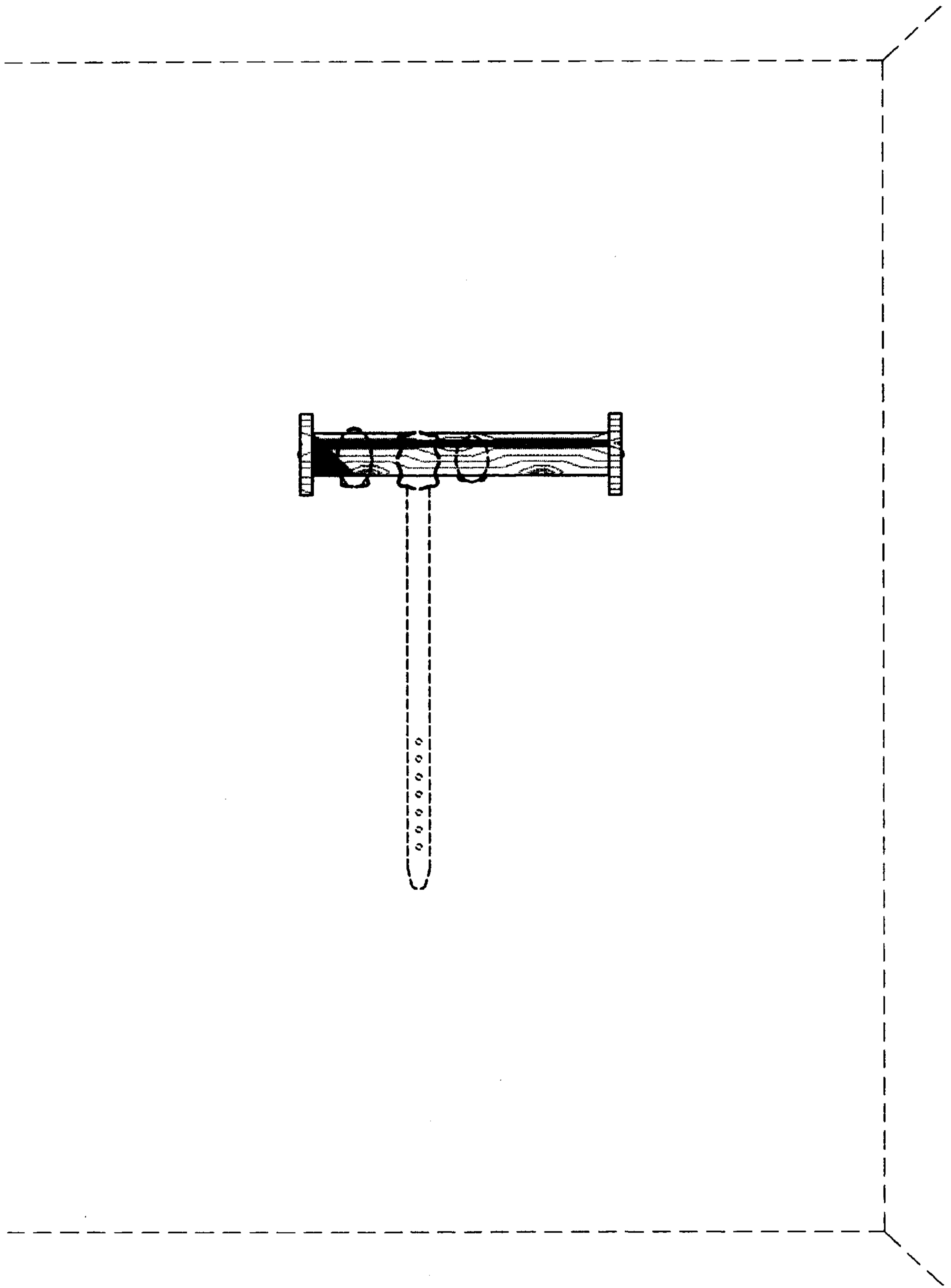


FIG. 8